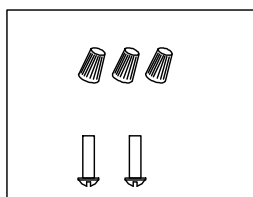
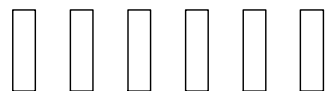
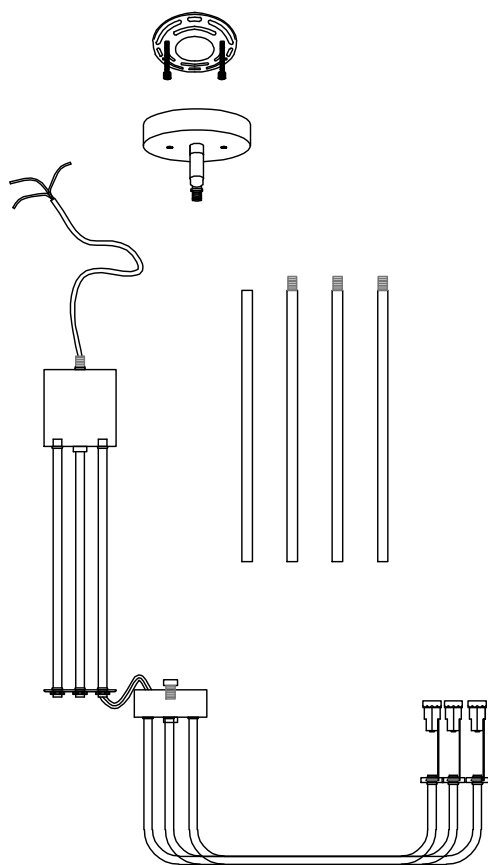
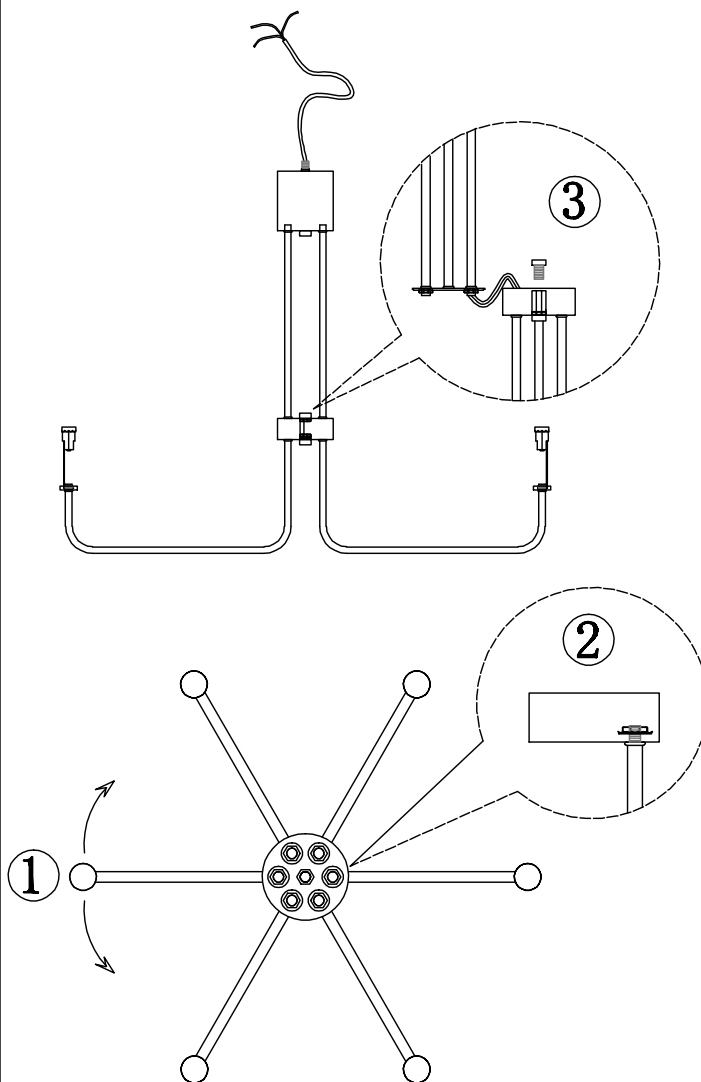


Parts

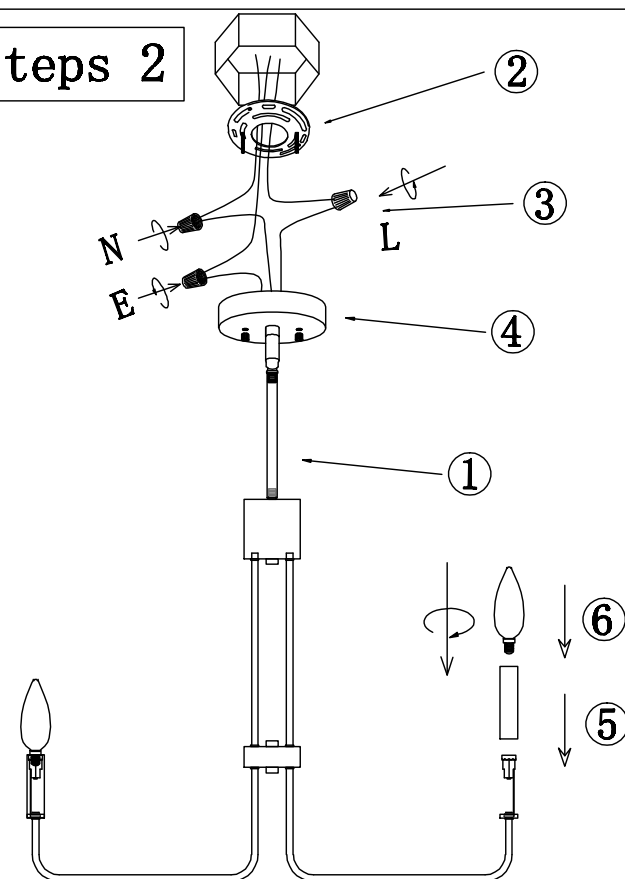


Steps 1



1. Adjust the positions of the six lamp arms evenly as shown in the figure.
2. Find one of the loose lamp arms and tighten it with a nut.
3. Release the flat-headed nut, and then connect the lamp body to the hardware middle column and fix it through the flat head nut. (Be careful not to press the wire.)

Steps 2



1. Get through the lamp wire to the hanging rod, and screw hanging rod to the light fixture. Get through the lamp wire to the canopy, and screw the canopy to the hanging rod.
(Install the hanging rod according to the length of the hanging rod you need)
2. Assembled the mounting bracket to the ceiling junction box with the screw
3. Connect the power cord out from the ceiling junction to lamp wires with the lead wire and wire nut. According wire color to connect. (black for "L", white for "N", copper wire for "Ground E")
4. Assemble the canopy to the mounting bracket by tightening the ball nuts
5. Put the lamp tube on the lamp holder.
6. Install the bulb. Bulbs need to be purchased separately.