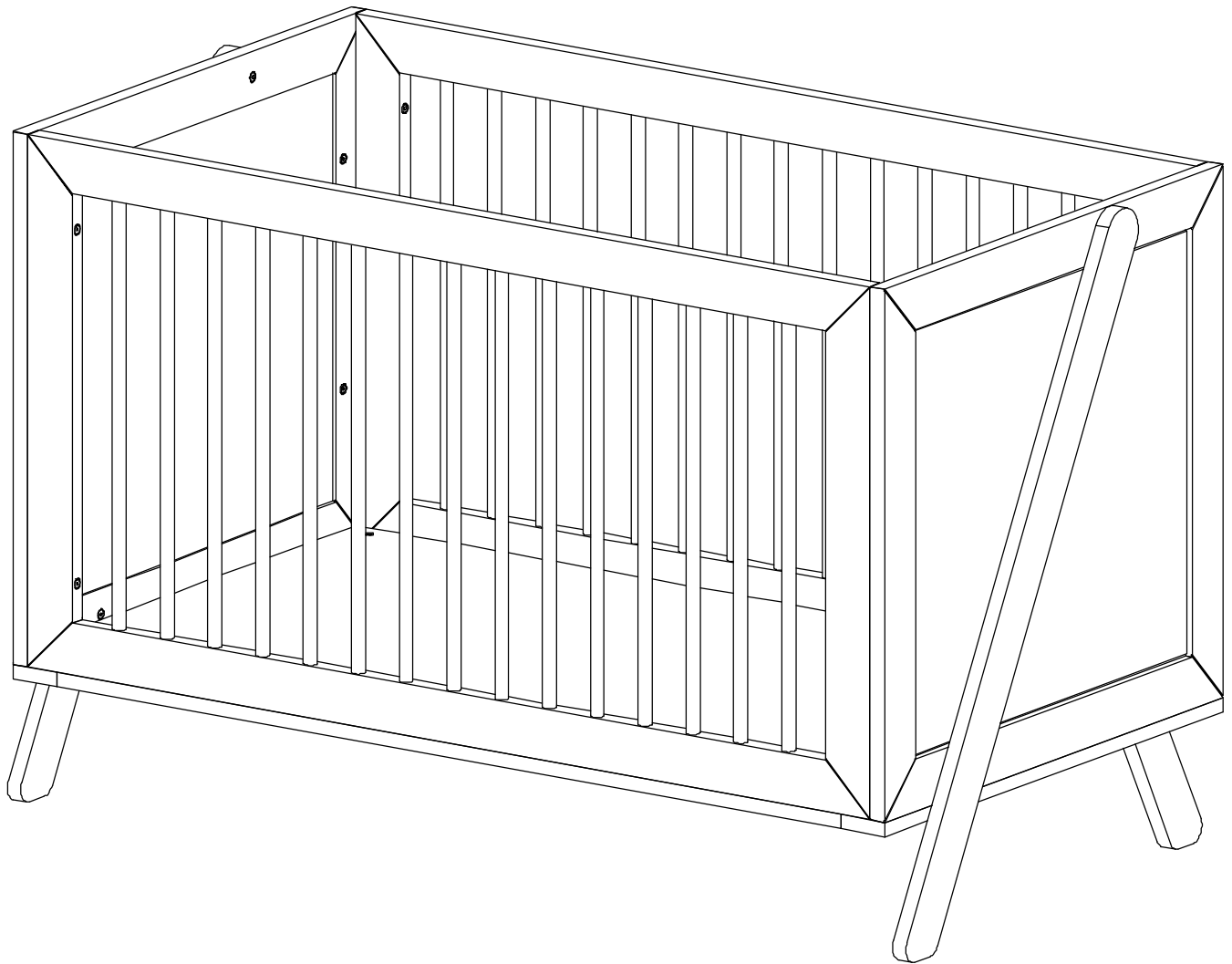


INSTRUCTION MANUAL



EN



Before You Start

- ⚠ Please read all instructions carefully.
- ⚠ Retain instructions for future reference.
- ⚠ Separate and count all parts and hardware.
- ⚠ Read through each step carefully and follow the proper order.
- ⚠ We recommend that, where possible, all items are assembled near to the area in which they will be placed in use, to avoid moving the product unnecessarily once assembled.
- ⚠ Always place the product on a flat, steady and stable surface.
- ⚠ Keep all small parts and packaging materials for this product away from babies and children as they potentially pose a serious choking hazard.

FR



Avant de Commencer

- ⚠ Veuillez lire attentivement toutes les instructions.
- ⚠ Conservez les instructions pour vous y référer ultérieurement.
- ⚠ Vérifiez toutes les pièces et les accessoires.
- ⚠ Lisez attentivement chaque étape et suivez l'ordre correct.
- ⚠ Nous recommandons que, dans la mesure du possible, tous les produits soient assemblés à proximité de la zone où ils seront utilisés, afin d'éviter tout déplacement inutile du produit une fois assemblé.
- ⚠ Placez toujours le produit sur une surface plane et stable.
- ⚠ Conservez toutes les petites pièces de ce produit et les matériaux d'emballage hors de portée des bébés et des enfants, car ils pourraient présenter un risque d'étouffement.

EN: • The manufacturer's assembly instructions must be followed in detail to ensure the safety features of the crib are not compromise.

- To clean surface, use only water on a damp cloth. Do not use window cleaners or cleaning abrasives as it will scratch the surface and could damage the protective coating.
- Read all instructions before assembling crib. Keep instructions for future use.
- Never use plastic shipping bags or other plastic film as mattress covers because they can cause suffocation.
- Infants can suffocate in gaps between crib sides and a mattress that is too small.

FR: • Les instructions d'assemblage du fabricant doivent être suivies en détail pour s'assurer que les caractéristiques de sécurité du lit de bébé ne sont pas compromises.

- Pour nettoyer la surface, utilisez uniquement de l'eau sur un chiffon humide. N'utilisez pas de nettoyeurs pour vitres ou de produits abrasifs, car ils égratigneraient la surface et pourraient endommager le revêtement protecteur.
- Lisez toutes les instructions avant d'assembler le lit d'enfant. Conservez les instructions pour une utilisation ultérieure.
- N'utilisez jamais de sacs d'expédition en plastique ou d'autres films en plastique comme housses de matelas, car ils peuvent provoquer une suffocation.
- Les nourrissons peuvent suffoquer dans les espaces entre les côtés du lit et un matelas trop petit.

 **WARNING**

FALL AND SUFFOCATION HAZARD

To reduce the risk of SIDS, pediatricians recommend healthy infants be placed on their backs to sleep, unless otherwise advised by your physician.

Strangulation Hazard:

*Strings can cause strangulation! Do not place items with a string around a child's neck, such as hood strings or pacifier cords. Do not suspend strings over a crib or attach string to toys.

*To help prevent strangulation tighten all fasteners. A child can trap parts of the body or clothing on loose fasteners.

*DO NOT place crib near window where cords from blinds or drapes may strangle a child.

*Infant can suffocate on soft bedding . Never add a pillow or comforter. Never place an additional padding under an infant.

 **WARNING**

FALL AND SUFFOCATION HAZARD

Fall Hazard:

*When the child is able to pull themselves to a standing position, adjust the mattress to its lowest setting and remove bumper pads, large toys, and other objects that could be used as steps for climbing out.

*Stop using crib when child begins to climb out or reaches the height of 35 in. (89cm).

 **WARNING**

FALL AND SUFFOCATION HAZARD

Failure to follow these warnings and assembly instructions could result in serious injury or death.

Before and after assembly, and frequently during use, check this product for damaged hardware, loose joints, loose bolts or other fasteners, missing parts, or sharp edges.

Ensure all loose bolts and other fasteners are securely tightened.

Do not use the crib if any parts are missing, damaged, or broken. Contact Goplus Corp. for replacement parts and instructional literature if needed.

Do not substitute any parts.

FR

 **AVERTISSEMENT**

RISQUE DE CHUTE ET DE SUFFOCATION

Pour réduire le risque de mort subite du nourrisson, les pédiatres recommandent de coucher les enfants en bonne santé sur le dos pour dormir, sauf avis contraire du médecin.

Risque de Strangulation :

*Les ficelles peuvent provoquer une strangulation ! Ne placez pas d'objets munis d'une ficelle autour du cou de l'enfant, tels que les cordons de capuche ou de sucette. Ne suspendez pas de ficelles au-dessus d'un lit d'enfant et n'attachez pas de ficelles à des jouets.

*Pour éviter la strangulation, serrez toutes les attaches. Un enfant peut coincer des parties de son corps ou de ses vêtements dans des attaches mal serrées.

*NE PAS placer le lit d'enfant près d'une fenêtre où les cordons des stores ou des rideaux peuvent étrangler l'enfant.

 AVERTISSEMENT

RISQUE DE CHUTE ET DE SUFFOCATION

Risque de Chute :

*Lorsque l'enfant est capable de se mettre debout, placez le matelas dans la position la plus basse et retirez les bordures de protection, les gros jouets et autres objets qui pourraient servir de marchepieds pour sortir du lit.

*Cessez d'utiliser le lit lorsque l'enfant commence à grimper ou atteint une hauteur de 35" (89 cm).

 AVERTISSEMENT

RISQUE DE CHUTE ET DE SUFFOCATION

Le non-respect de ces avertissements et des instructions d'assemblage peut entraîner des blessures graves, voire mortelles.

Vérifiez que ce produit ne présente pas d'accessoires endommagés, de joints desserrés, de boulons ou autres fixations mal serrés, de pièces manquantes ou d'arêtes vives avant et après l'assemblage et fréquemment pendant l'utilisation. Serrez fermement les boulons et autres fixations desserrés. NE PAS utiliser le lit d'enfant si des pièces sont manquantes, endommagées ou cassées. Contactez Goplus Corp pour obtenir des pièces de rechange et de la documentation d'instruction si nécessaire. NE PAS remplacer les pièces.



ASSEMBLY INSTRUCTIONS

Carefully unpack all the components and verify that all the necessary parts are included as listed in the packaging.

Identify each component and refer to the provided assembly diagram or step-by-step instructions.

Assemble the furniture in the order specified to ensure proper alignment and fit.

Use the provided tools or recommended tools for assembly. Do not use excessive force when tightening screws or bolts.

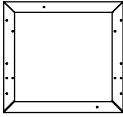
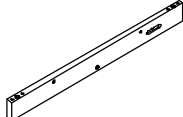
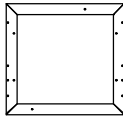
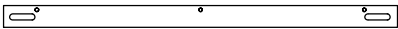
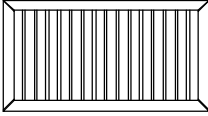



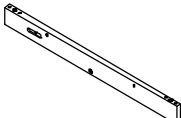

If any difficulties arise during assembly, consult the troubleshooting section or contact our customer support.

Tools Required



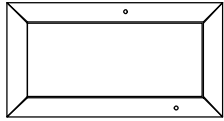



Wrench Tool

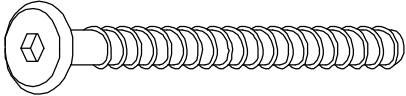

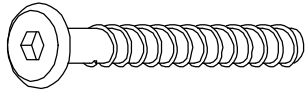
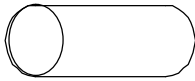
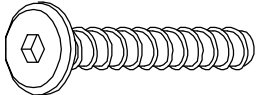

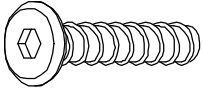

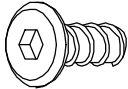

Board Parts List

NO.	PICTURE	QTY	NO.	PICTURE	QTY
1.	 Headboard	1	6.	 Frame Footboard	1
2.	 Footboard	1	7.	 Frame Support	2
3.	 Crib Rail	2	8.	 Short Leg	2
4.	 Mattress Base	1	9.	 Headboard Leg	1
5.	 Frame Headboard	1	10.	 Footboard Leg	1

Board Parts List

NO.	PICTURE	QTY	NO.	PICTURE	QTY
11.	 Bedside Rail	2	13.	 Mini Footboard Leg	1
12.	 Mini Footboard	1	14.	 Bedguard	1

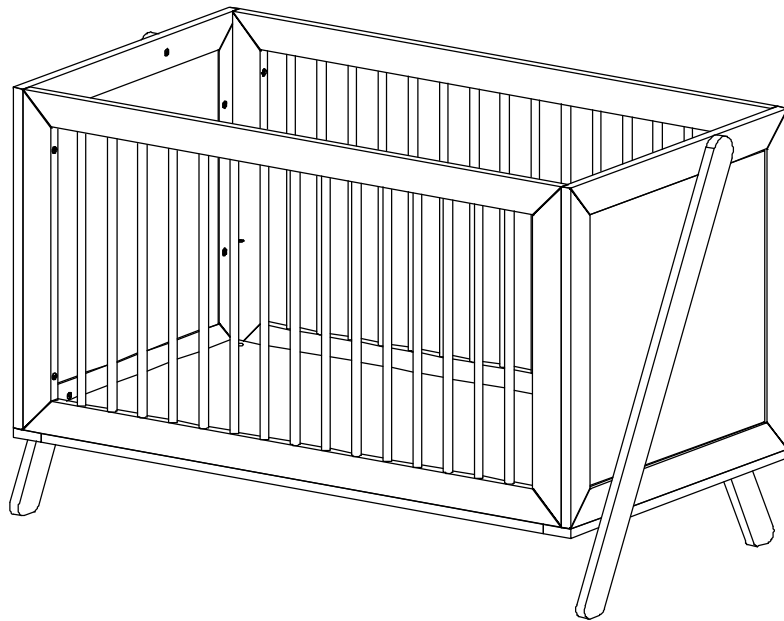
Hardware Parts List

NO.	PICTURE	QTY	NO.	PICTURE	QTY
A.	 80mm Allen Head Bolt	8	F.	 Mattress Pin	4
B.	 65mm Allen Head Bolt	8	G.	 Wood Dowel	8
C.	 40mm Allen Head Bolt	6	H.	 Spring Washer	42
D.	 35mm Allen Head Bolt	16	I.	 Washer	42
E.	 15mm Allen Head Bolt	12	J.	 Allen Wrench	1



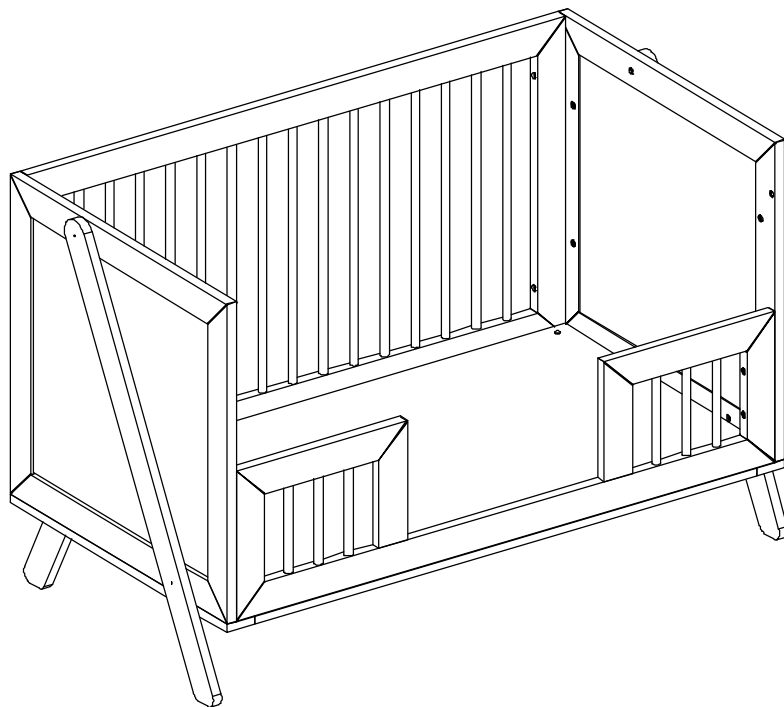
METHOD A - BABY COT

PAGE 10 ~ 14



METHOD B - ADD ON BEDGUARD

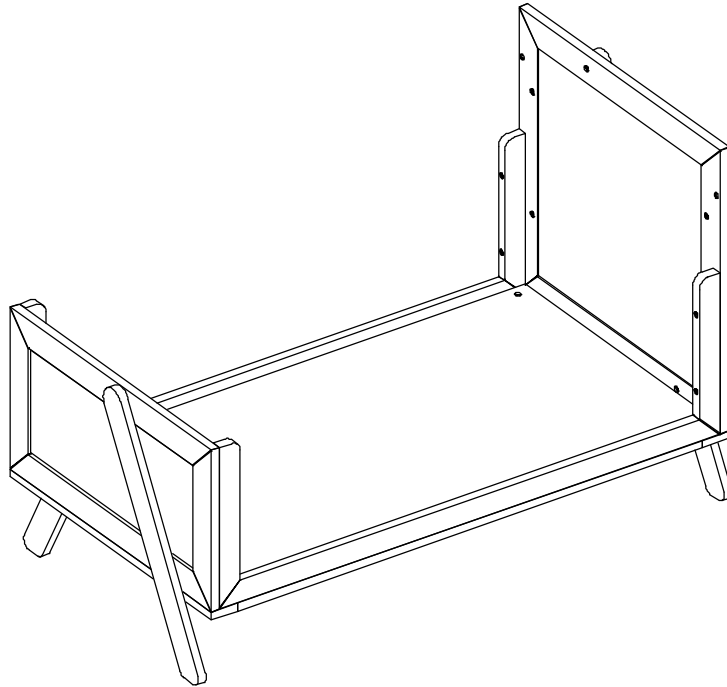
PAGE 15





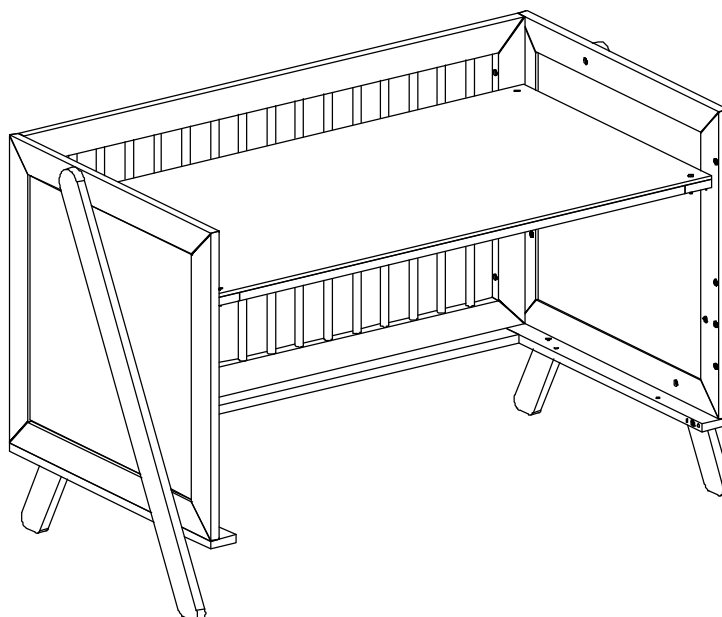
METHOD C - CONVERT TO TODDLER BED

PAGE 16 ~ 20



METHOD D - CONVERT TO DESK

PAGE 21 ~ 24



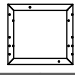

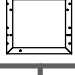

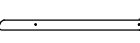
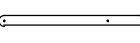

ASSEMBLY INSTRUCTIONS

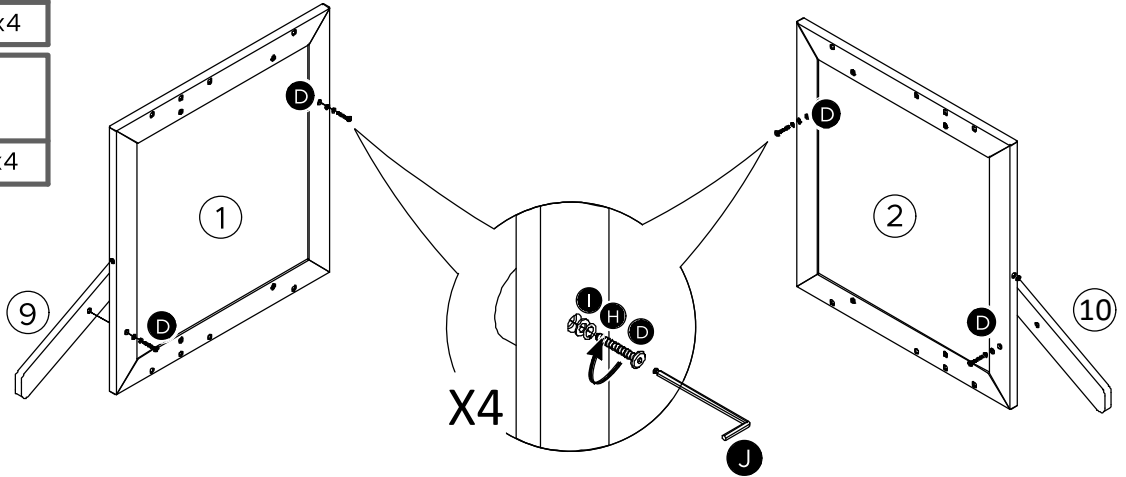
METHOD A - BABY COT

ASSEMBLY BABY COT

STEP 1

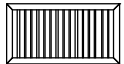


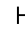

NOTE: Headboard "1" and headboard Legs "9" assembly.
Headboard "2" and headboard Legs "10" assembly.

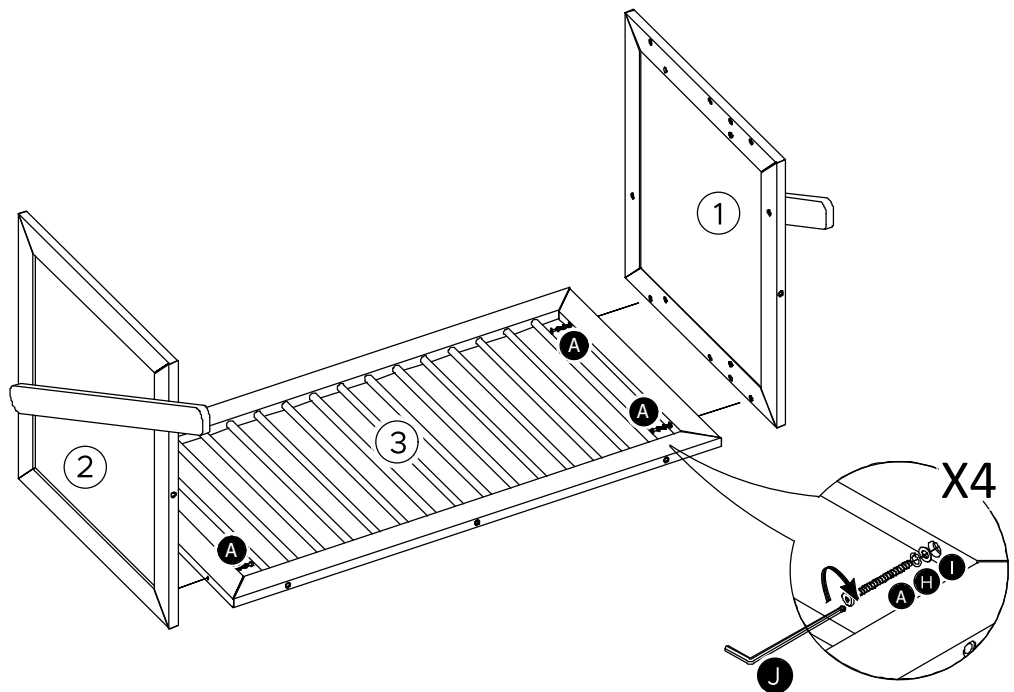
			
1	x1	H	x4
			
2	x1	I	x4
			
9	x1		
			
10	x1		
			
D	x4		



STEP 2

NOTE: Attach Headboard & Footboard "1 & 2" to side Crib Rail "3".

			
3	x1		
			
A	x4		
			
C			
			
H	x4		
			
I	x4		

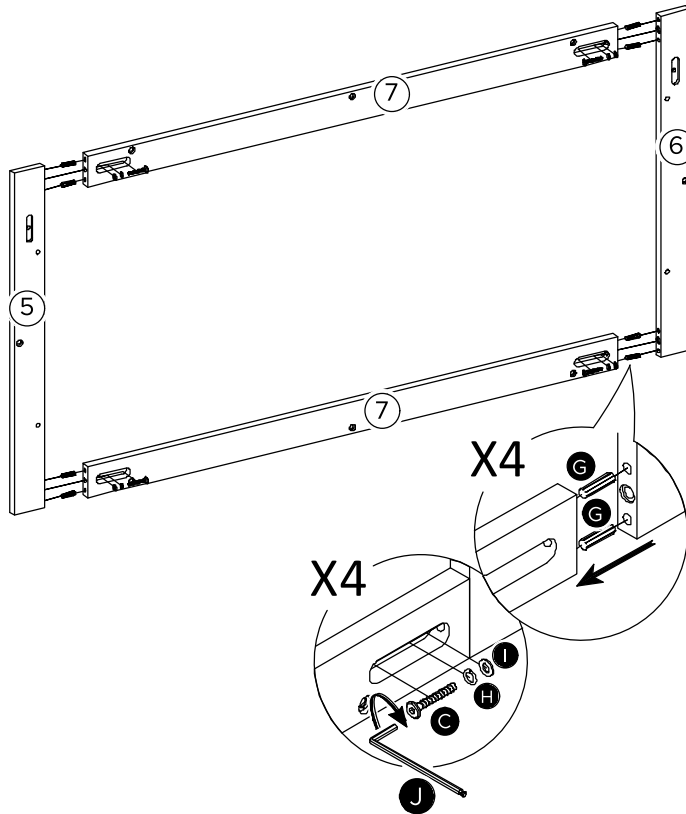




ASSEMBLY INSTRUCTIONS

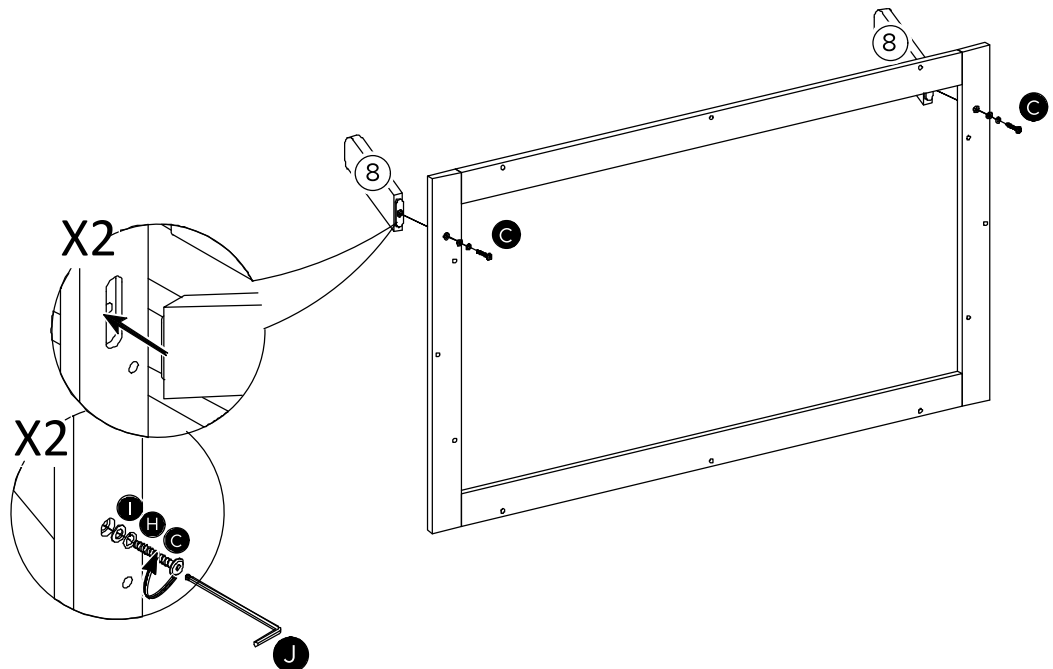
STEP 3 NOTE: Frame Headboard "5", Frame Footboard "6" and Frame supports "7" assembly.

5	x1
6	x1
7	x2
C	x4
G	x8



STEP 4 NOTE: Frame base and Leg "8" assembly.

8	x2
C	x2
H	x2
I	x2



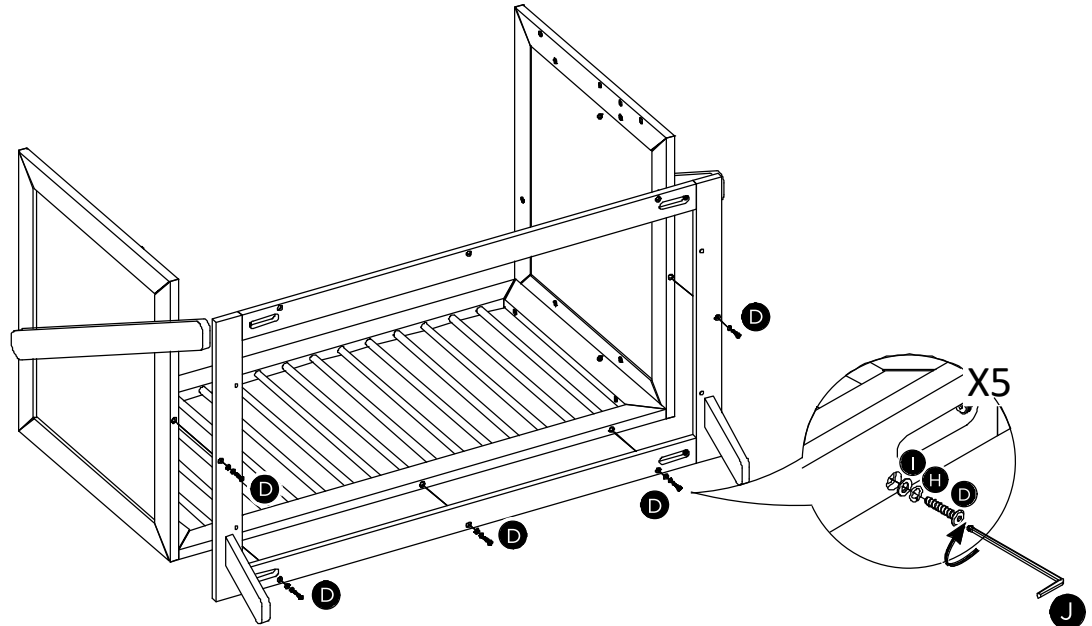


ASSEMBLY INSTRUCTIONS

STEP 5

NOTE: Attach cot assembly to base frame.

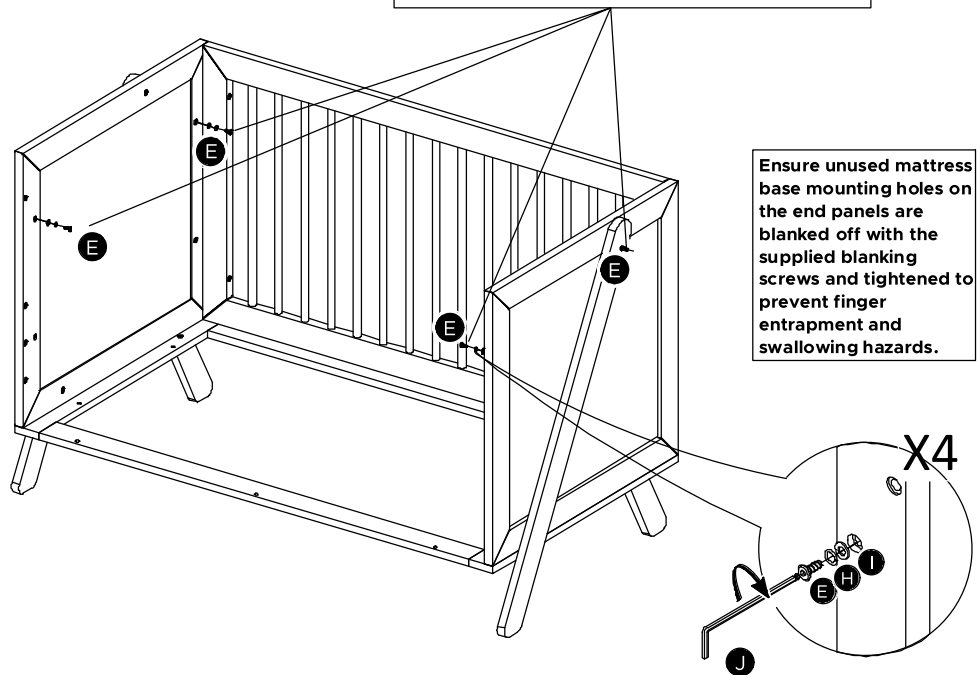
D	x5
H	x5
I	x5



STEP 6

WARNING ⚠ :
 These 4 holes are only used to assemble the mattress base as a table.
 It can only be used at the table level.
DO NOT use this level when it is a baby cot.

E	x4
H	x4
I	x4





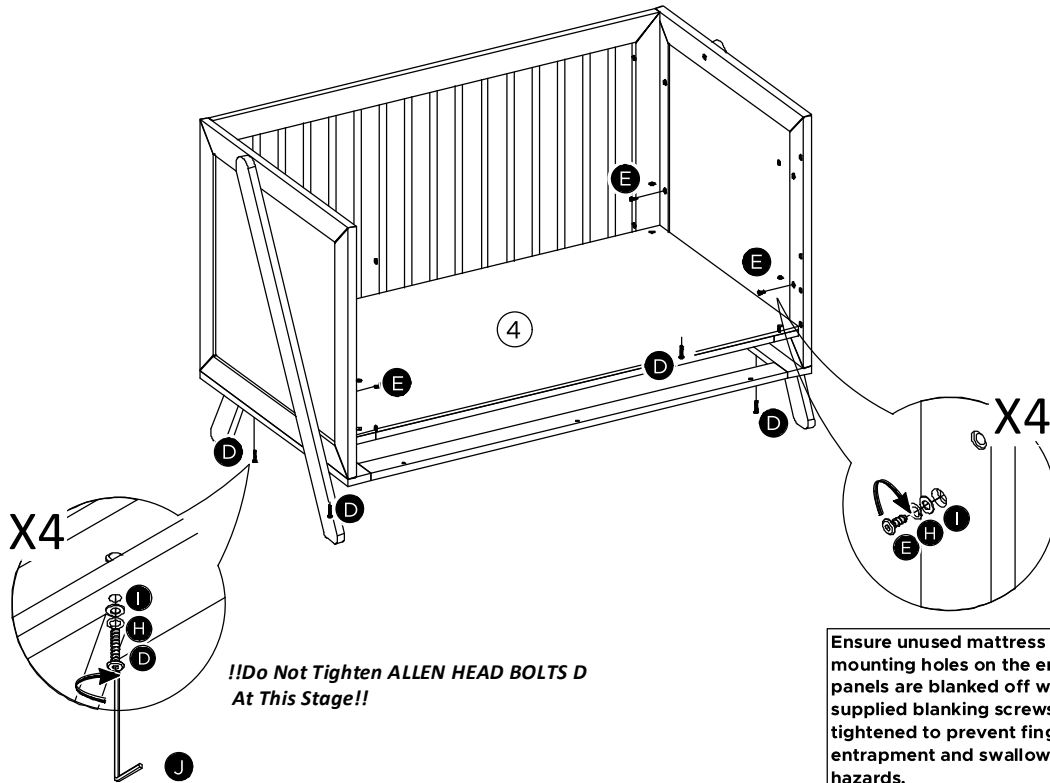
ASSEMBLY INSTRUCTIONS

STEP 7

LOWEST POSITION

NOTE:
Choose mattress base position.
Attach mattress base to cot assembly.

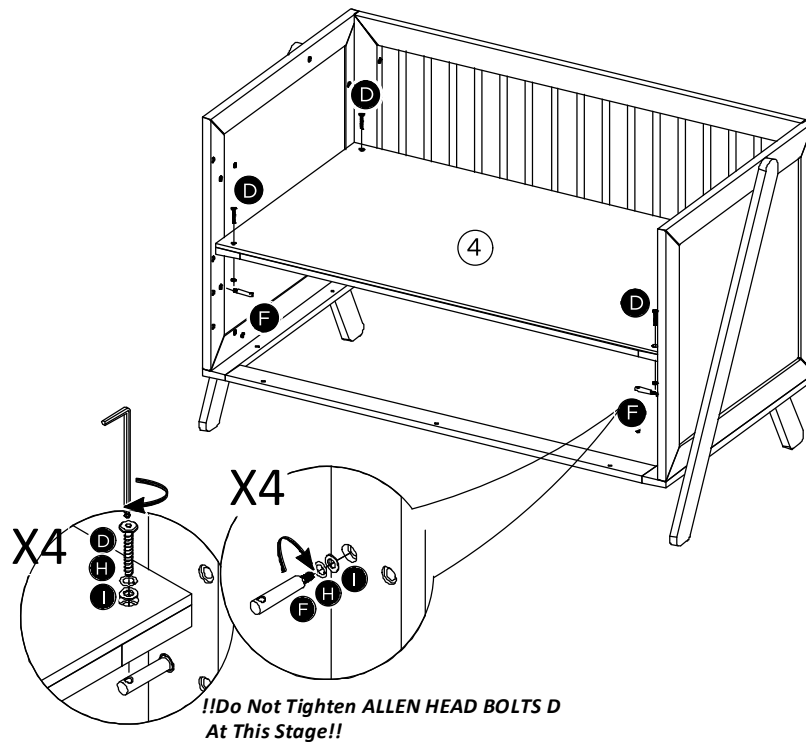
	4	x1
	D	x4
	E	x4
	H	x8
	I	x8



HIGHEST POSITION

NOTE:
Choose mattress base position.
Attach mattress base to cot assembly.

	4	x1
	D	x4
	F	x4
	H	x8
	I	x8



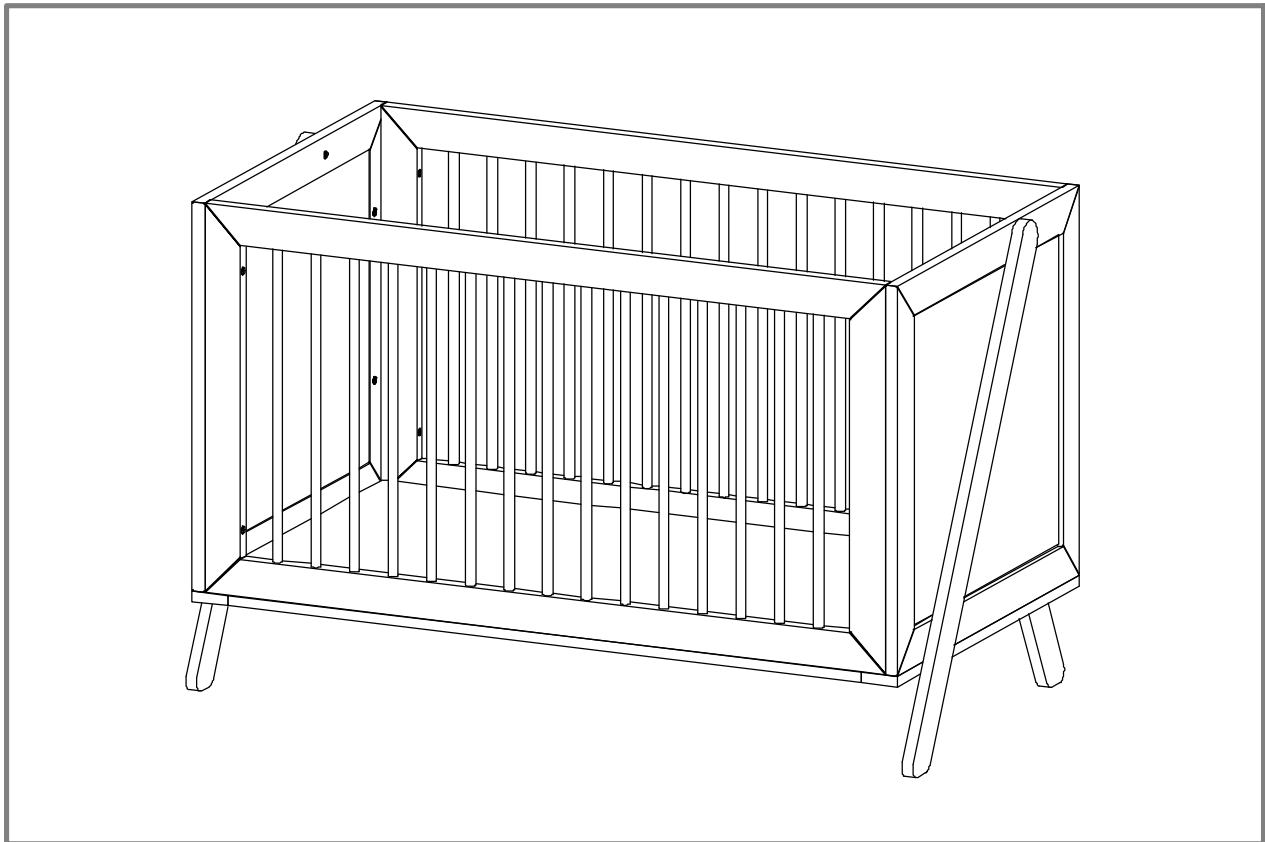
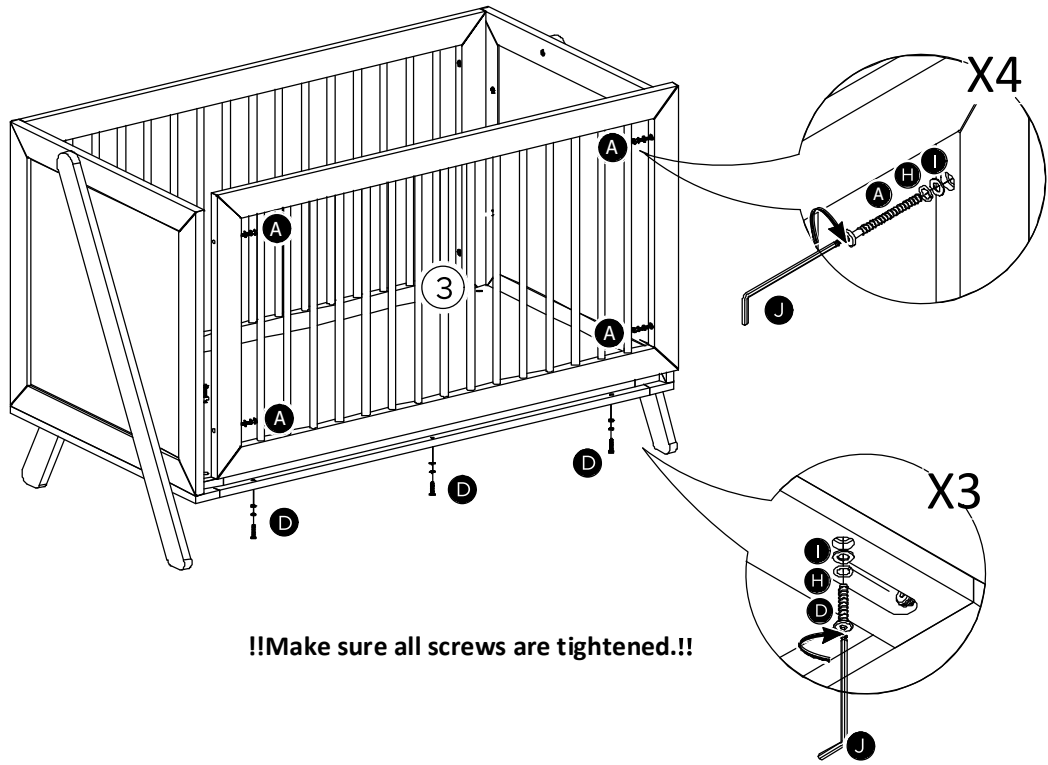


ASSEMBLY INSTRUCTIONS

STEP 8

NOTE: Attach Crib Rail "3" to cot assembly.

3	x1
A	x4
D	x3
H	x7
I	x7



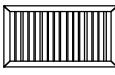




ASSEMBLY INSTRUCTIONS

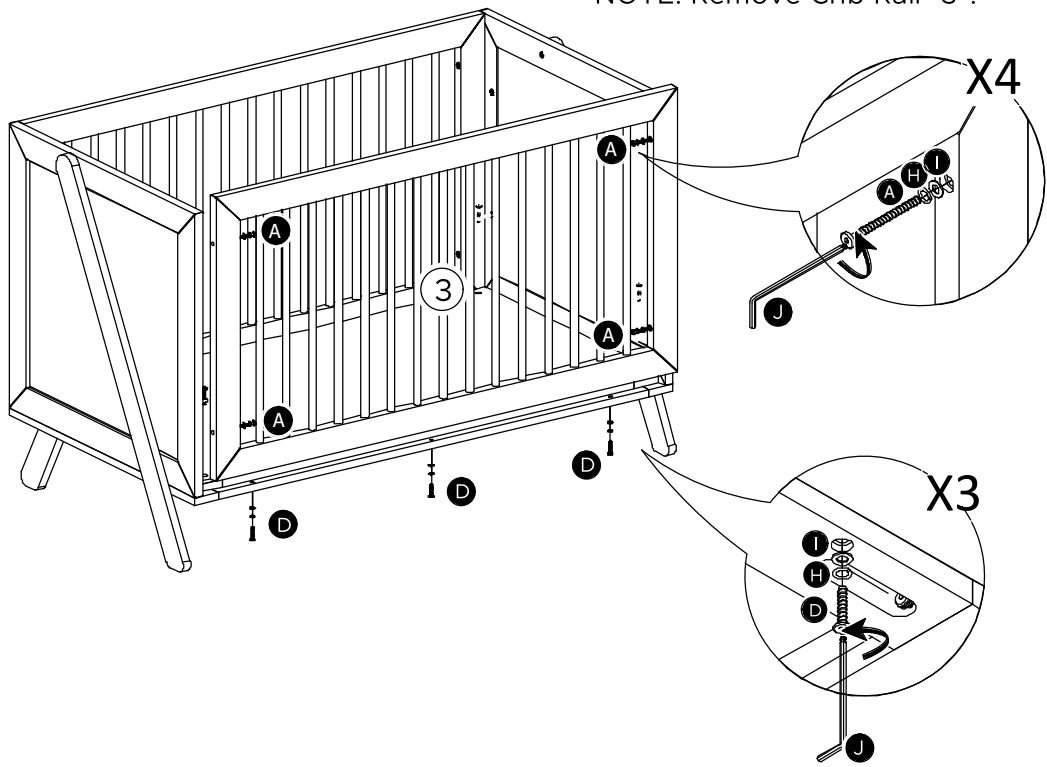
METHOD B - ADD ON BEDGUARD

SIDE PANEL CHANGE TO BEDGUARD

NOTE: Remove Crib Rail "3".

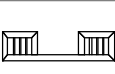




STEP 1

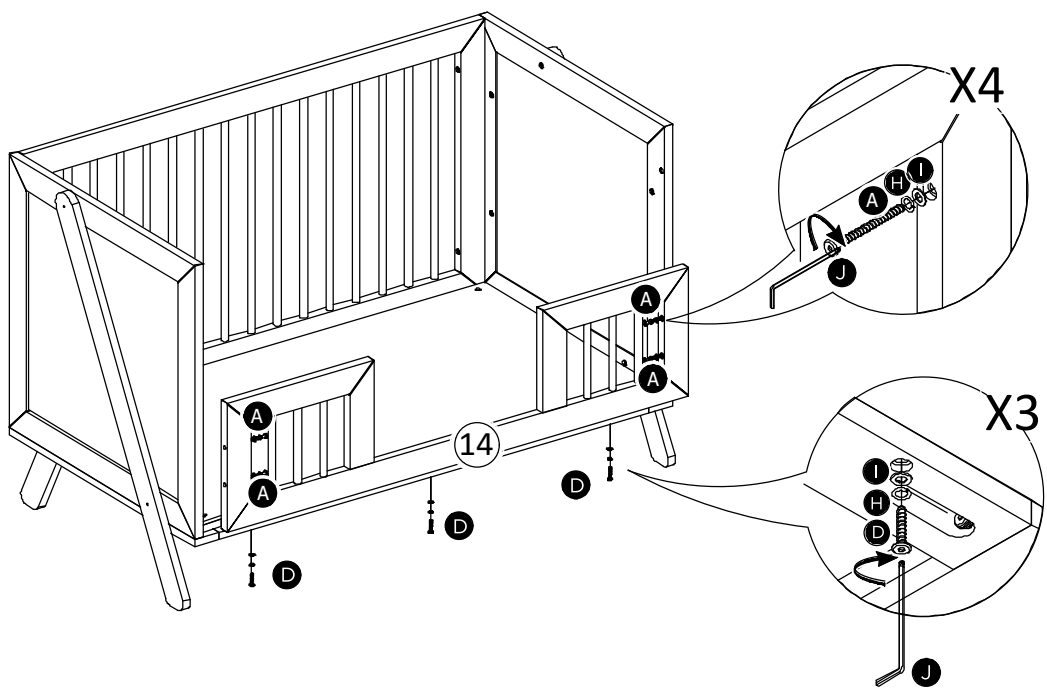
	
3	x1
	
A	x4
	
D	x3
	
H	x7
	
I	x7



STEP 2

NOTE: Attach Bedguard "14" to cot assembly.

	
14	x1
	
A	x4
	
D	x3
	
H	x7
	
I	x7



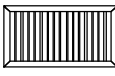




ASSEMBLY INSTRUCTIONS

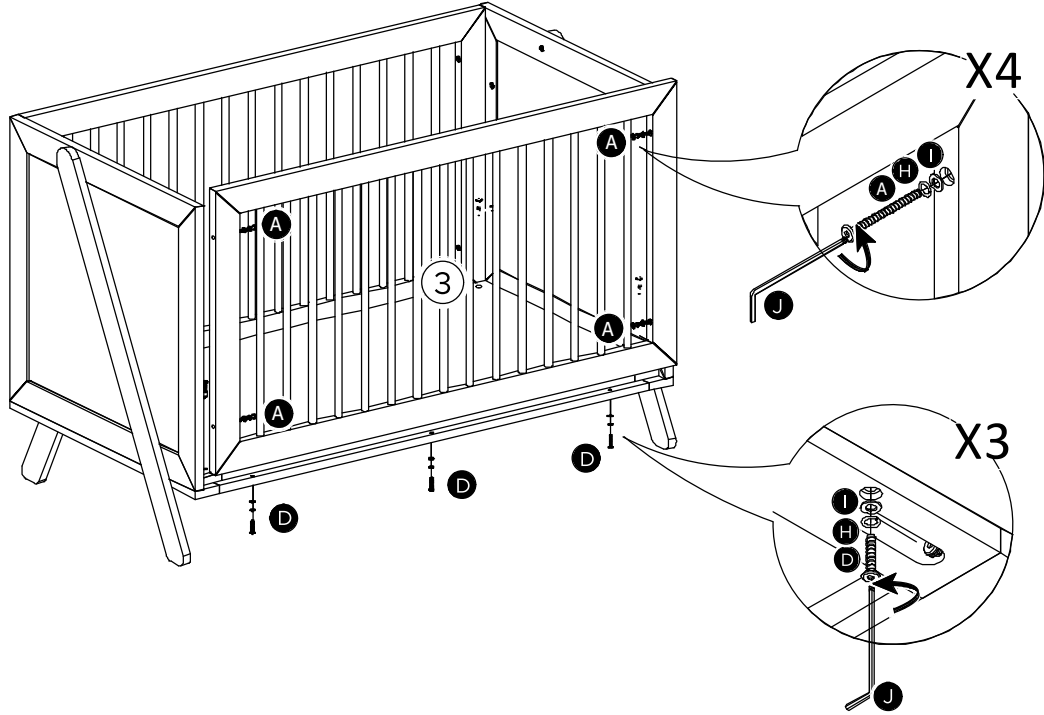
METHOD C - CONVERT TO TODDLER BED

BABY COT CONVERT TO TODDLER BED

STEP 1






NOTE: Remove Crib Rail "3".

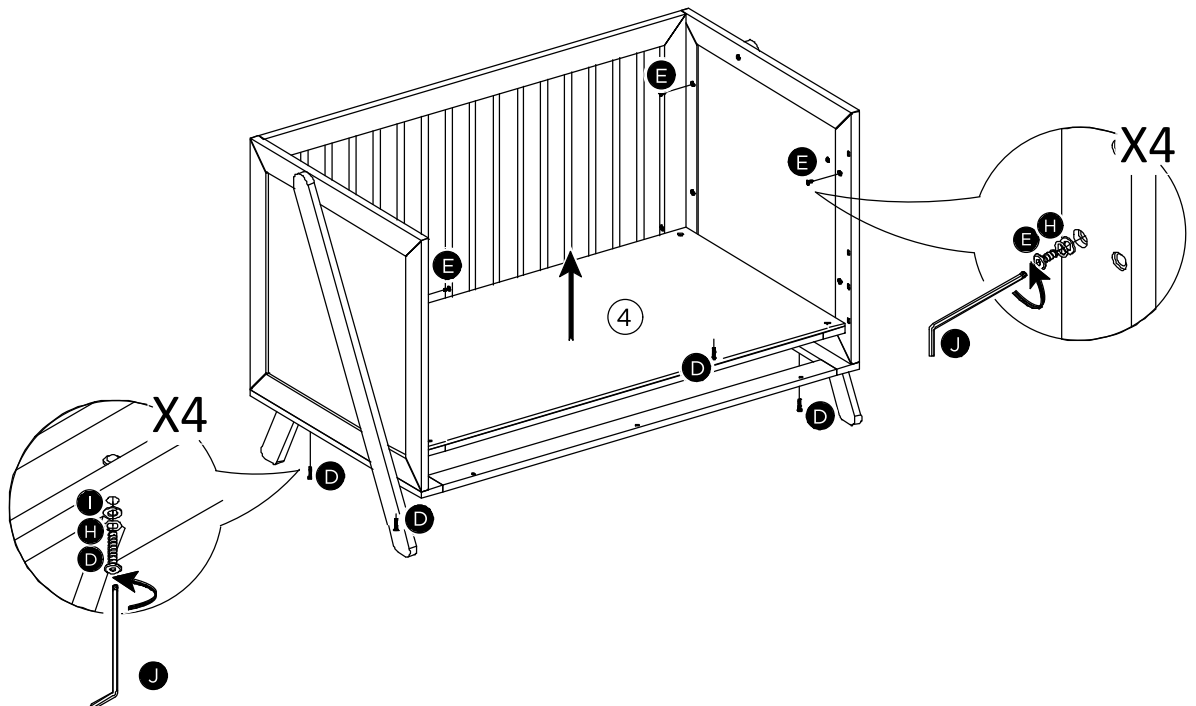
	
3	x1
	
A	x4
	
D	x3
	
H	x7
	
I	x7



STEP 2

NOTE: Remove mattress base "4".

	
4	x1
	
D	x4
	
E	x4
	
H	x8
	
I	x8



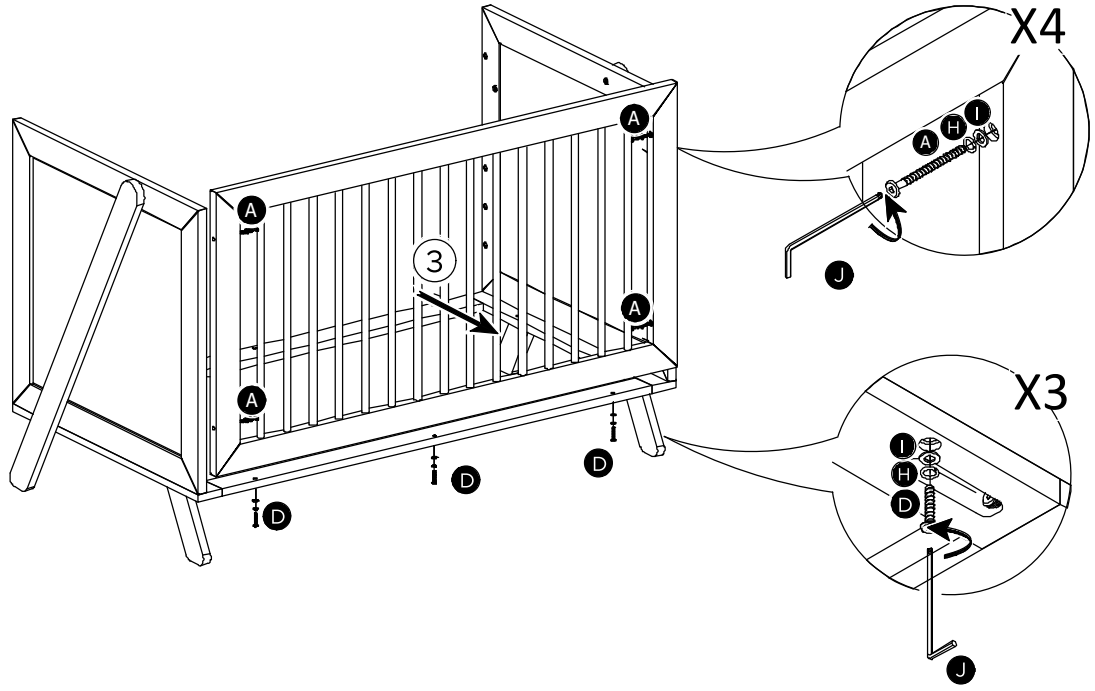


ASSEMBLY INSTRUCTIONS

STEP 3

NOTE: Remove Crib Rail "3".

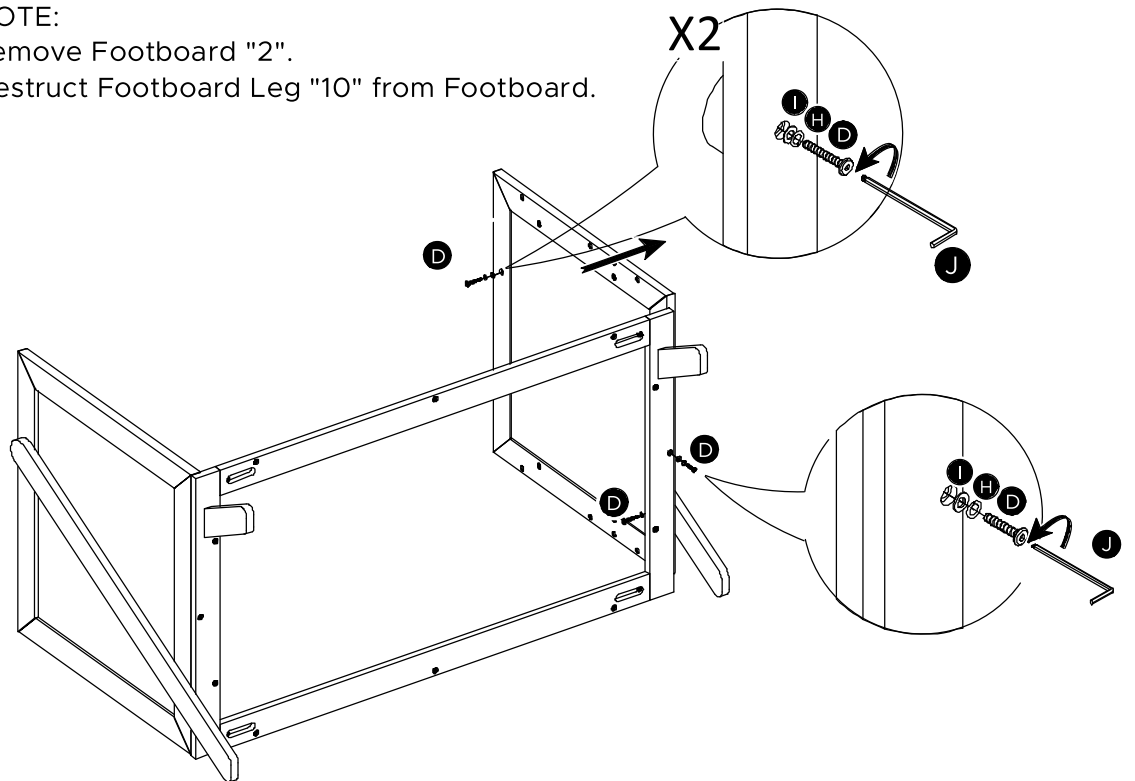
3	x1
A	x4
D	x3
H	x7
I	x7



STEP 4

NOTE:
Remove Footboard "2".
Destruct Footboard Leg "10" from Footboard.

2	x1
10	x1
D	x3
H	x3
I	x3

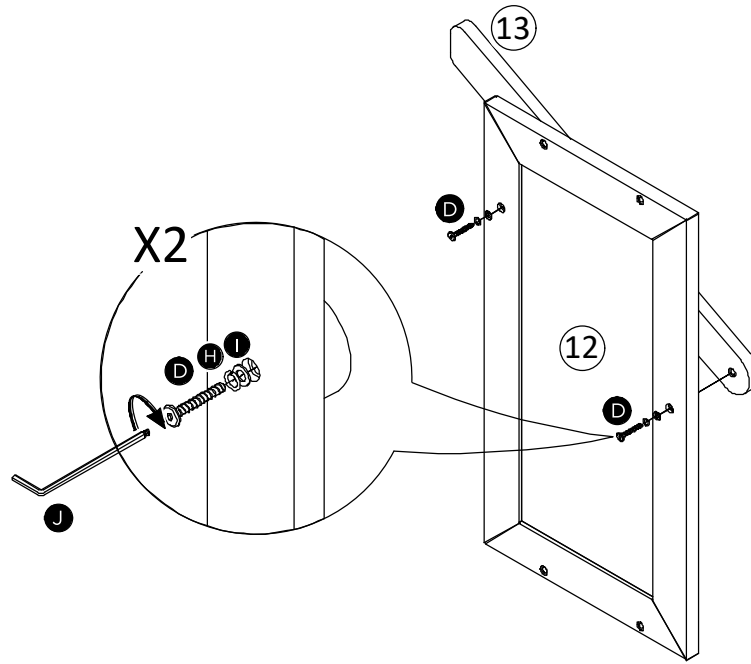




ASSEMBLY INSTRUCTIONS

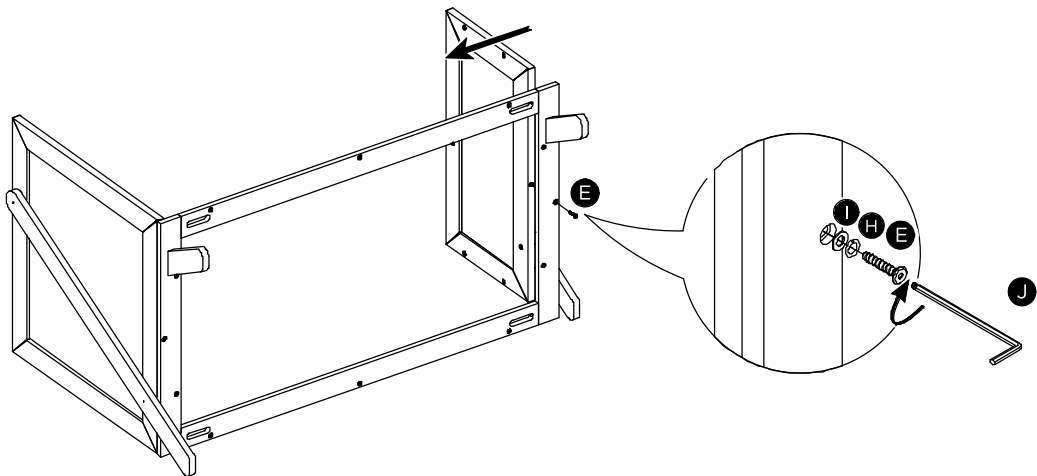
STEP 5 NOTE: Mini Footboard "12" and Mini Footboard Leg "13" assembly.

12	x1
13	x1
D	x3
H	x3
I	x3



STEP 6 NOTE: Attach mini footboard to cot assembly .

D	x1
H	x1
I	x1

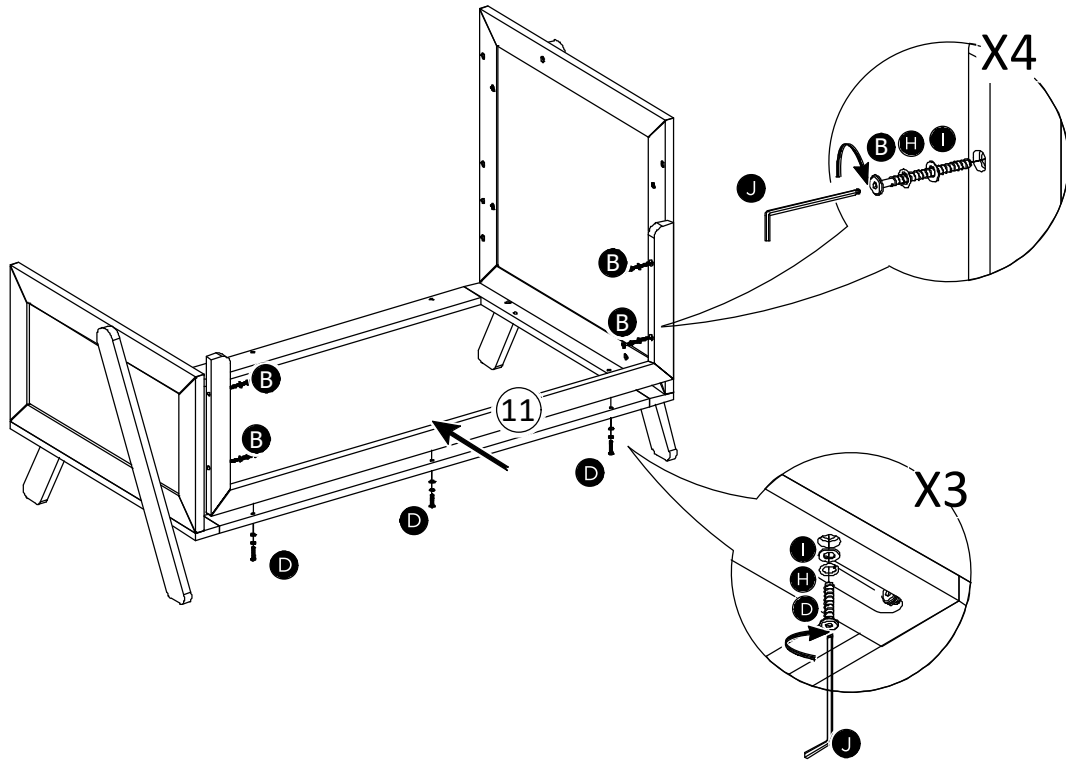




ASSEMBLY INSTRUCTIONS

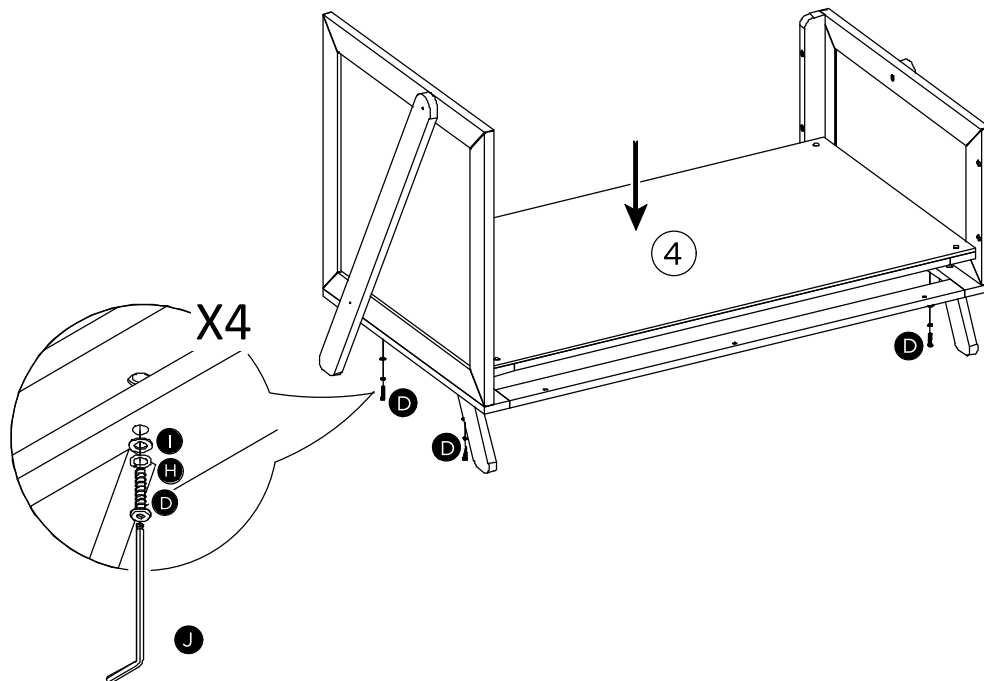
STEP 7 NOTE: Attach Toddler Bed Side Rail "11" to toddler bed assembly .

11	x1
B	x4
D	x3
H	x7
I	x7







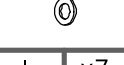
STEP 8 NOTE: Attach mattress base "4" to toddler bed assembly.

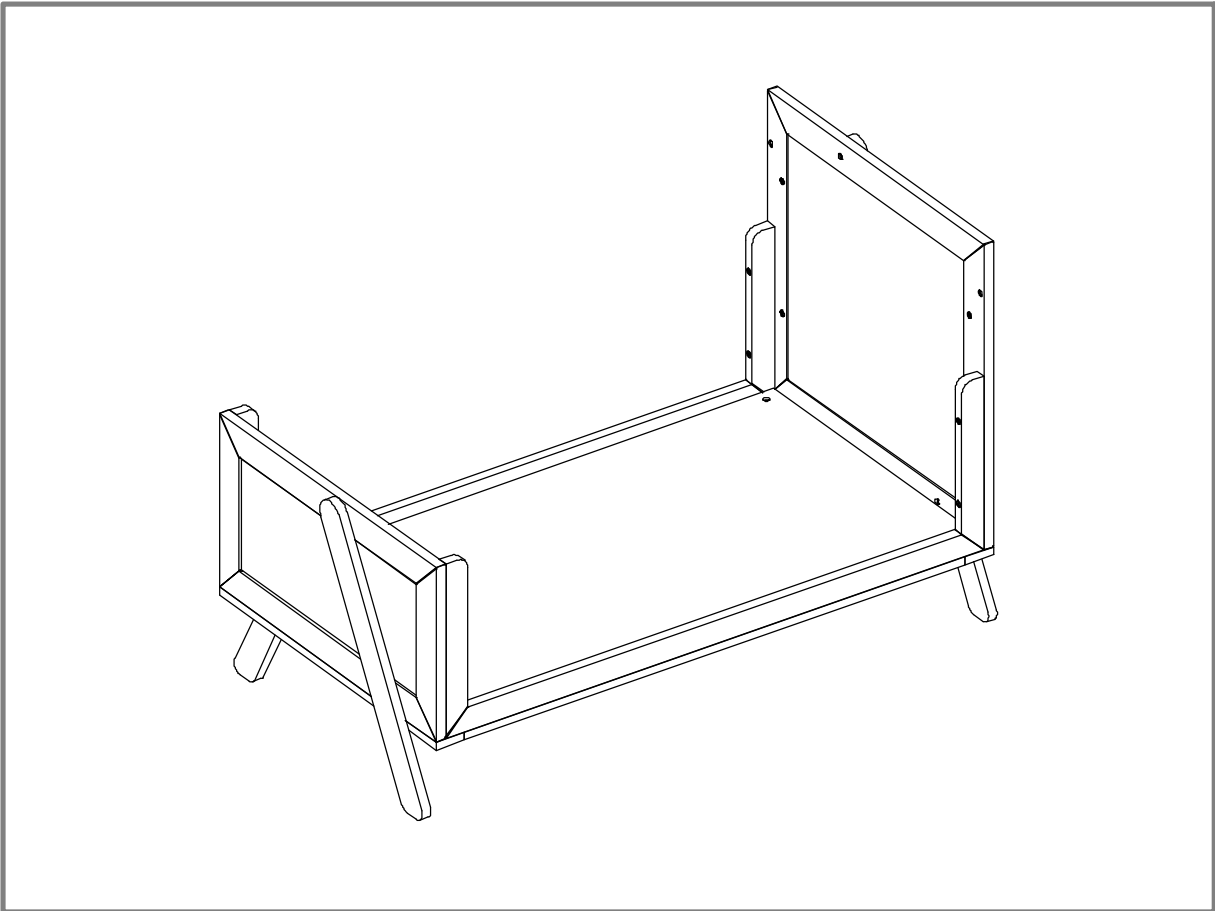
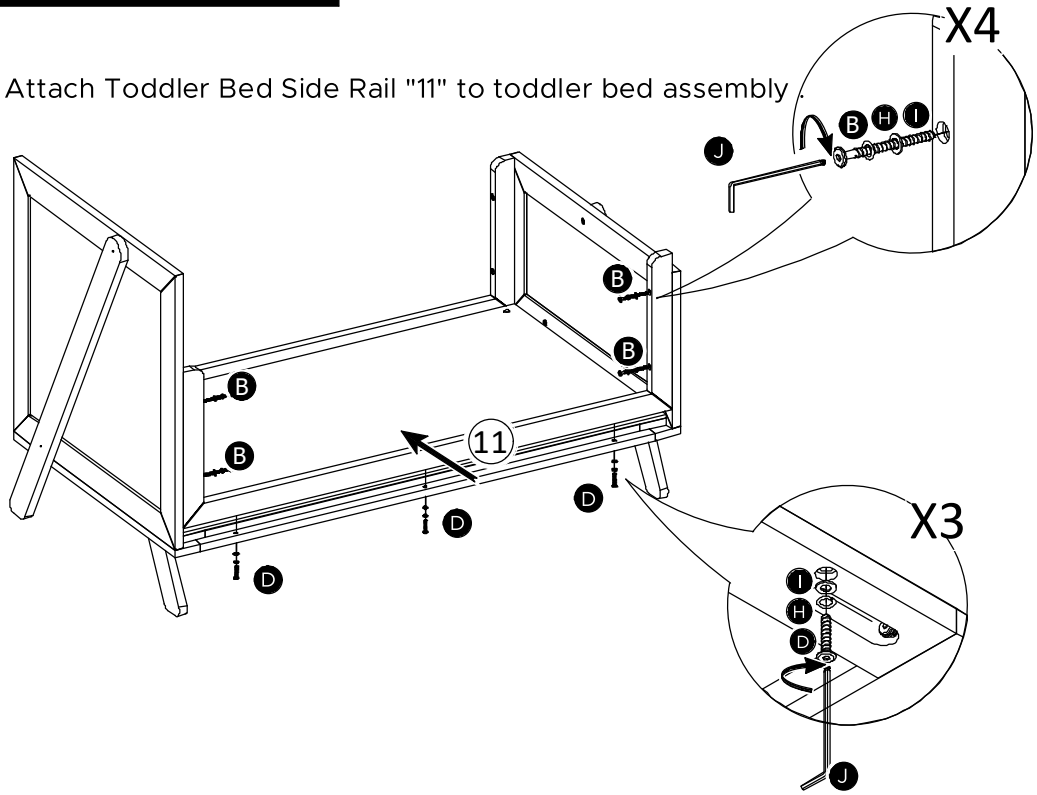
4	x1
D	x4
H	x4
I	x4



ASSEMBLY INSTRUCTIONS

STEP 9 NOTE: Attach Toddler Bed Side Rail "11" to toddler bed assembly.

	
11	x1
	
B	x4
	
D	x3
	
H	x7
	
I	x7

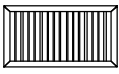






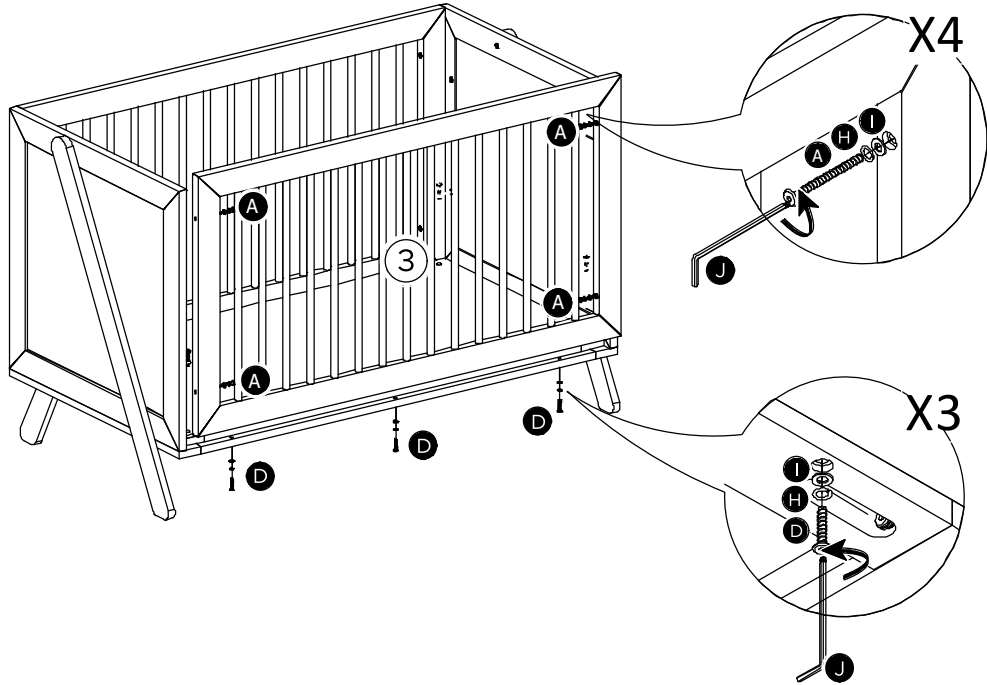
ASSEMBLY INSTRUCTIONS

METHOD D - CONVERT TO DESK






BABY COT CONVERT TO DESK

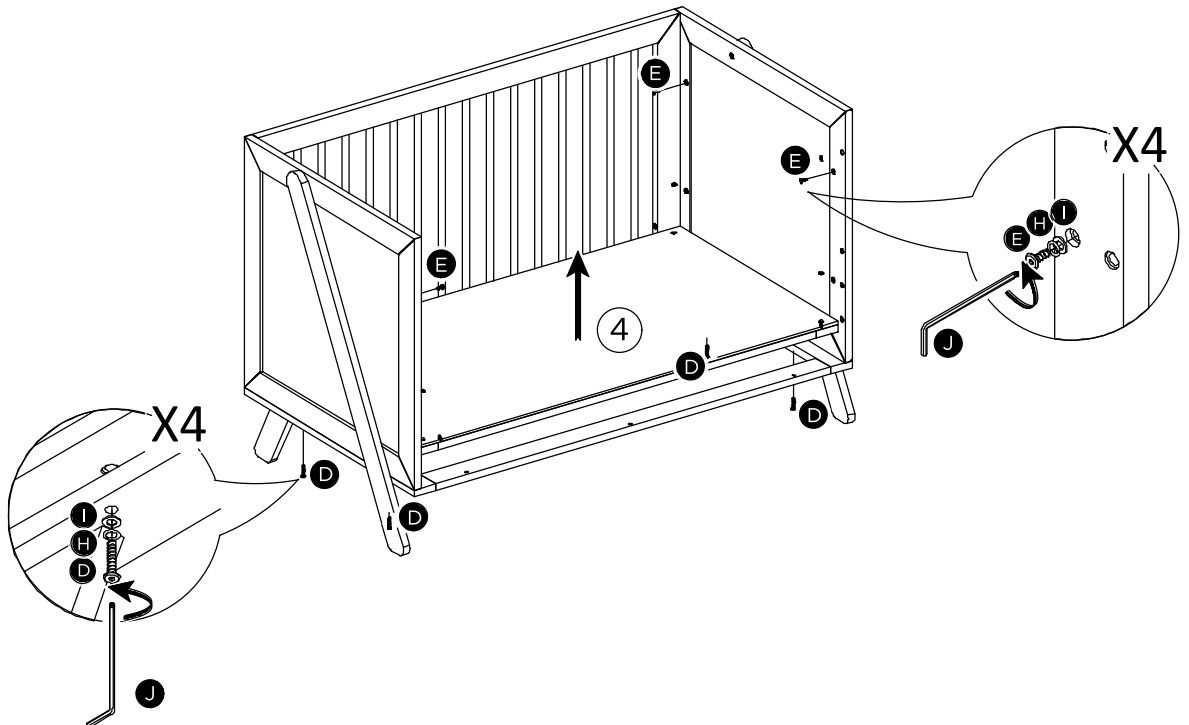
STEP 1 NOTE: Remove Crib Rail "3".

	
3	x1
	
A	x4
	
D	x3
	
H	x7
	
I	x7



STEP 2 NOTE: Remove mattress base "4".

	
4	x1
	
D	x4
	
E	x4
	
H	x8
	
I	x8

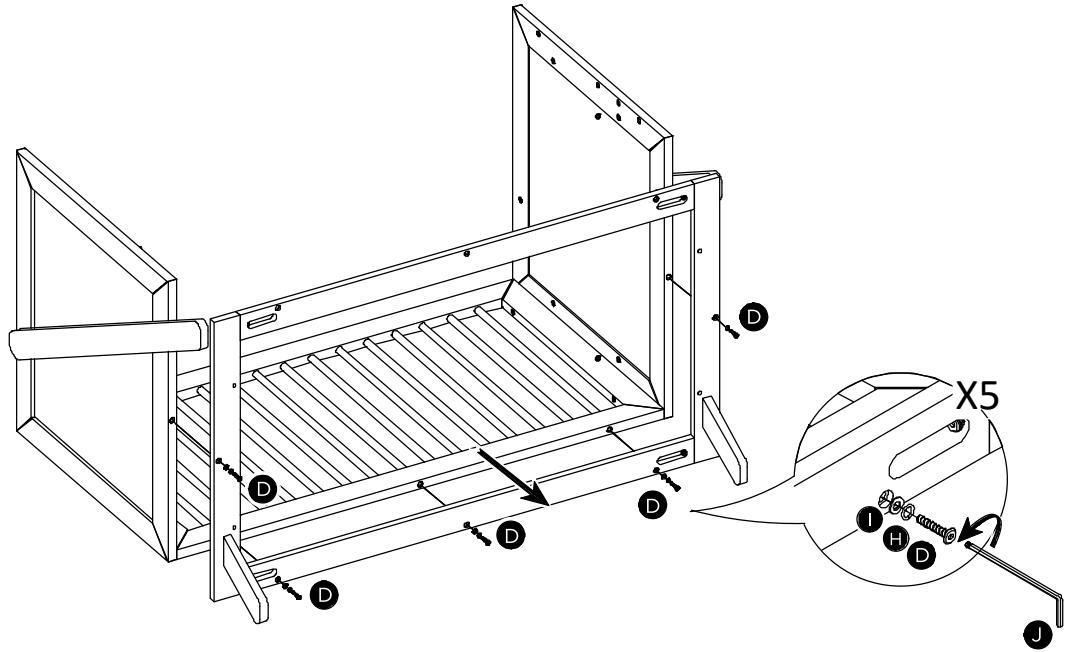




ASSEMBLY INSTRUCTIONS

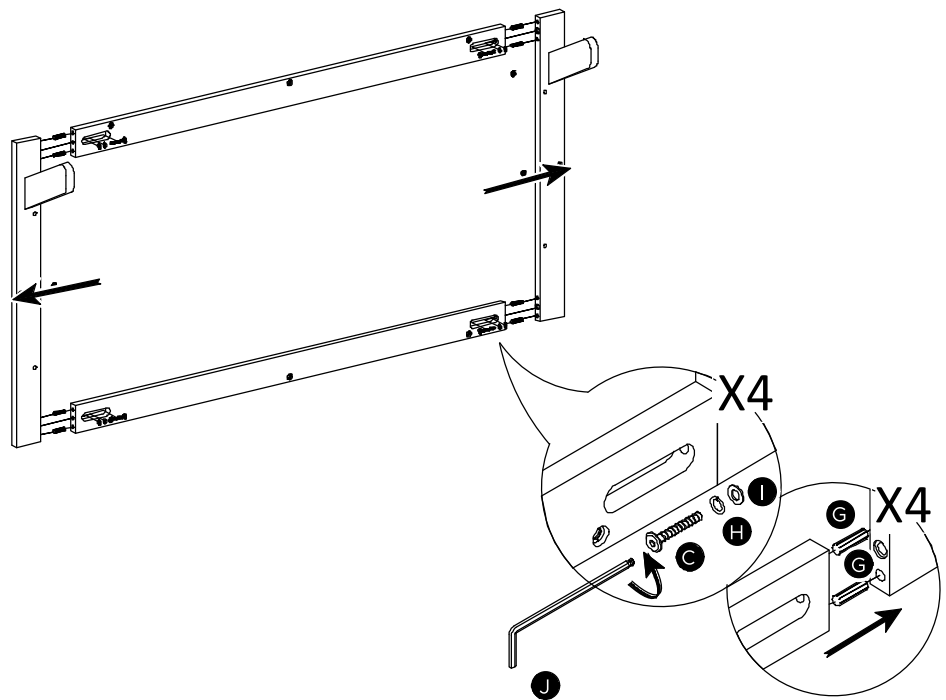
STEP 3 NOTE: Remove base frame from cot assembly.

D	x5
H	x5
I	x5



STEP 4 NOTE: Destruct Frame base and remove 1 qty Frame support.

C	x4	H	x4
H	x4	I	x4
I	x4		
G	x8		

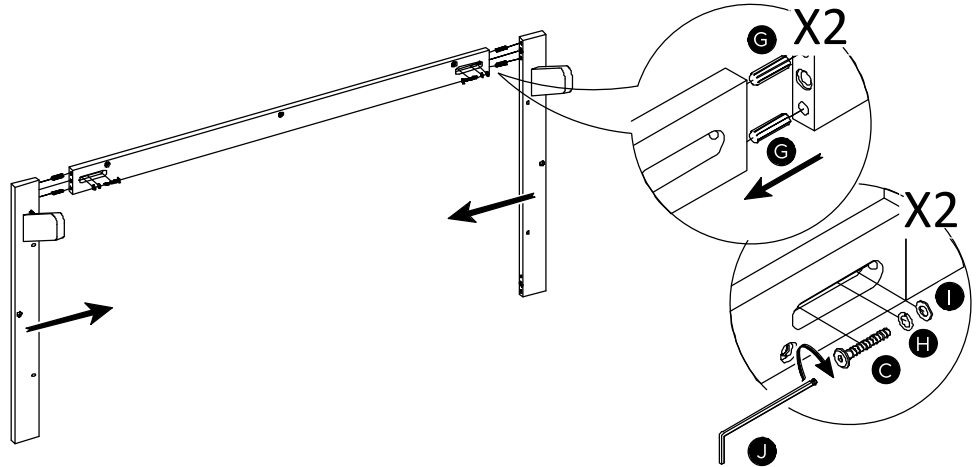




ASSEMBLY INSTRUCTIONS

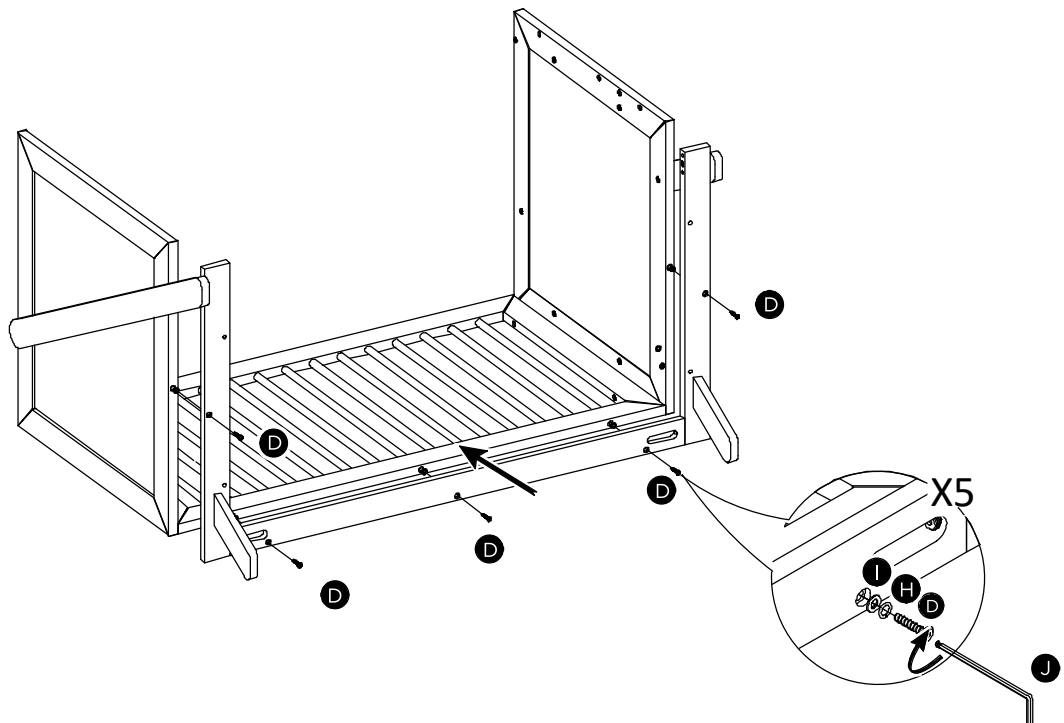
STEP 5 NOTE: Frame Headboard "5", Frame Footboard "6", and 1 qty Frame supports "7" assembly.

C	x2
H	x2
I	x2
G	x4








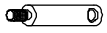
STEP 6 NOTE: Attach Desk assembly to base frame.

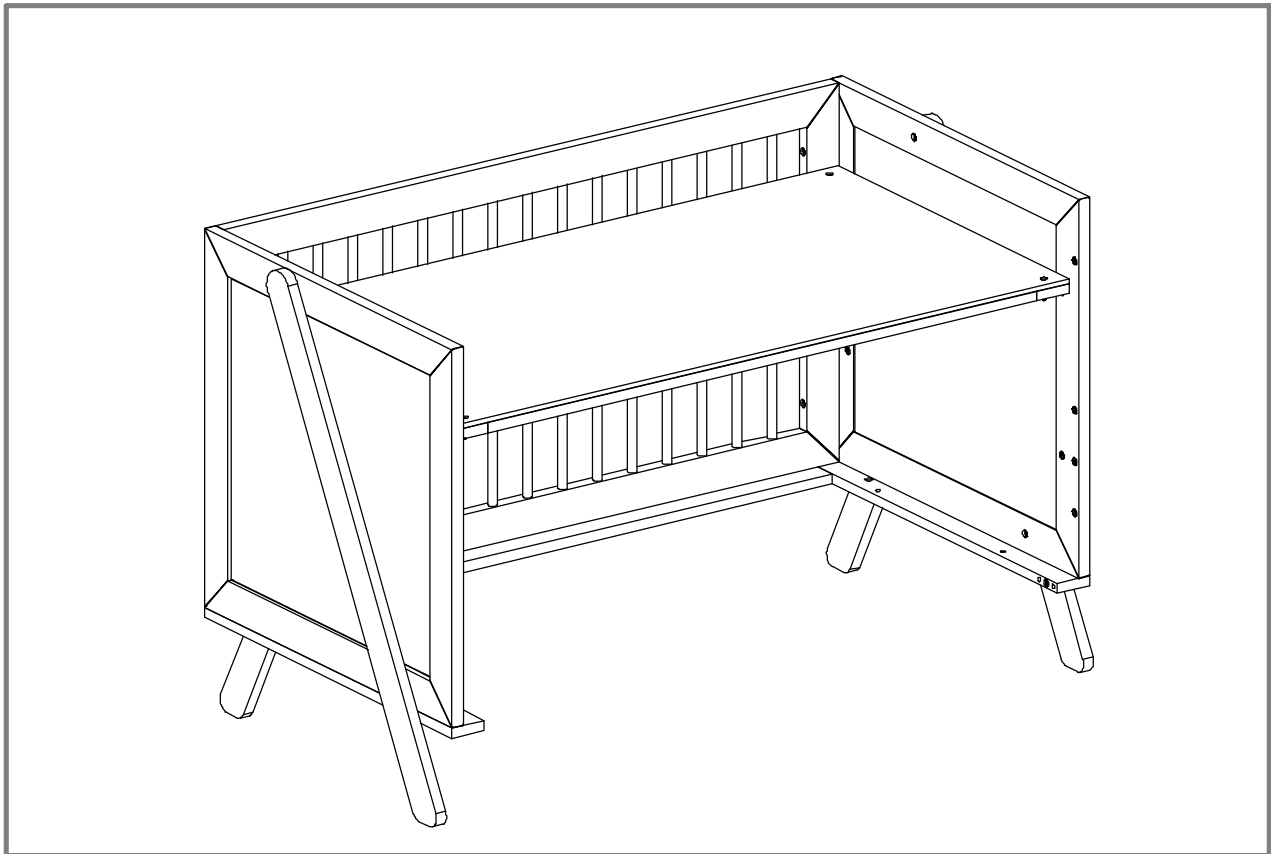
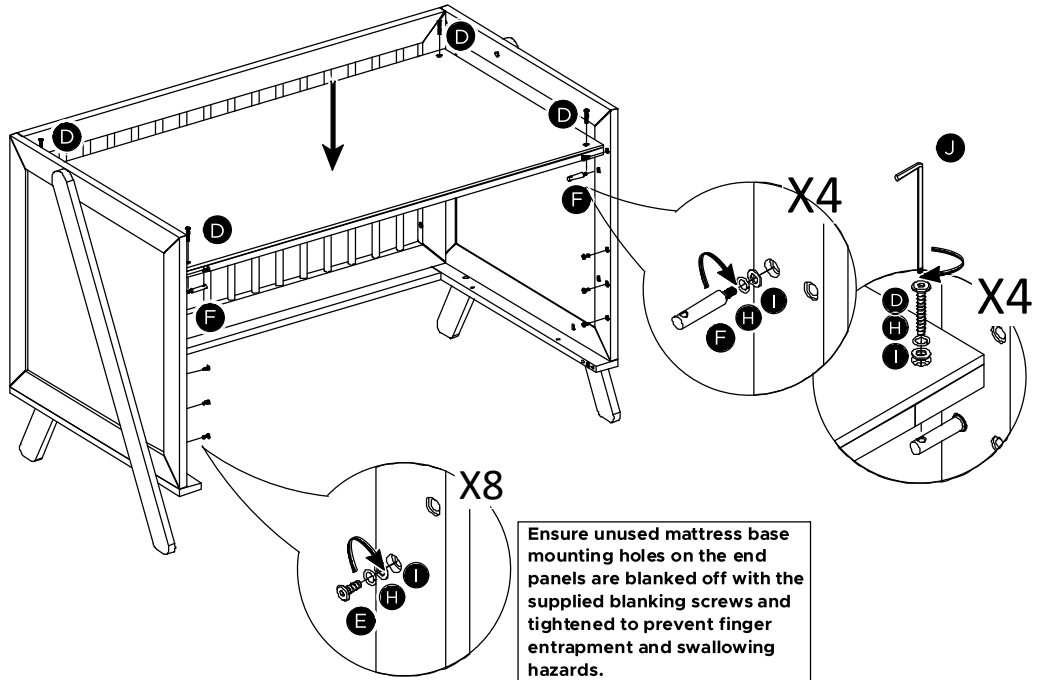
D	x5
H	x5
I	x5



ASSEMBLY INSTRUCTIONS

STEP 7 NOTE: Attach mattress base to desk assembly.

	
4 x1	H x16
	
D x4	I x16
	
E x12	
	
F x4	





MAINTENANCE AND CARE

Clean regularly using a soft brush or vacuum with a brush attachment. Avoid harsh chemicals or abrasive cleaners.

Wash with a hose or pressure washer on a low-pressure setting for heavy soiling. Rinse thoroughly afterward.

Ensure proper drying after cleaning or exposure to rain to prevent mold or mildew growth.

Protect from extreme weather by moving furniture to a covered area or using furniture covers or tarps.

Avoid dragging or placing heavy objects on the furniture to prevent damage.

Apply UV protection spray or furniture wax to prevent fading and damage from the sun.

Regularly inspect for wear, loose strands, or damage and address issues promptly.



WARRANTY INFORMATION

Warranty Coverage: Our warranty provides protection against manufacturing defects in materials and workmanship for a specified period from the date of purchase, as outlined in the accompanying warranty documentation.

Exclusions: The warranty does not cover damages resulting from misuse, negligence, accidents, normal wear and tear, unauthorized repairs or modifications, improper assembly, or failure to adhere to the care and maintenance guidelines provided.

Warranty Claim Process

To initiate a return, please follow these steps:

- 1 Log into your account and go to the "Your Orders" section.
- 2 Locate the order containing the item you wish to return.
- 3 Contact our customer service for assistance in obtaining a prepaid return label.
- 4 **Once you receive the return label, securely affix it to the package.**
- 5 You can then choose to drop off the package at a designated carrier location or arrange for a pickup.
- 6 After we receive and inspect the returned product, we will initiate the refund process.
- 7 The refund will be credited back to the original payment method used during the purchase.
- 8 Typically, refunds are processed within 3-5 business days.