




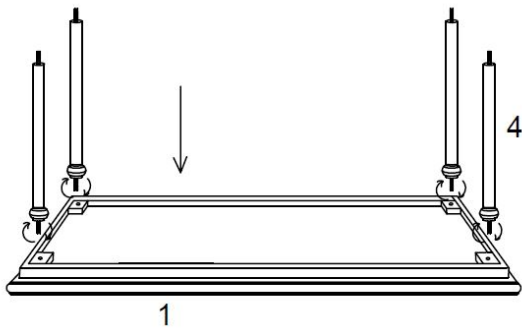
ASSEMBLY INSTRUCTIONS & PARTS IDENTIFICATION TABLE

Thank you for purchasing this quality product. Be sure to check all packing material carefully for small parts that may have come loose inside the carton during shipment .

| Table Components | | | | Hardware Kit | | | |
|------------------|--|--------------|-------|--------------|---|-------------|--------|
| No. | | Description | Q'TY | No | | Description | QTY |
| 1 | | Table Top | 1 pc | A |  | Lock Washer | 12 PCS |
| 2 | | Middle Shelf | 1 pc | B |  | Flat Washer | 4 PCS |
| 3 | | Bottom Shelf | 1 pc | C |  | Wing Nut | 4 PCS |
| 4 | | Upper Leg | 4 pcs | | | | |
| 5 | | Lower Leg | 4 pcs | | | | |
| 6 | | Floor Glides | 4 pcs | | | | |
| 7 | | ANTI-TIP Kit | 1 SET | | | | |

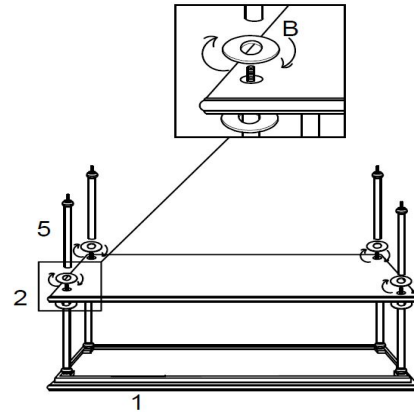
Step 1

Lay the tabletop upside down on a clean padded surface to prevent scratches. Attach the metal legs by screwing them into the inserts on the tabletop.



Step 2

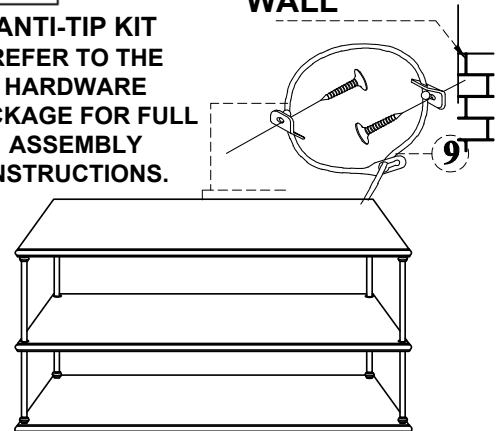
Place a flat washer over the threads of the metal legs. Lay the middle shelf on the upper legs and align the holes with the threads in the legs. Place a flat washer over the threads of the metal legs on top of the shelf. Attach the lower metal legs by screwing into the inserts on the upper legs.



Step 4

**ANTI-TIP KIT
REFER TO THE
HARDWARE
PACKAGE FOR FULL
ASSEMBLY
INSTRUCTIONS.**

WALL



PLEASE NOTE:

To avoid the possibility of the furniture tipping and injury, the anti-tip hardware must be installed.

Step 3

Lay the bottom shelf on the lower legs and align the holes with the threads in the legs. Attach using a flat washer, lock washer and wing nut. Once all wing nuts are in place tighten all the wing nuts securely.

