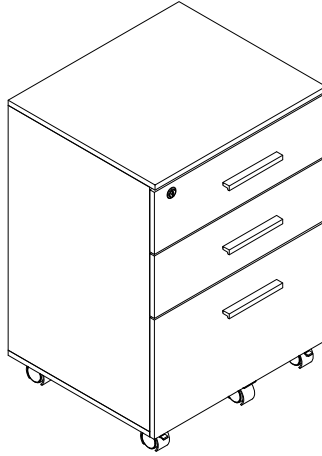


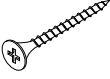







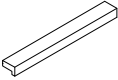








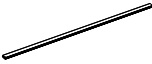
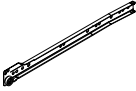
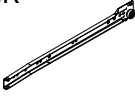
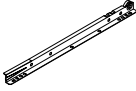
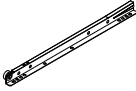


Assembly Instructions



Fitting List

| | | | | | |
|--|---|---|--|--|---|
| A  Cam Bolt 12 Pcs | B  Cam Lock 12 Pcs | C  Screw(ST4*40mm) 16 Pcs | D  Wood Dowel 14 Pcs | E  Screw(ST3*12mm) 48 Pcs | F  Screw(ST4*10mm) 19 Pcs |
| G  Wheel 2 Pcs | H  Locking Wheel 2 Pcs | I  Wheel 1 Pcs | J  Screw(M4*18mm) 6 Pcs | K  Handle 3 Pcs | L  Slide rail (L=330mm) 2 Pcs |
| M  Slide rail(L=325mm) 2 Pcs | N  File bar 2 Pcs | O  Screw(ST3*14mm) 4 Pcs | P  Plastic nail 4 Pcs | Q  Lock 1 Pcs | R  Locking plate 3 Pcs |
| S  Locking bar 1 Pcs | T  Back bar 1 Pcs | CL  Slide rail 2 Pcs | CR  Slide rail 2 Pcs | DL  Slide rail 2 Pcs | DR  Slide rail 2 Pcs |

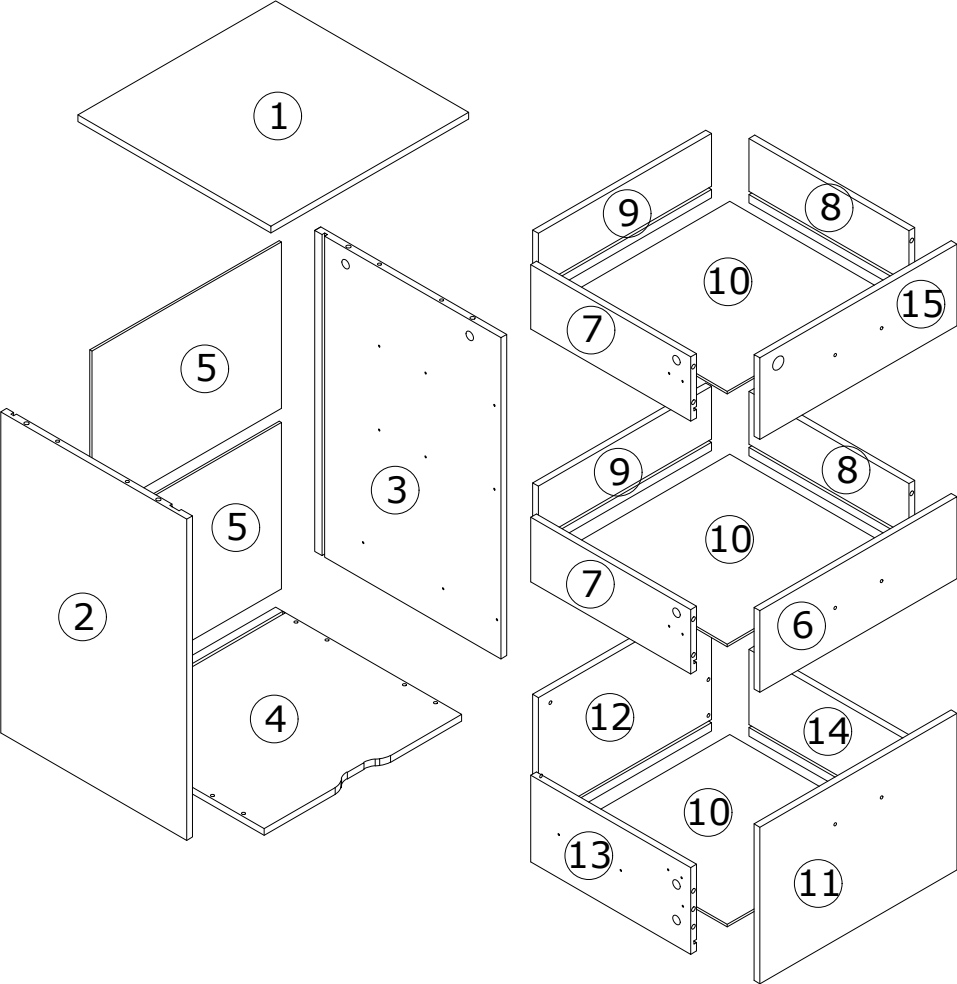
IMPORTANT NOTE:

- Place all laminated parts on a clean and smooth surface such as a rug or carpet to avoid the parts from being scratched.
- Check to be sure that you have all parts and hardware.
- Remove all wrapping materials, including staples and packing straps before you start to assemble.
- Don't tighten all screws/bolts until all the pieces are completely assembled.
- Keep all hardware parts out children's reach.
- It is recommended for 2 people to complete this assembled.



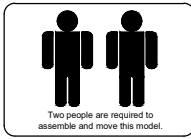
Two people are required to assemble and move this model.

Overall View

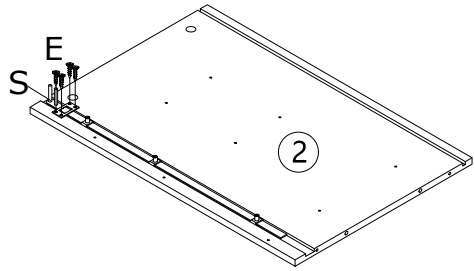
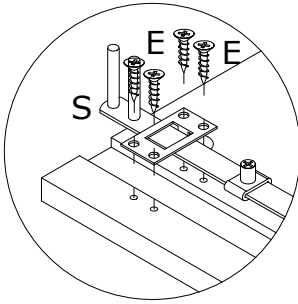


IMPORTANT NOTE:

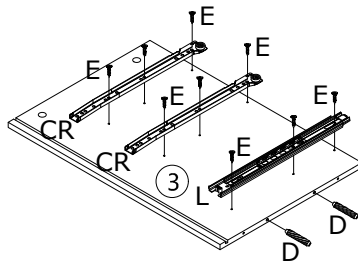
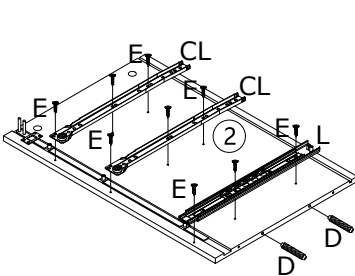
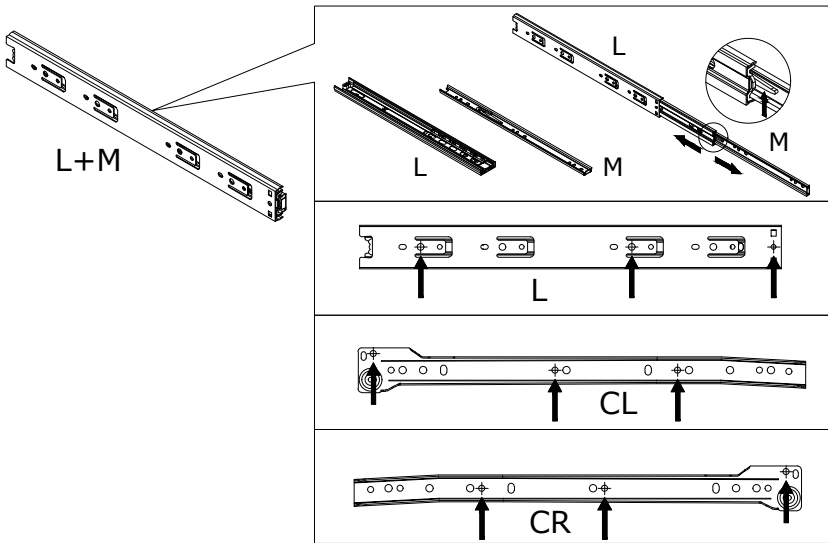
- Place all laminated parts on a clean and smooth surface such as a rug or carpet to avoid the parts from being scratched.
- Check to be sure that you have all parts and hardware.
- Remove all wrapping materials, including staples and packing straps before you start to assemble.
- Don't tighten all screws/bolts until all the pieces are completely assembled.
- Keep all hardware parts out of children's reach.
- It is recommended for 2 people to complete this assembled.



Step 1

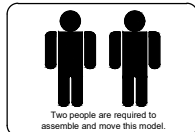


Step 2

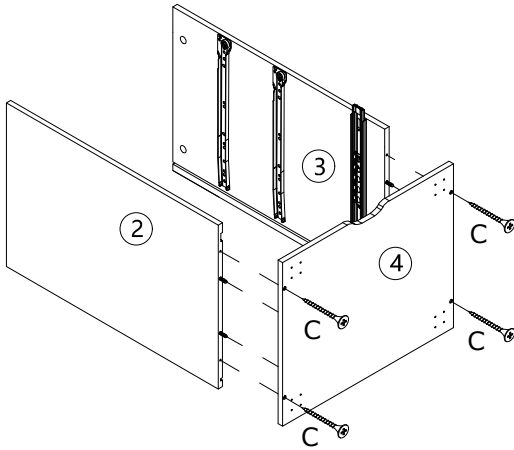


IMPORTANT NOTE:

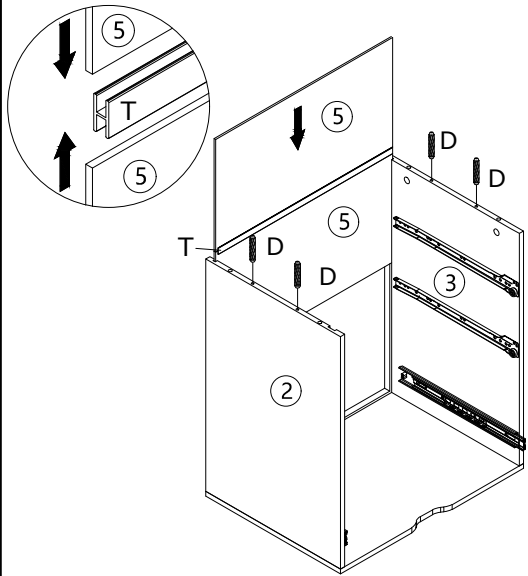
- Place all laminated parts on a clean and smooth surface such as a rug or carpet to avoid the parts from being scratched.
- Check to be sure that you have all parts and hardware.
- Remove all wrapping materials, including staples and packing straps before you start to assemble.
- Don't tighten all screws/bolts until all the pieces are completely assembled.
- Keep all hardware parts out children's reach.
- It is recommended for 2 people to complete this assembled.



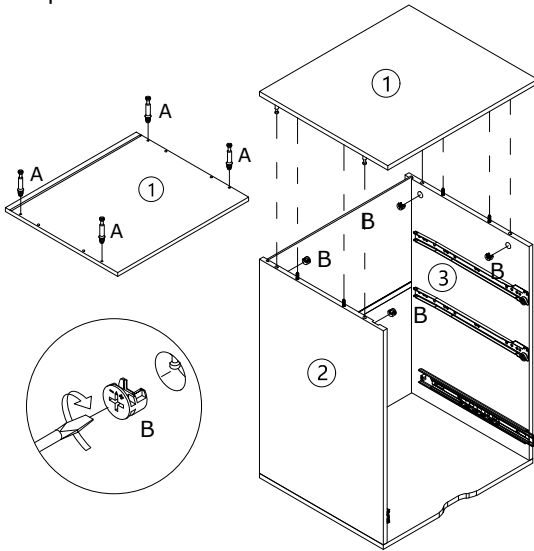
Step 3



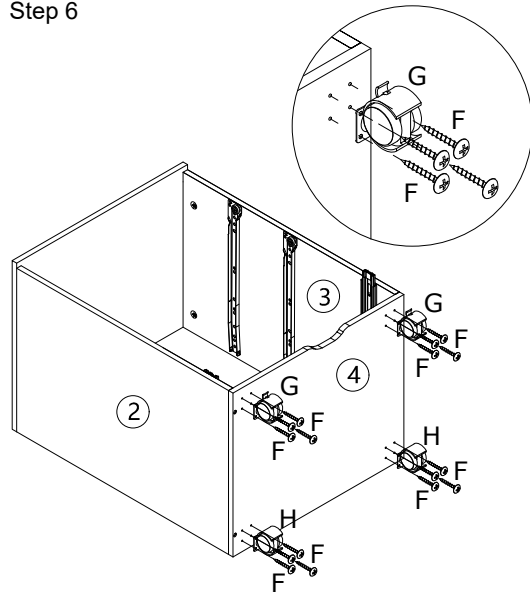
Step 4



Step 5

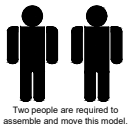


Step 6

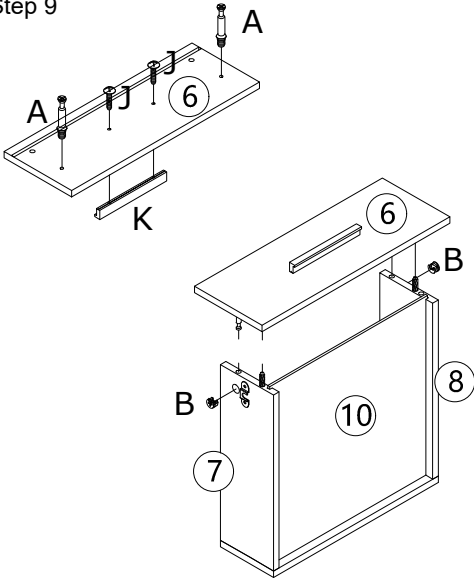


IMPORTANT NOTE:

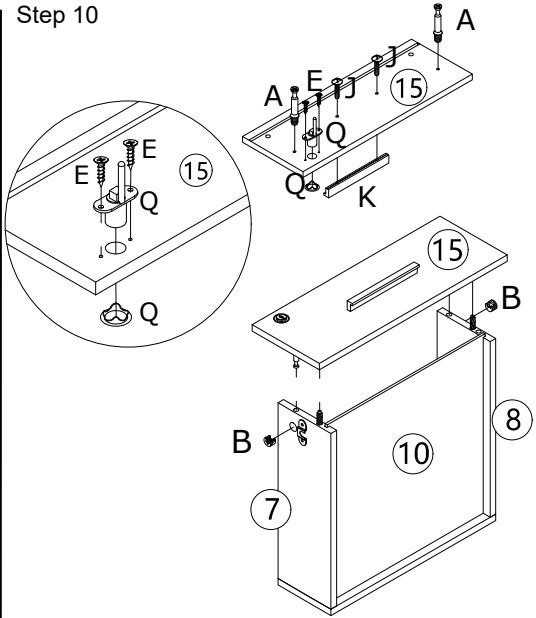
- Place all laminated parts on a clean and smooth surface such as a rug or carpet to avoid the parts from being scratched.
- Check to be sure that you have all parts and hardware.
- Remove all wrapping materials, including staples and packing straps before you start to assemble.
- Don't tighten all screws/bolts until all the pieces are completely assembled.
- Keep all hardware parts out children's reach.
- It is recommended for 2 people to complete this assembled.



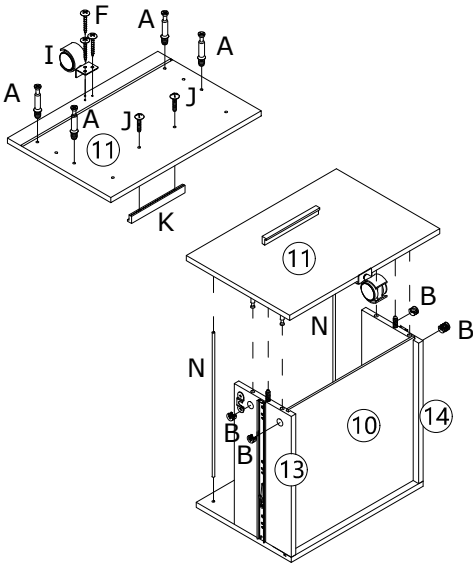
Step 9



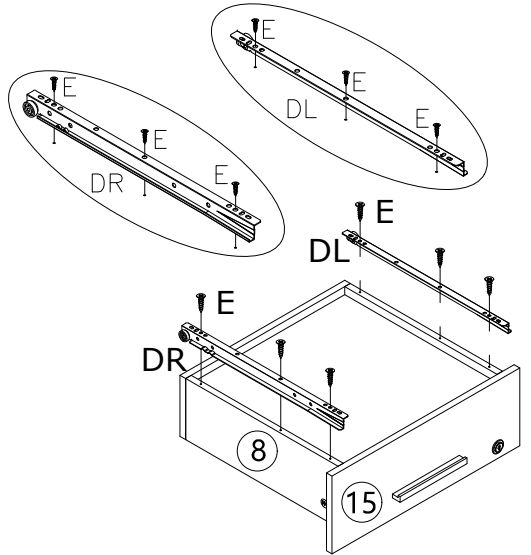
Step 10



Step 11

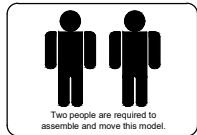


Step 12

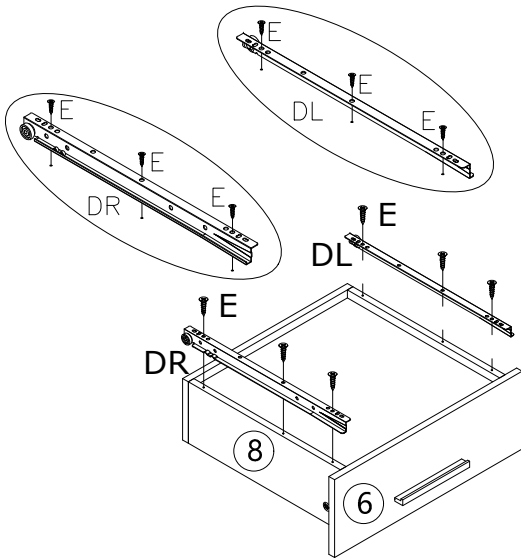


IMPORTANT NOTE:

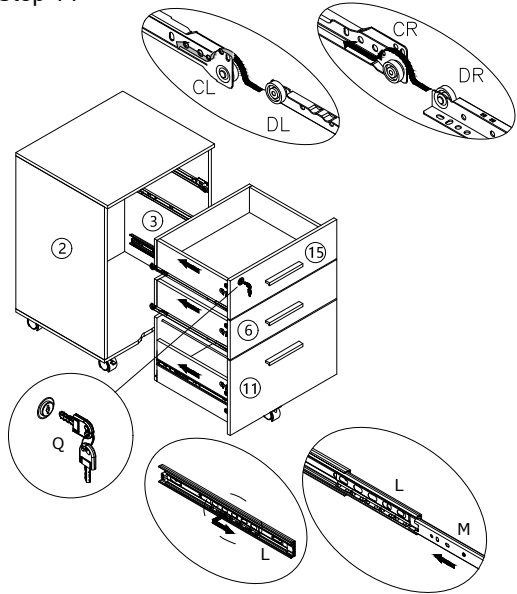
- Place all laminated parts on a clean and smooth surface such as a rug or carpet to avoid the parts from being scratched.
- Check to be sure that you have all parts and hardware.
- Remove all wrapping materials, including staples and packing straps before you start to assemble.
- Don't tighten all screws/bolts until all the pieces are completely assembled.
- Keep all hardware parts out children's reach.
- It is recommended for 2 people to complete this assembled.



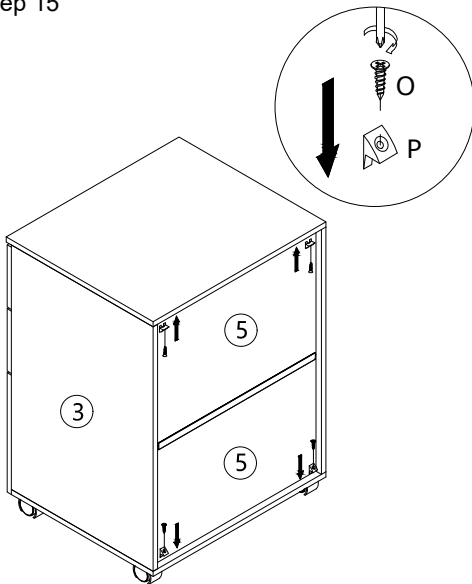
Step 13



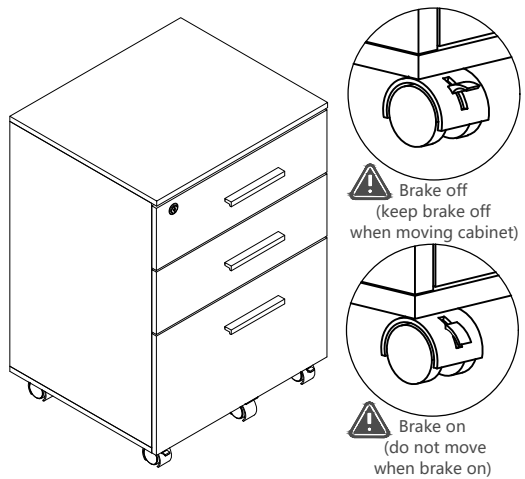
Step 14



Step 15



Step 16



IMPORTANT NOTE:

- Place all laminated parts on a clean and smooth surface such as a rug or carpet to avoid the parts from being scratched.
- Check to be sure that you have all parts and hardware.
- Remove all wrapping materials, including staples and packing straps before you start to assemble.
- Don't tighten all screws/bolts until all the pieces are completely assembled.
- Keep all hardware parts out children's reach.
- It is recommended for 2 people to complete this assembled.

