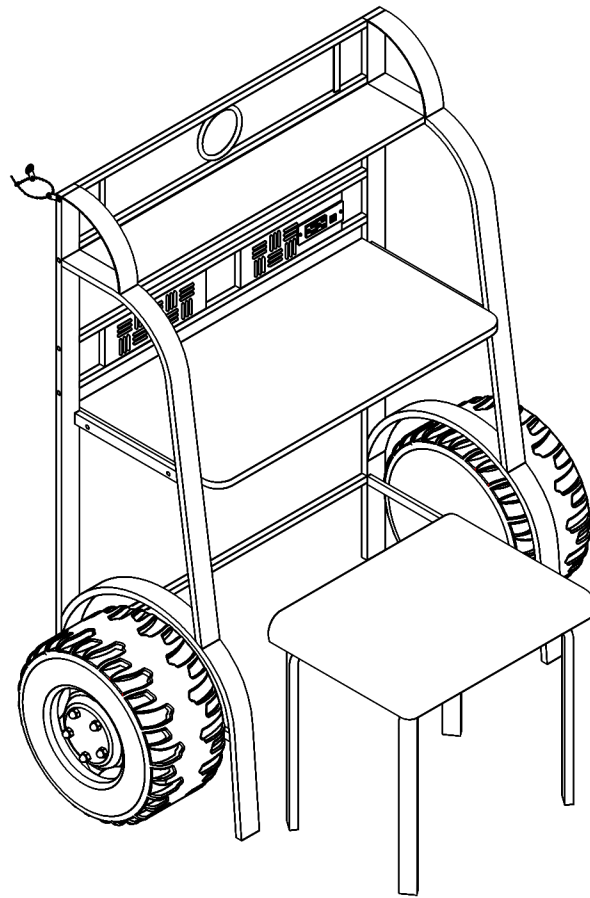


Assembly Instructions



ASSEMBLY RATING

The Assembly Rating is a 5-point system that shows the degree of effort needed in assembling a specific product (with 1 being easy and 5 being difficult). For some products, two persons are recommended.

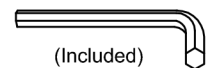
EASY



DIFFICULT

Tools Required For Assembly:

Allen Wrench



(Included)

Phillips Screwdriver



(Not Included)

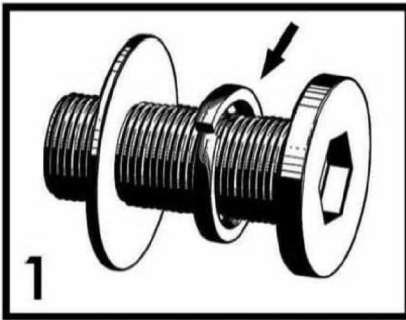


2 PERSONS RECOMMENDED

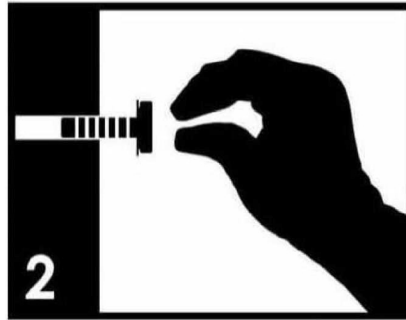
ASSEMBLY & CARE ADVICE

FOR YOUR FURNITURE TO LAST, CORRECT ASSEMBLY AND PROPER MAINTENANCE ARE NECESSARY. PLEASE FOLLOW THE INFORMATION PROVIDED BELOW TO FULLY ENJOY YOUR FURNITURE.

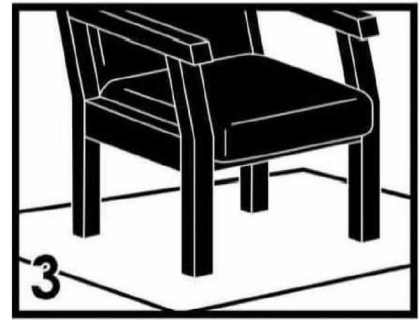
BASIC ASSEMBLY TECHNIQUES



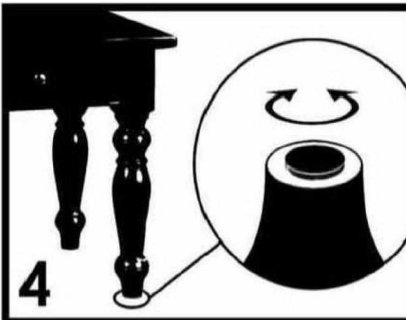
When lock or spring washer is used in an assembly, please make sure the lock or spring washer is placed between the larger flat washer and the head of the screw or bolt.



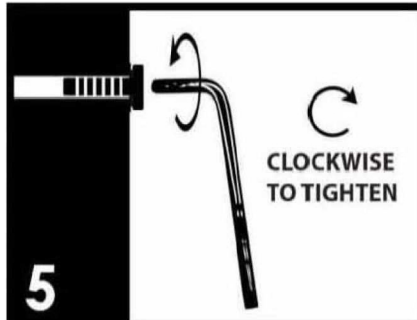
Position each part correctly and insert screws or bolts into their respective holes by hand tighten or using the proper hand tool. Only tighten when step is completed or when instructed to do so.



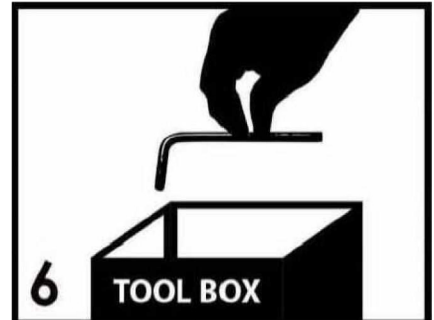
Use cardboard or carpet area when assembling furniture to prevent scratches. Make sure the furniture rests on a flat and level surface with each leg evenly touching the floor.



Some furniture comes with height adjustment knobs underneath each leg. To lower or to raise each leg, you need to turn clockwise or counterclockwise, respectively.



Make sure all parts are properly aligned, then use the appropriate hand tool to completely tighten the bolts or screws. Do not use power tools and do not overtighten.

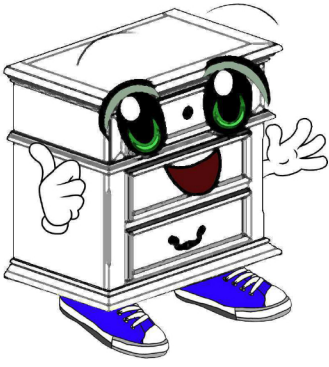


Save the instructions and store the Allen wrench or any supplied tool for later maintenance. After two weeks, check and tighten any loose hardware and repeat again every six months thereafter.

IT IS THE USER'S RESPONSIBILITY TO MAINTAIN THE FURNITURE. THE HARDWARE MAY LOOSEN OVER TIME AND MAY CAUSE THE FURNITURE TO BE WOBBLY AND UNABLE TO SUPPORT ITS INTENDED WEIGHT CAPACITY. THIS MAY LEAD TO COLLAPSE AND MAY CAUSE SERIOUS INJURY.



FAILURE TO FOLLOW THE GUIDELINES ABOVE MAY RESULT IN INJURY AND/OR PROPERTY DAMAGE.



Before you begin, please read Page 2 of "Assembly and Care Advice".

And remember, do not tighten until each step is completed or instructed.

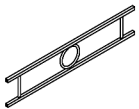
Parts List



#1 x 1pc
Left Support Frame



#2 x 1pc
Right Support Frame



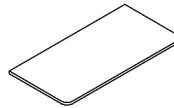
#3 x 1pc
Up Tube Frame



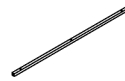
#4 x 1pc
Small Shelf



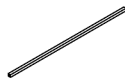
#5 x 1pc
Middle Tube Frame



#6 x 1pc
Desk Top



#7 x 2pcs
Desk top Support Bar



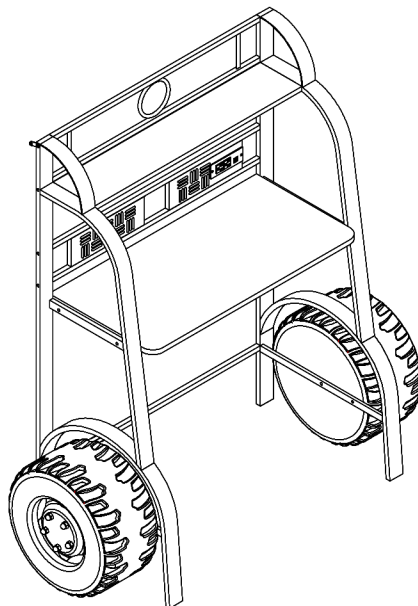
#8 x 1pc
Bottom Support Bar

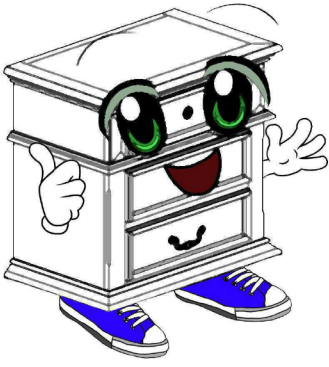


#9 x 2pcs
Wheel



#10 x 2pcs
Wheel Cover





Before you begin, please read Page 2 of "Assembly and Care Advice".

And remember, do not tighten until each step is completed or instructed.

Hardware List



#A x 4pcs
Screw M5 x 10MM



#B x 4pcs
Bolt 1/4" X1-3/8"



#C x 10pcs
Bolt 1/4" X 3"



#D x 1pc
Allen Wrench M4



#E x 8pcs
Screw M4 x 25MM



#F x 1pc
Socket



#G x 2pcs
Screw M3 x 10MM



#H x 2pcs
Hex Nut



#I x 1pc
Screw M4 x 37MM



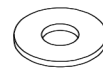
#J x 2pcs
Keyhole Slot



#K x 1pc
Explosive nut



#L x 1pc
Tipping Restraint



#M x 6pcs
Flat Washer



#N x 2pcs
Stub Bolt 5/16" X 8-1/2"



#O x 1pc
Allen Wrench M5



#P x 2pcs
Bolt 5/16" X 3/4"

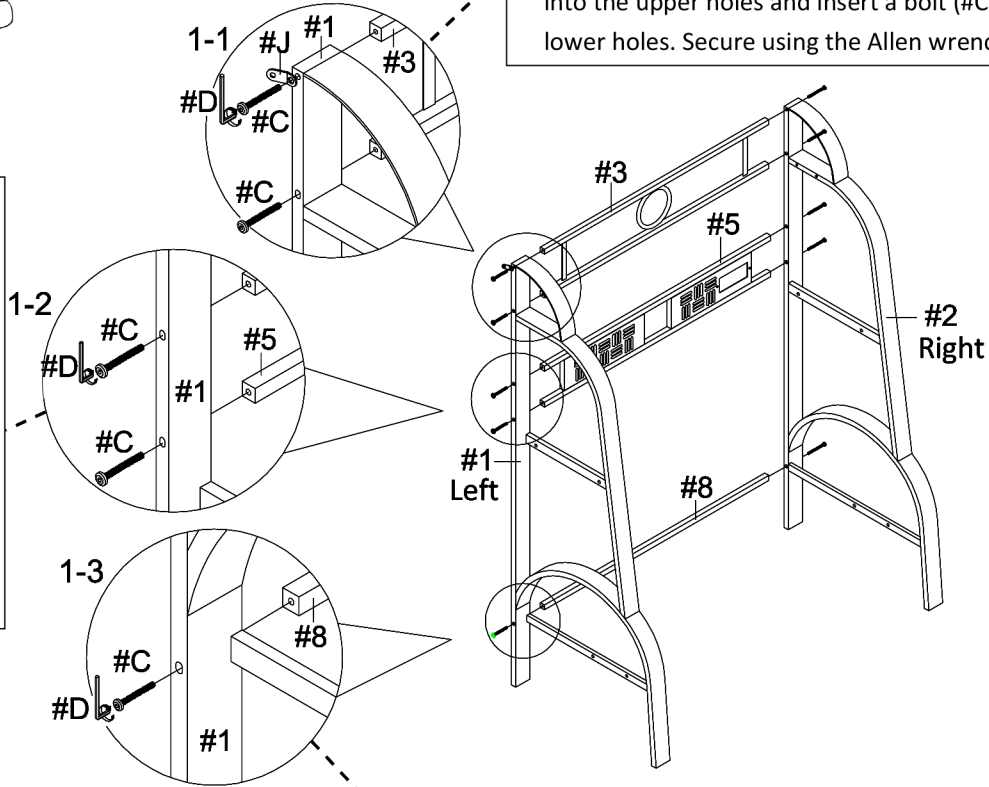


#1

#C x 10pcs
#J x 1pc

2. Align the middle tube frame (#5) to the holes along the center of the left and right support frames (#1,2). Then insert a bolt (#C) into each hole. Secure using the Allen wrench (#D).

1. Align the up tube frame (#3) to the holes along the top of the left and right support frames (#1,2). Then apply a keyhole slot (#J) into 2 bolts (#C), insert those into the upper holes and insert a bolt (#C) into the lower holes. Secure using the Allen wrench (#D).



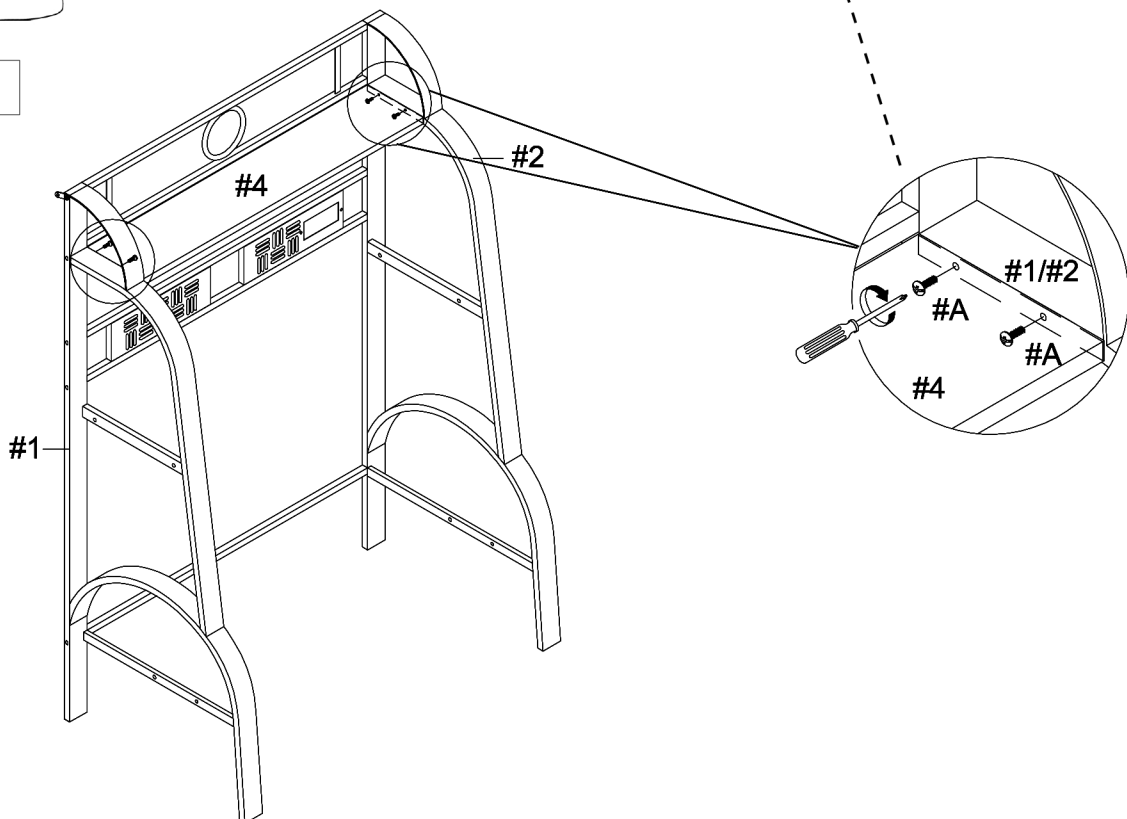
3. Align the bottom support bar (#8) to the holes along the bottom of the left and right support frames (#1,2). Then insert a bolt (#C) into the holes. Secure using the Allen wrench.



#2

#A x 4pcs

Align the small shelf (#4) to the holes along the top of the left and right support frames (#1,2). Then insert 2 screws (#A) into the holes. Secure using a Phillips screwdriver.

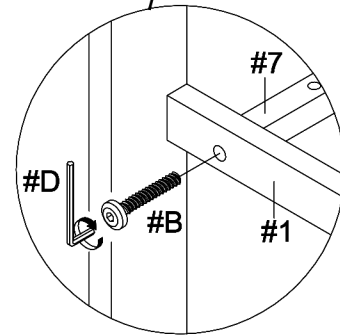
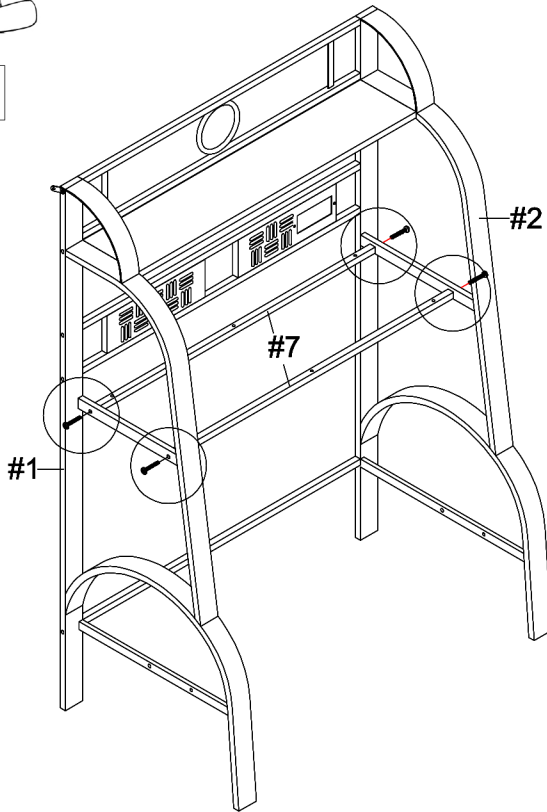




#3

Align the desktop support bars (#7) to the holes along the center of the left and right support frames (#1,2). Then insert a bolt (#B) into each end. Secure using the Allen wrench (#D).

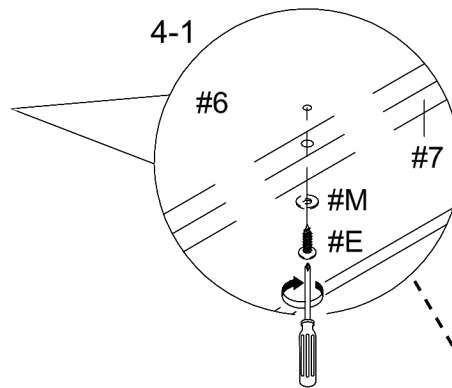
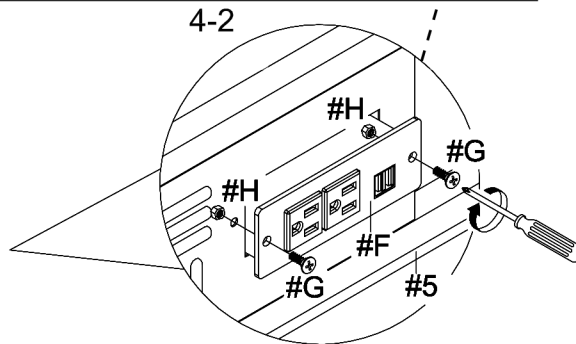
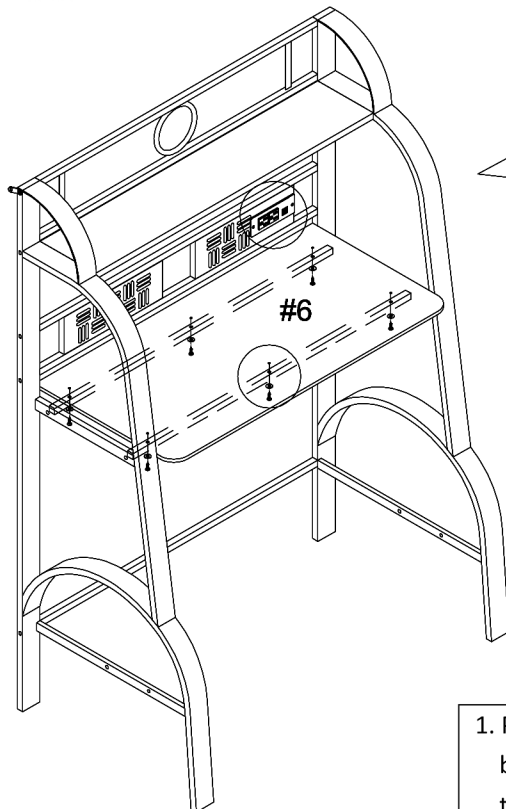
#B x 4pcs



#4

2. Align the socket (#F) to the holes along the middle tube frame (#5), then insert 2 screws (#G) and secure using a Phillips screwdriver. On the other side apply a hex nut (#H) onto each screw and tighten.

#E x 6pcs
#F x 1pc
#G x 2pcs
#H x 2pcs
#M x 6pcs

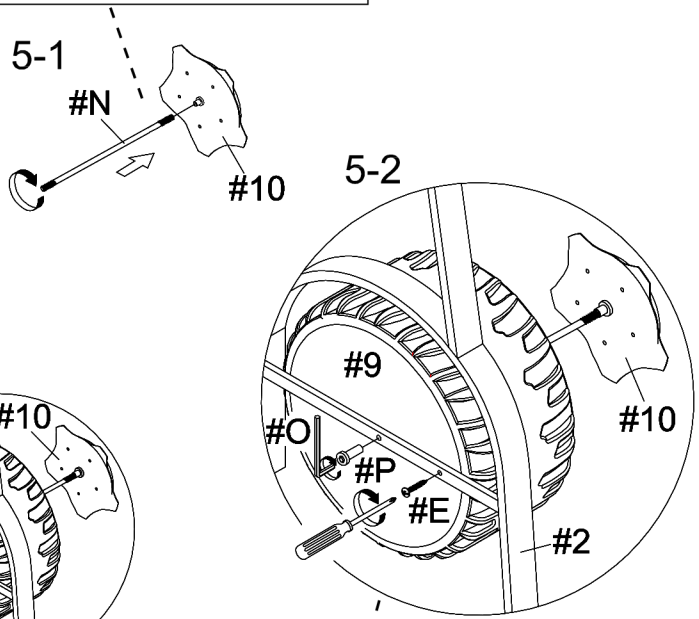


1. Place the desk top (#6) onto the support bars (#7). Then prepare 6 screws by inserting a flat washer (#M) onto the screws (#E), after that insert into the holes from below into the bars and secure using a Phillips screwdriver.

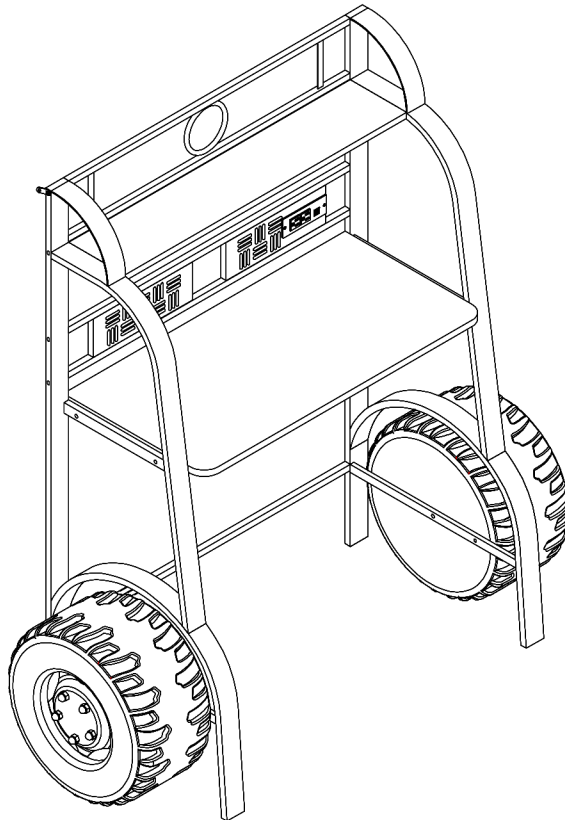
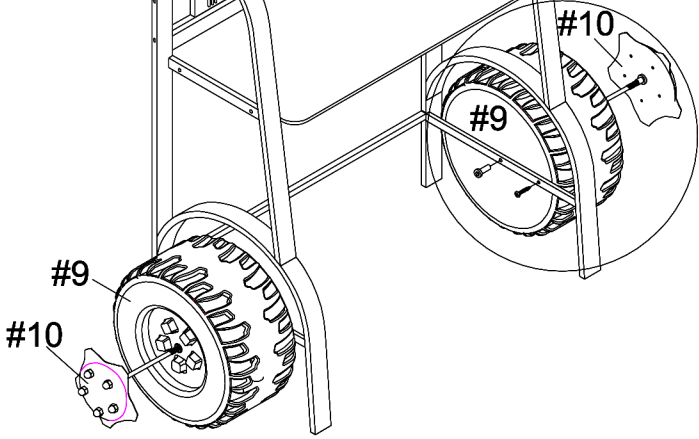


1. Insert a threaded end of the stub bolt (#N) into the wheel cover (#10), turn right to tighten.

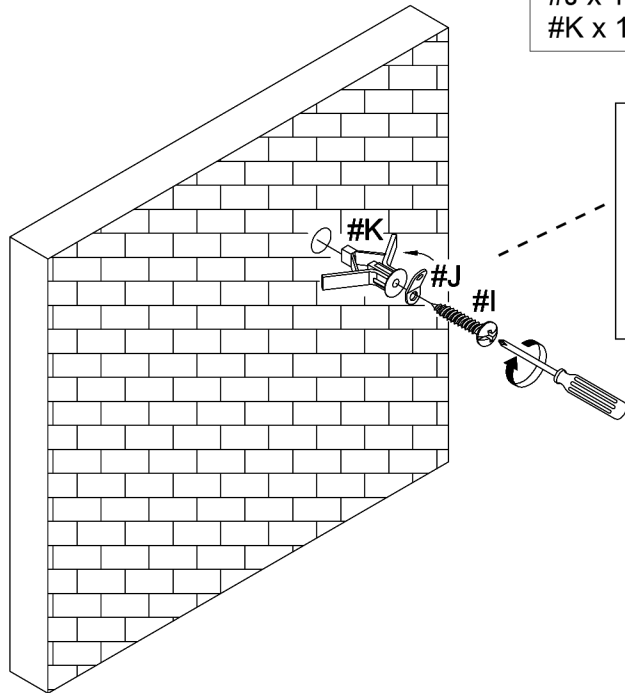
#E x 2pcs
#N x 2pcs
#P x 2pcs



2. Insert the other end of the stub bolt (#N) into the holes along the left and right support frames (#1,2), then apply a bolt (#P) and secure using the Allen wrench (#O). Insert a screw (#E) into the other holes to secure the wheel and secure using a Phillips screwdriver.

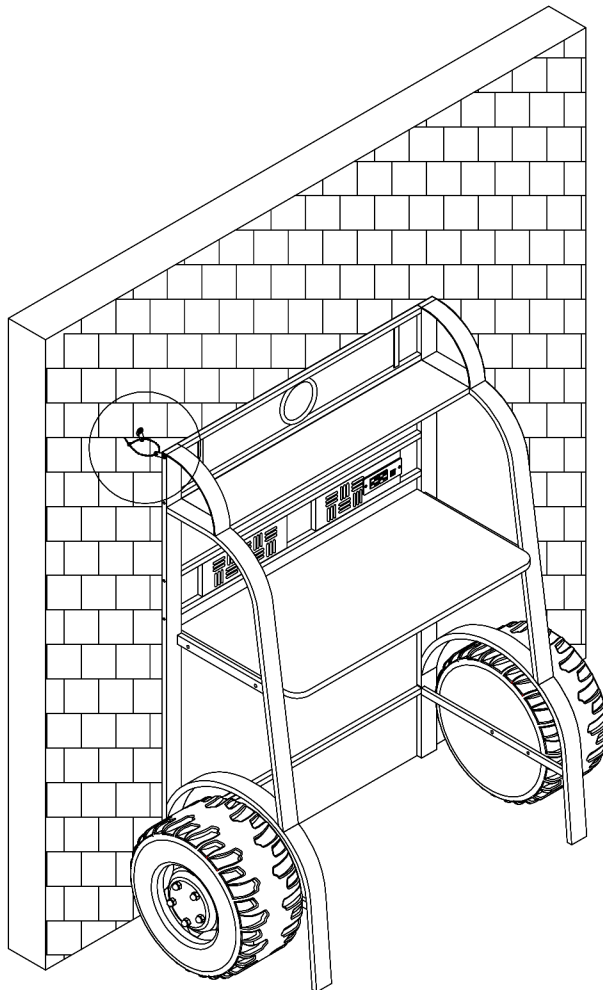


ASSEMBLY IS COMPLETED



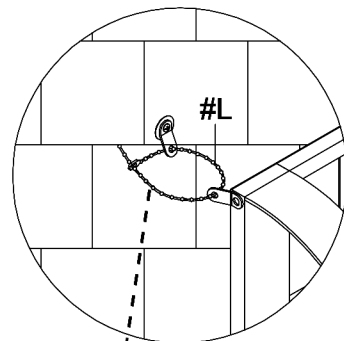
#I x 1pc
#J x 1pc
#K x 1pc

Drill a hole slightly smaller than the explosive nut (#K), then push the nut (#K) into the hole. After that align a keyhole slot (#J) to the nut and insert a screw (#I). Secure using a Phillips screwdriver.

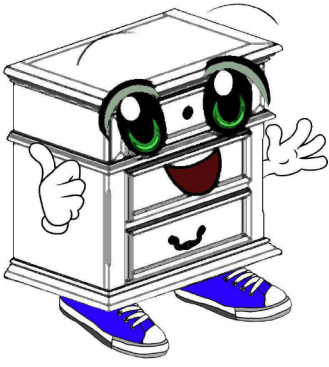


#L x 1pc

To Prevent Tip over
Product Must Be
Attached To Wall



Place the keyhole slots (#J) near each other and insert a tipping restraint (#L). Secure accordingly.

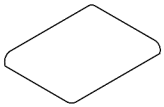


Before you begin, please read Page 2 of "Assembly and Care Advice".

And remember, do not tighten until each step is completed or instructed.

Parts List

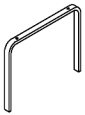
Hardware List



#1 x 1pc
Seat



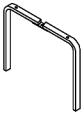
#A x 1pc
Bolt 1/4" X 3/8"



#2 x 1pc
Leg



#B x 4pcs
Bolt 1/4" X 1-1/8"



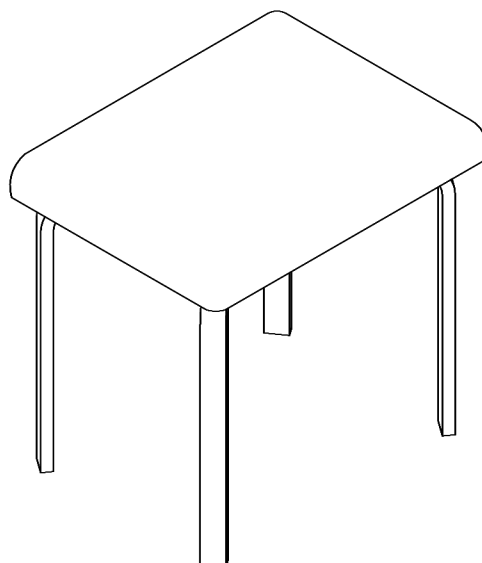
#3 x 1pc
Leg



#C x 1pc
Allen Wrench



#D x 4pcs
Rubber mat

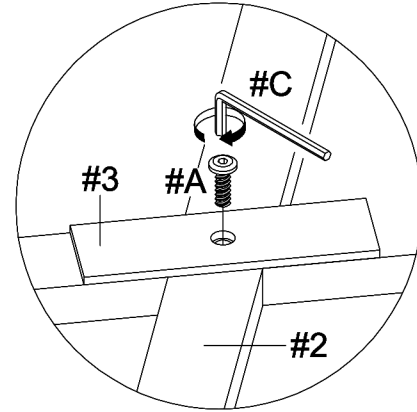
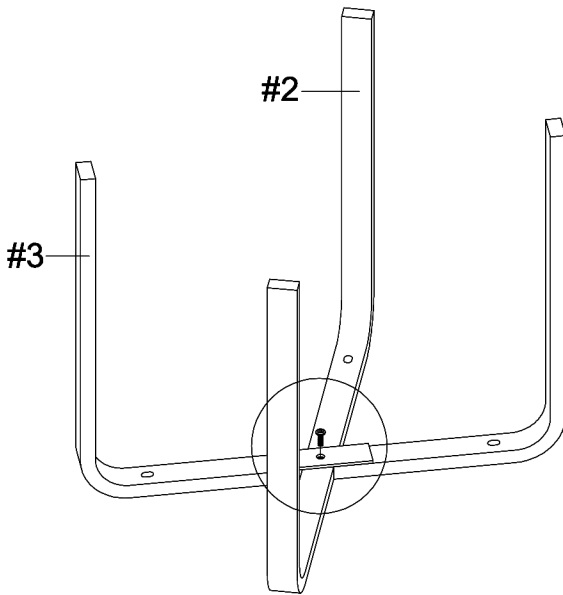




#1

#A x 1pc

Place the legs (#2) and (#3) face down and align the center hole, then insert a bolt (#A) and secure using the Allen wrench (#C).



#2

#B x 4pcs
#D x 4pcs

Place the seat (#1) face down, then place a rubber mat (#D) onto each hole. Place the legs face down onto those rubber mats (#D) and insert a bolt (#B) into each hole. Secure using the Allen wrench (#C).

