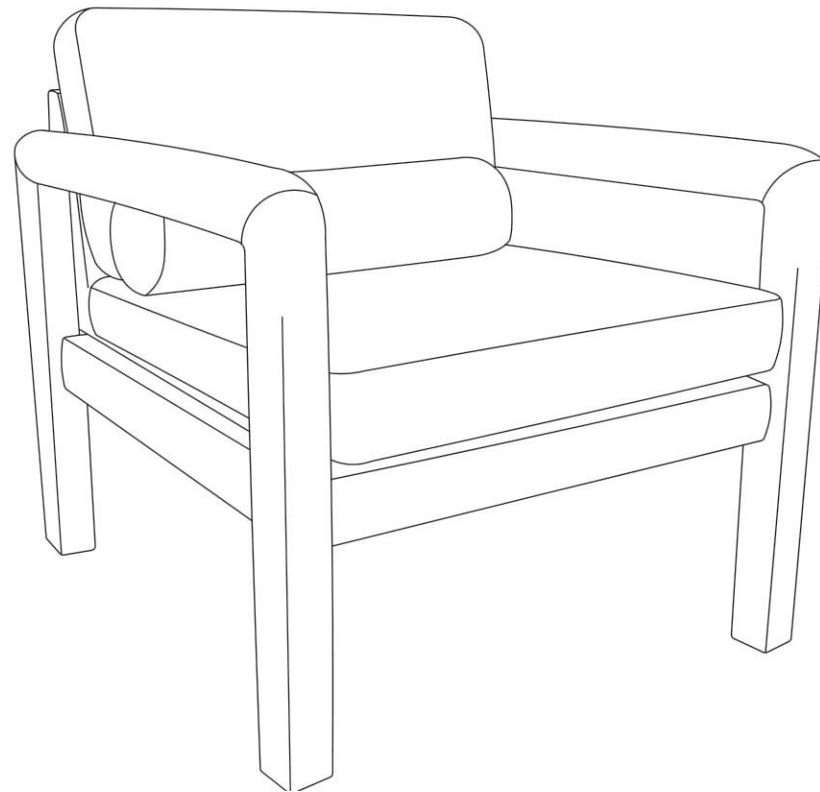
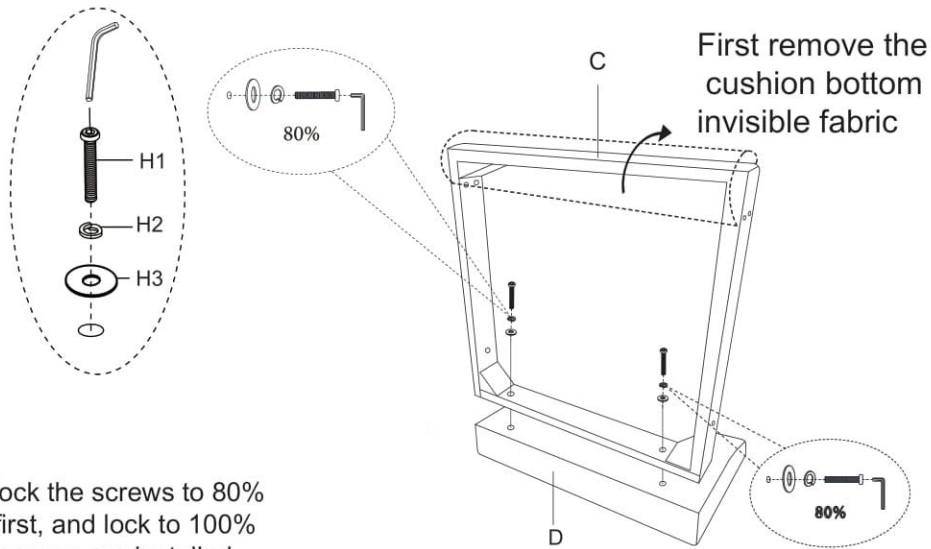
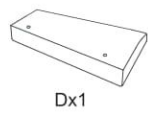
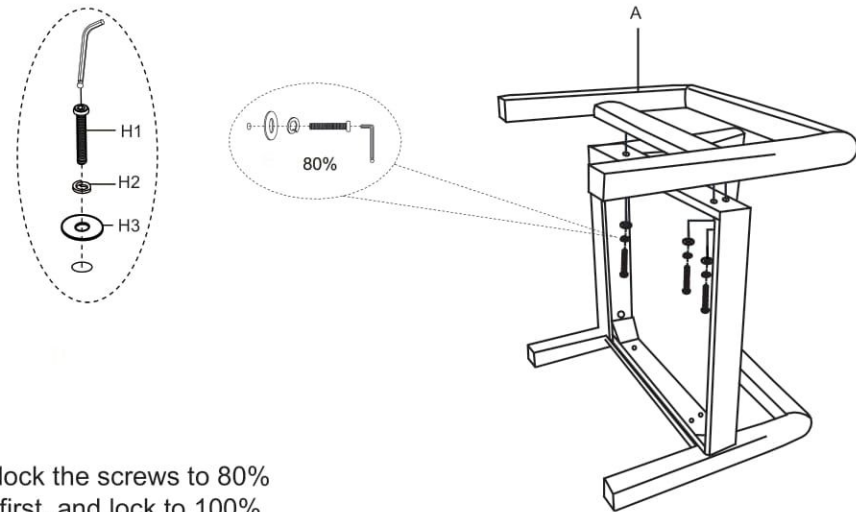


ASSEMBLY INSTRUCTIONS

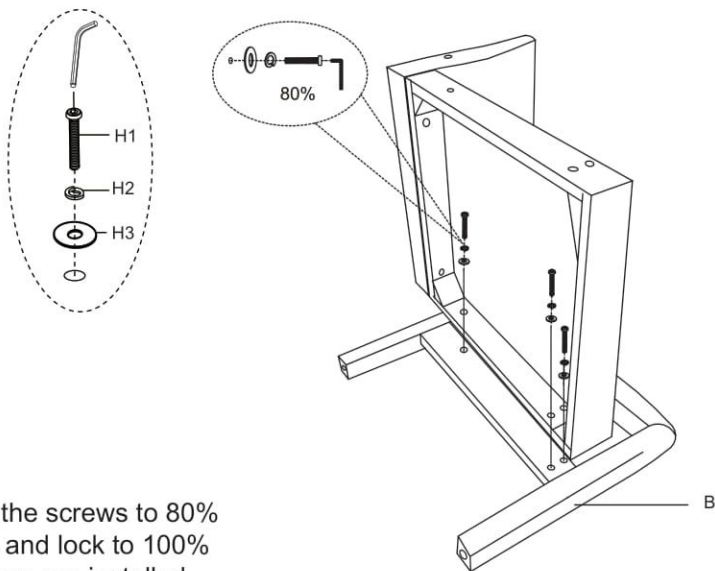


1

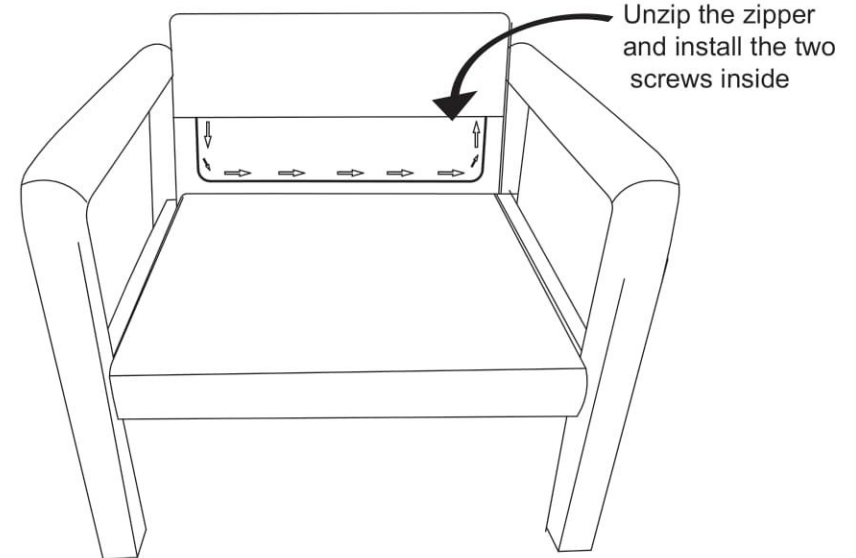
Please lock the screws to 80% degree first, and lock to 100% after all screws are installed.

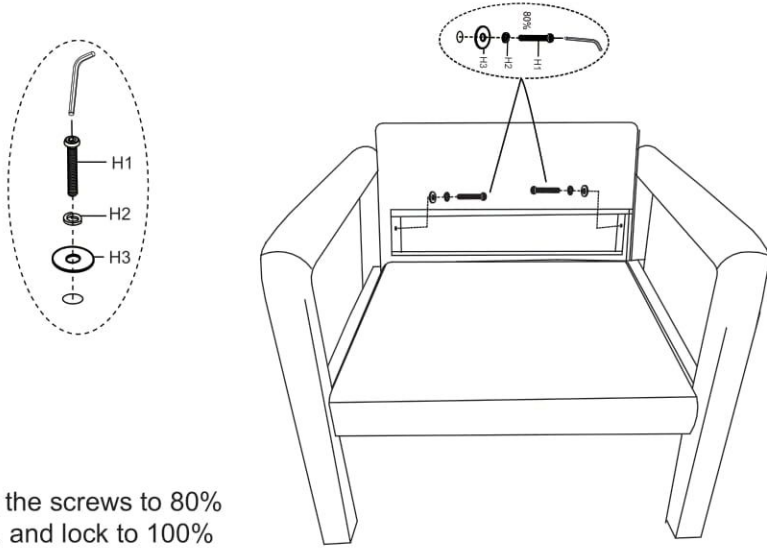
3

Please lock the screws to 80% degree first, and lock to 100% after all screws are installed.

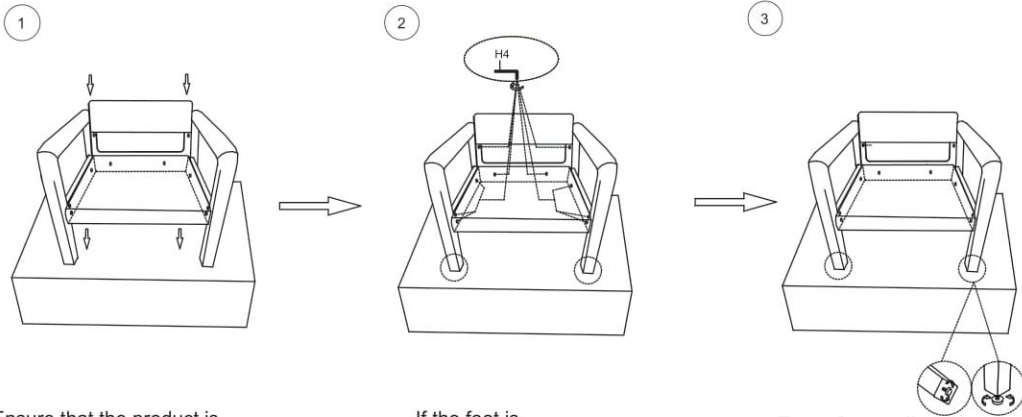
2

Please lock the screws to 80% degree first, and lock to 100% after all screws are installed.

4

5H1x2
H2x2
H3x2
H4x1


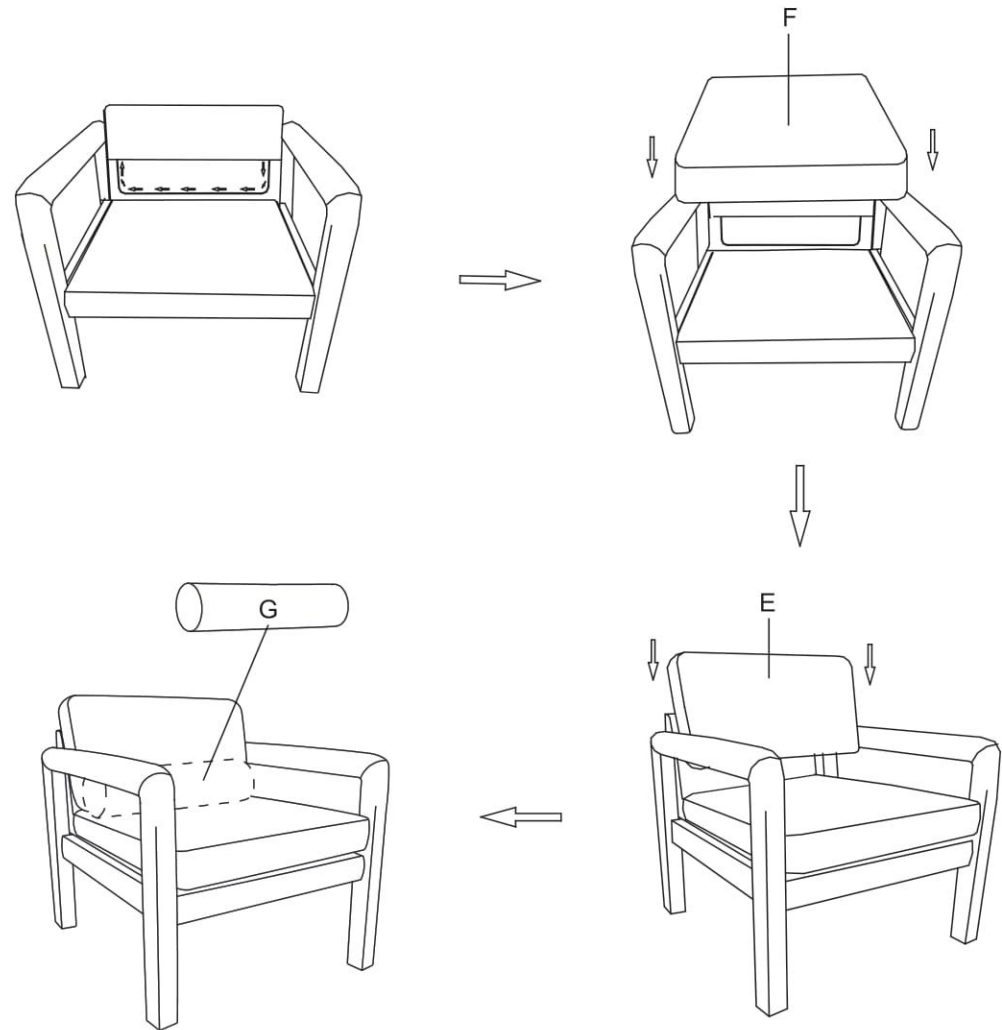
Please lock the screws to 80% degree first, and lock to 100% after all screws are installed.

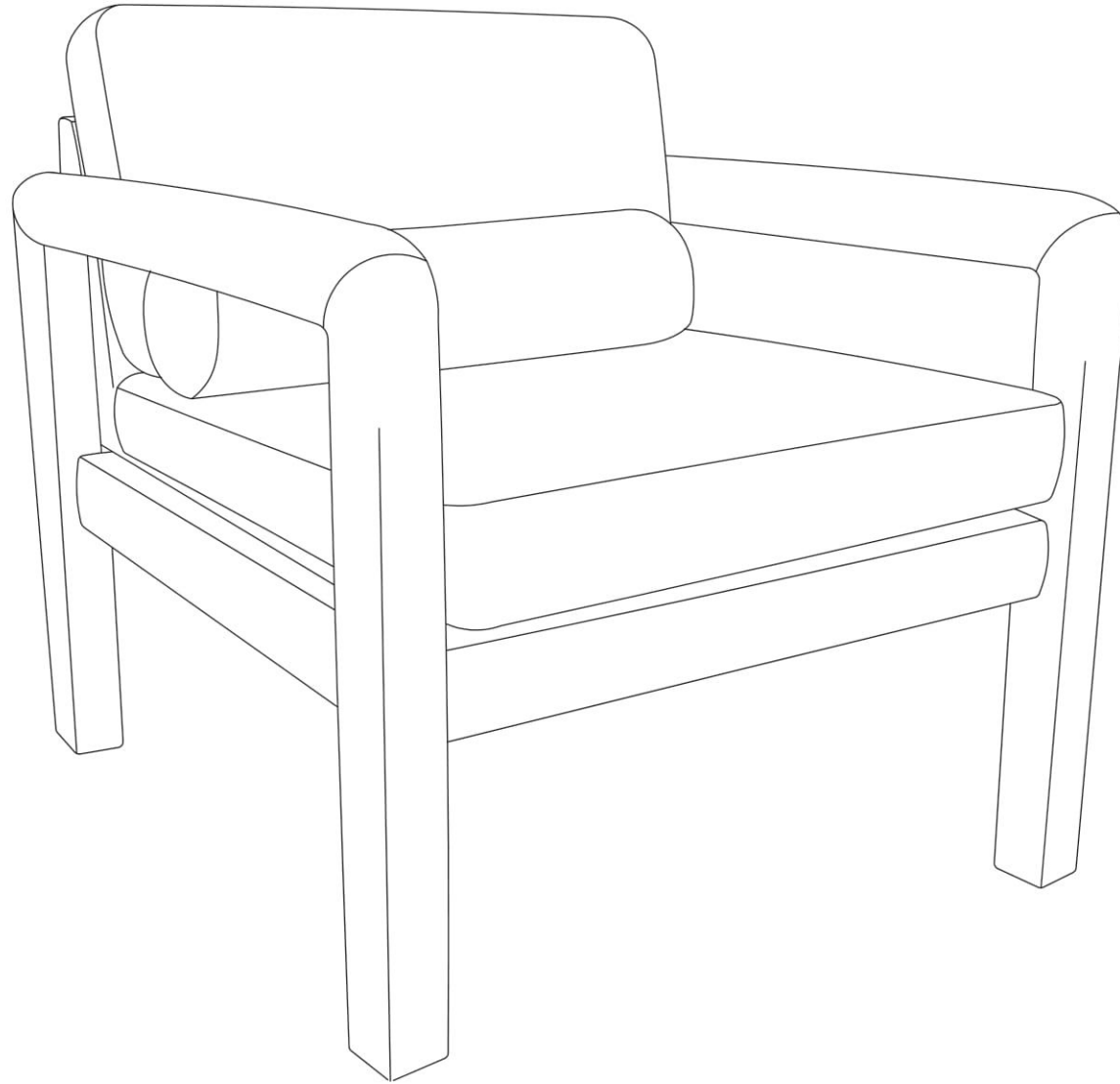
6

Ensure that the product is in a horizontal state, lock all screws, and then zip the bottom invisible fabric back

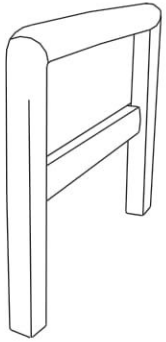
If the foot is still not stable after installation, adjust the front leg nail to adjust

Front foot nails are adjustable, rear foot nails are not adjustable

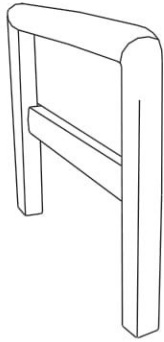
7



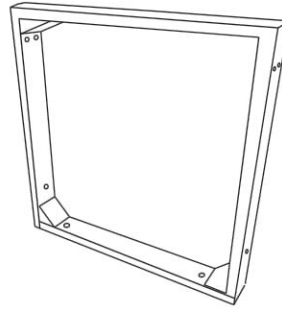
SPARE PARTS



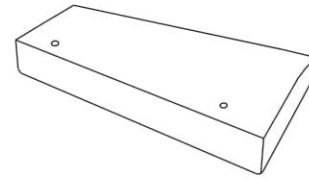
Ax1_{RIGHT}



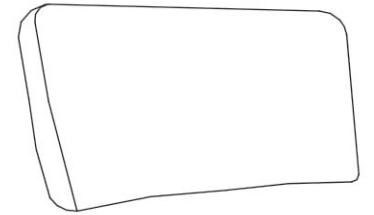
Bx1_{LEFT}



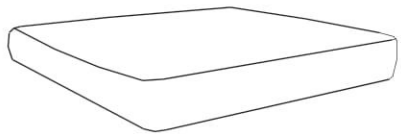
Cx1



Dx1



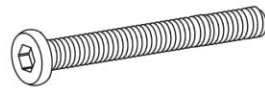
Ex1



Fx1



Gx1



H1x10+1extra
M8*55mm



H2x10+1extra



H3x10+1extra



H4x1