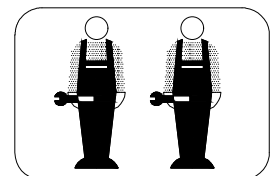
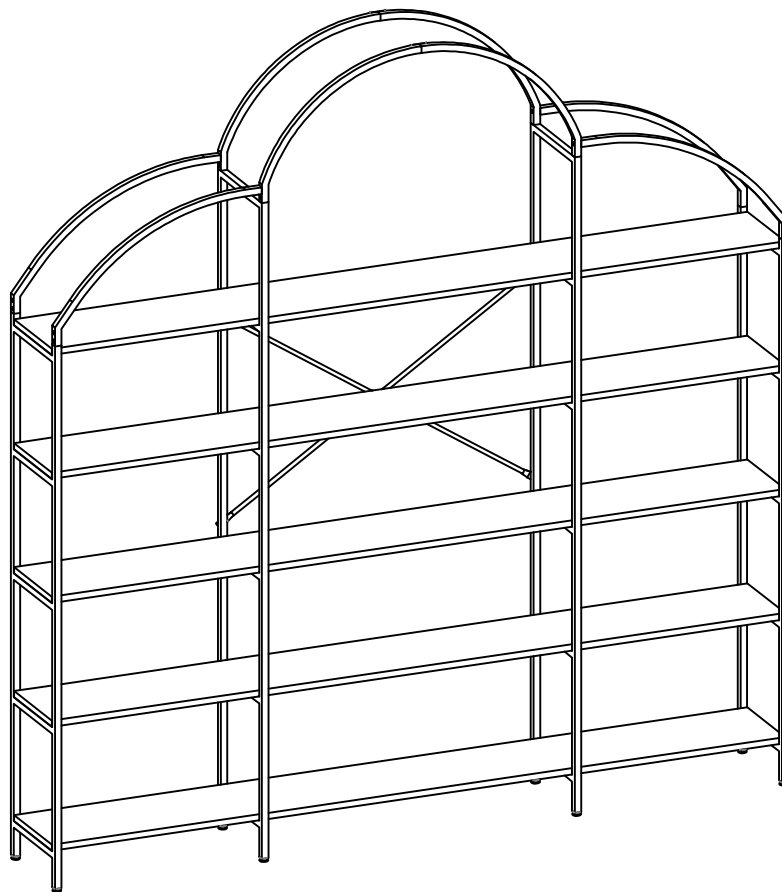
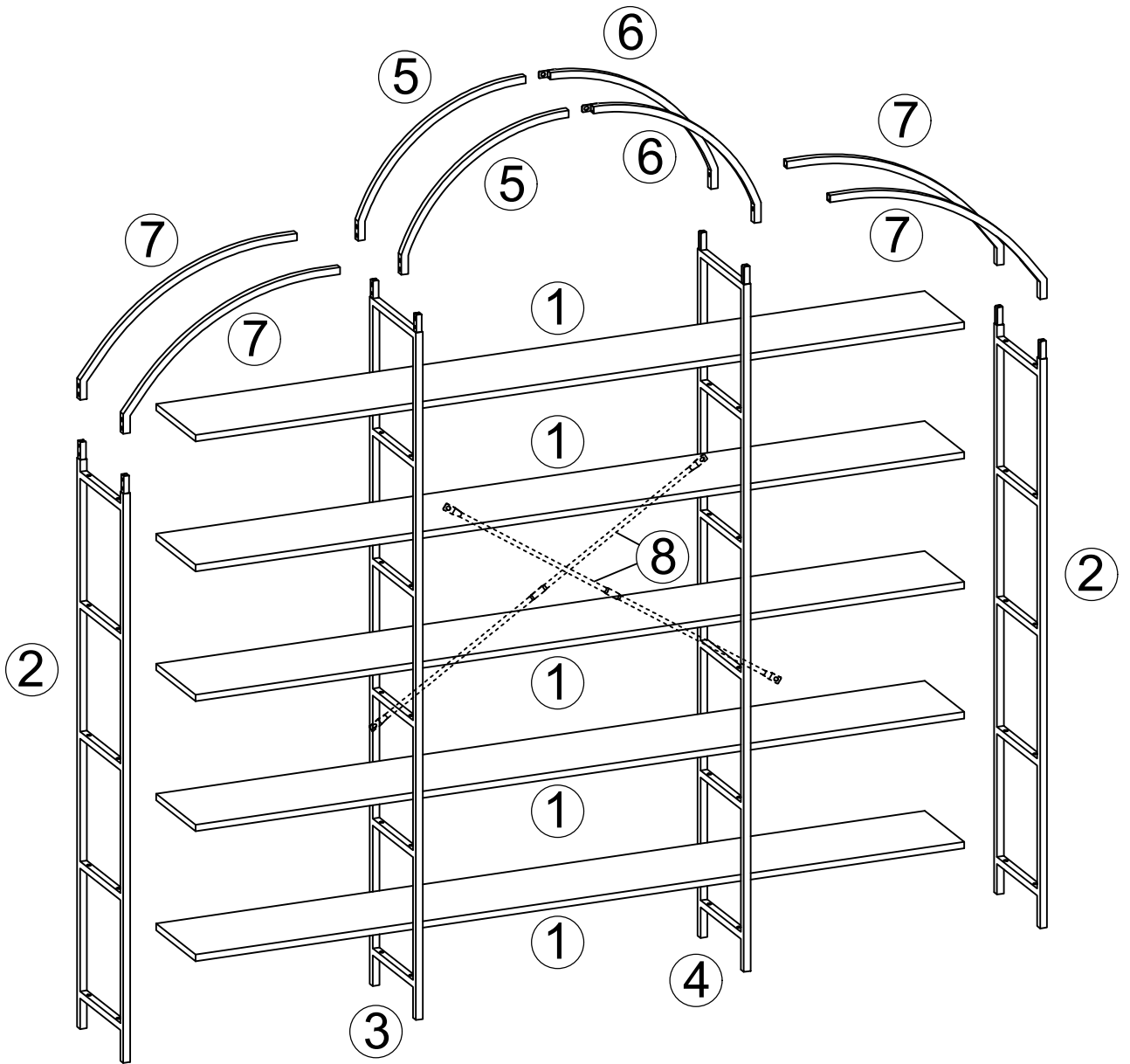






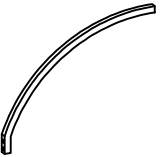

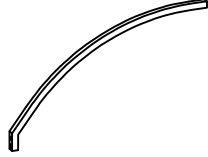

ASSEMBLY INSTRUCTIONS

WF306847


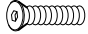
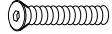
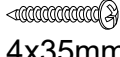








Part List

			
①×5pcs	②×2pcs	③×1pc	④×1pc
			
⑤×2pcs	⑥×2pcs	⑦×4pcs	⑧×2pcs

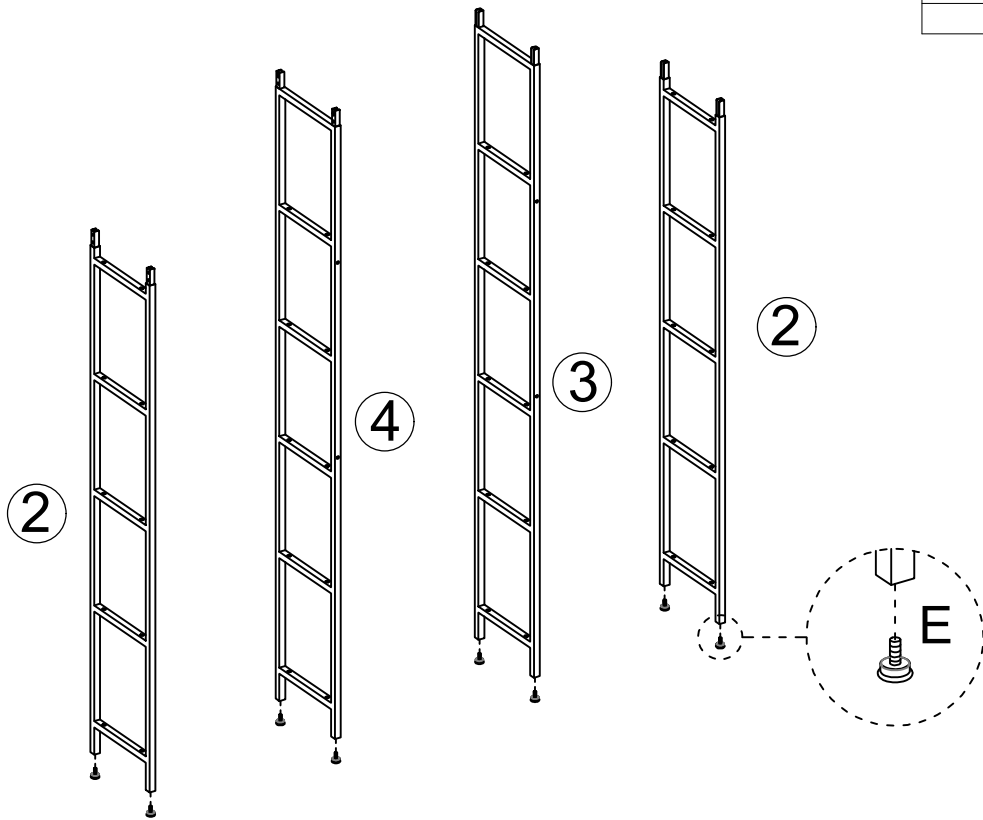
Hardware List

 M6×12mm	 M6×25mm	 M6×35mm	 4x35mm	 E×8pcs
Ⓐ×18pcs	Ⓑ×40pcs	Ⓒ×4pcs	Ⓓ×2pcs	
 Φ6x30mm				
Ⓕ×2pcs	Ⓖ×2pcs	Ⓗ×1pc		

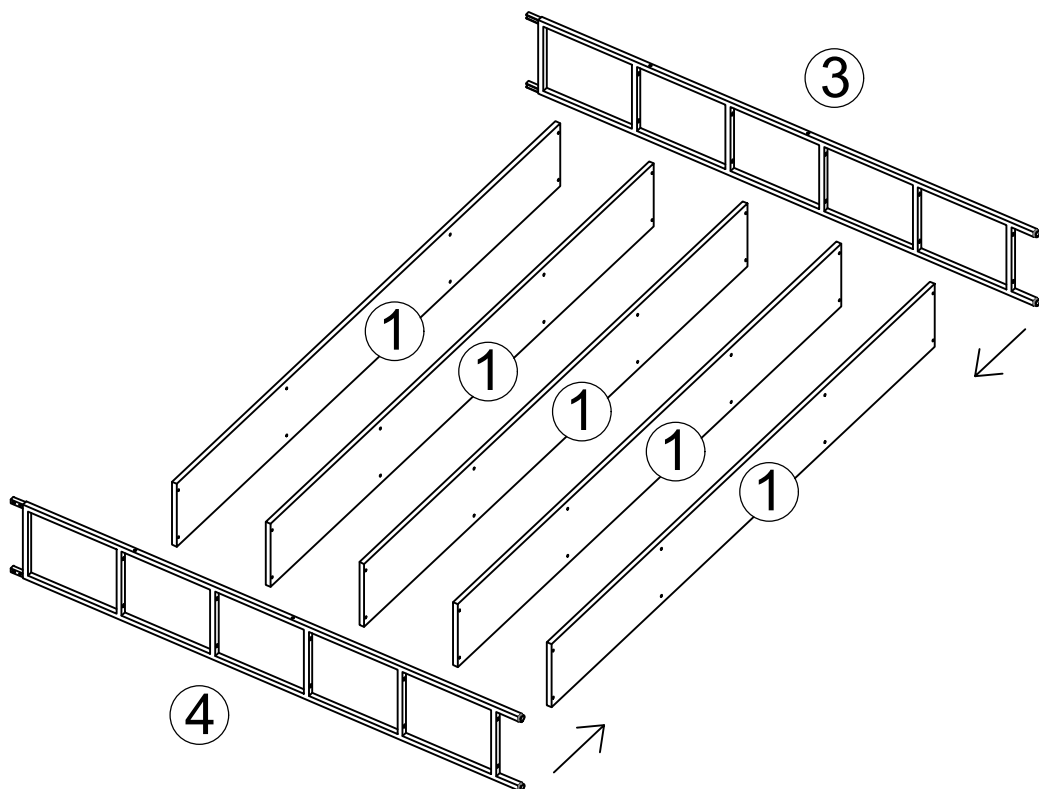
Step 1



ⓔ × 8 pcs



Step 2

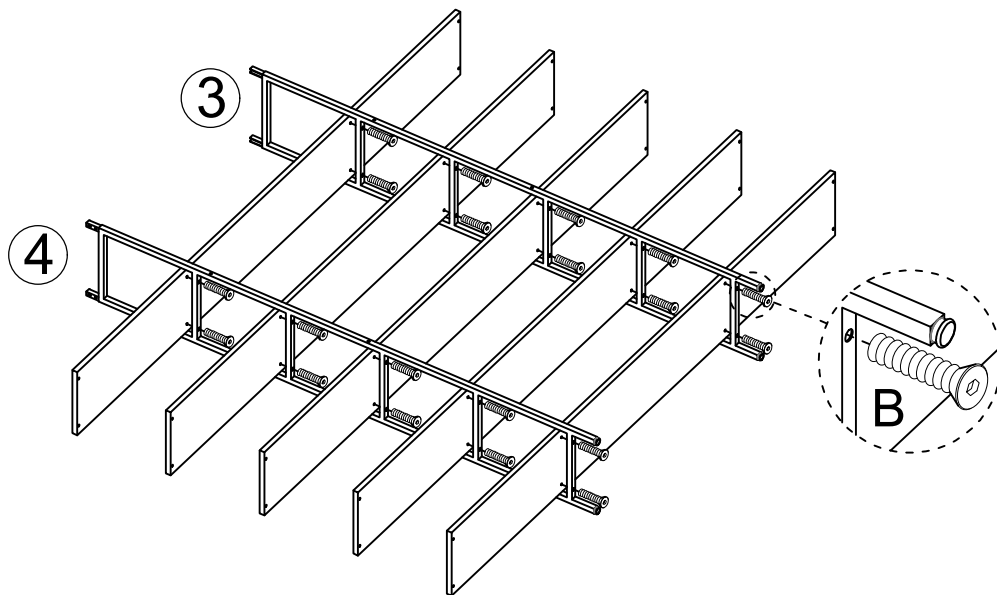


Step 3

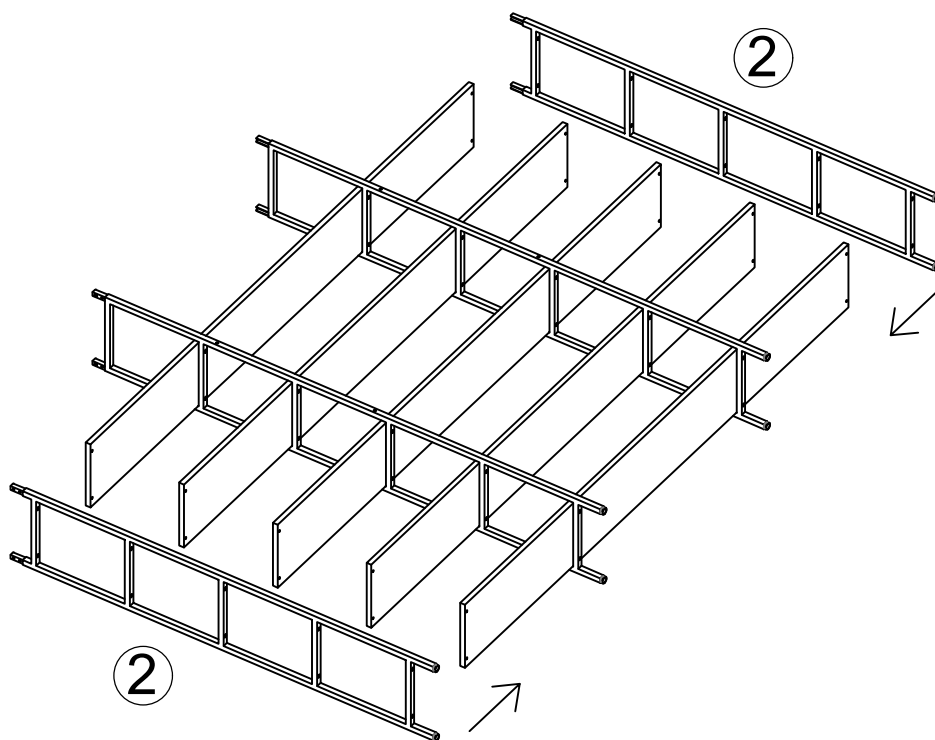


M6×25mm

(B)×20pcs



Step 4

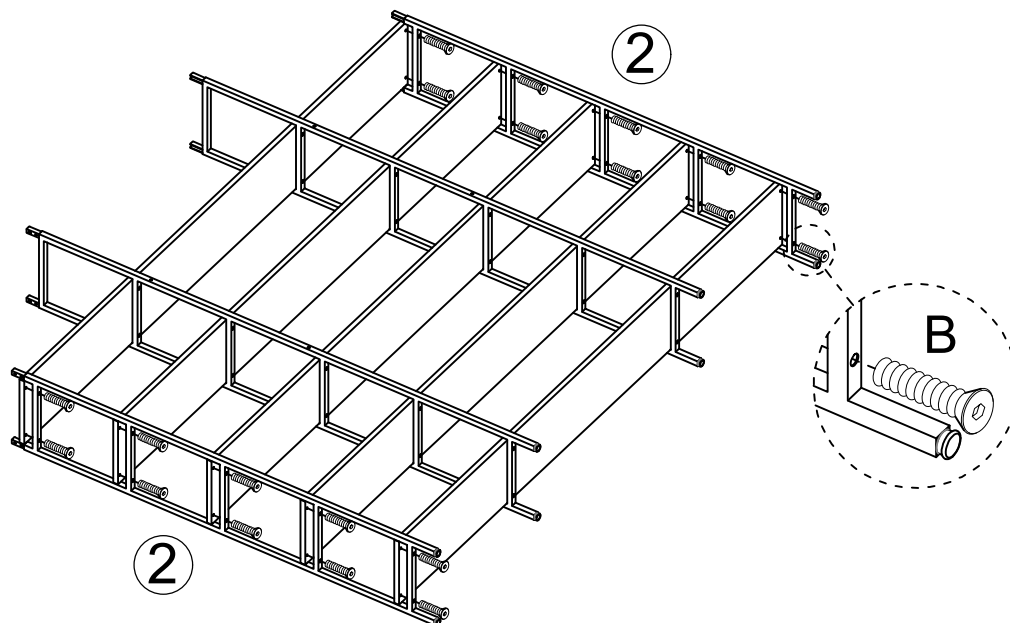


Step 5



M6×25mm

Ⓑ×20pcs

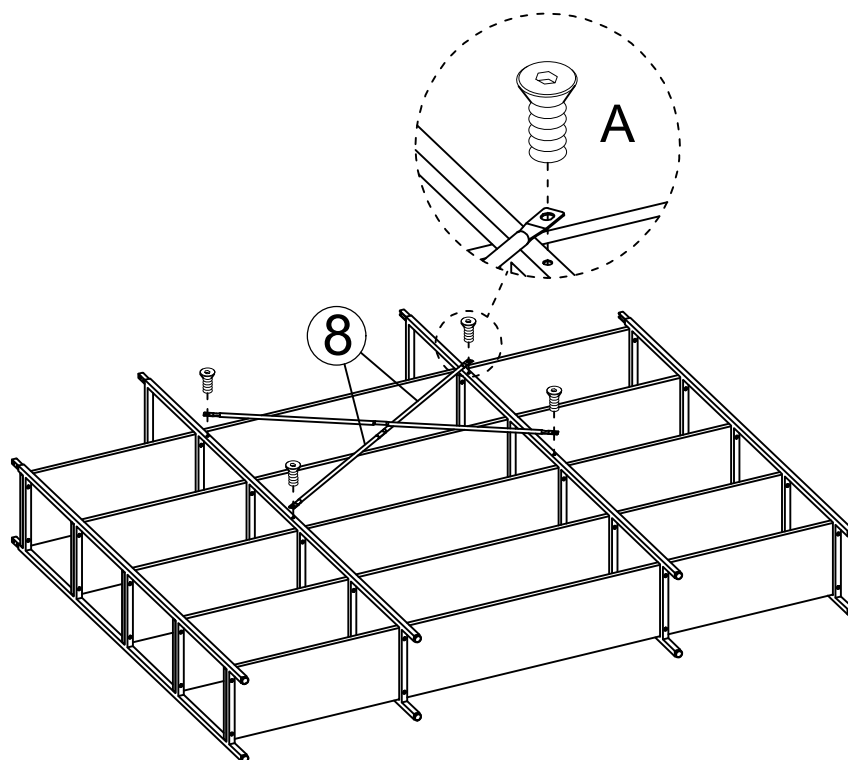


Step 6

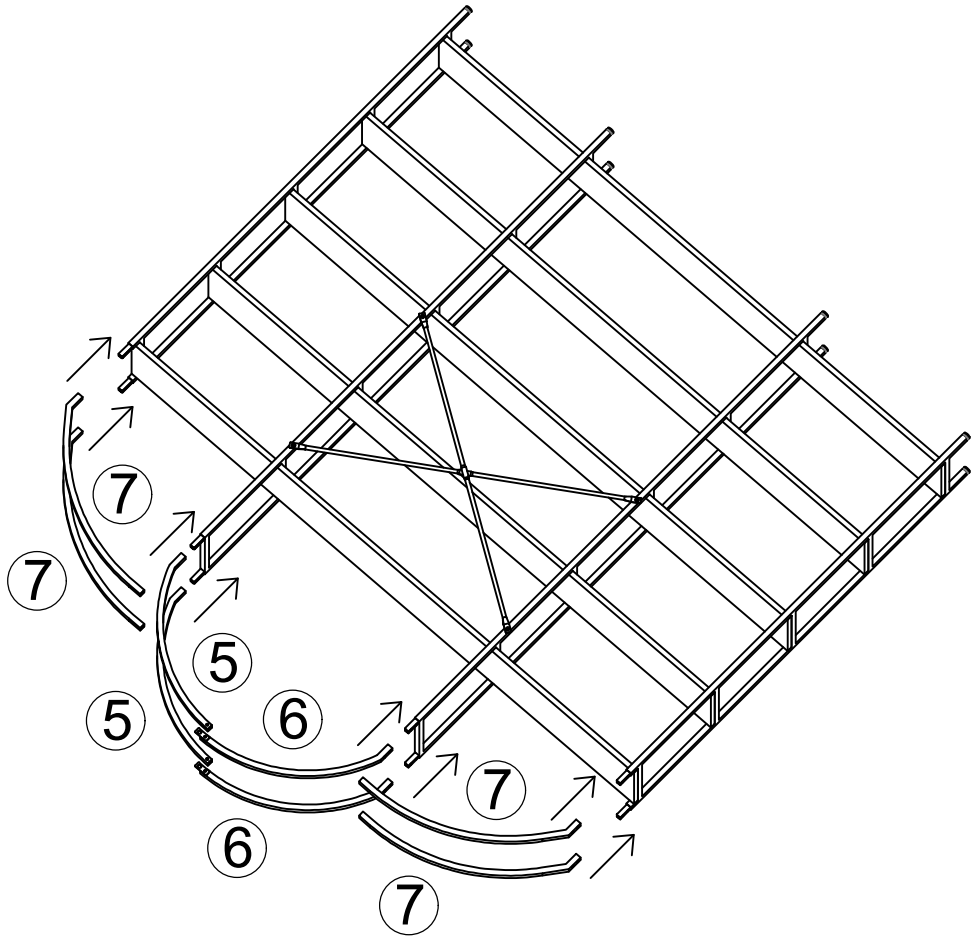


M6×12mm


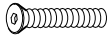
Ⓐ×4pcs

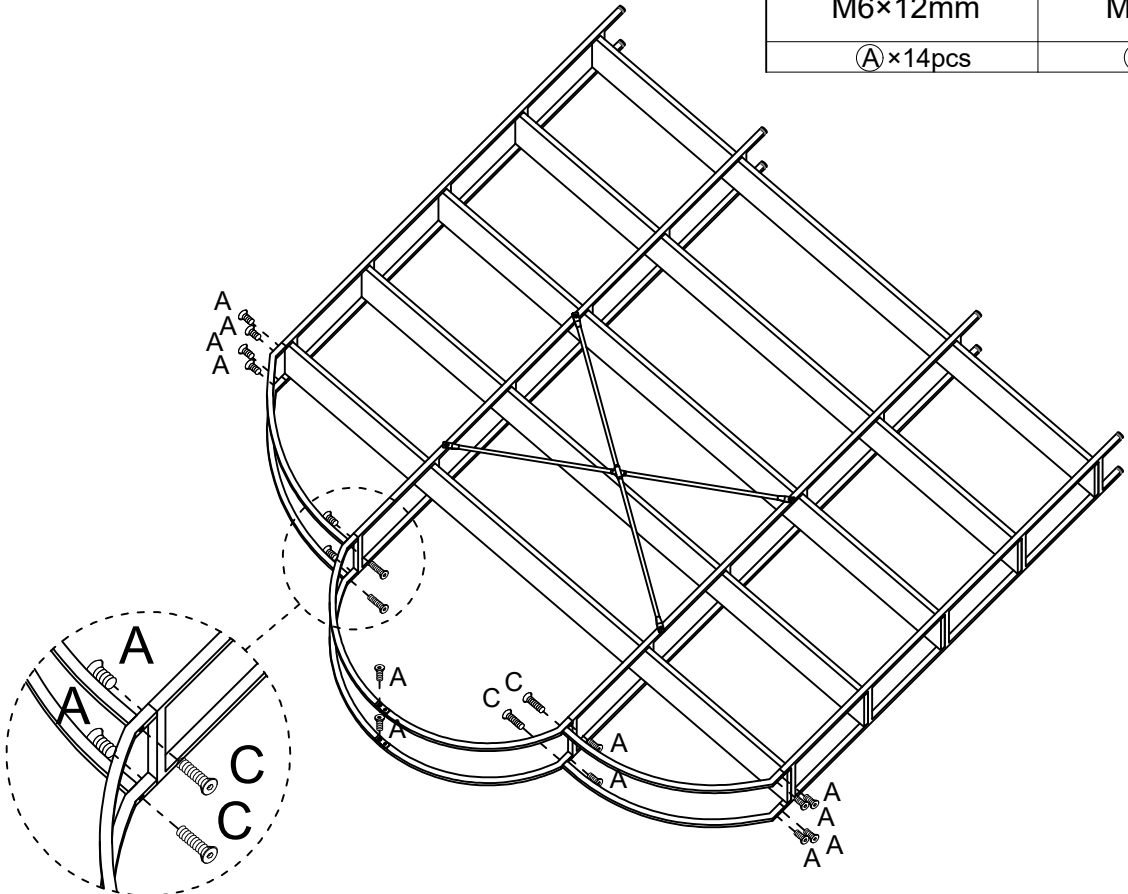


Step 7



Step 8

 M6×12mm	 M6×35mm
Ⓐ×14pcs	Ⓒ×4pcs



Step 9



4x35mm

Ⓓ×2pcs



Φ6x30mm

Ⓕ×2pcs



Ⓖ×2pcs

