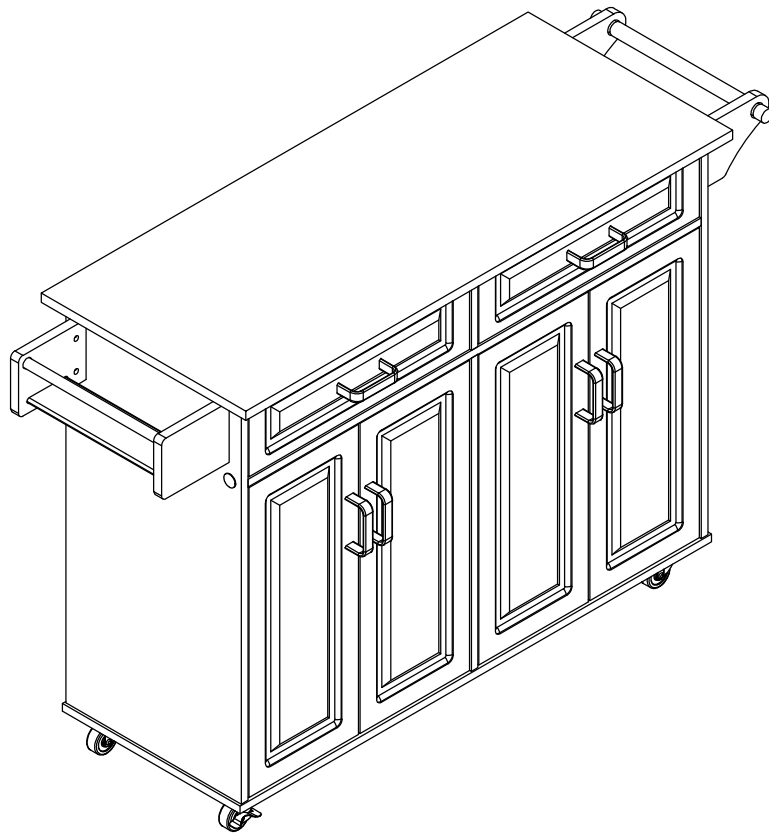


Kitchen Cart



If you have any questions, please feel free to contact us via email: vip-service03@yeah.net

General Guidelines

- Please read the following instruction carefully and use the product accordingly.
- Please keep this manual and hand it over when you transfer the product.
- This summary may not include every detail of all variations and considered steps. Please contact us when further information and help are needed.

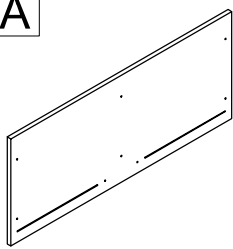
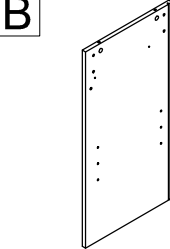
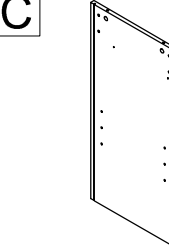
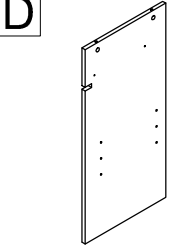
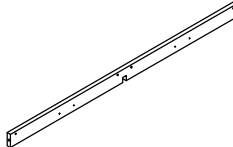
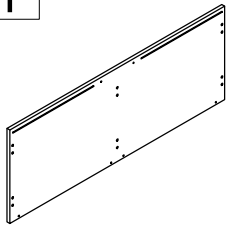
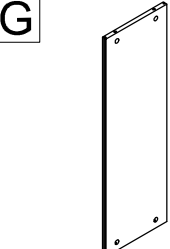
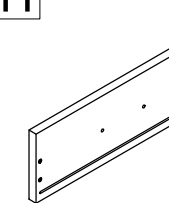
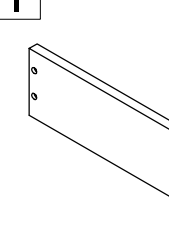
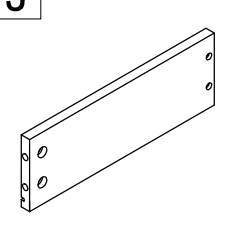
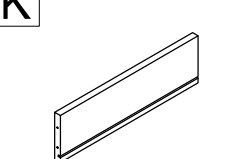
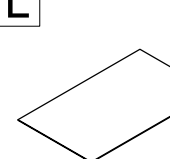
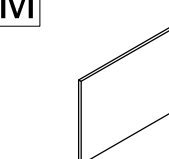
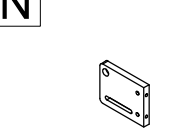
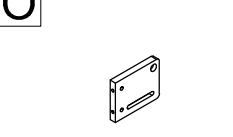
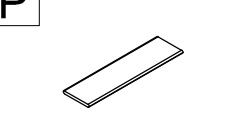
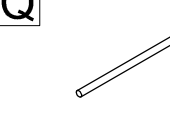
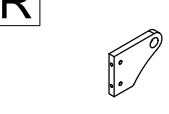
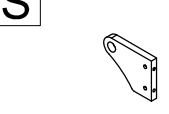
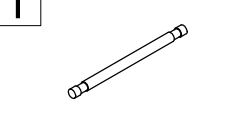
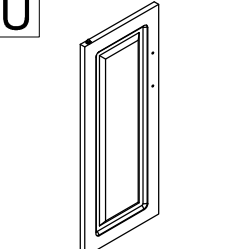
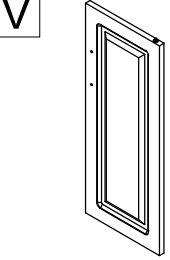
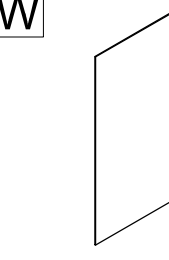
Notes

- The product is intended for indoor use only. The product must be assembled and used in accordance with the provisions of the manual. Personal injury and/or damage to product may occur if products are used outside of their intended purposes and/or if products have been changed/modified from their original design. The seller does not assume any responsibility or liability with respect to any injury/damage caused by incorrect assembly or improper use.
- Avoid long-term exposure to humid environments to prevent mildew.
- Keep the product away from fire sources and high temperatures. Do not expose the product to direct sunlight.
- Do not place any hot objects on the surface of the product.
- If there are any defective or missing parts after unpacking, please cease assembly immediately and contact us.
- Please assemble the item on a spacious surface and do not place the unwrapped product directly on the ground to avoid product damage.
- Please do not stand or sit on the wooden boards.
- Please wear gloves during the assembly and/or disassembly process to avoid scratches from any sharp edges.
- Please match the corresponding part and fitting based on the part number in the manual.
- If the part does not match with the fitting, please check the piece as specified in this manual.
- During assembly, first loosely align all screws with the corresponding pre-drilled holes and then tighten the screws one by one.
- Periodically inspect screw tightness while the product is in use. If necessary, retighten to ensure structural integrity.
- If you accidentally spill water or another liquid on the surface, immediately wipe clean with a dry towel.
- Please keep the product away from sharp, pointed objects and corrosive substances to prevent product damage.
- Please place this item on level, solid ground during use.

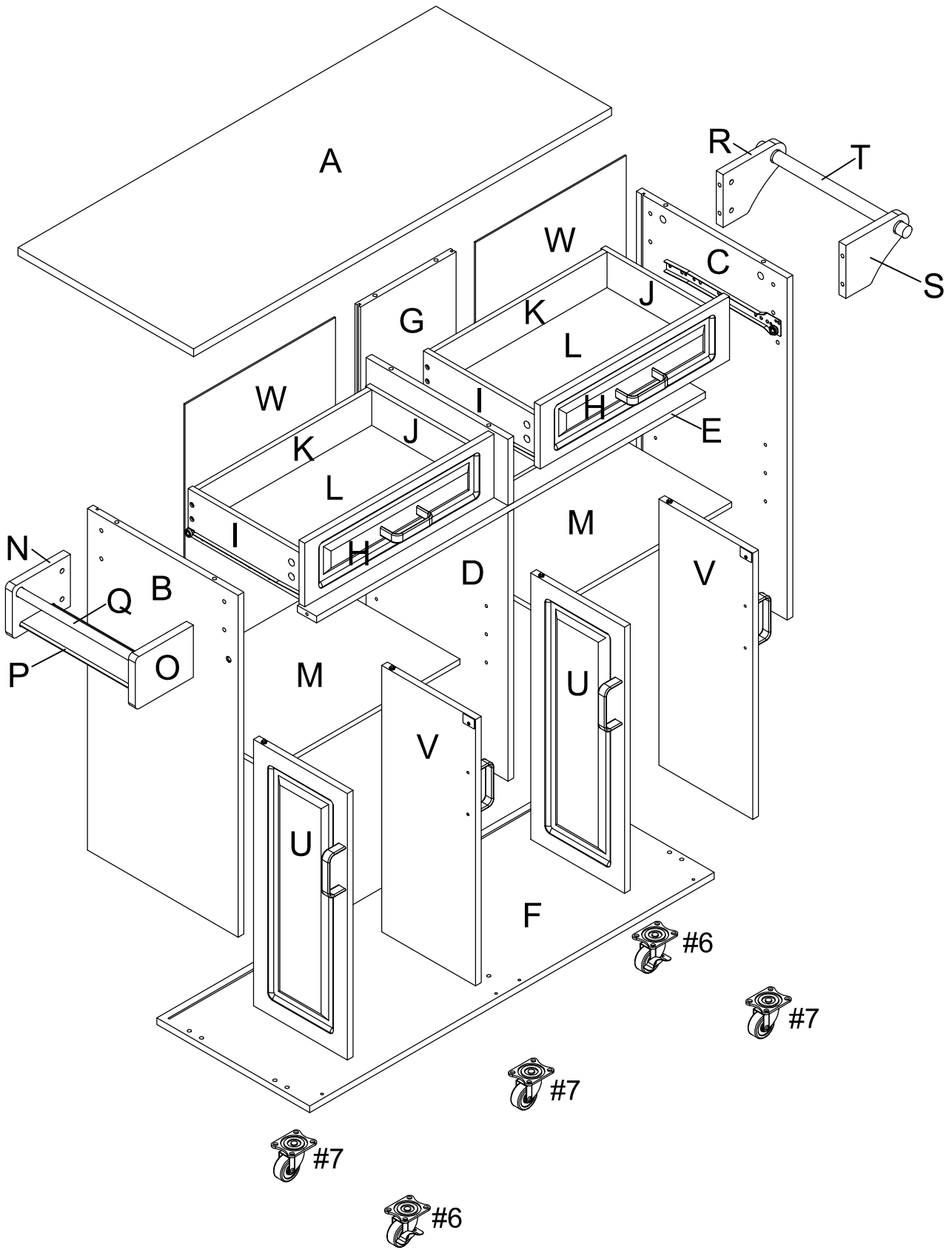
Warnings

- During assembly, keep all small parts out of the reach of children. It may be fatal if swallowed or inhaled.
- Children should not climb or play on the product in order to avoid tipping over the furniture and causing serious injury.
- To avoid the potential dangers of suffocation, please keep all parts and packaging (film, plastic bags, foam, etc.) away from babies and children.
- Keep sharp objects and corrosive items away from the product to avoid any damage or injury.
- Do not shake or move violently during use to avoid tipping over the product.


PART LIST

				
<p>Top Panel 1 PC</p>	<p>Left Panel 1 PC</p>	<p>Right Panel 1 PC</p>	<p>Partition Panel 1 PC</p>	<p>Center Rail 1 PC</p>
				
<p>Bottom Panel 1 PC</p>	<p>Back Post 1 PC</p>	<p>Drawer Front Panel 2 PCS</p>	<p>Drawer Left Panel 2 PCS</p>	<p>Drawer Right Panel 2 PCS</p>
				
<p>Drawer Back Panel 2 PCS</p>	<p>Drawer Bottom Panel 2 PCS</p>	<p>Adjustable Shelf 2 PCS</p>	<p>Spice Rack Left Support 1 PC</p>	<p>Spice Rack Right Support 1 PC</p>
				
<p>Spice Rack Bottom Panel 1 PC</p>	<p>Spice Rack Bar 1 PC</p>	<p>Towel Rack Left Support 1 PC</p>	<p>Towel Rack Right Support 1 PC</p>	<p>Towel Rod 1 PC</p>
				
<p>Left Door 2 PCS</p>	<p>Right Door 2 PCS</p>	<p>Back Panel 2 PCS</p>		

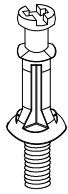
ASSEMBLY OVERVIEW



HARDWARE LIST

<p>#1</p>  <p>Ø7*38mm</p>	<p>#2</p>  <p>Ø8*30mm</p>	<p>#3</p>  <p>Ø8.5*25mm</p>	<p>#4</p>  <p>Ø6*35mm</p>	<p>#5</p>  <p>Ø15*9mm</p>
<p>Screw</p>	<p>Wood Dowel</p>	<p>Screw</p>	<p>Cam-bolt</p>	<p>Cam-lock</p>
<p>8 PCS (Extra 2)</p>	<p>6PCS (Extra 2)</p>	<p>8PCS (Extra 2)</p>	<p>18PCS (Extra 6)</p>	<p>18PCS(Extra 6)</p>
<p>#6</p>  <p>3"</p>	<p>#7</p>  <p>3"</p>	<p>#8</p>  <p>Ø4.5*13mm</p>	<p>#9</p> 	<p>#10</p>  <p>Ø3.5*15mm</p>
<p>Caster With Lock</p>	<p>Caster</p>	<p>Screw</p>	<p>Back Bracket</p>	<p>Screw</p>
<p>2 PCS</p>	<p>3 PCS</p>	<p>20 PCS (Extra 4)</p>	<p>12 PCS</p>	<p>16 PCS (Extra 4)</p>
<p>#11</p>  <p>102*25*20mm</p>	<p>#12</p>  <p>M4*20mm</p>	<p>#13</p>  <p>M6*Ø9.5*10mm</p>	<p>#14</p>  <p>M6*45mm</p>	<p>#15</p>  <p>Ø3.5*12mm</p>
<p>Handle</p>	<p>Round Head Bolt</p>	<p>Barrel Nut</p>	<p>Bolt</p>	<p>Screw</p>
<p>6 PCS</p>	<p>12 PCS (Extra 2)</p>	<p>8 PCS (Extra 2)</p>	<p>8 PCS (Extra 2)</p>	<p>24 PCS (Extra 8)</p>
<p>#16</p>  <p>Ø6.5mm</p>	<p>#17</p>  <p>70*17*13mm</p>	<p>#18</p>  <p>30*22*1mm</p>	<p>#19</p>  <p>4mm</p>	<p>#20</p>  <p>12"</p>
<p>Shelf Holder</p>	<p>Door Magnet</p>	<p>Door Small Plate</p>	<p>Allen Wrench</p>	<p>Left Drawer Slide Set (A)</p>
<p>8 PCS (Extra 2)</p>	<p>2 PCS</p>	<p>4 PCS</p>	<p>1 PC</p>	<p>2 PCS</p>
<p>#21</p>  <p>12"</p>	<p>#22</p>  <p>12"</p>	<p>#23</p>  <p>12"</p>	<p>#24</p>  <p>Ø20mm</p>	
<p>Left Drawer Slide Set (B)</p>	<p>Right Drawer Slide Set (A)</p>	<p>Right Drawer Slide Set (B)</p>	<p>Holes Cover</p>	<p>Phillips Screwdriver</p>
<p>2 PCS</p>	<p>2 PCS</p>	<p>2 PCS</p>	<p>2 PCS (Extra 1)</p>	<p>1 PC</p>

Instructions For Fastening CAM-BOLT and CAM-LOCK

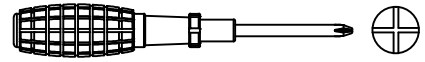


CAM-BOLT

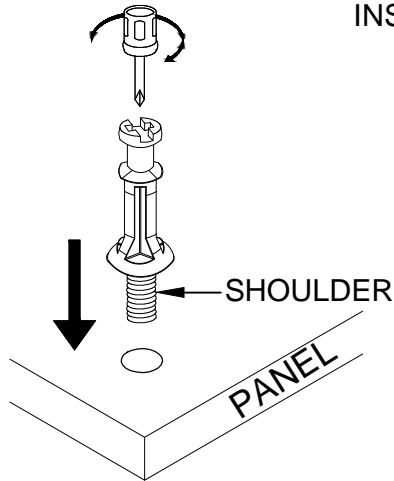


CAM-LOCK

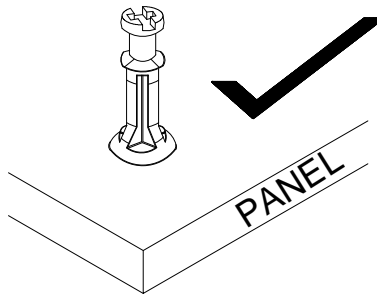
Tools Required



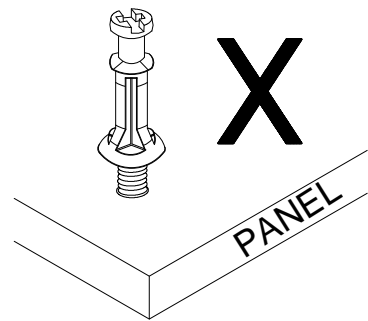
INSERTING AND TIGHTENING CAM-BOLT



Place Cam-bolt on pre-drilled hole and screw in vertically



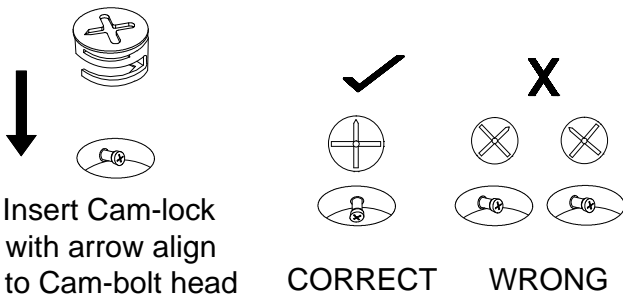
Shoulder is flushed (on the same level) with the panel.



Shoulder is above the panel.

Place Cam-bolt on the designated pre-drilled holes on the panel. Use a Phillips Screwdriver to screw-in Cam-bolt vertically until shoulder is flushed (on the same level) with panel.

INSERTING CAM-LOCK



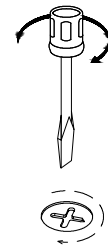
Insert Cam-lock with arrow align to Cam-bolt head

CORRECT

WRONG

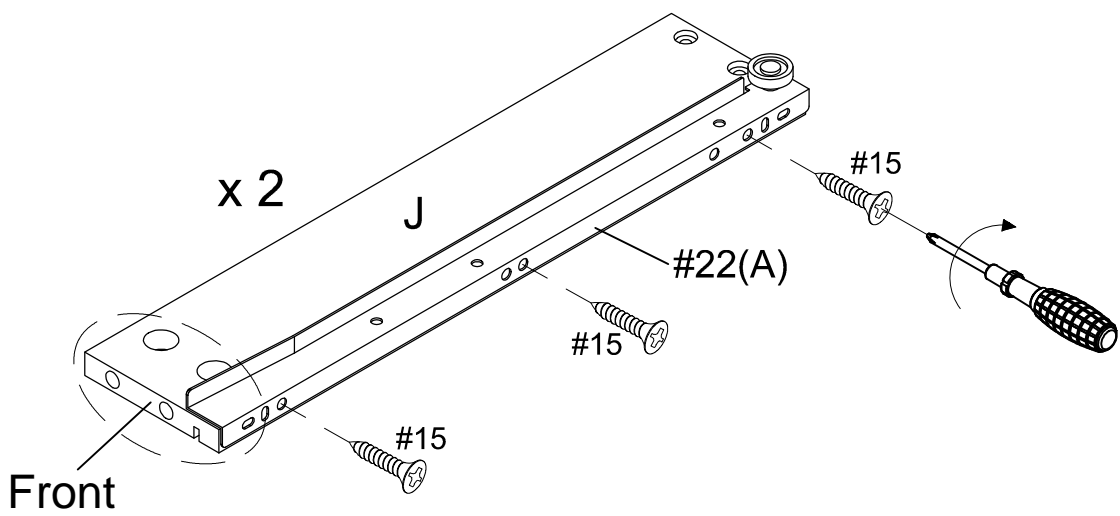
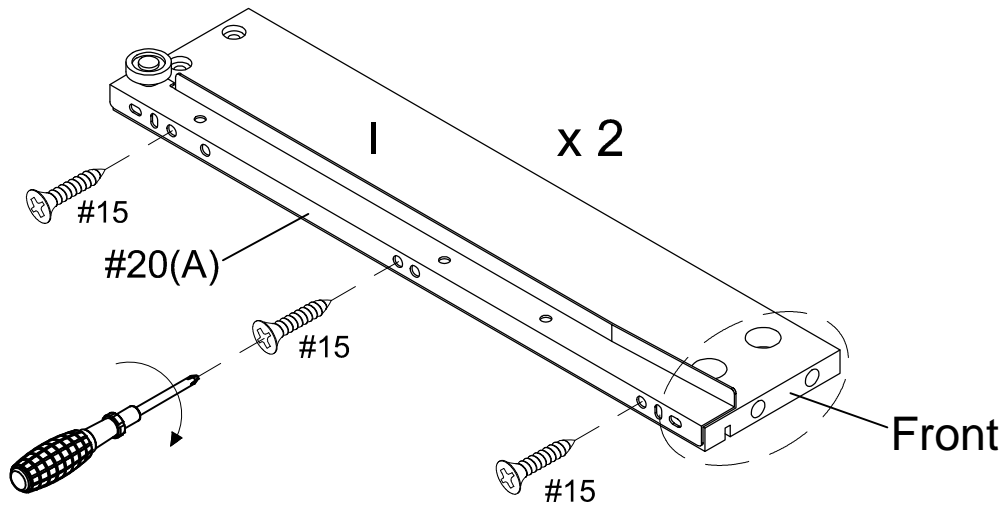
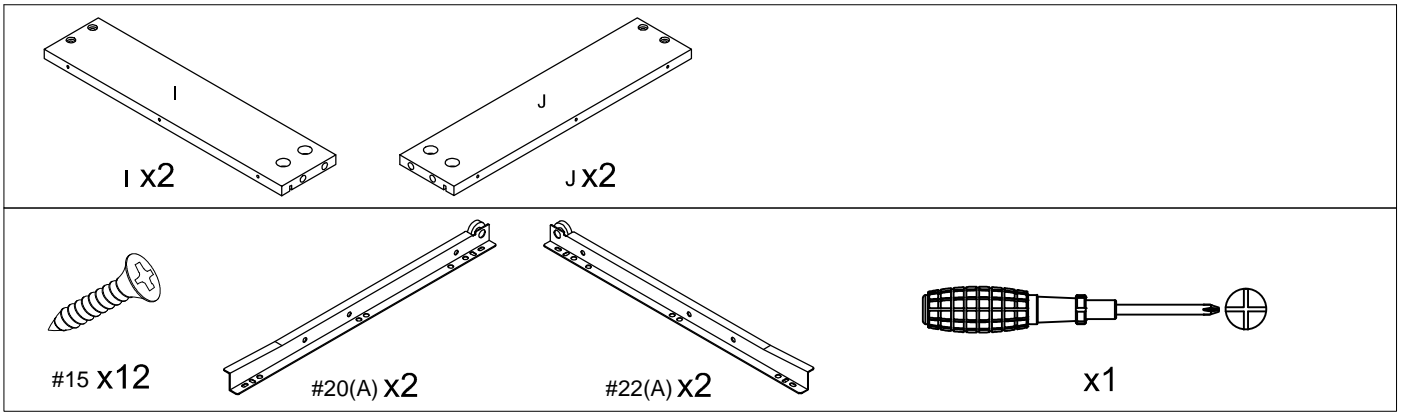
Align the arrow on the Cam-lock to the Cam-bolt head and insert the Cam-lock. Ensure Cam-lock is fully inserted.

TIGHTENING CAM-LOCK

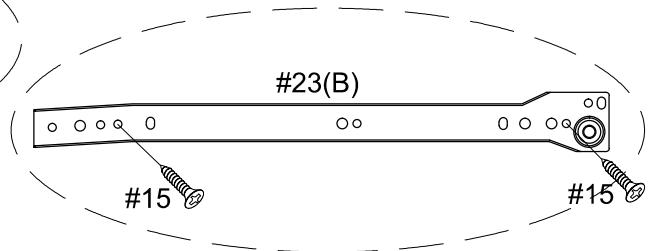
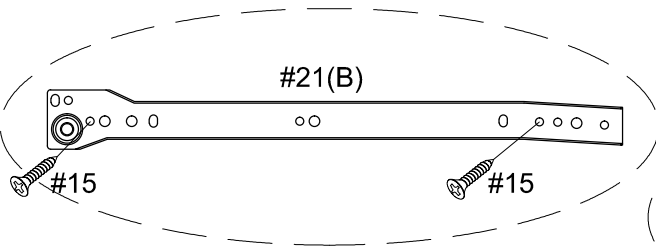
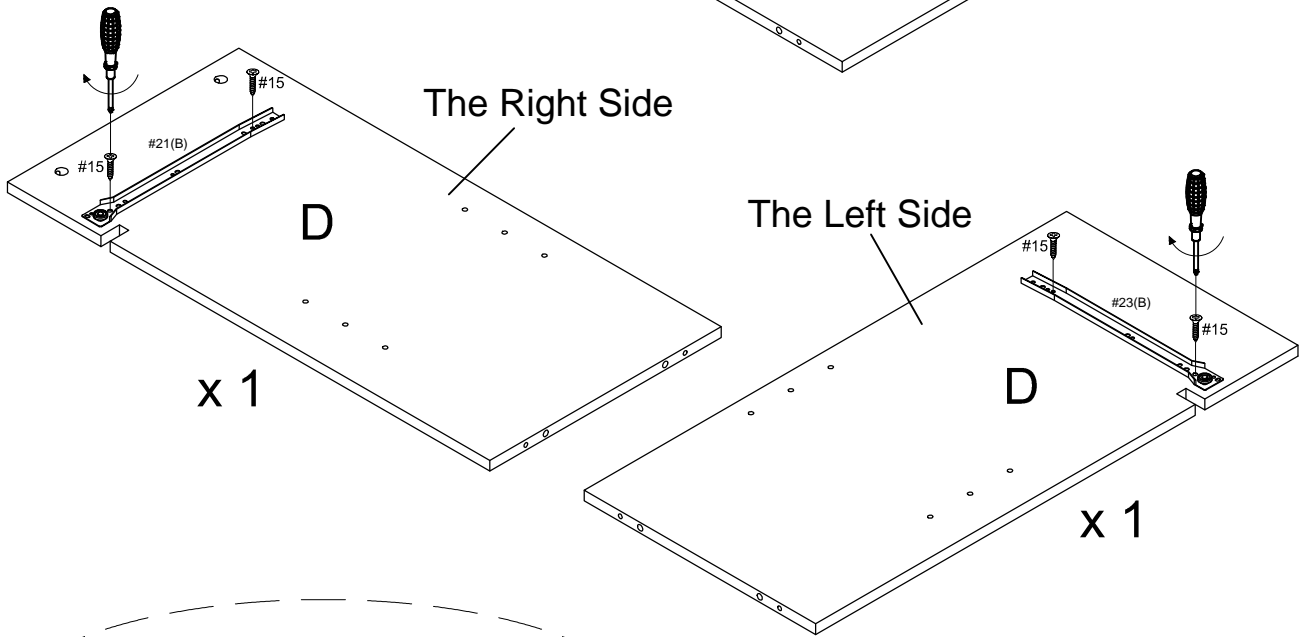
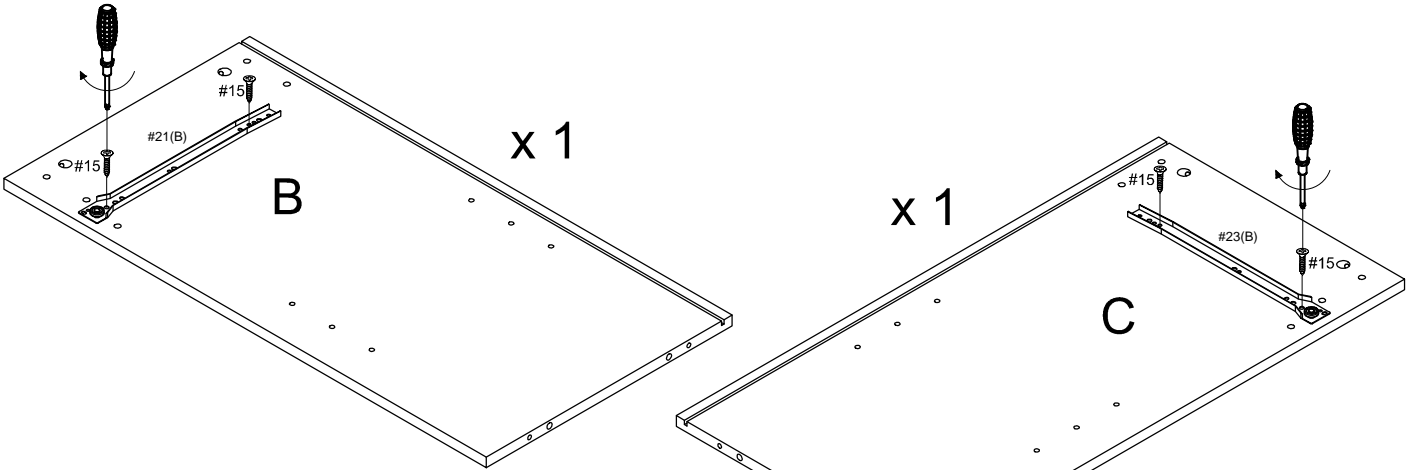
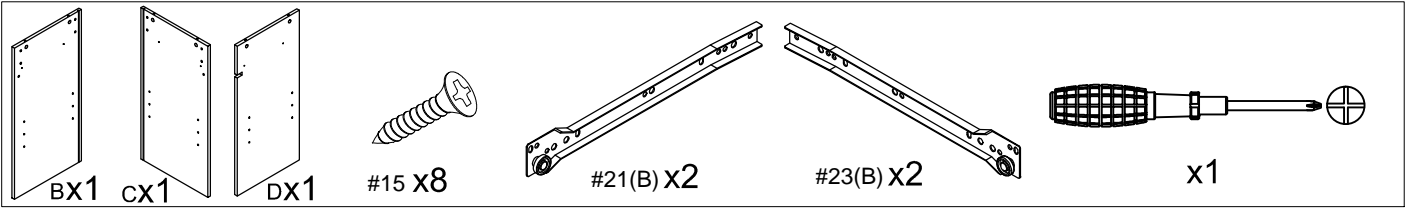


Use a Flat-head Screwdriver to turn Camlock clockwise so it locks onto the head of the Cam-bolt. Turn until it is snug (about 3/4ths of a turn) -- over-tightening could damage Cam-lock or/and Cam-bolt.

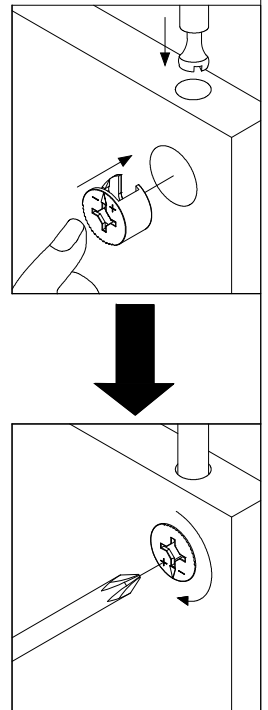
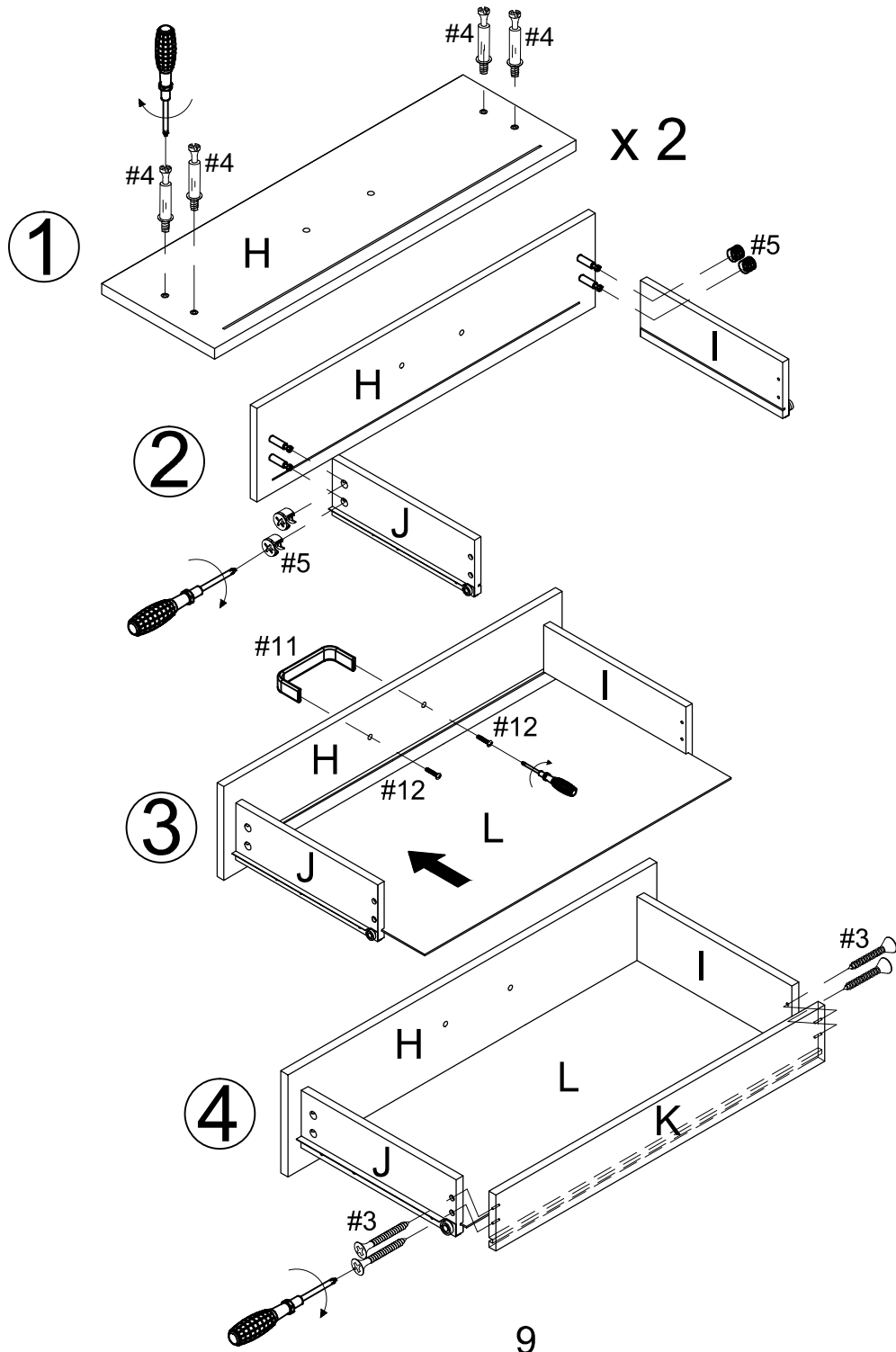
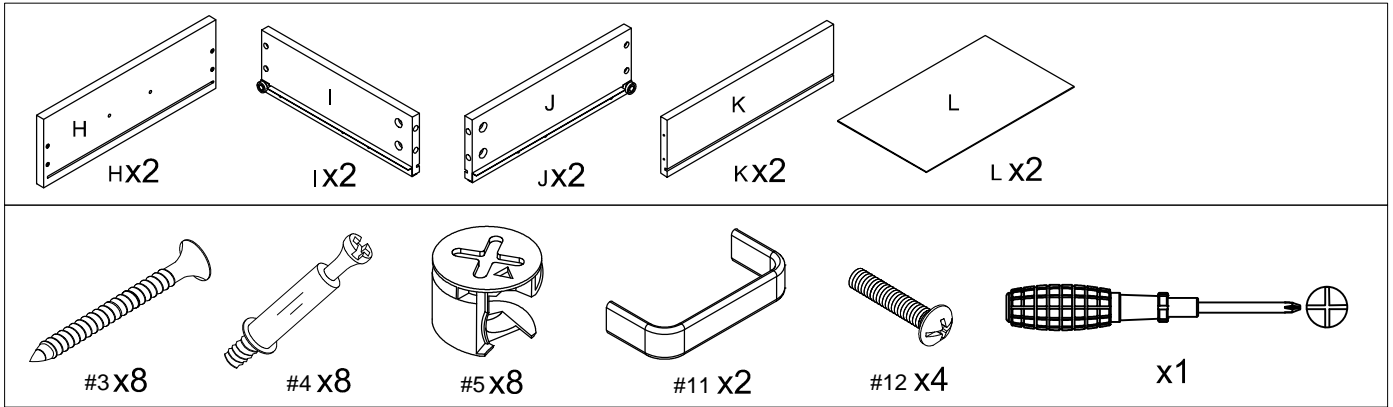
Step 1.



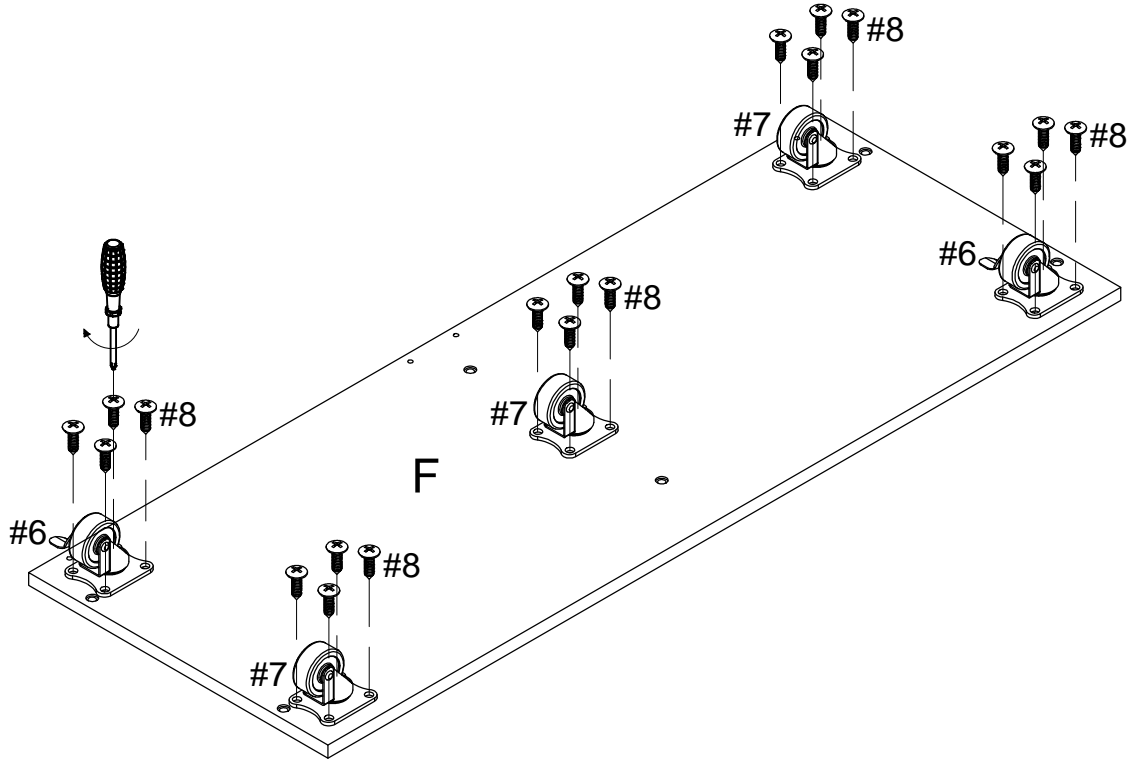
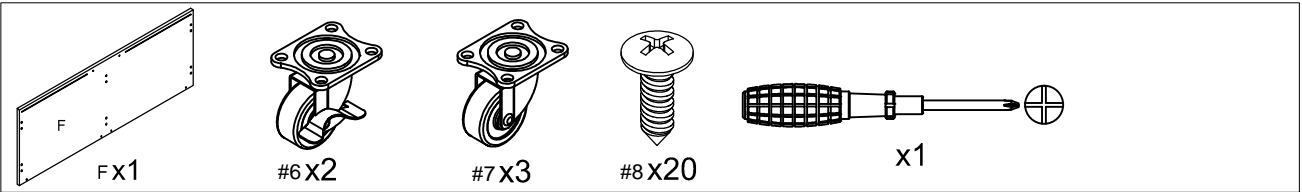
Step 2.



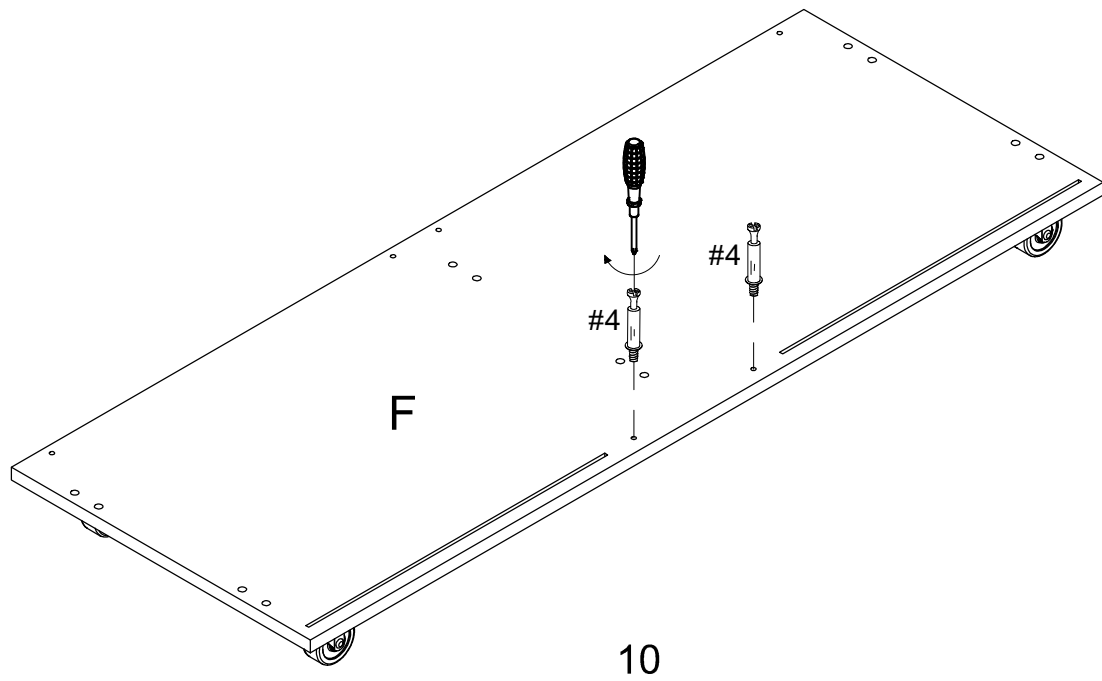
Step 3.



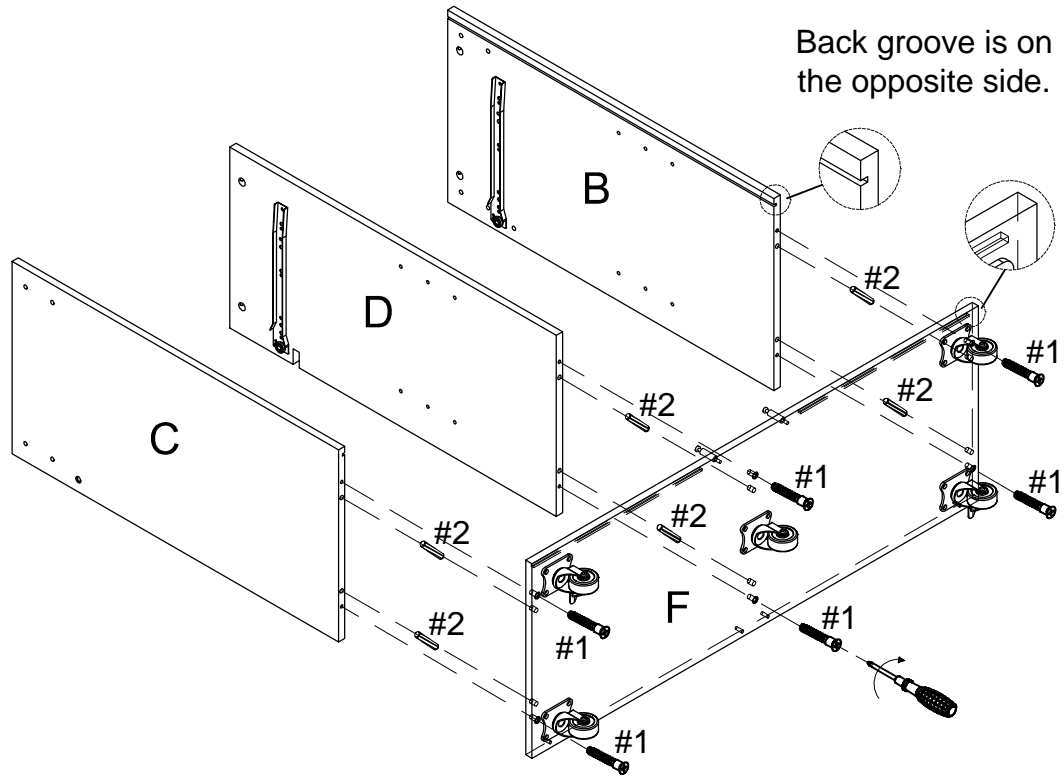
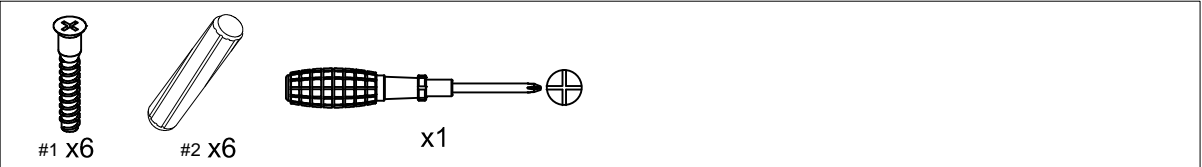
Step 4.



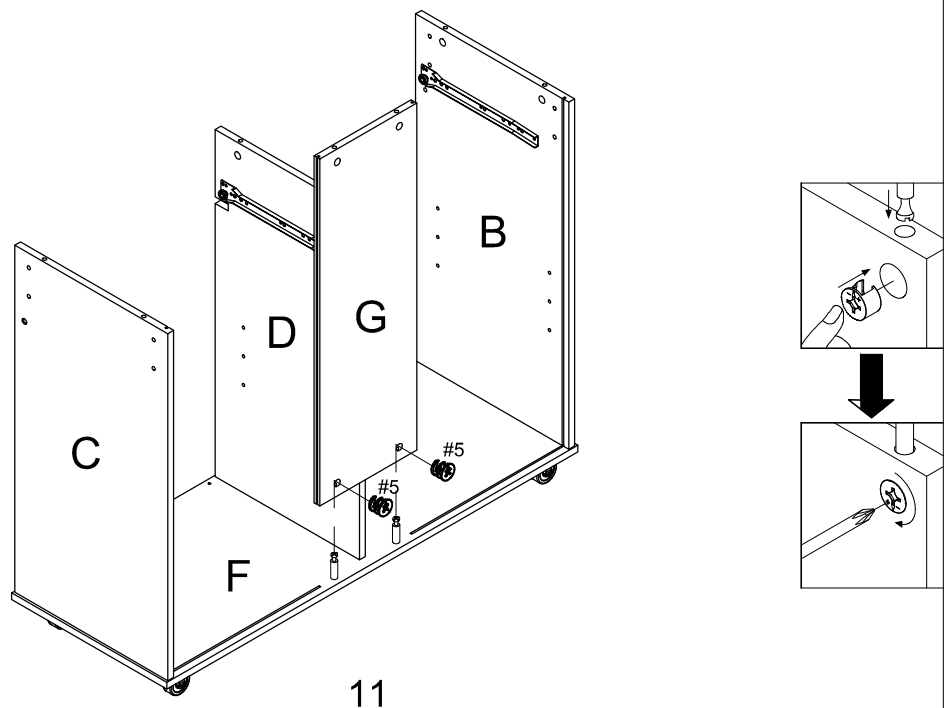
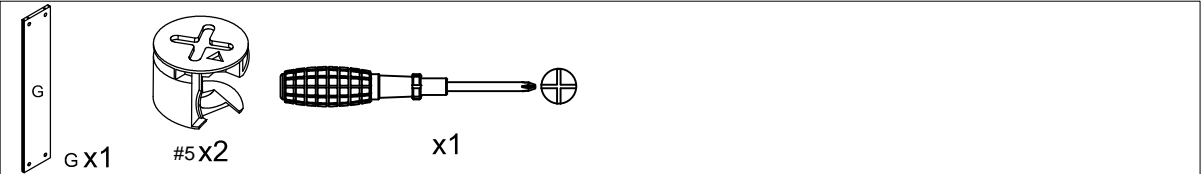
Step 5.



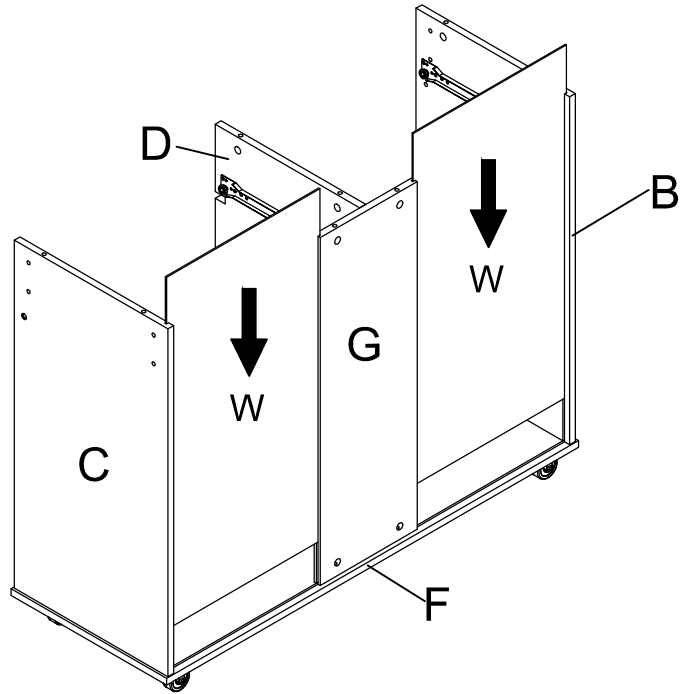
Step 6.



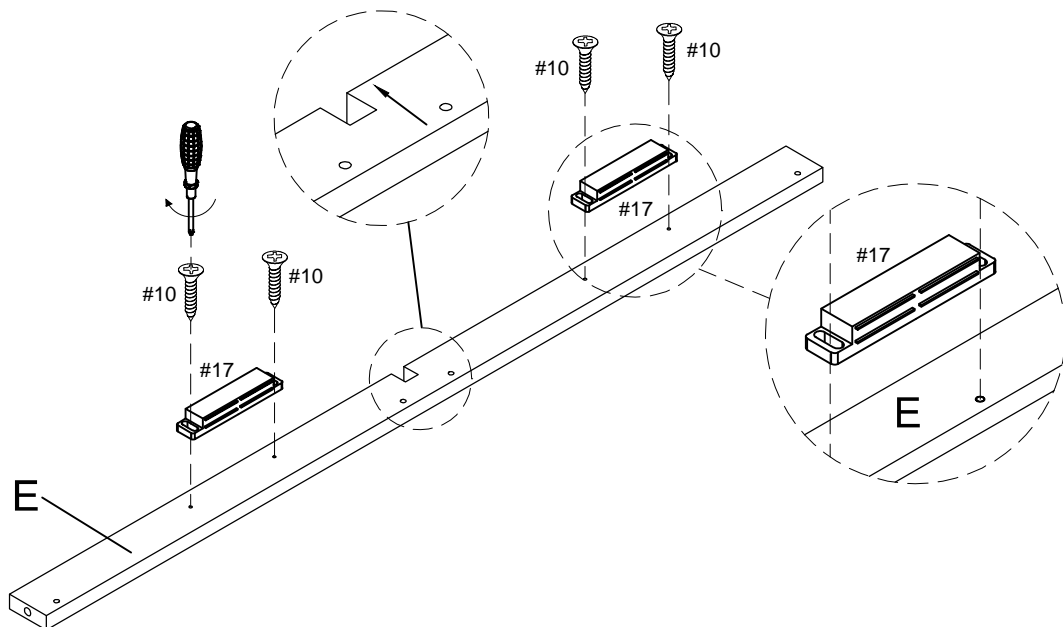
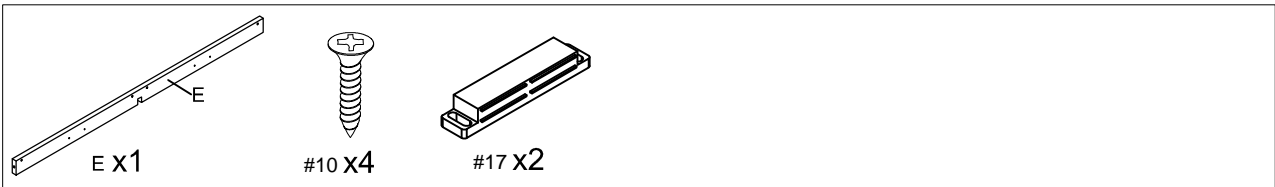
Step 7.



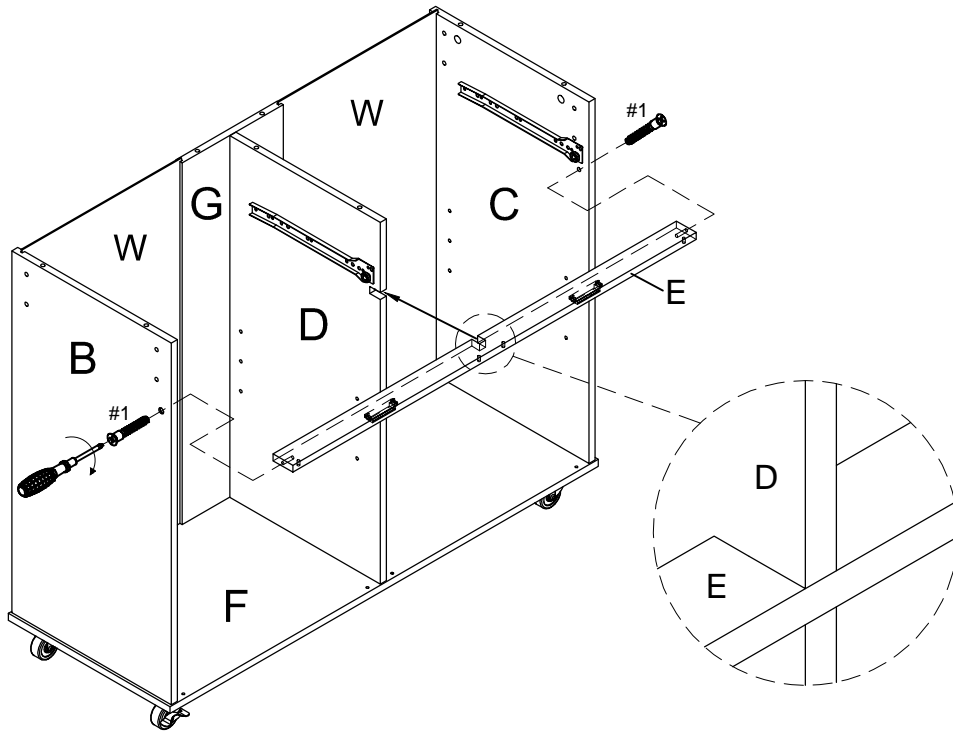
Step 8.



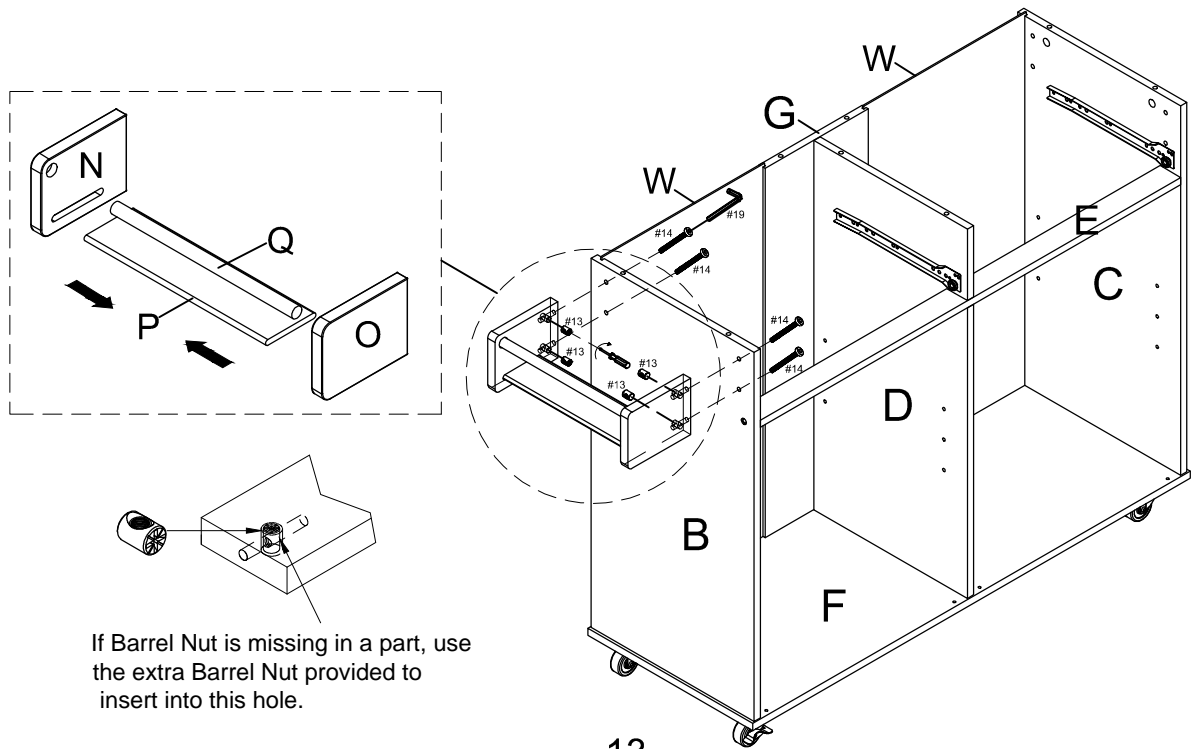
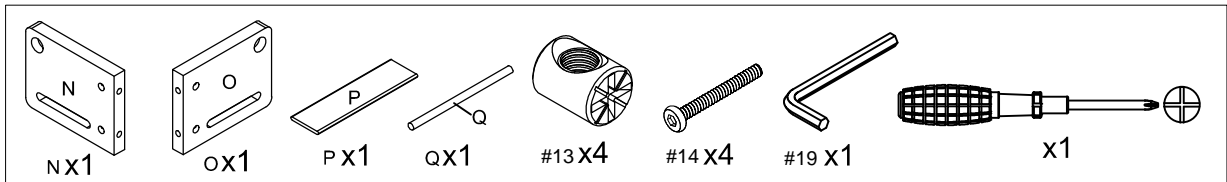
Step 9.



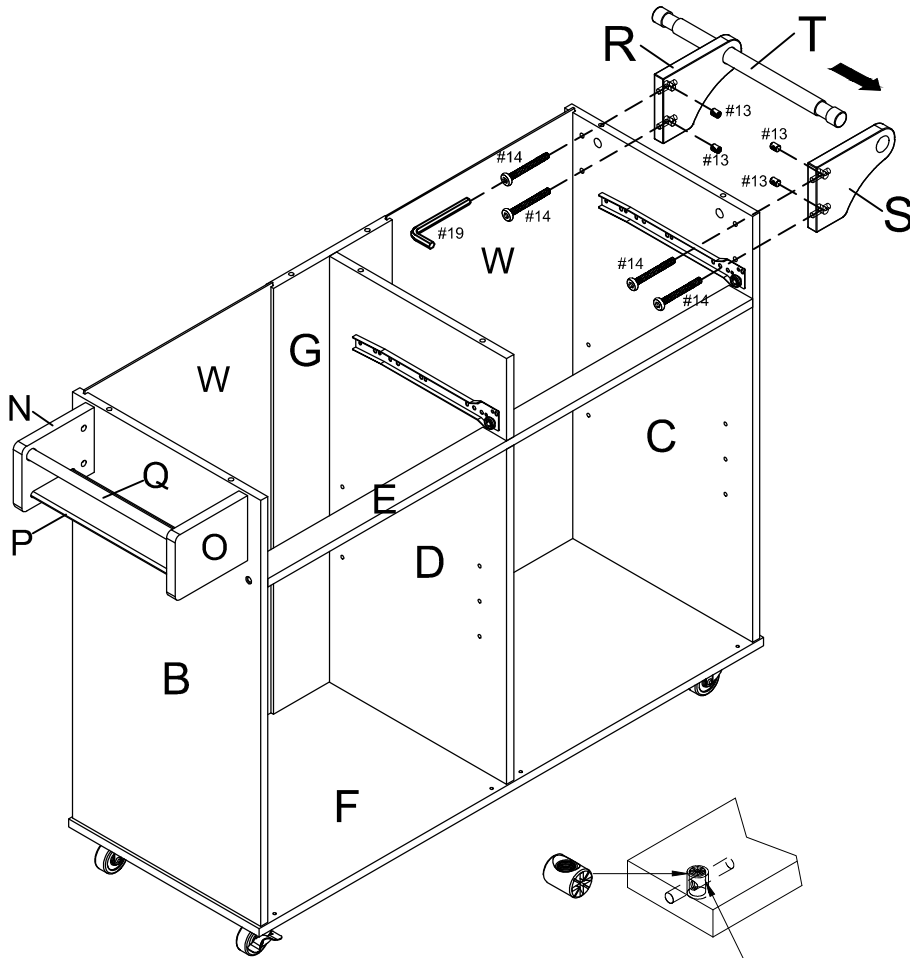
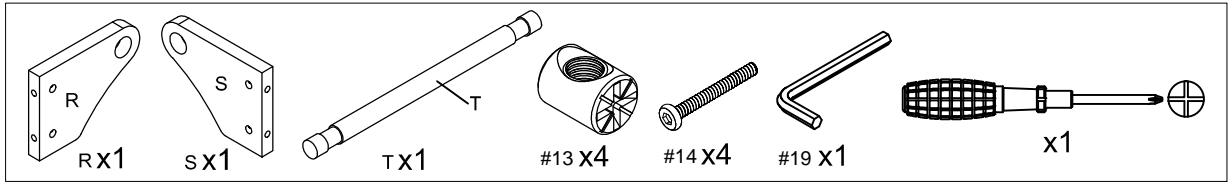
Step 10.



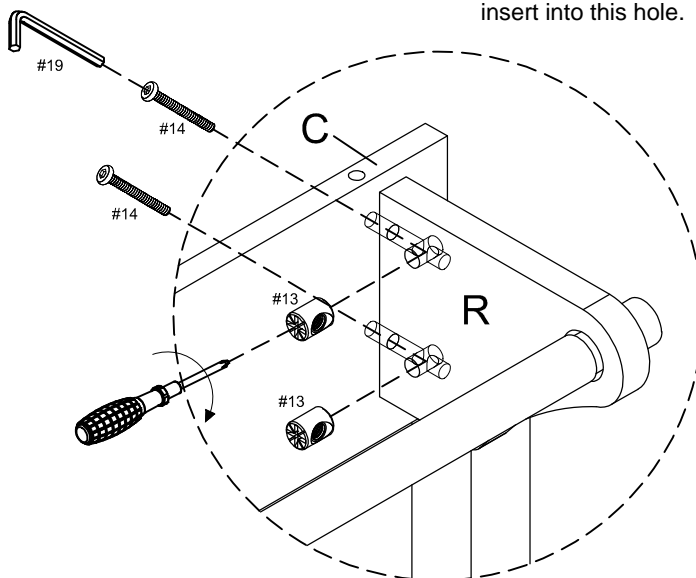
Step 11.



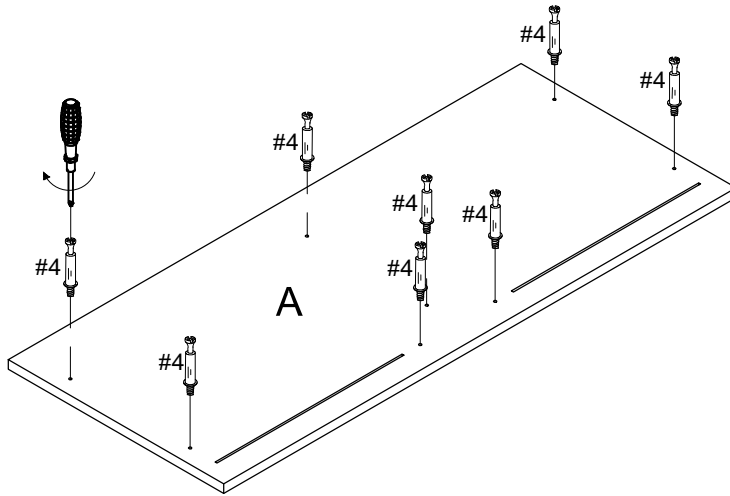
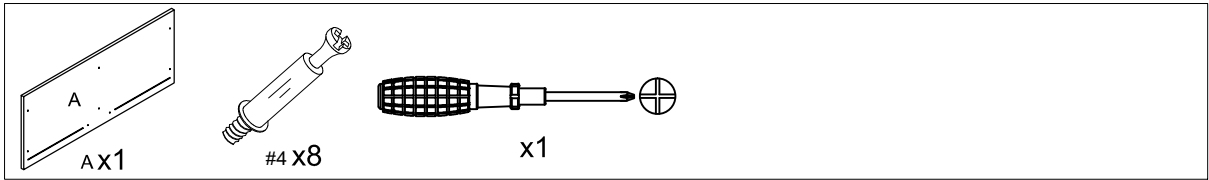
Step 12.



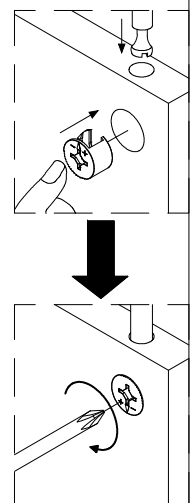
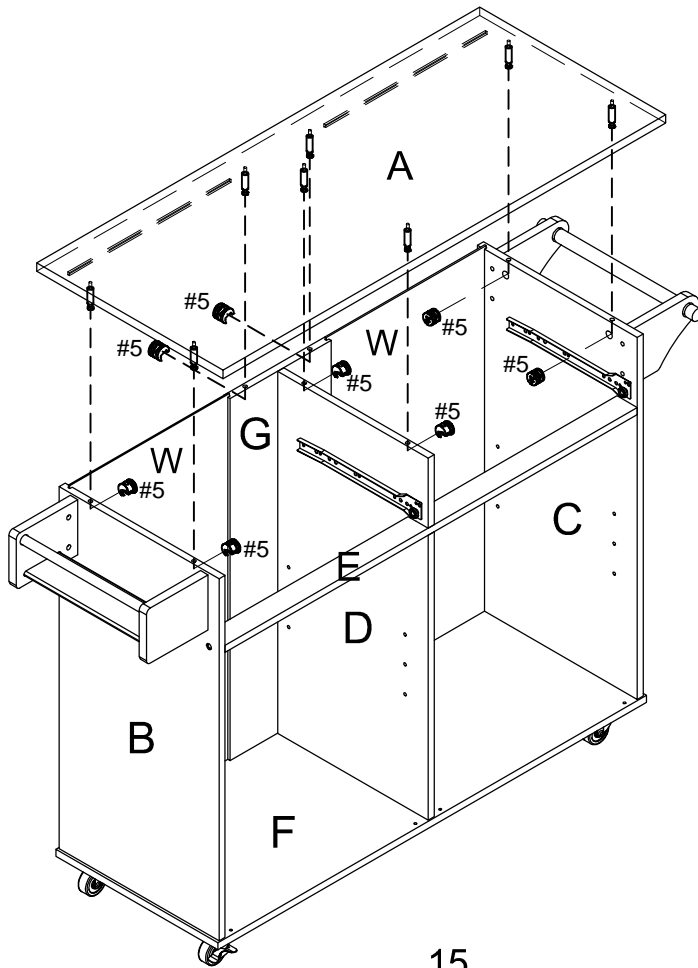
If Barrel Nut is missing in a part, use the extra Barrel Nut provided to insert into this hole.



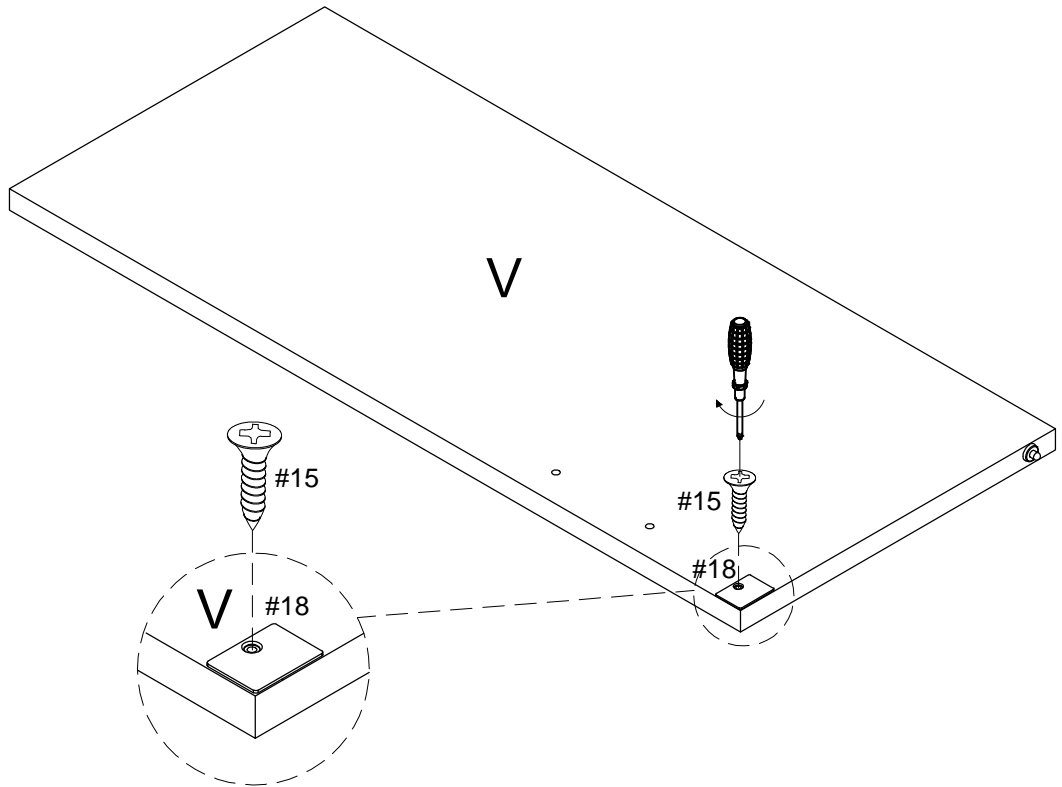
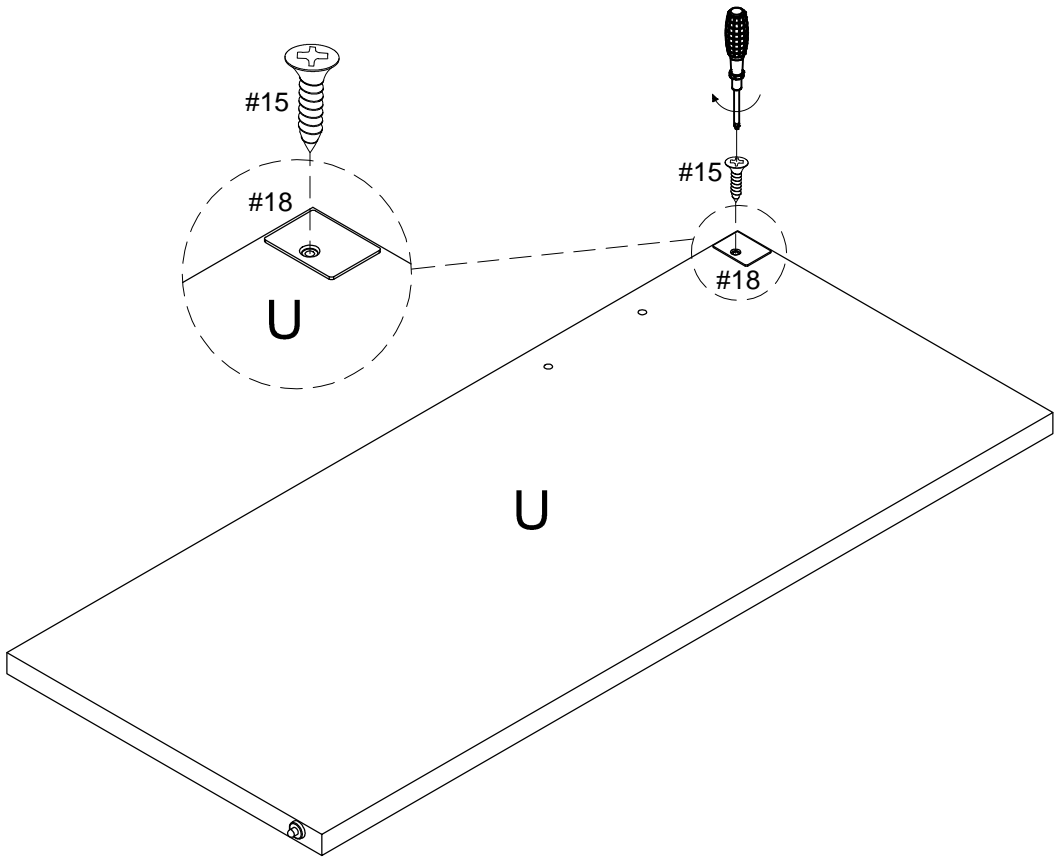
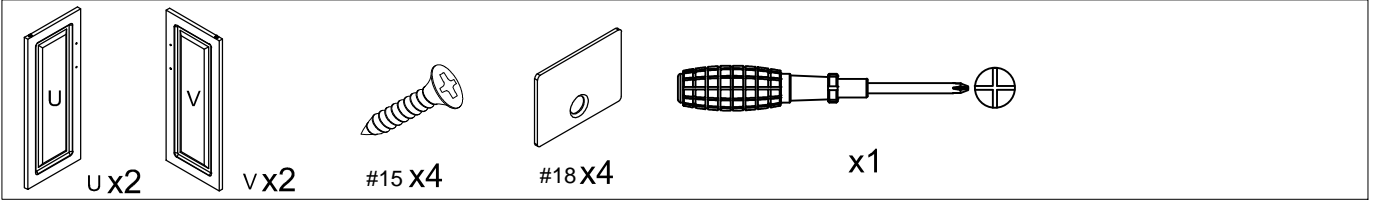
Step 13.



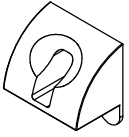
Step 14.



Step 17.



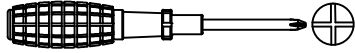
Step 19.



#9 X12



#10 X12



x1

