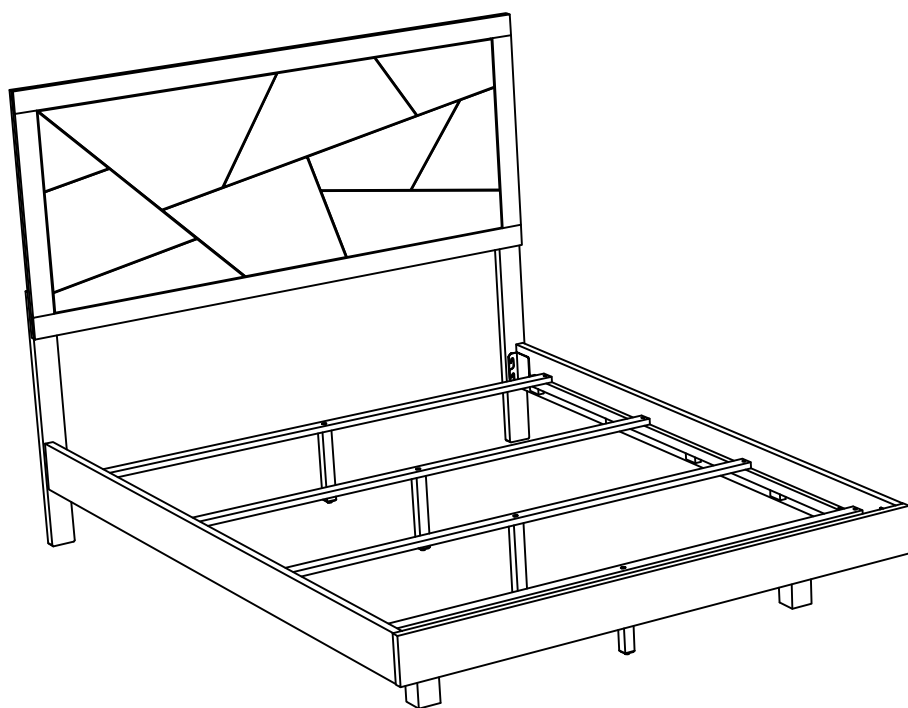


ASSEMBLY INSTRUCTIONS



TOOLS REQUIRED



Allen Wrench

(Included)



Phillips
Screwdriver

(Not Included)



2 - Persons
Recommended

ASSEMBLY RATING



EASY ————— DIFFICULT

The Assembly Rating is a 5-point system showing the level of effort needed to assemble a specific product.



CHECK BEFORE STARTING

Are you missing anything?

Double-check all parts, hardware and accessories listed on Page 6 are accounted for.

Check out our Quick Tips!

We recommend reviewing the pre-assembly handouts. Even experts need a refresher now and then!

Should we send any replacements?

Are there any irregularities or flaws in the parts? We can send replacements!

Prep Time!

Please review the assembly instructions and all diagrams prior to assembling. Set up your workspace by laying the parts and hardware out separately, then begin!

PRE ASSEMBLY INTRODUCTION

We understand building ready-to-assemble furniture can be a challenging experience for some. To help avoid confusion, we have provided some helpful tips that may speed up the process.



Teamwork

ALWAYS have at least two people to help with transporting and assembling the product to avoid potential injury and/or damage.



Suitable Location

Assembling near the area of the intended location is highly recommended.



Sufficient Space

Make sure you have enough space to move around during the assembly.



Avoid Scratches

Use cardboard, blankets or a carpeted area while assembling furniture to prevent scratches.



Flat Surface

Make sure the furniture rests on a flat and level surface with each leg evenly touching the floor.

ASSEMBLY AND CARE ADVICE



FAILURE TO FOLLOW THE GUIDELINES BELOW MAY RESULT IN INJURY AND/OR PROPERTY DAMAGE.



Position each part correctly and insert screws or bolts into their respective holes.



Turn clockwise to tighten and only tighten when step is completed or when instructed to do so.



Use the appropriate hand tools or power tools for assembly. Select steps, such as tightening screws and/or bolts, may require hand tools to avoid causing damage during assembly.



Save the instructions and store any supplied tools for later maintenance.



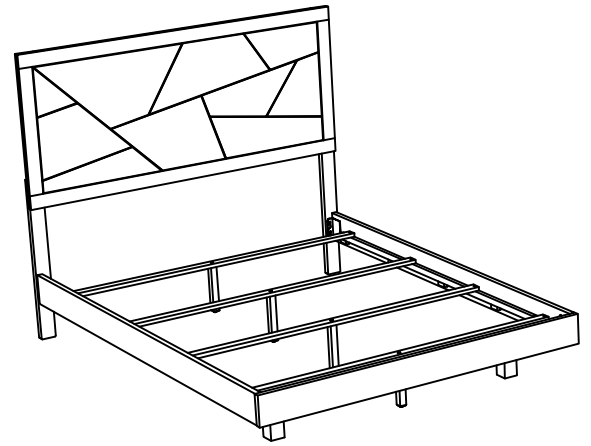
After two weeks, check and tighten any loose hardware and repeat again every six months thereafter.

IT IS THE USER'S RESPONSIBILITY TO MAINTAIN THE FURNITURE. THE HARDWARE MAY LOOSEN OVER TIME AND MAY CAUSE THE FURNITURE TO BE WOBBLY AND UNABLE TO SUPPORT ITS INTENDED WEIGHT CAPACITY. THIS MAY LEAD TO COLLAPSE AND MAY CAUSE SERIOUS INJURY.

QUEEN SIZE BED

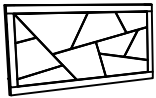


- Please keep instructions for future reference.
- Check the quantity and irregularity of parts and hardware before you start.



PARTS

① 1pc



Headboard

② 1pc



Footboard

③ 1pc



Headboard Leg (L)

④ 1pc



Headboard Leg (R)

⑤ 1pc



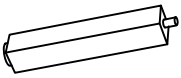
Side Rails Leg Support

⑥ 4pcs



Bed Slat
-1545 x 45 x 18mm

⑦ 4pcs



Bed Slat Support
-225 x 30 x 30mm

⑧ 1pc



Side Rail (L)

⑨ 1pc



Side Rail (R)

⑩ 2pcs



Side Rails Leg

HARDWARE

HARDWARE INSIDE HEADBOARD

Ⓐ 1pc



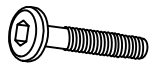
Allen Key M4

Ⓑ 1pc



Allen Key M5

Ⓒ 6pcs



Bolt 1/4" x 1 6/16"

Ⓓ 6pcs



Lock washer

Ⓔ 6pcs



Flat washer

HARDWARE INSIDE SIDE RAILS

Ⓕ 1pc



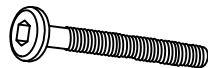
Allen Key M4

Ⓖ 1pc



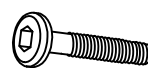
Allen Key M5

Ⓗ 2pcs



Bolt 1/4" x 2 9/8"

Ⓘ 4pcs



Bolt 1/4" x 2"

Ⓙ 6pcs



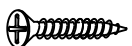
Lock washer

Ⓚ 6pcs



Flat washer

Ⓛ 8pcs



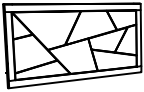
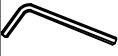
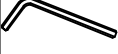
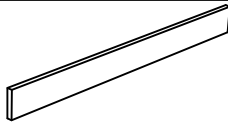
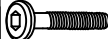







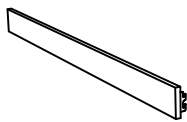
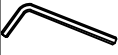
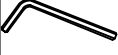








CSK m4 x 32mm

Ⓜ 4pcs



CSK m4 x 50mm

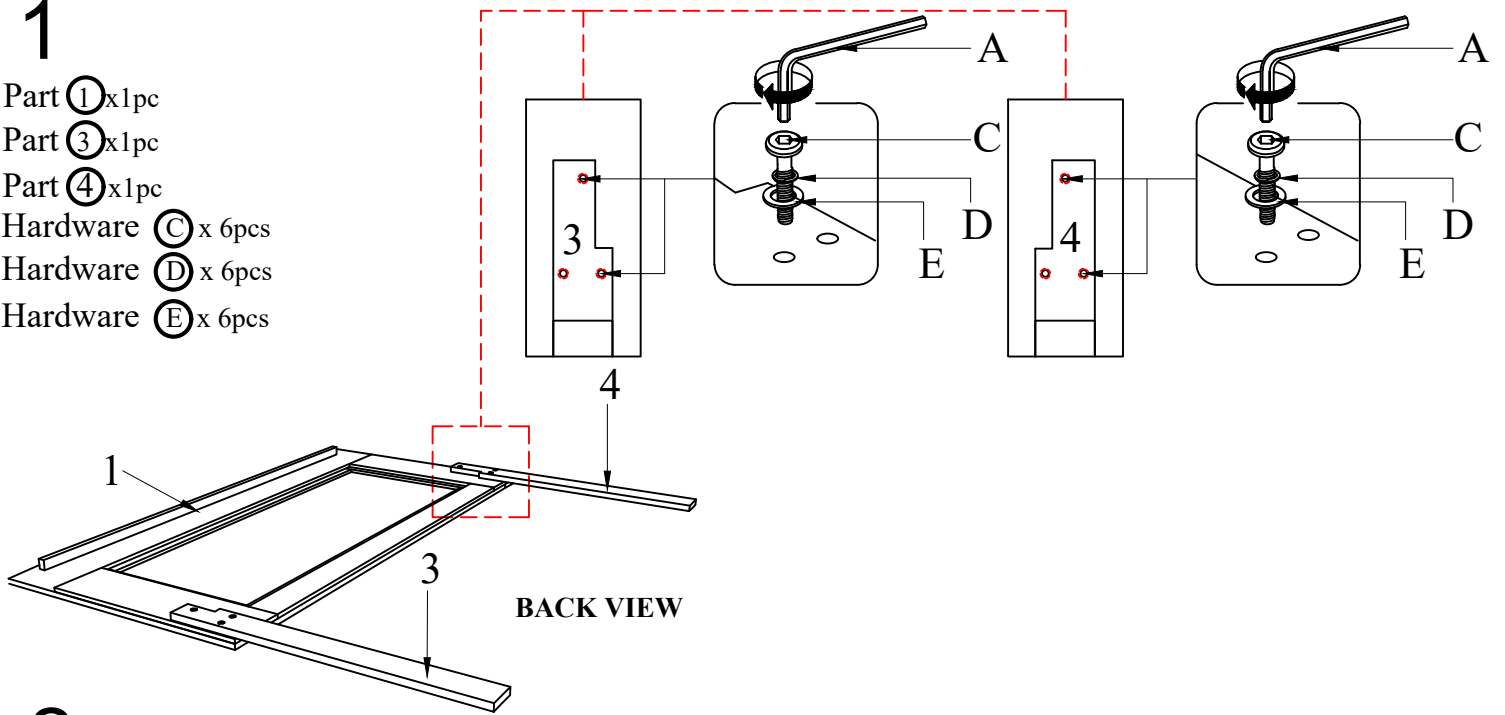
packed in 2 cartons

Carton	Designation			Hardware
	Queen Size Bed HB, FB, HB Legs, Side Rails LegSupport, Slat, Bed Slat Support	1	 X 1	 A x 1pc  B x 1pc
2		 X 1	 C x 6pcs  D x 6pcs  E x 6pcs	
3		 X 1		
4		 X 1		
5		 X 1		
6		 X 4		
7		 X 4		
	Queen Size Bed Rails, Side Rail Leg.	8	 X 1	 F x 1pc  G x 1pc
9		 X 1	 H x 2pcs  I x 4pcs  J x 6pcs	
10		 X 2	 K x 6pcs  L x 8pcs  M x 4pcs	

ASSEMBLY INSTRUCTIONS

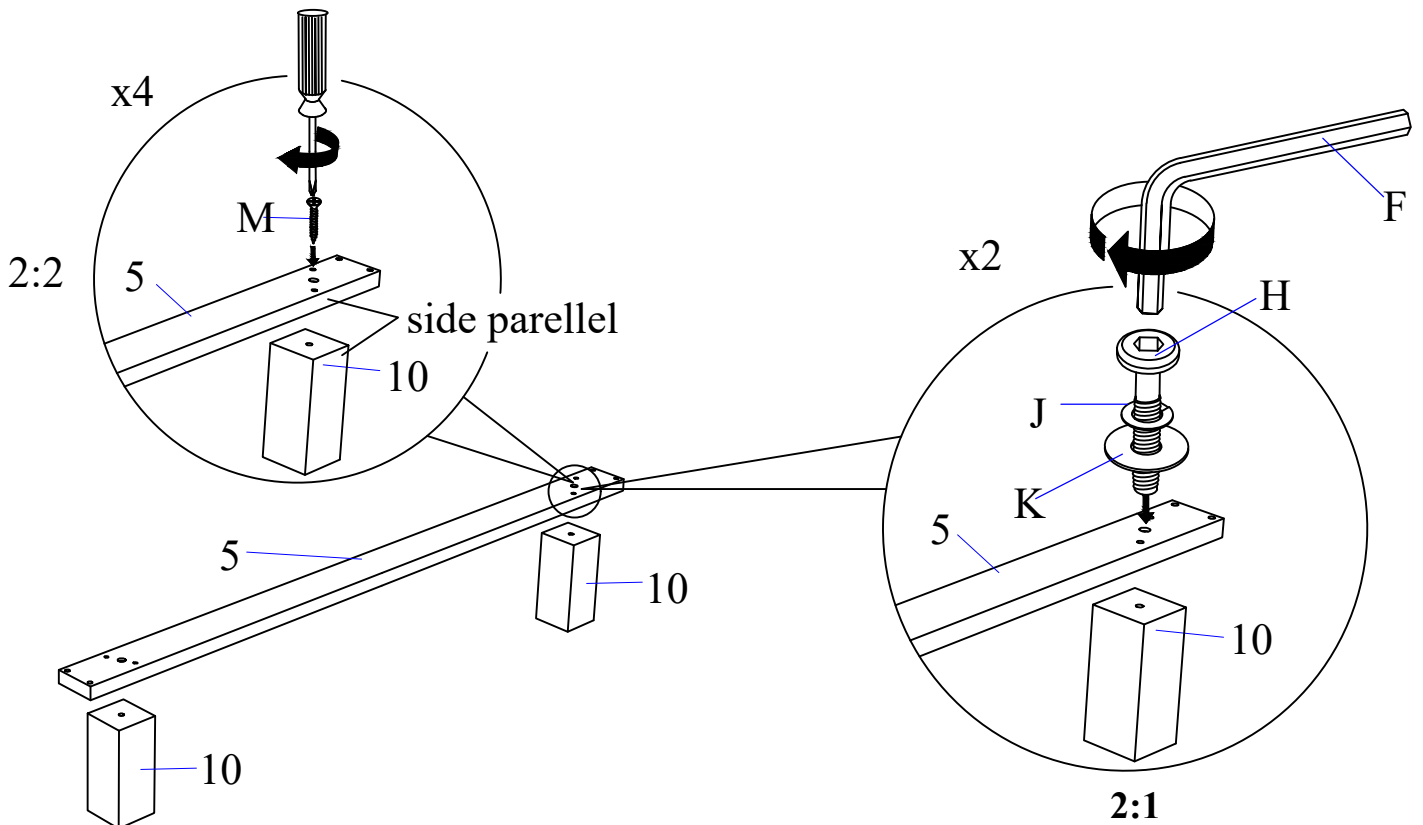
1

- Part ① x1pc
- Part ③ x1pc
- Part ④ x1pc
- Hardware ③ x 6pcs
- Hardware ④ x 6pcs
- Hardware ⑤ x 6pcs



2

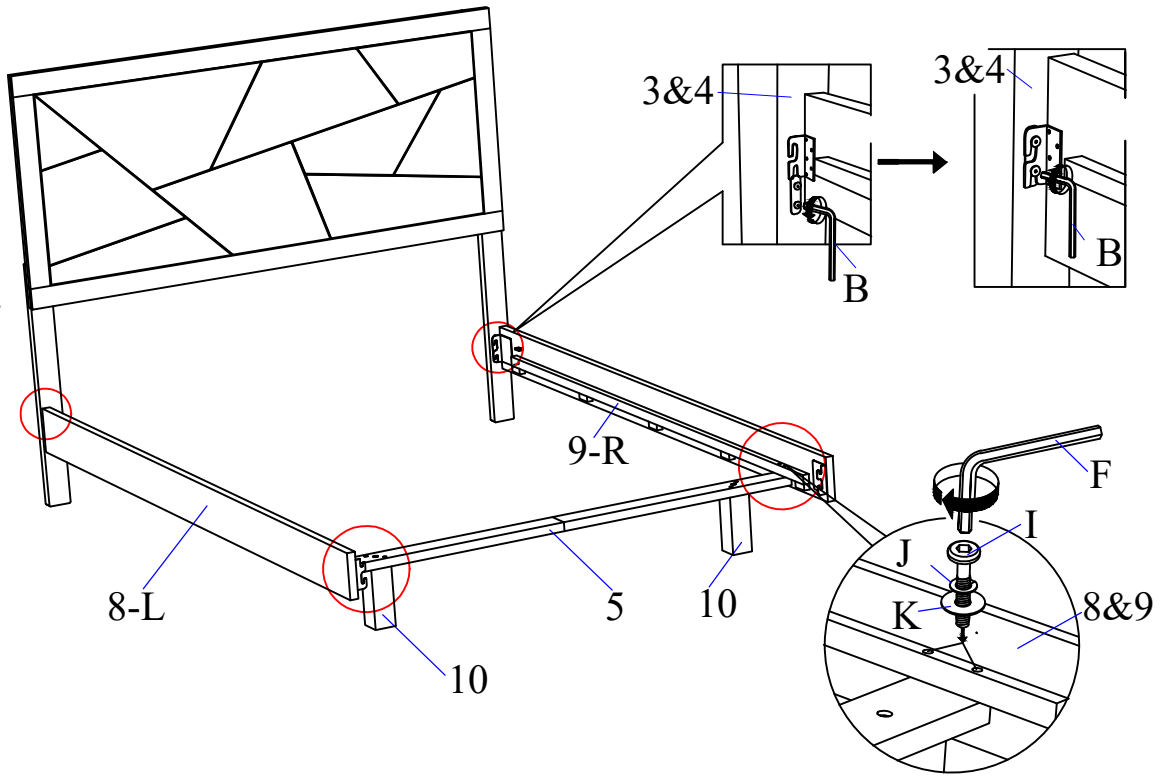
- Part ⑤ x1pc
- Part ⑩ x2pcs
- Hardware ⑧ x 2pcs
- Hardware ⑨ x 2pcs
- Hardware ⑪ x 2pcs
- Hardware ⑫ x 4pcs



ASSEMBLY INSTRUCTIONS

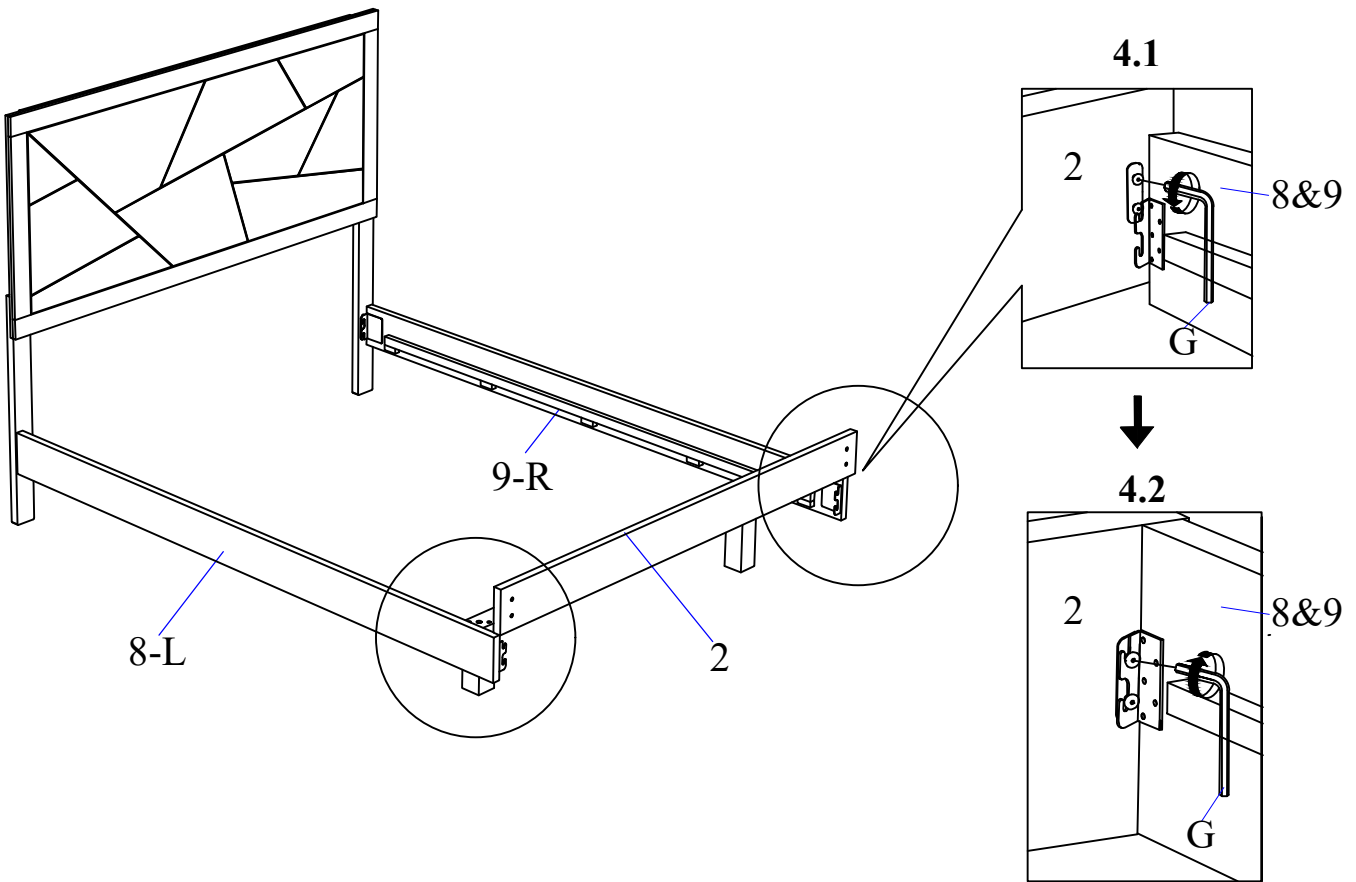
3

- Part ⑤ x 1pc
- Part ⑧ x 1pc
- Part ⑨ x 1pc
- Part ⑩ x 2pcs
- Hardware ① x 4pcs
- Hardware ② x 4pcs
- Hardware ③ x 4pcs



4

- Part ② x 1pc



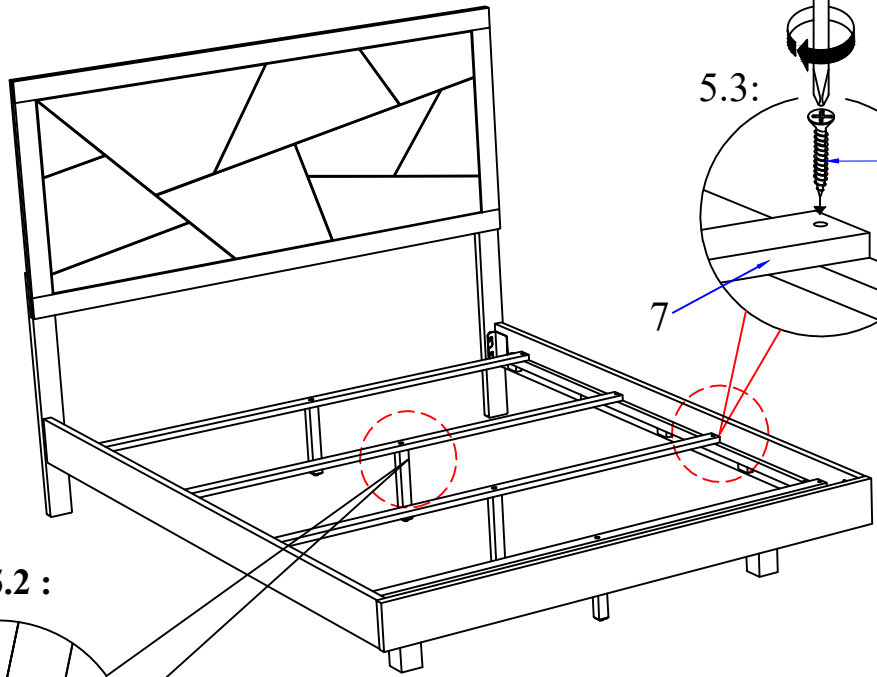
ASSEMBLY INSTRUCTIONS

5

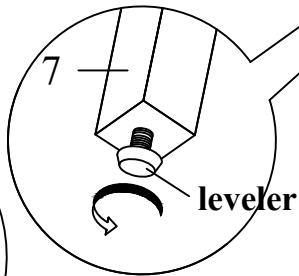
Part ⑥ x 4pcs

Part ⑦ x 4pcs

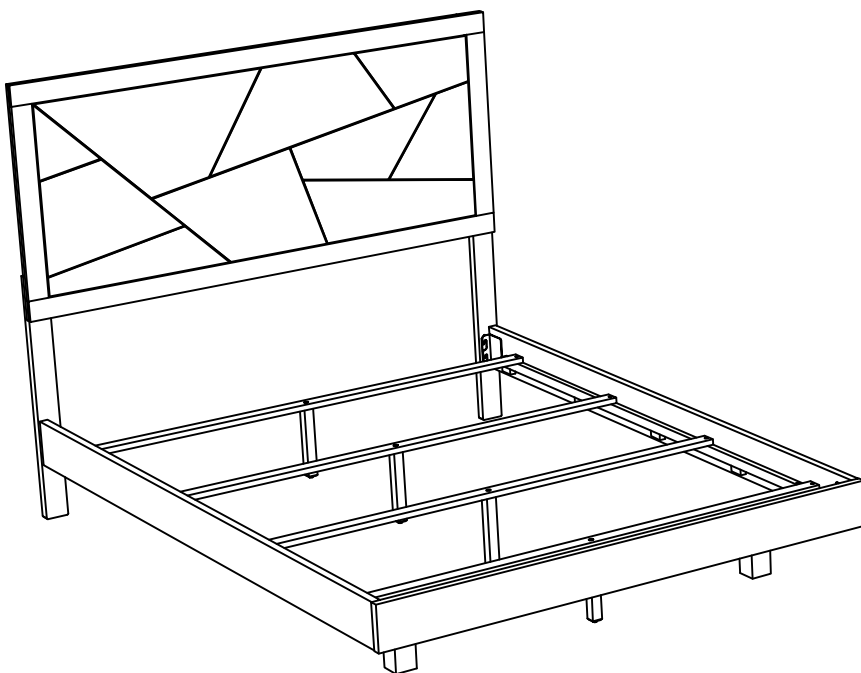
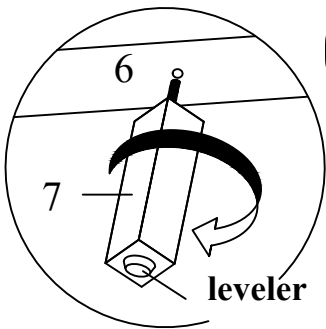
Hardware ① x 8pcs



5.2 :



5.1 :



ASSEMBLY COMPLETED



Please ensure the furniture rests on an even and flat surface. If the product wobbles or feels loose, double-check all bolts and/or screws are properly tightened and secured.



Keep this handy!

Please retain this instruction manual and any order-related information for future reference.



Lift, don't drag!

To avoid damage to product please always LIFT the product when transporting or adjusting the placement.

The product is intended for RESIDENTIAL USE ONLY and not for commercial use.