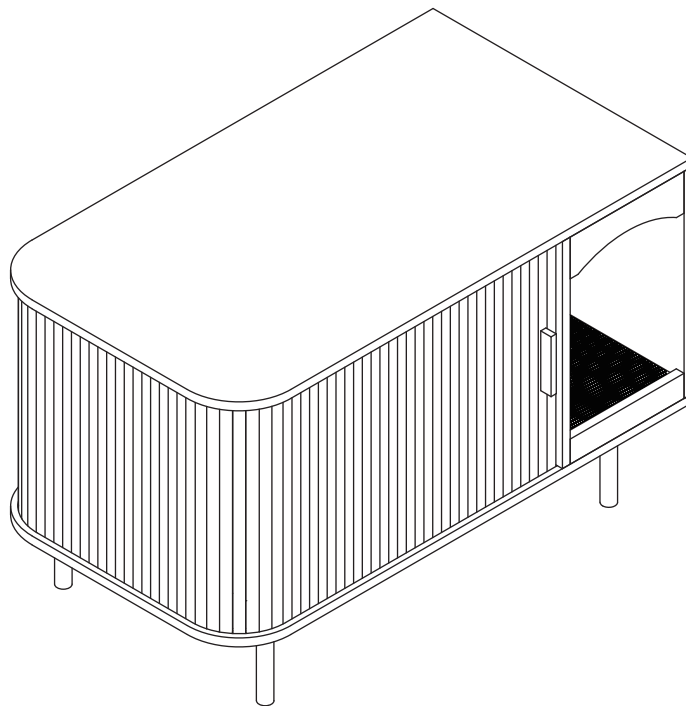


Assembling Instruction

Generating Drawings



ATTENTION

If there is any missing, please kindly send us messages to let us know the name of missing part regarding to the first page of instructions.

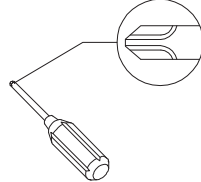
We will send replacement to you asap. We are concerned about each customer's experience, if there is any loss or damage, please contact us at any time, we will provide effective solutions.

Please attach your Oder ID so that we can assist you better.

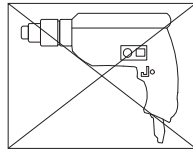


General Assembly Guidelines

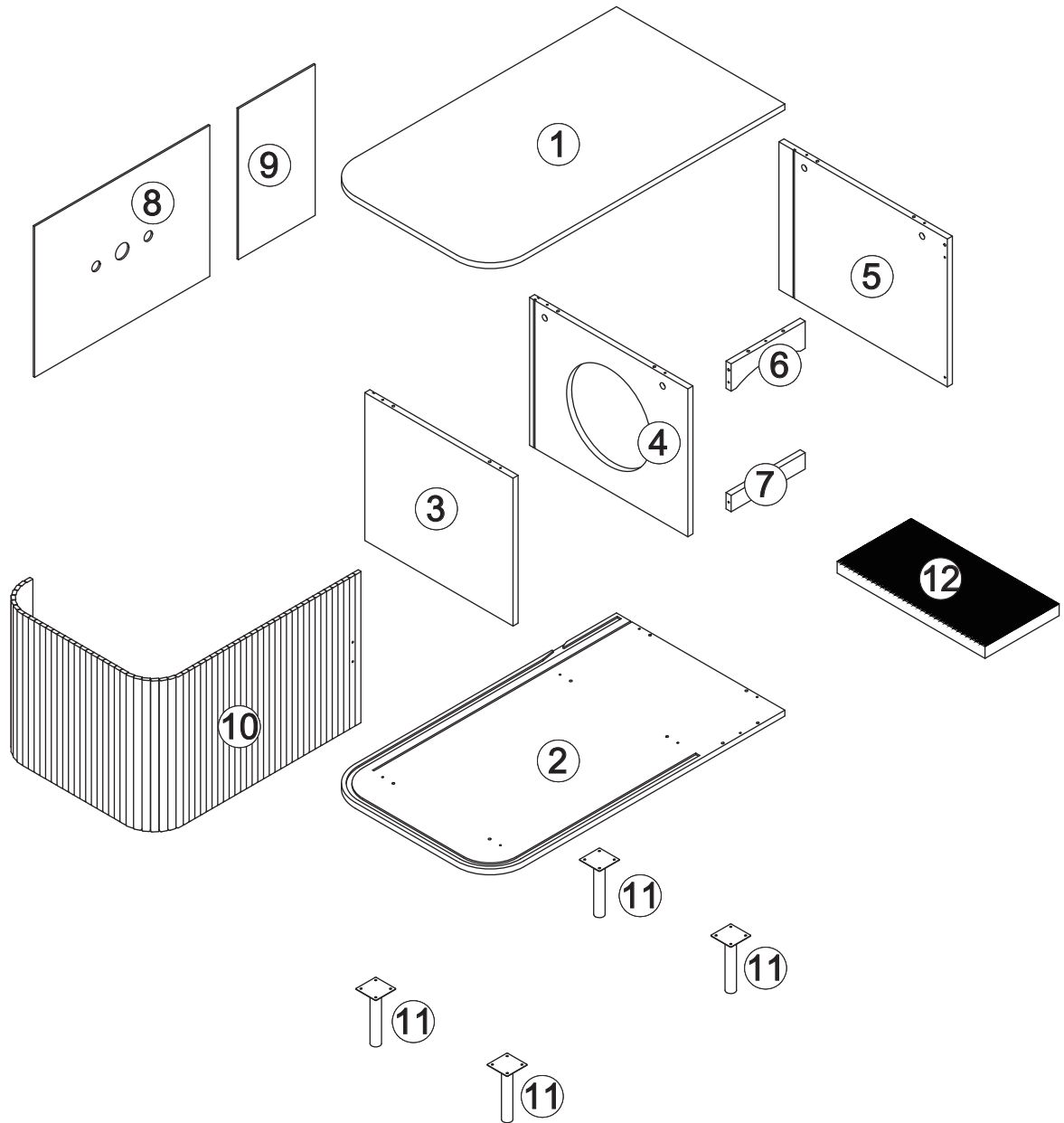
- I. Ensure that all parts and hardware are available before beginning assembly.
- II. Follow each step carefully to ensure the proper assembly of this product.
- III. Two people are recommended for ease in the assembly of this product.
- IV. The three main types of hardware used to assemble this product are : wood dowels , screws and bolts.
- VI . A Phillips head screwdriver is required for the assembly of this product .



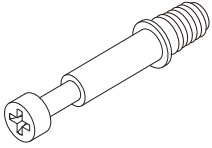
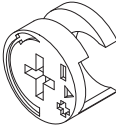
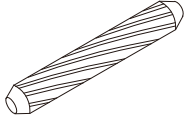
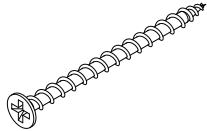
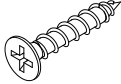
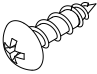
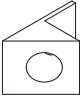
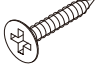

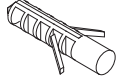

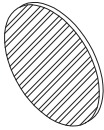
- VII . Power tools should not be used to assemble this product .

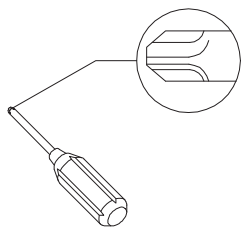


Parts List



HARDWARE PACK CONTENT

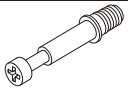
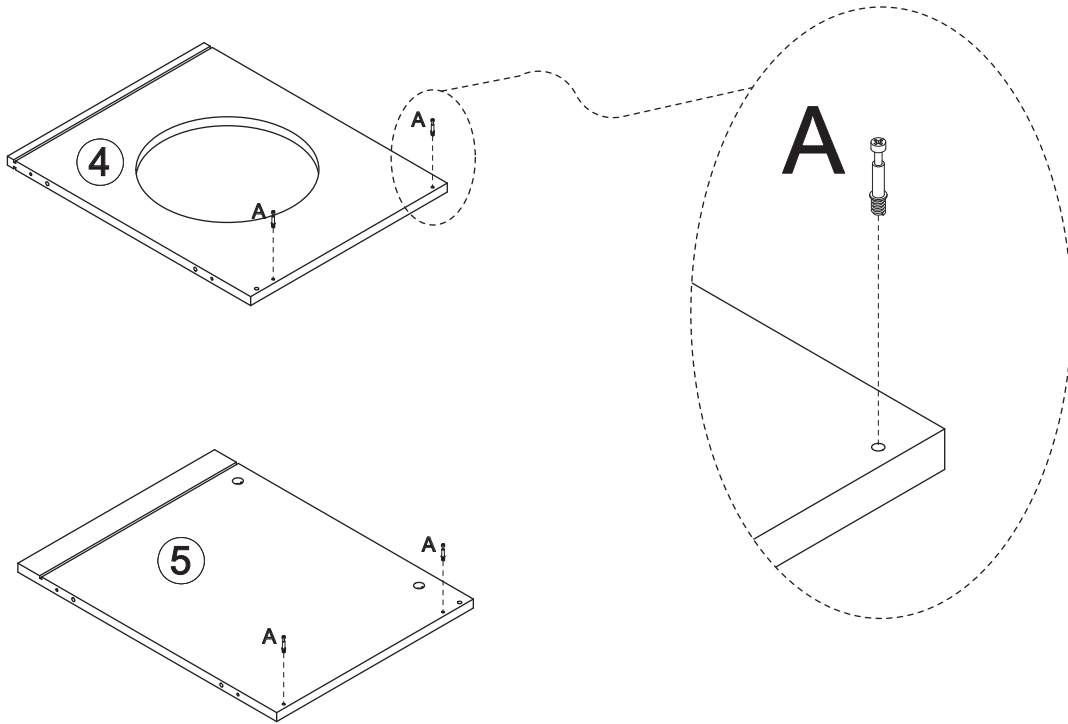
A  M6x35mm 11+2PCS	B  Ø15x9mm 11+2PCS	C  Ø6x30mm 18+2PCS	D  M4x40mm 9+1PCS	E  M4x25mm 2+1PCS
F  M4x14mm 18+2PCS	G  10+1PCS	H  M3x14mm 10+1PCS	I  1PC	J  Ø6x30mm 2PCS
K  2PCS	L  Ø20mm 11+2PCS			



Philips head screwdriver required for assembly
(not included)

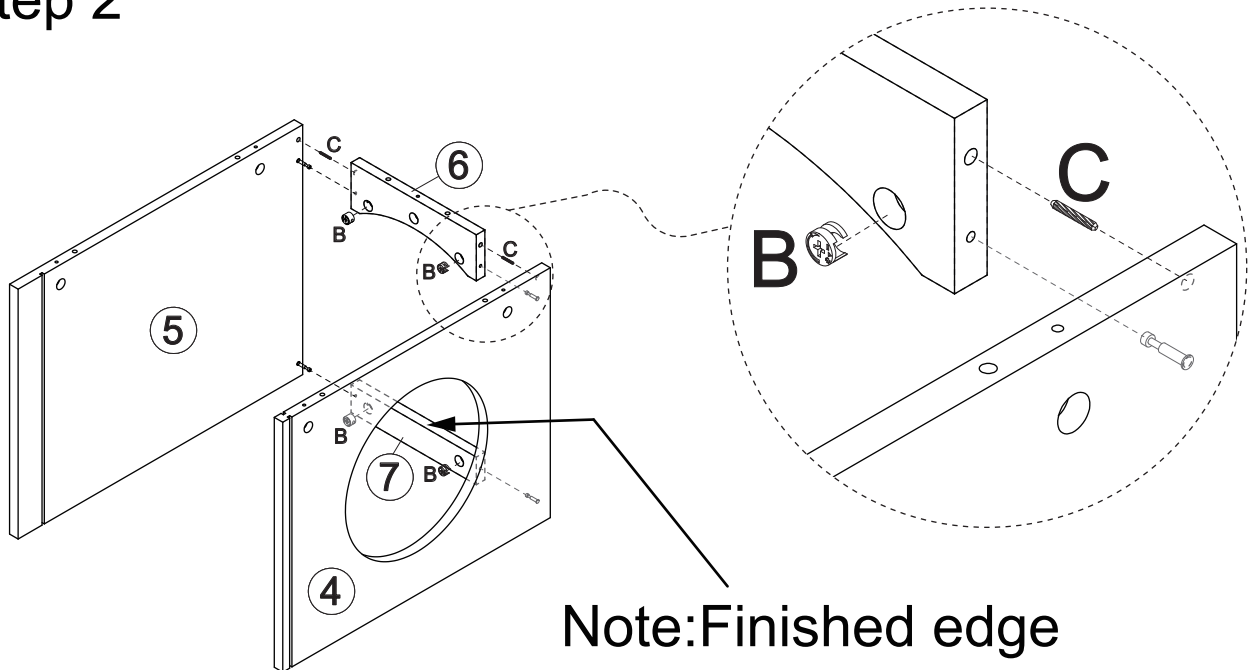
*The hardware quantities listed above are required for proper assembly.
Some extra hardware may also have been included.*

Step 1

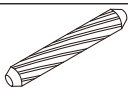


A x 4PCS

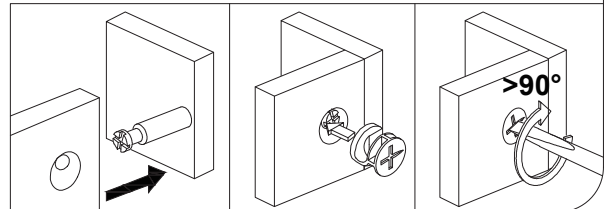
Step 2



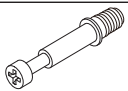
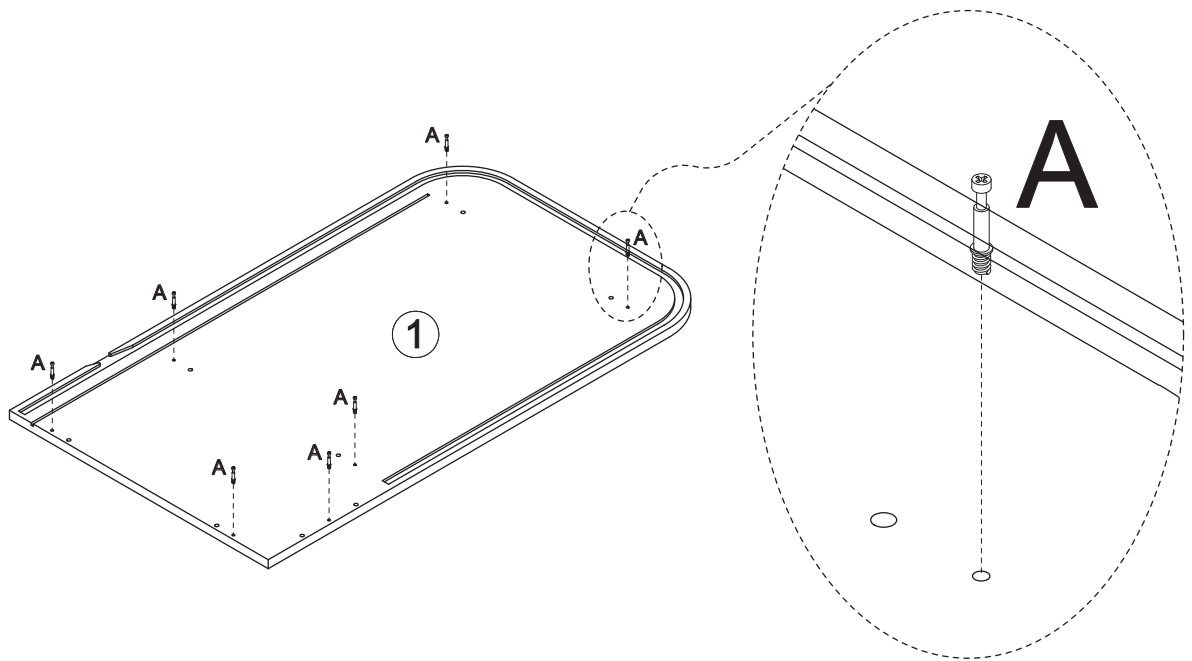
B x 4PCS



C x 2PCS

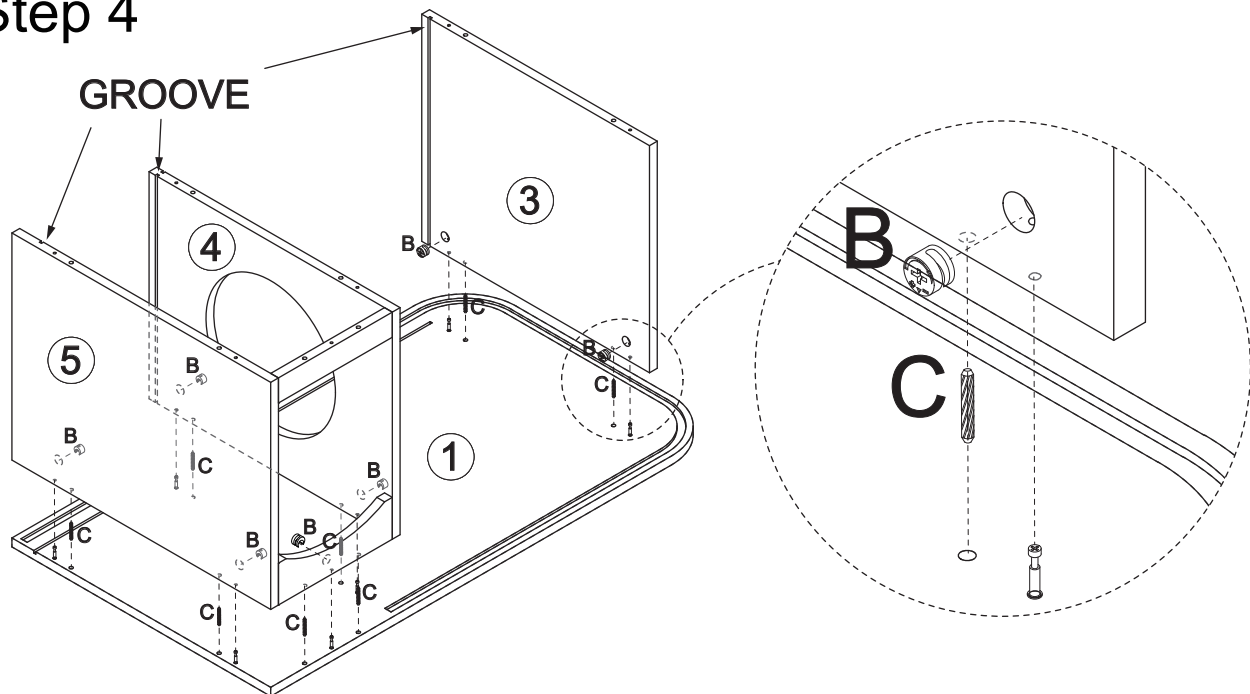


Step 3

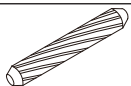


A x 7PCS

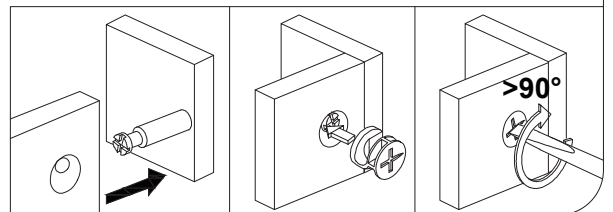
Step 4



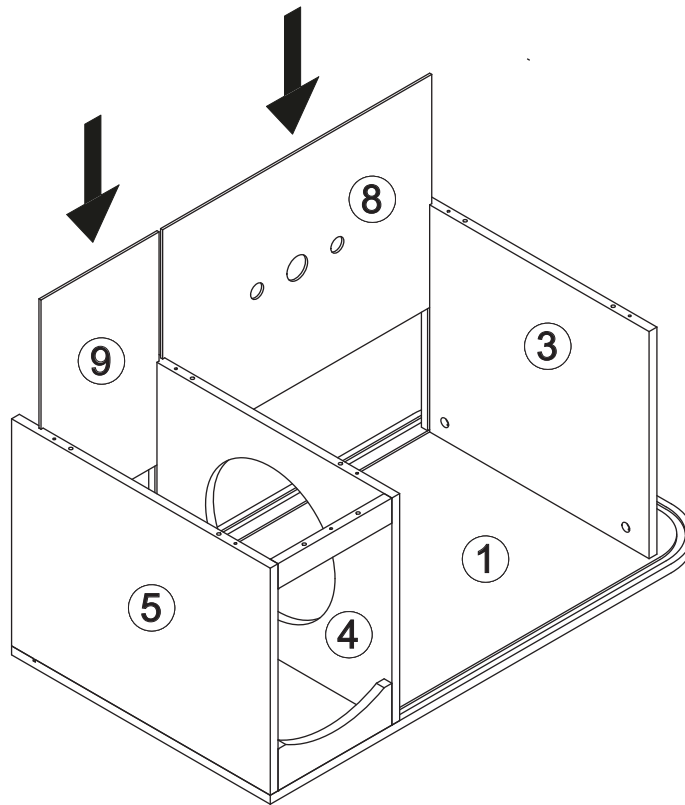
B x 7PCS



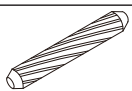
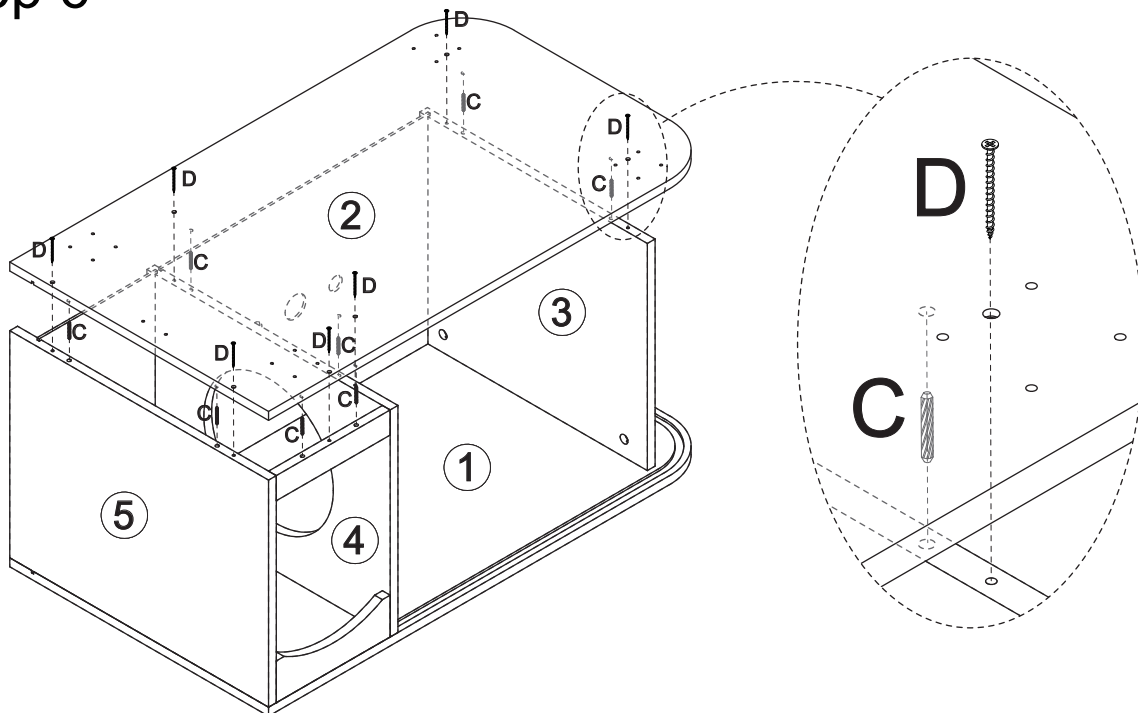
C x 8PCS



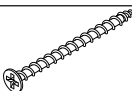
Step 5



Step 6

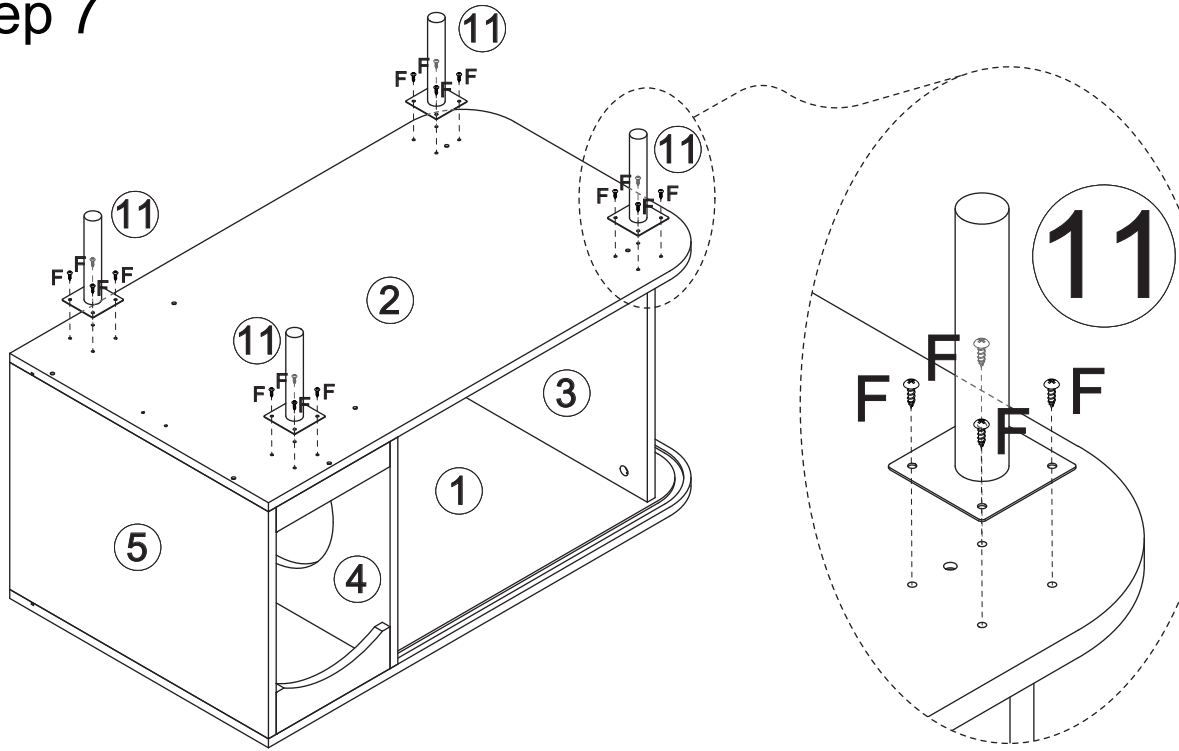


C x 8PCS



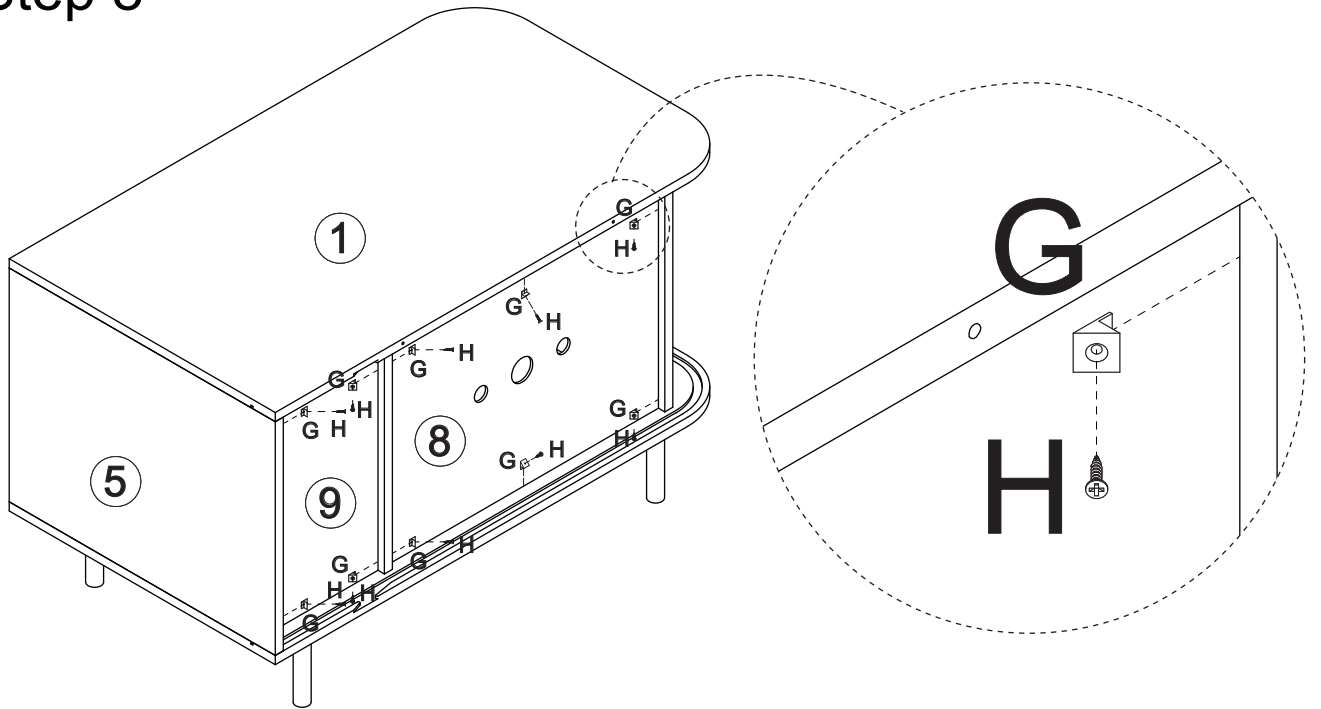
D x 7PCS

Step 7



F x 16PCS

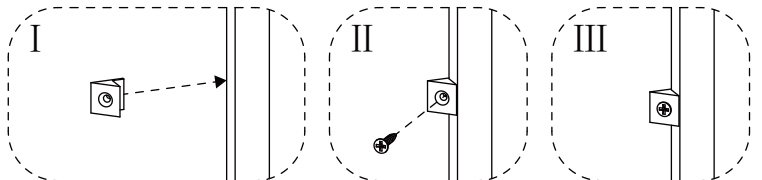
Step 8



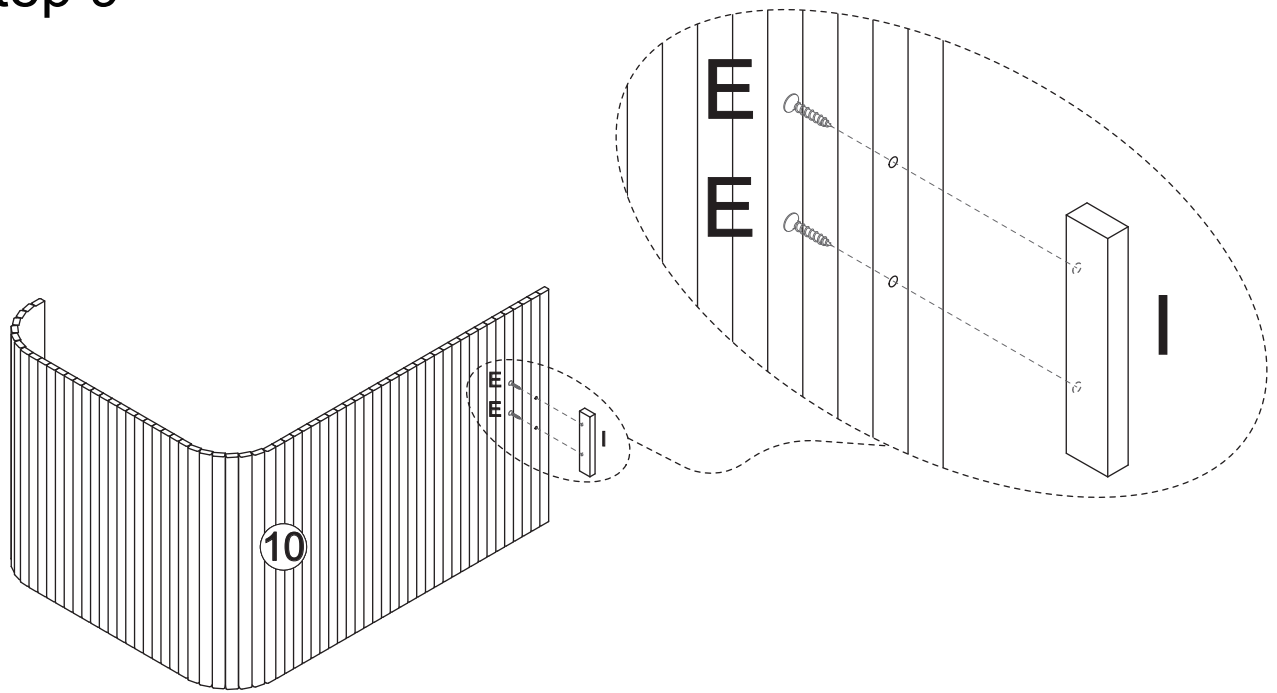
G x 10PCS

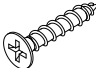
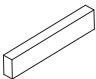


H x 10PCS

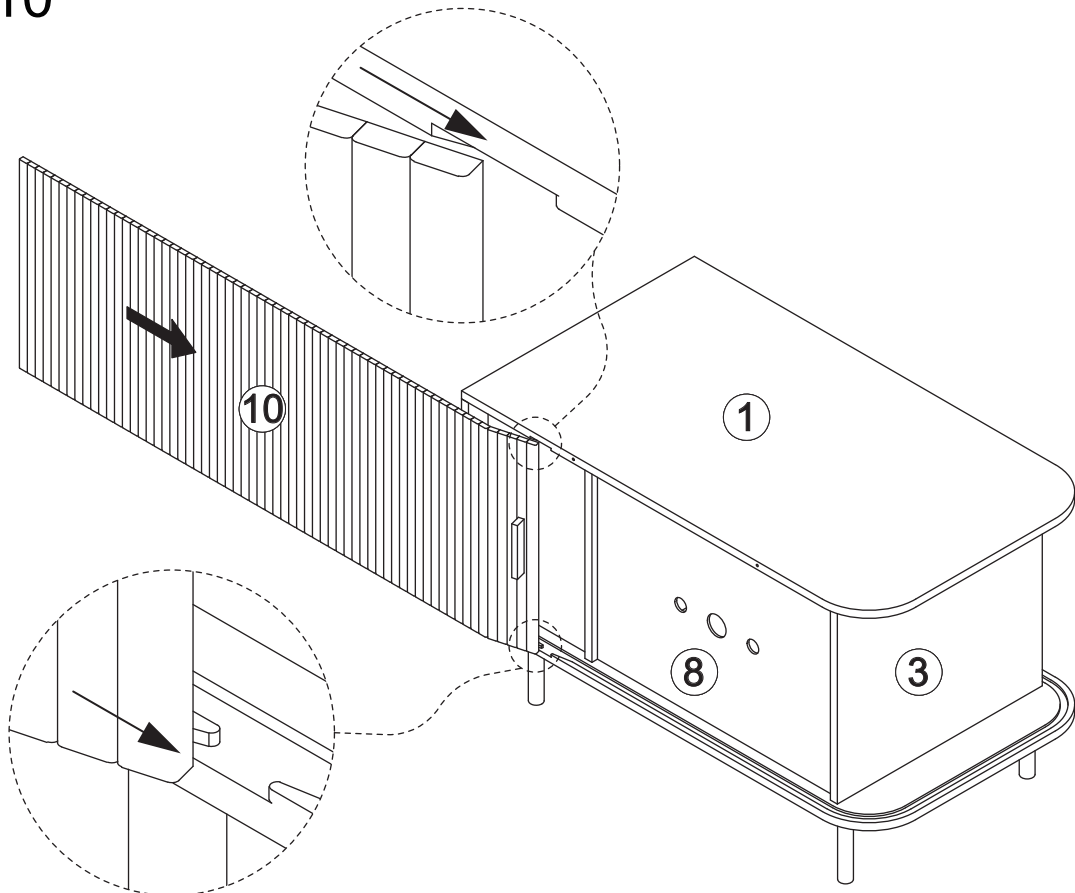


Step 9

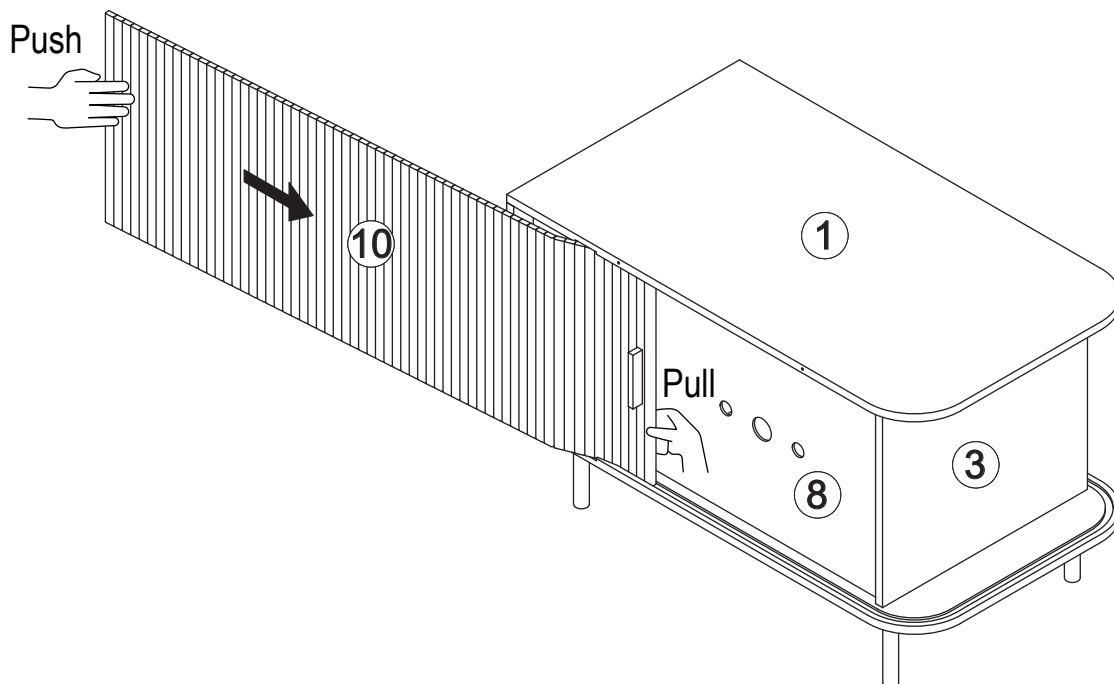


	E x 2PCS
	I x 1PCS

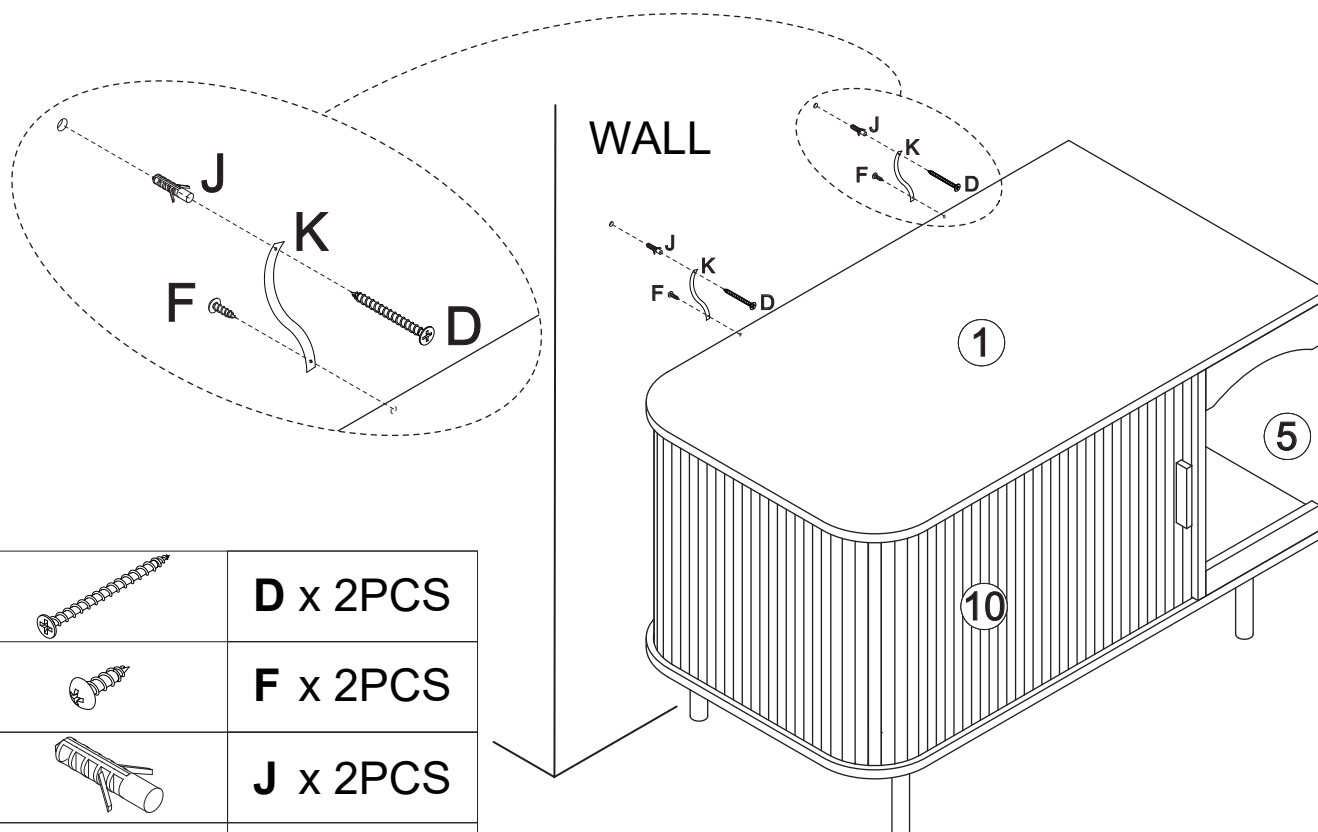
Step 10

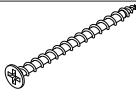

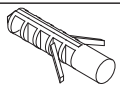



Step 11



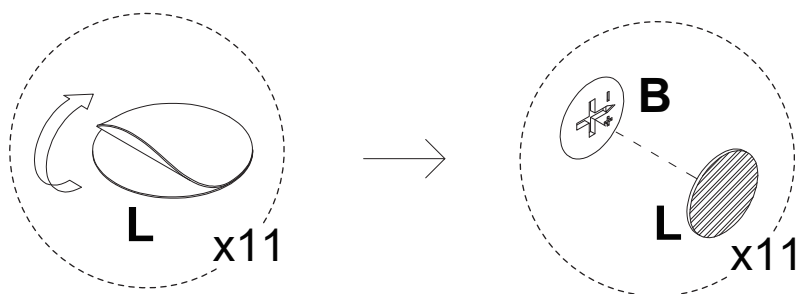
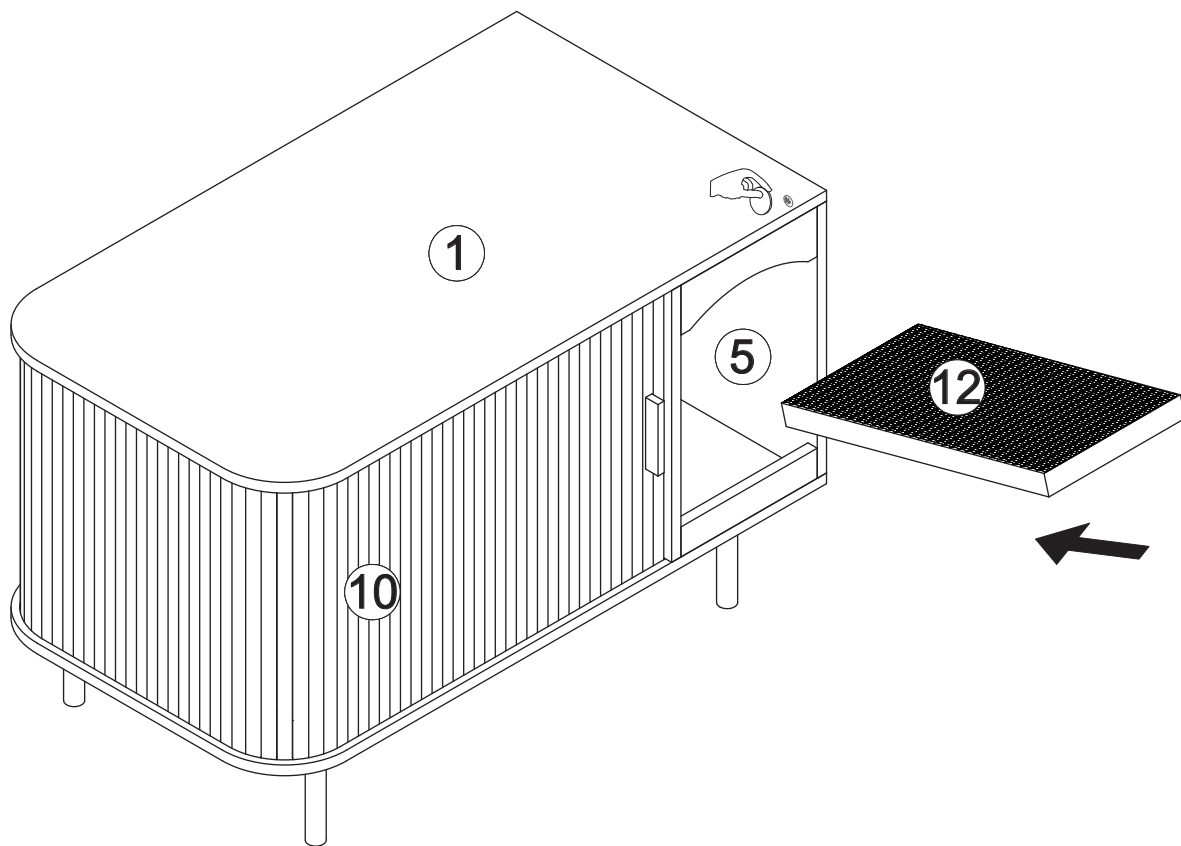
Step 12



	D x 2PCS
	F x 2PCS
	J x 2PCS
	K x 2PCS

Step 13

Notice: Covered all the
cam lock holes with the
sticker (L)



L x 11PCS



WARNING



Children have died from furniture tipover. To reduce the risk of furniture tipover:

- **ALWAYS** install Anti-tip device provided.
- **NEVER** put a TV on this product.
- **NEVER** allow children to stand, climb or hang on drawers, doors, or shelves.
- **NEVER** open more than one drawer at a time.
- Place heaviest items in the lowest drawers.

