

## FARO

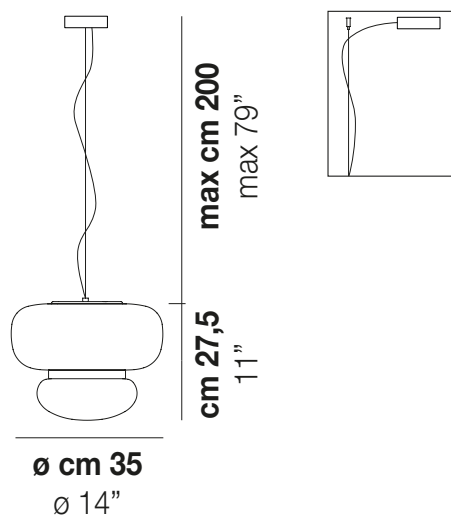
Design Oriano Favaretto

## FARO SP P



Faro consists of two glasses harmoniously connected by a metal ring. The first glass, with a transparent colored finish, appears to be connected to the second white glass that hides the LED source. The light is diffused, uniform and non-dazzling. Available in two sizes, in both pendant and ceiling versions.

## FARO SP P



### TECHNICAL DATA:



LED 2700K DIM2	1x13W	120V/60HZ
LED 2700K DIM3	1x13W	120V/60HZ
LED 3000K DIM2	1x13W	120V/60HZ
LED 3000K DIM3	1x13W	120V/60HZ

### CERTIFICATIONS:



Led 2700 K 13 W 37 V 2000 lm DIM2 Phase Cut
Led 2700 K 13 W 37 V 2000 lm DIM3 0-10V, Push
Led 3000 K 13 W 37 V 2000 lm DIM2 Phase Cut
Led 3000 K 13 W 37 V 2000 lm DIM3 0-10V, Push

VOLUME	Mc 0,1
GROSS WEIGHT	Kg 6,5
NET WEIGHT	Kg 4,8

download



### SHADE FINISHING



ADBC

CRBC

TBBC

VABC

### FRAME FINISHING

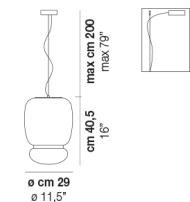


NEO

OTV

### OTHER VERSION AVAILABLE

Click on the version to go to the web version of the product



FARO SP G