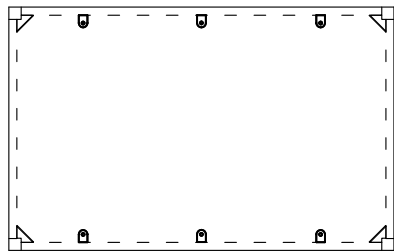
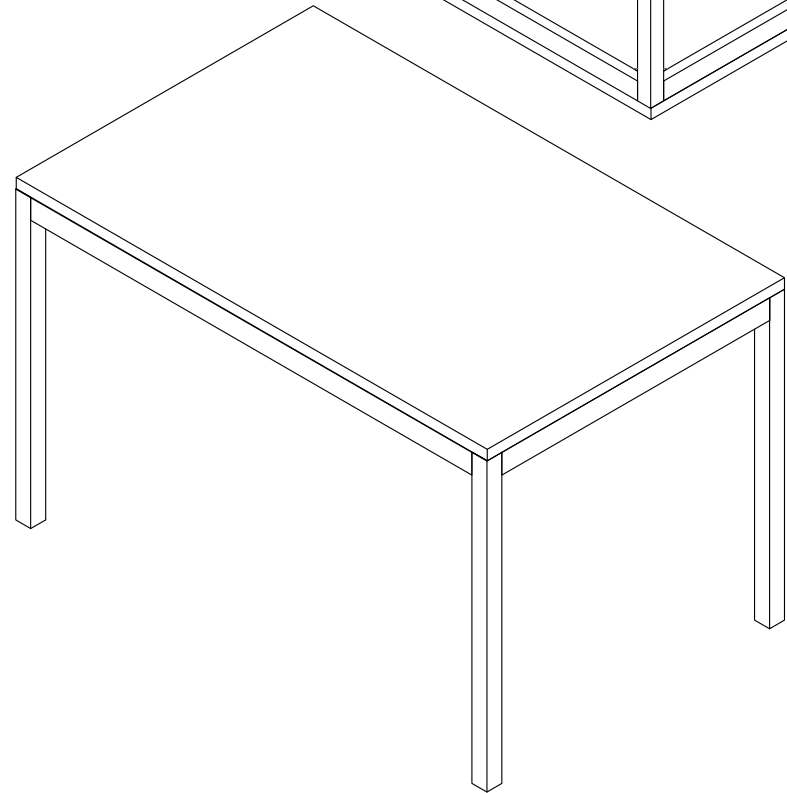
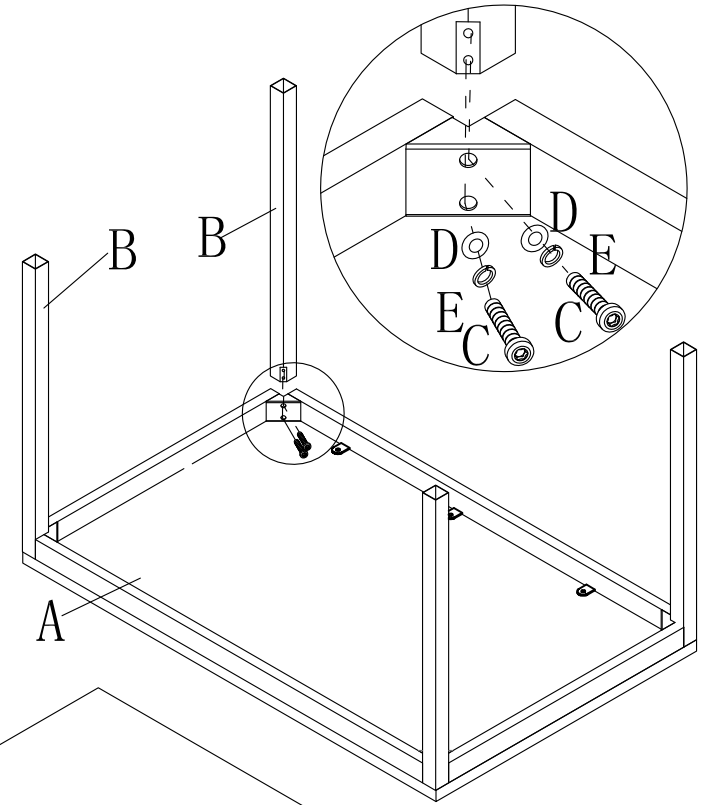
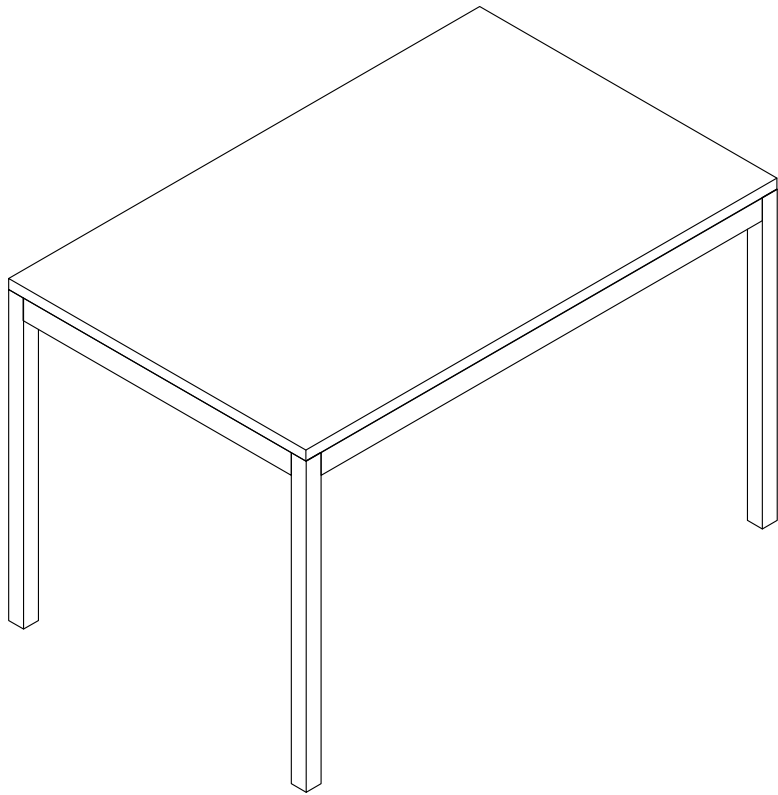


ASSEMBLY INSTRUCTIONS



A*1PCS



B*4PCS



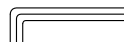
M8*50mm
C*8PCS



∅18*∅8.5
D*8PCS



M8
E*8PCS



M8
F*1PCS