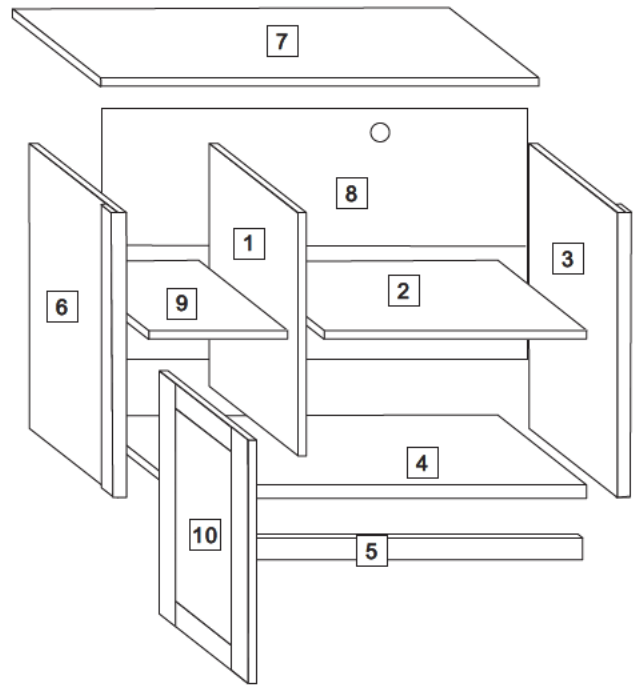
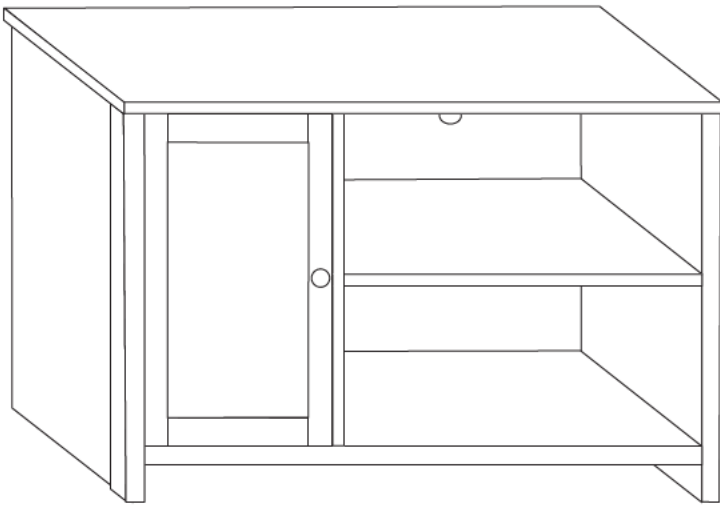












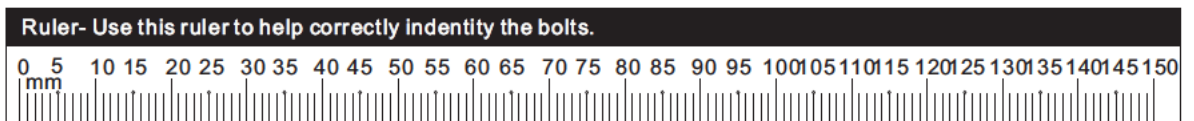


ASSEMBLY INSTRUCTIONS

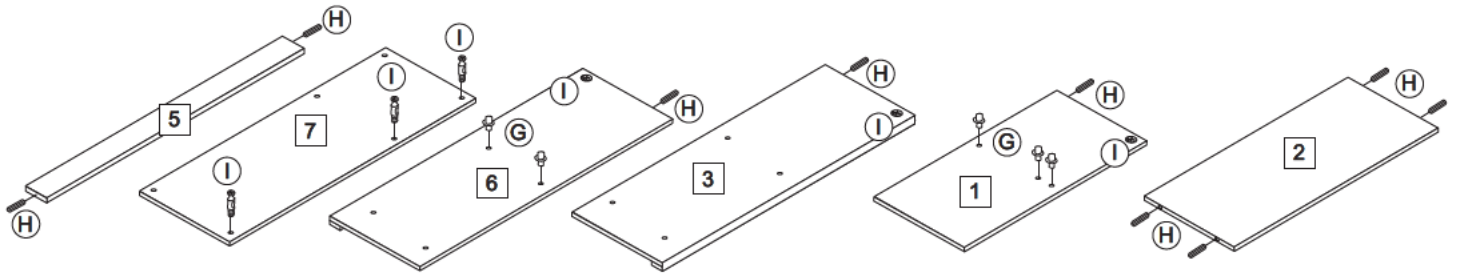
Please Keep For Future Reference



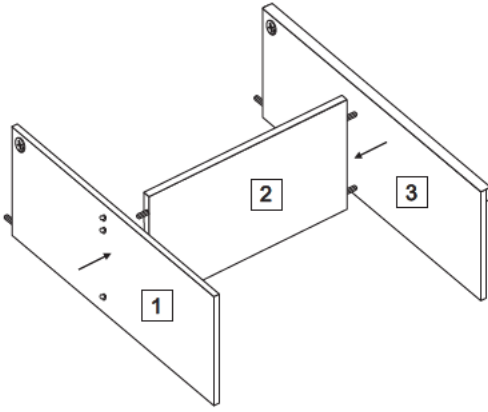
HARDWARE					
(A)  JCBC M5 X 40mm X 6	(B)  M3.5 X 14mm X 18	(C)  Nail X 30	(D)  Leg Pin X 6	(E)  Handle X 1	(F)  Button Head 22mm X 1
(G)  Metal Shelf Support X 5	(H)  Dowel (M8 X 25) X 9	(I)  Mini Fit X 3 sets	(J)  Metal L-Bracket X 3	(K)  Hinges X 2	(L)  Allen Key X 1



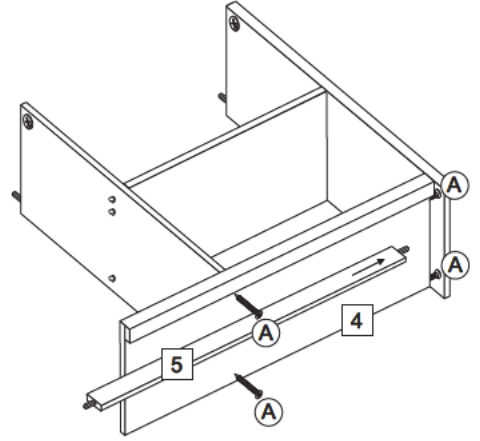
STEP 1



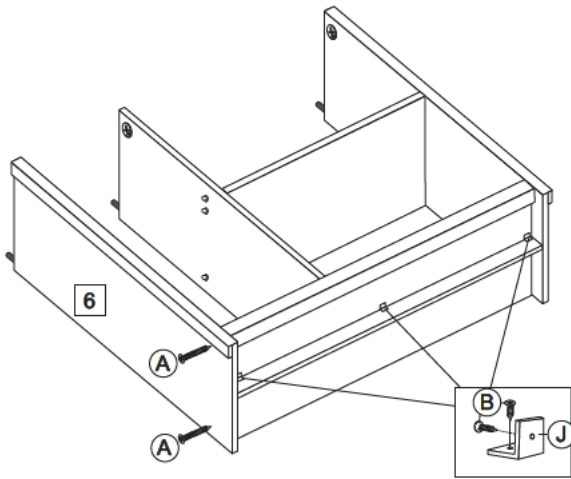
STEP 2



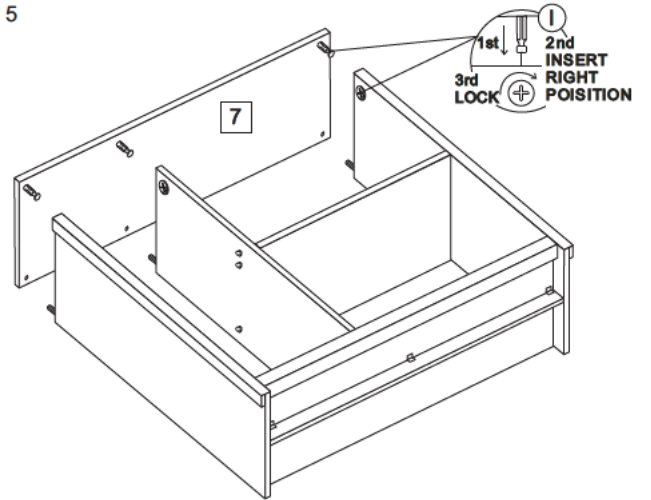
STEP 3



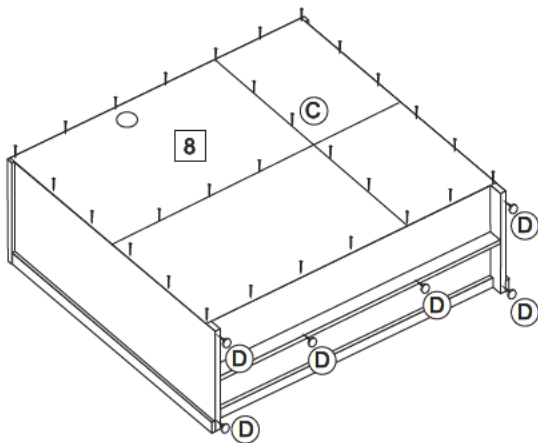
STEP 4



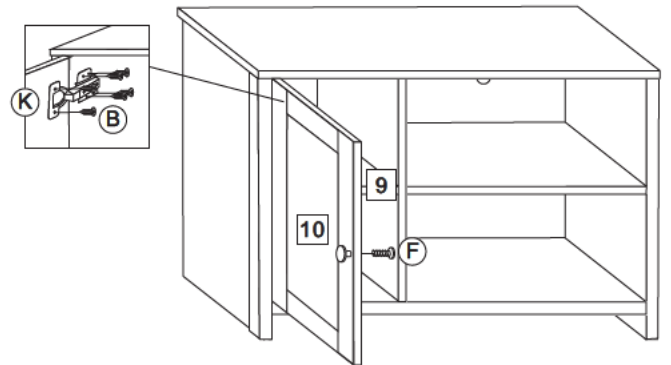
STEP 5



STEP 6



STEP 7



COMPLETE

