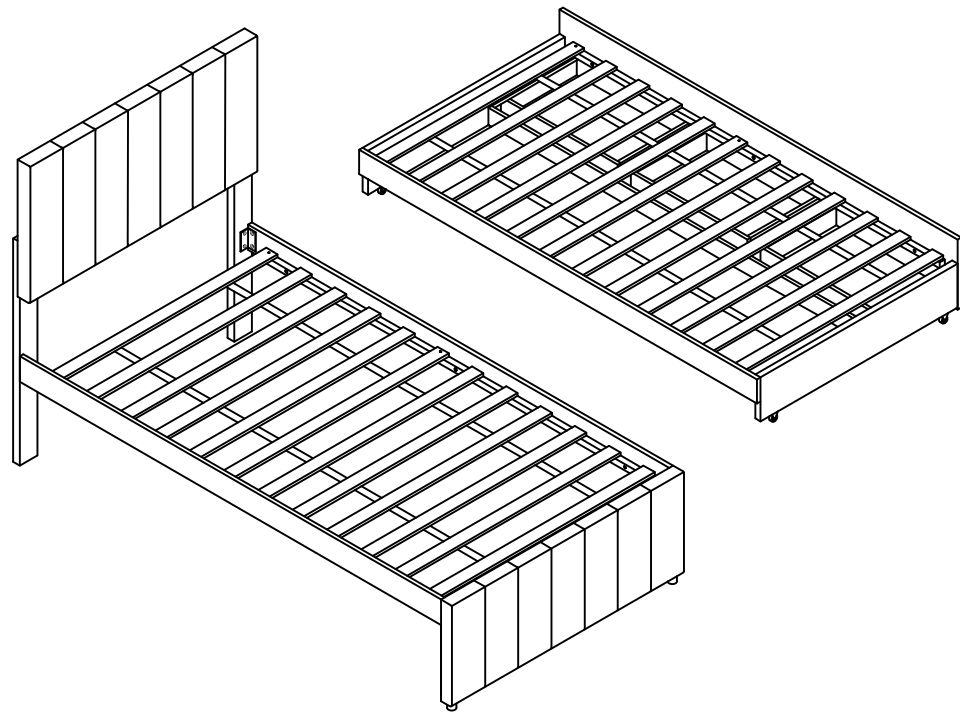
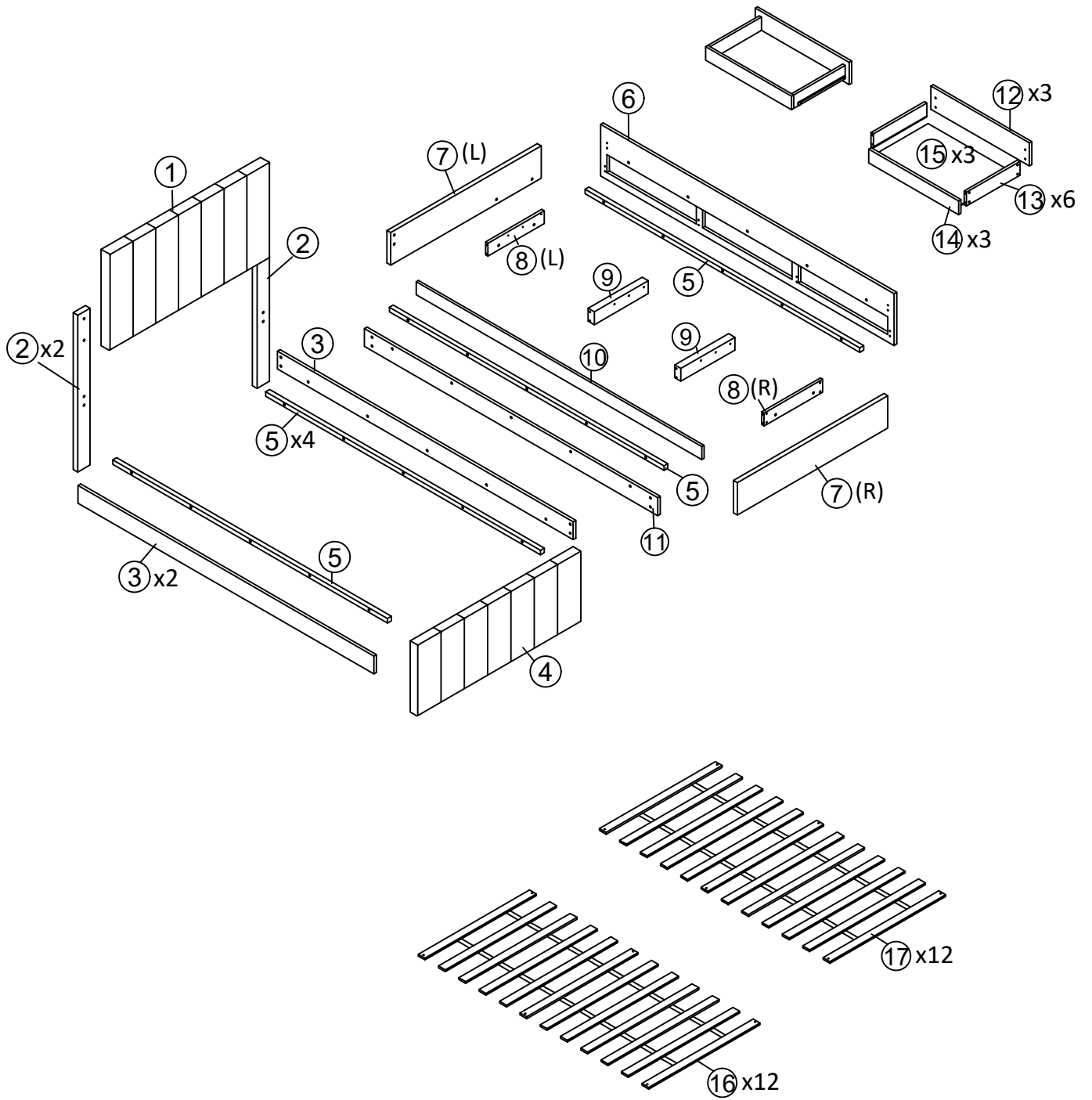


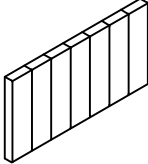

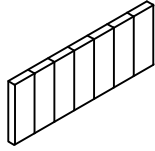
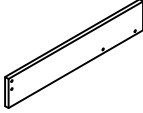
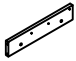
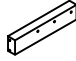


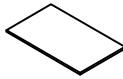
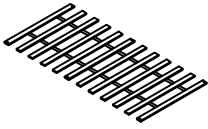
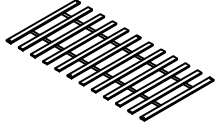
ASSEMBLY INSTRUCTION




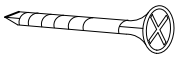
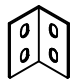
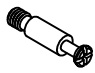


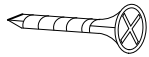
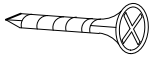



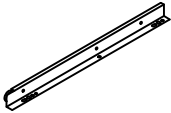
Detail View



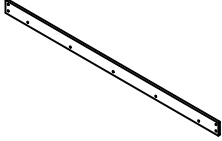

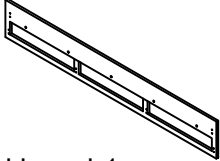

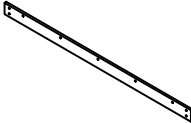

Part List + Hardware List

<p>1</p>  <p>Head board-1pc</p>	<p>2</p>  <p>Head board legs-2pcs</p>	<p>4</p>  <p>Foot board-1pc</p>
<p>7</p>  <p>Bottom bed board-2pcs</p>	<p>8</p>  <p>Bottom bed board-2pcs</p>	<p>9</p>  <p>Bottom bed board-2pcs</p>
<p>12</p>  <p>Drawer outer board-3pcs</p>	<p>13</p>  <p>Drawer board-6pcs</p>	<p>15</p>  <p>Drawer bottom board-3pcs</p>
<p>16</p>  <p>Slats(970mm)-12pcs</p>	<p>17</p>  <p>Slats(984mm)-12pcs</p>	




Hardware List

<p>D</p>  <p>H:30mm</p>	<p>E</p>  <p>Ø4*40mm</p>	<p>F</p>  <p>77*33**33*3mm</p>
<p>Bed legs(2pcs)</p>	<p>Nails(2pcs)</p>	<p>"7" Connector(6pcs)</p>
<p>G</p> 	<p>H</p> 	<p>I</p> 
<p>Drawer fittings(40pcs)</p>	<p>Drawer fittings(40pcs)</p>	<p>Wheel(4pcs)</p>
<p>J</p>  <p>Ø3*16mm</p>	<p>L</p>  <p>Ø3*25mm</p>	<p>M</p>  <p>Ø4*30mm</p>
<p>Nails(44pcs)</p>	<p>Nails(8pcs)</p>	<p>Nails(12pcs)</p>
<p>N</p>  <p>38*19mm</p>	<p>O</p> 	<p>P</p> 
<p>Little "7" Connector(2pcs)</p>	<p>Drawer track(3pcsR/3pcsL)</p>	<p>Drawer track(3pcsR/3pcsL)</p>

Part List + Hardware List

<p>3</p>  <p>Siderails-2pcs</p>	<p>5</p>  <p>Side rails support bar-4pcs</p>	<p>6</p>  <p>Bottom bed board-1pc</p>
<p>10</p>  <p>Bottom bed board-1pc</p>	<p>11</p>  <p>Bottom bed board-1pc</p>	<p>14</p>  <p>Drawer board-3pcs</p>

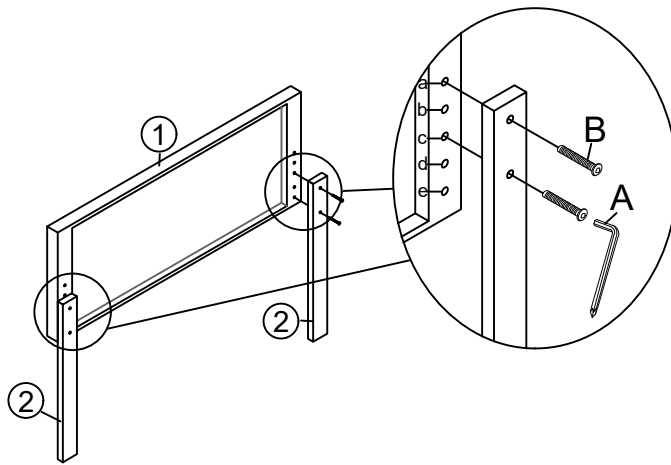
Hardware List



<p>A</p>  <p>Allen Key(1pc)</p>	<p>B</p>  <p>Ø8*40mm</p> <p>Bolts(28pcs)</p>	<p>C</p>  <p>Ø8*18mm</p> <p>Bolts(24pcs)</p>
---	--	--

Attention: Do not tighten the screws before completing the entire installation. If you have any difficulty with the installation process, please feel free to contact us.

Step 1

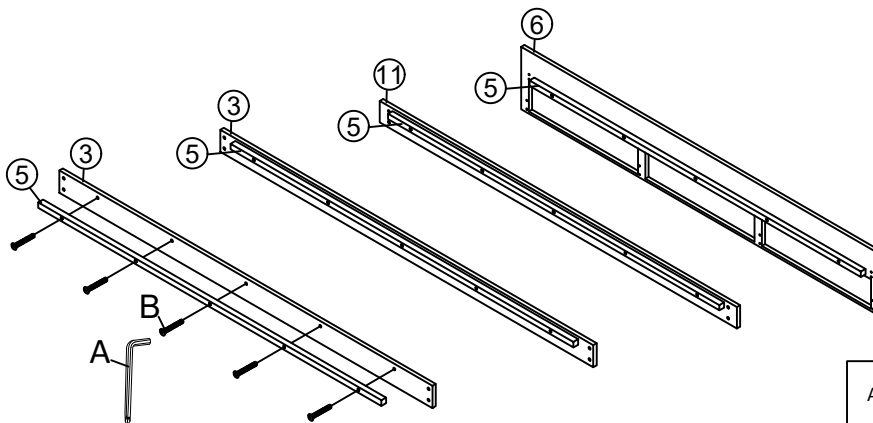
Fix the Headboard legs ② to the Headboard ① with Bolt B by using Allen key A. You can chose the hole a and c ,or b and d,or c and e.





A Allen Key	B Bolts x 4 M8X40mm
	

Step 2

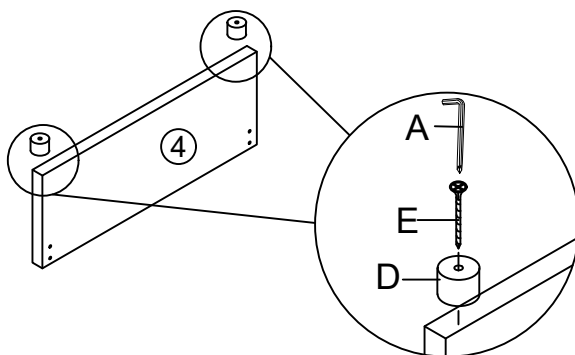
Connect Siderails support bar ⑤ to siderails ③, Bottom bed board ⑥ and ① with Bolts B by using Allen key A.






A Allen Key	B Bolts x 20 M8X40mm
	

Step 3

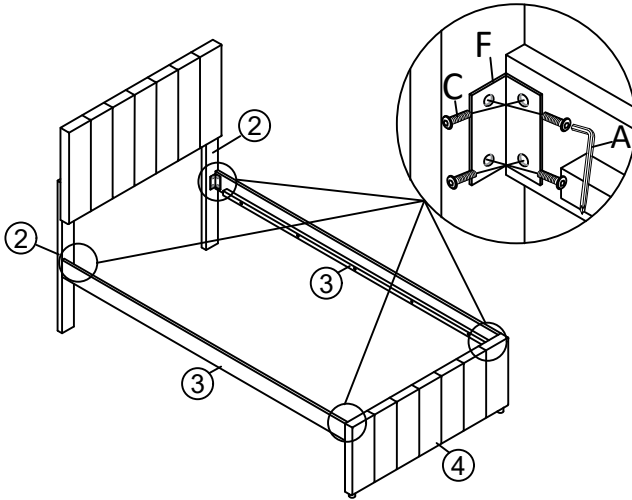
Fix the legs D to the Footboard ④ with Nails E by using Allen key A or Electric drill .






A Allen Key	D Legs x 2	E Nails x 2 M4X40mm
		

Step 4

Fix the siderails ③ to the Headboard legs ② and footboard ④ with Bolt C and "7" Connector F by using Allen key A.

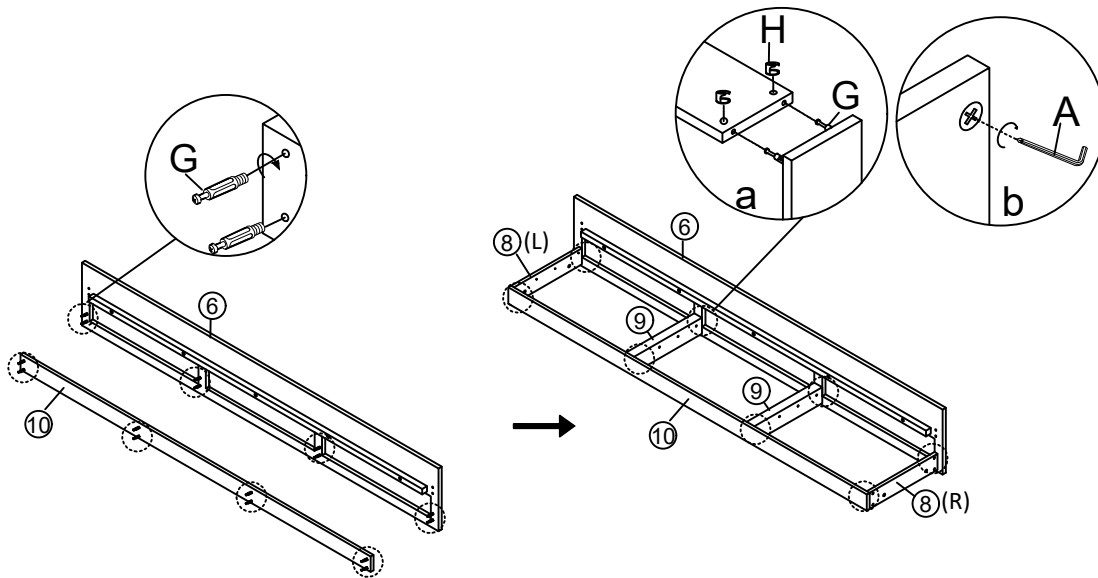





A Allen Key	C Bolts x 16 M8x18mm	F "7" Connector x 4
		

Step 5

Fix Drawer fittings G to Bottom bed board ⑥ and ⑩ .

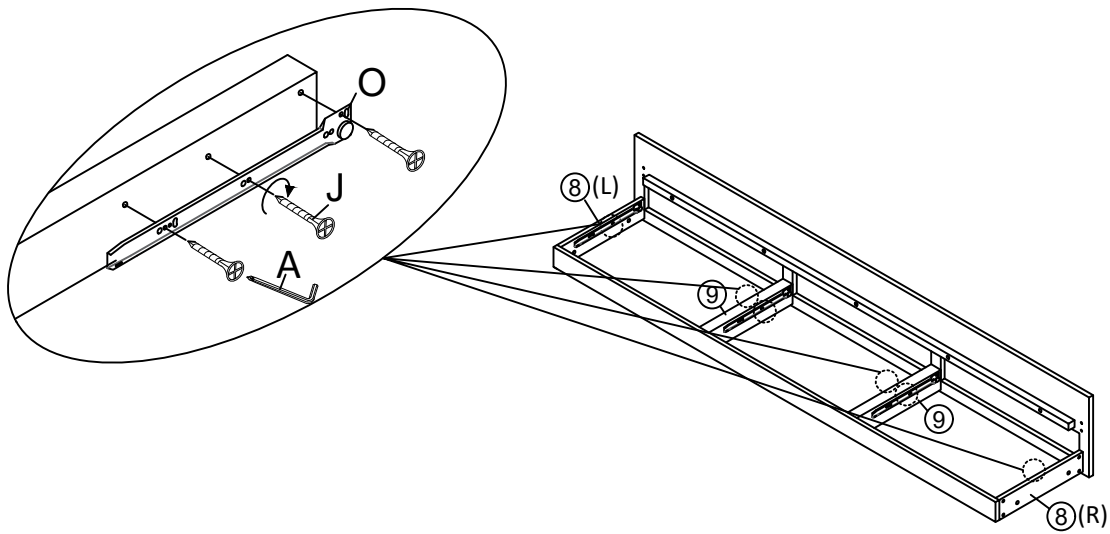
Connect Bottom bed board ⑥ and ⑩ with Bottom bed Board ⑧ and ⑨ with Drawing fittings H by using Allen key A.






A Allen Key	G Drawer fittings x 16	H Drawer fittings x 16
		

Step 6

Fix Drawer track O to Bottom bed board ⑧ and ⑨ with Nails J by using Allen key A or Electric drill.

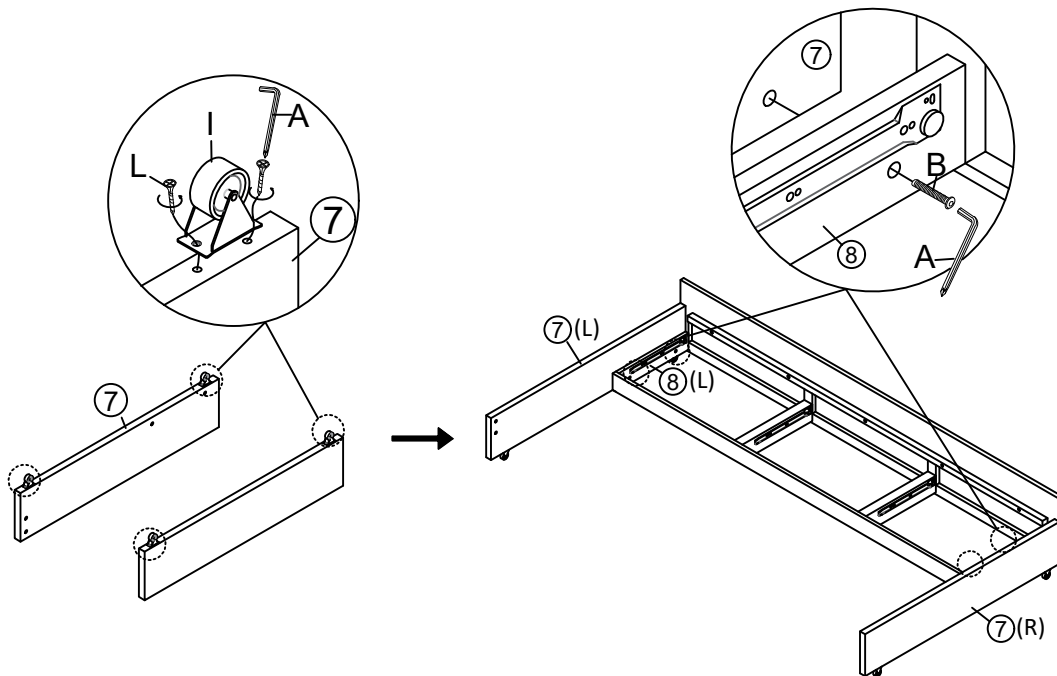



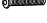


A Allen Key	O Drawer track (3pcsR/3pcsL) x 6	J Nails x 18 M3X16mm
		

Step 7

Fix Wheel I to Bottom bed board ⑦ with Nails I by using Allen key A or Electric drill.

Attach Bottom bed board ⑦ to ⑧ with Bolts B by using Allen key A .

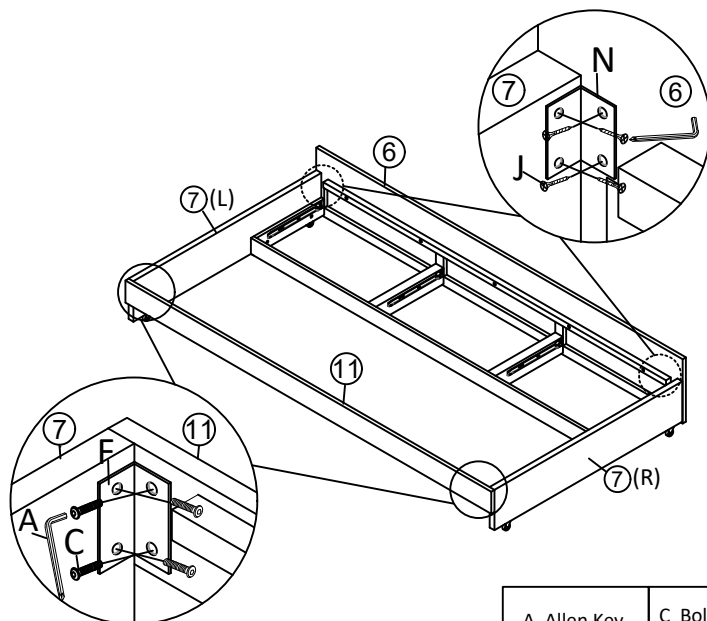



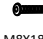

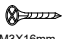

A Allen Key	B Bolts x 4 M8X40mm	L Nails x 8 M3X25mm	I Wheel x4
			

Step 8

Fix Bottom bed board ⑥ and ⑦ with small "7" Connector N and Nails J by using Allen key A or Electric drill.

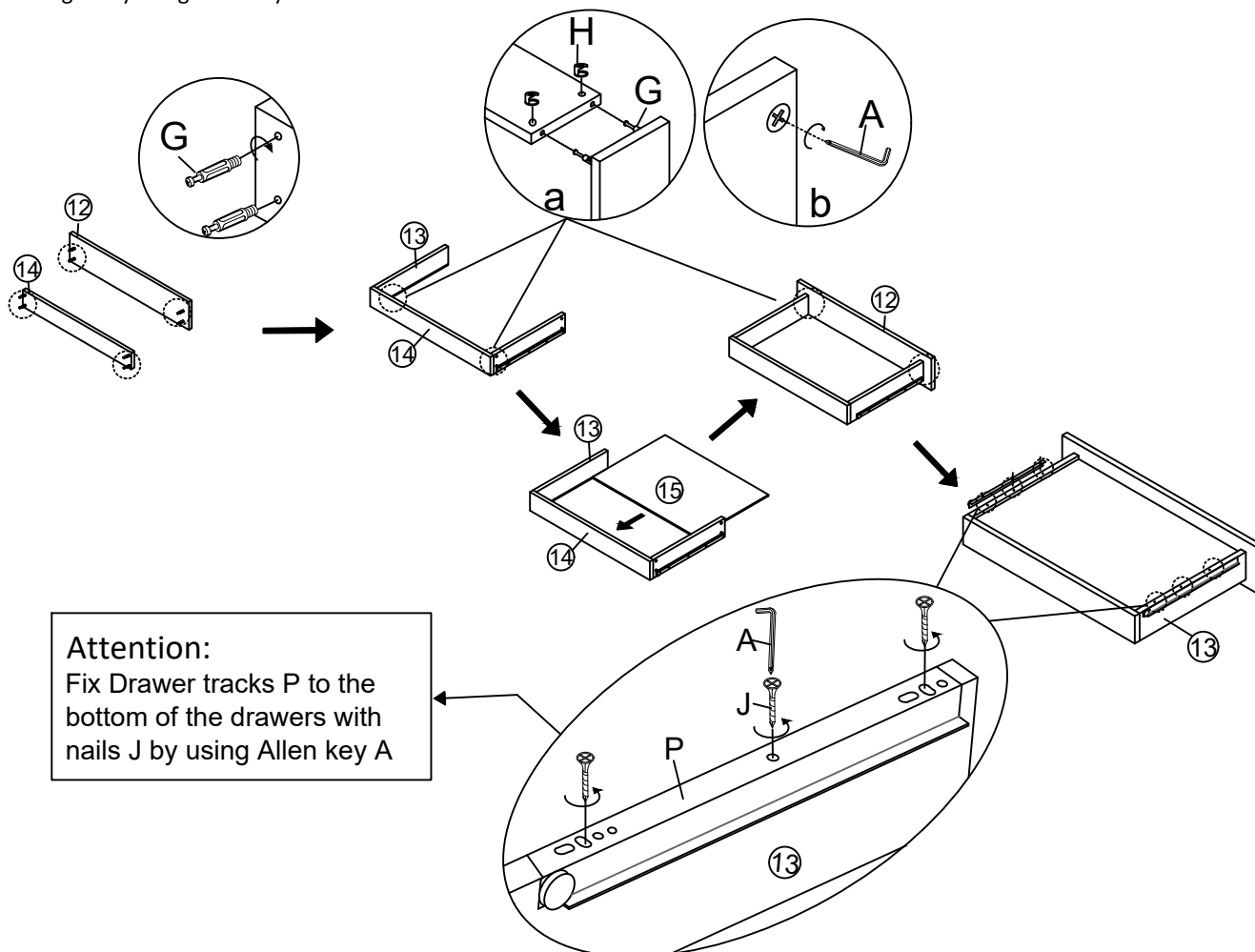
Fix Bottom bed board ⑦ and ⑪ with "7" Connector F and Bolts C by using Allen key A .








A Allen Key 	C Bolts x 8 M8X18mm 	F "7" Connector x 2 	J Nails x 8 M3X16mm 	N Small "7" Connector x 2 
--	---	--	---	--

Step 9 x3

Fix the Drawing fitting G to the Drawer out board ⑫ and Drawer board ⑭ .Connect Drawer board ⑬ to ⑫ and ⑭ with Drawer fittings H by using Allen key A .

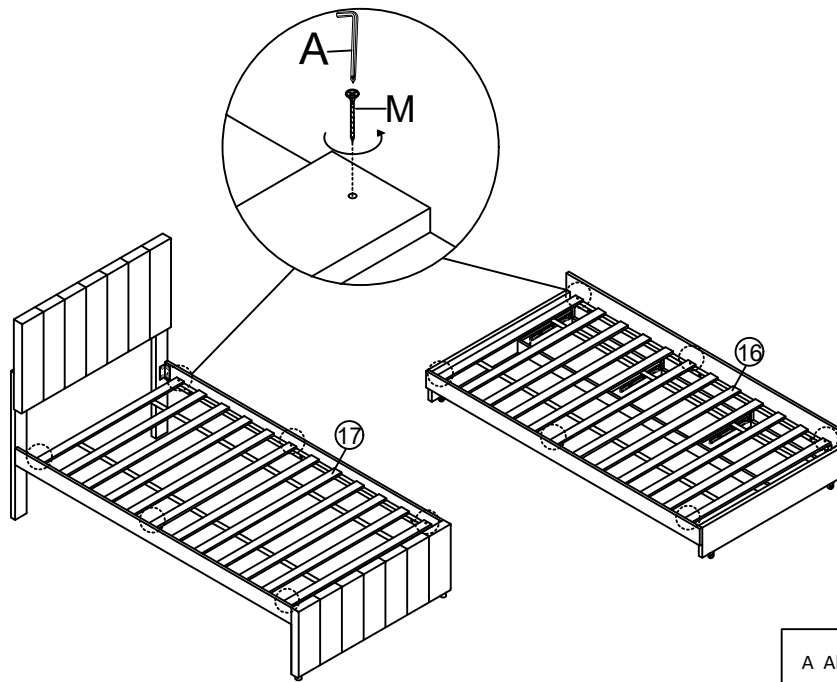




Attention:
Fix Drawer tracks P to the bottom of the drawers with nails J by using Allen key A

A Allen Key 	G Drawer fittings x 24 	H Drawer fittings x 24 	J Nails x 18 M3X16mm 	P Drawer track (3pcsR/3pcsL) x 6 
--	---	---	--	---

Step 10

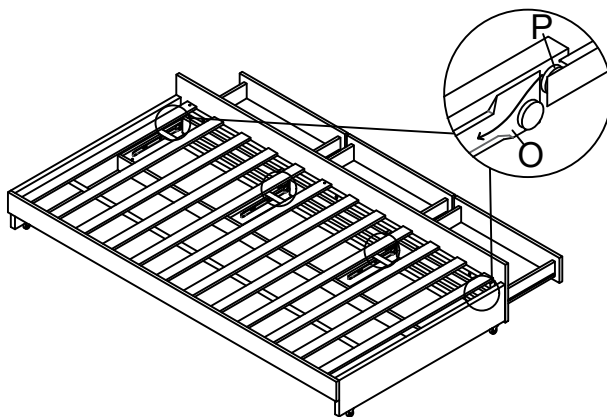
Fix the slats ⑯ and ⑰ to the side support bar with Nails M by using Allen key A or Electric drill.



A Allen Key	M Nails x 12
	 M4X30mm

Step 11

Push drawers into the bottom bed.



Step 12

Push the bottom bed into the bed and enjoy it.

