

Instruction Manual

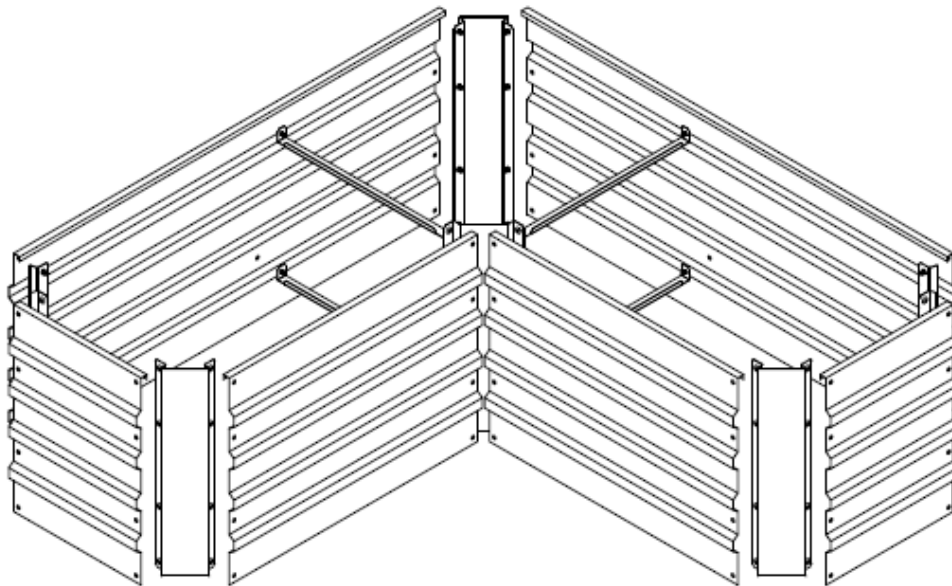
SAVE THESE INSTRUCTIONS

	L-Shaped Galvanized Raised Garden Bed







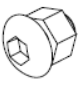
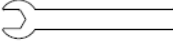
PLEASE READ ALL INSTRUCTIONS BEFORE ASSEMBLY.

Unpack all parts from the packaging inside the carton to ensure there are no missing or damaged parts. If any parts are missing or damaged, do not attempt to assemble or use the product.

CARTON CONTENTS:



Hardware:

A		Panel A x 2	B		Panel B x 2
C		Panel C x 2	D		Frame-a x 5
E		Frame-b x 1	F		Brace x 4
		Screws x 52			Wrench x 1

Tools required for assembly: Allen Key (included)

Instruction Manual

SAVE THESE INSTRUCTIONS

	L-Shaped Galvanized Raised Garden Bed

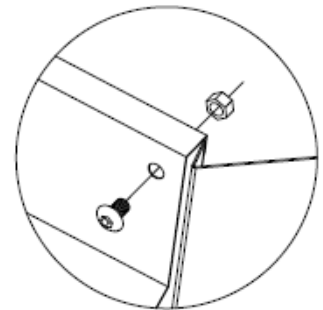
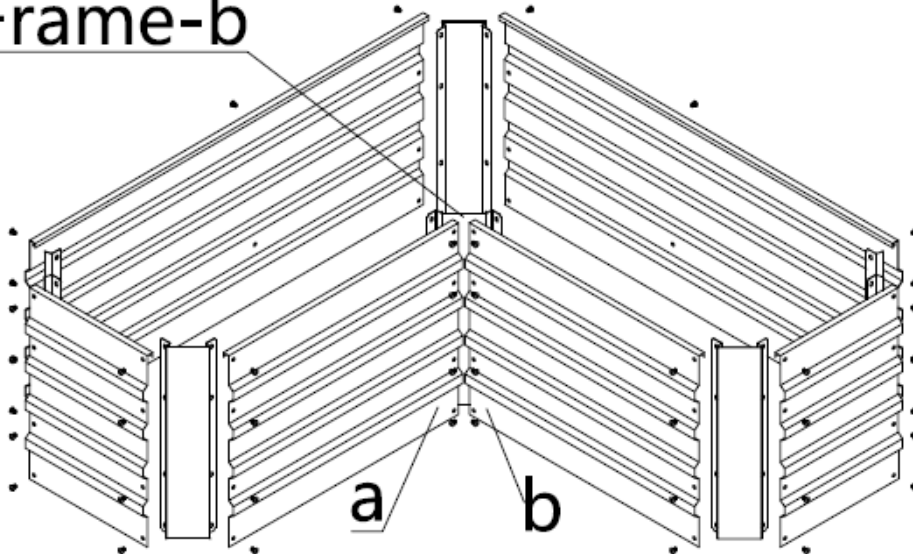
SAFETY INFORMATION:

- Tighten all screws before using.
- This planter is intended for outdoor use only. The floor may be wet when watering the plant.
- Not for use by children. Keep children and pets away from the planter.
- It is suggested to wear gloves when assembling the planter.

ASSEMBLY INSTRUCTIONS:

1. Assemble all the panels (A), (B), (C), (D), and (E) together using the screws and nuts provided. Only attach the second and fourth holes when attaching panel (A) to panel (B). This is where the braces will go (see Step 2).

Frame-b

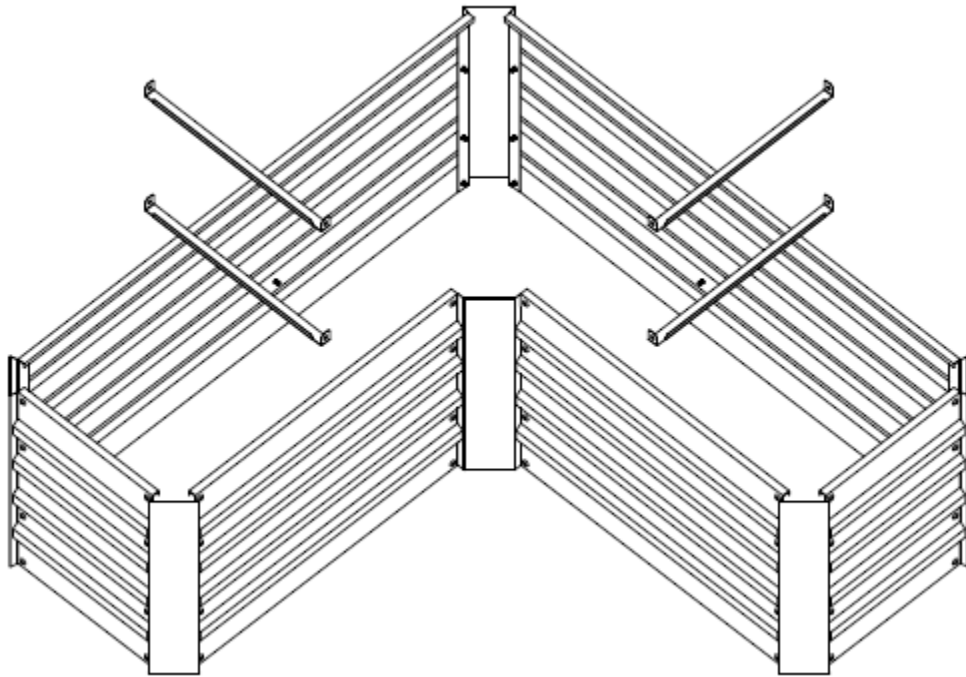


Instruction Manual

SAVE THESE INSTRUCTIONS

	L-Shaped Galvanized Raised Garden Bed

2. Assemble the braces (F) to the panels (A) and (B) where there are no screws.



Final:

