

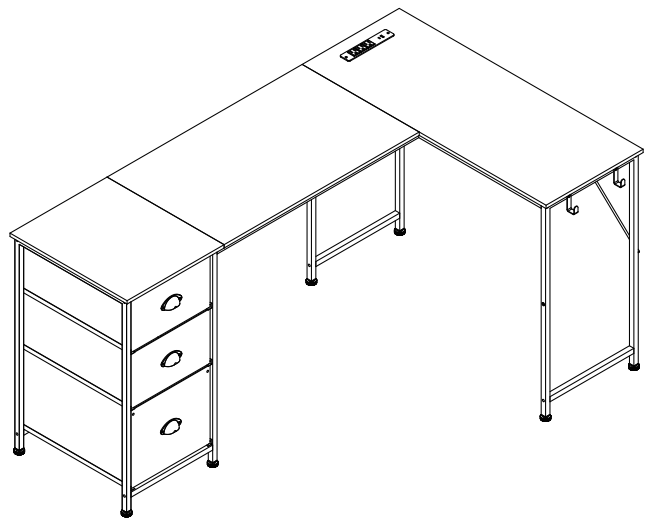
Content

○ Disassembly Diagram	01
------------------------------	----

○ Accessories	02-04
----------------------	-------

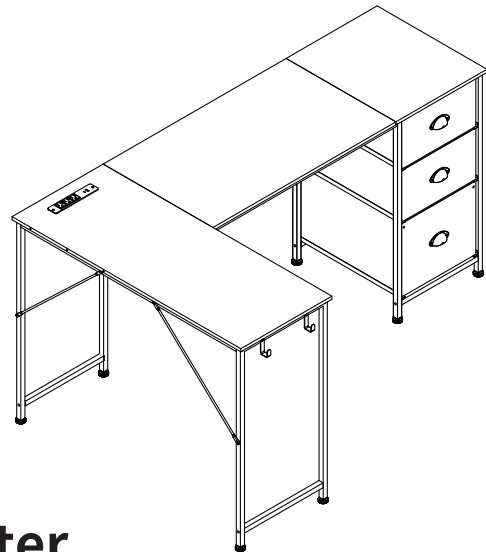
Assembly Instructions

○ File Drawer on the left	05-20
----------------------------------	-------



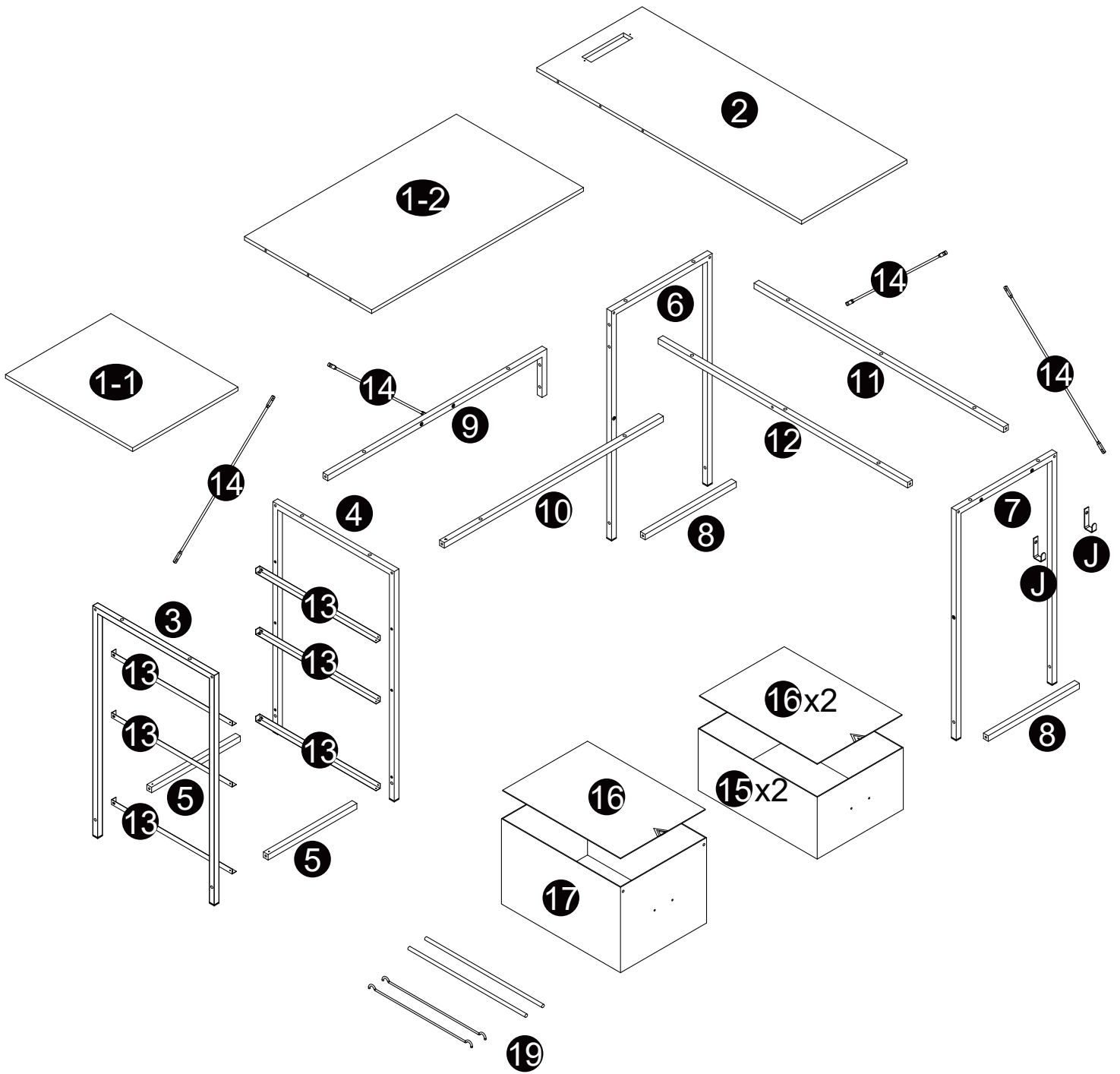
Assembly Instructions

○ File Drawer on the right	21-36
-----------------------------------	-------

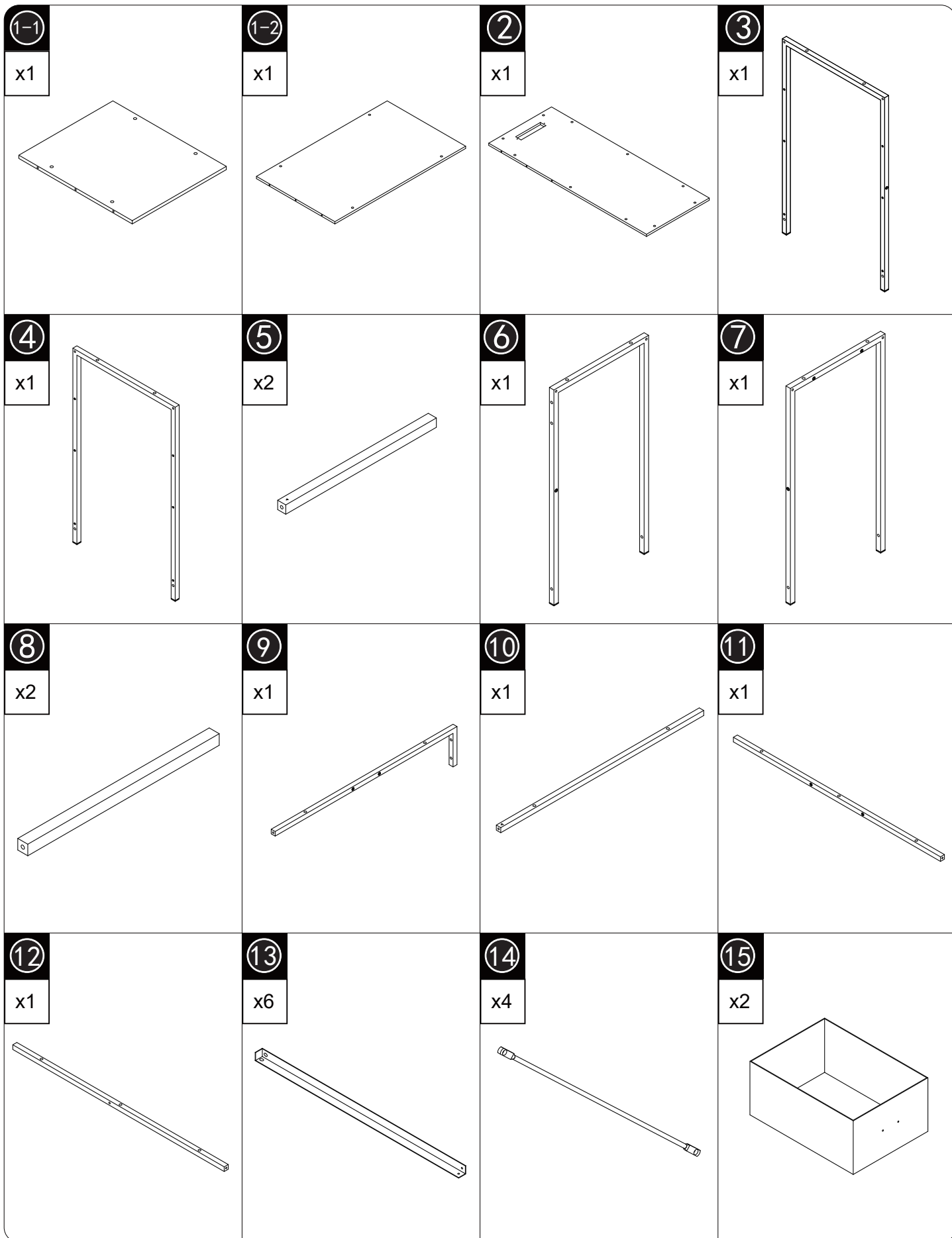


○ Problems You May Encounter	37
-------------------------------------	----

Disassembly Diagram



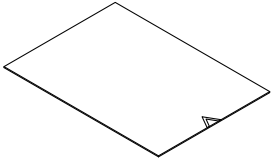
Accessories



Accessories

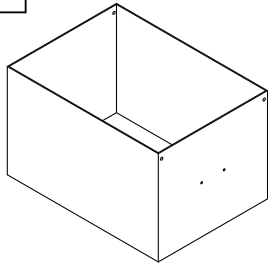
16

x3



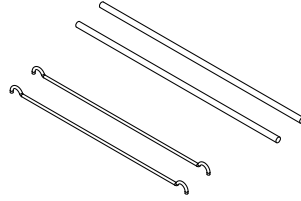
17

x1

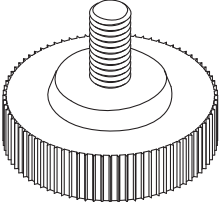
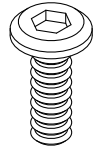
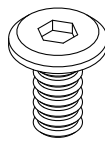
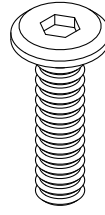
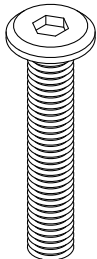
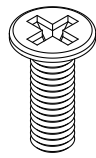
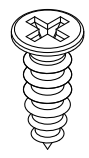
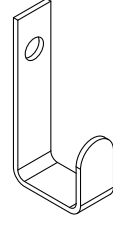
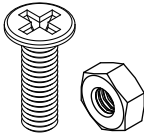

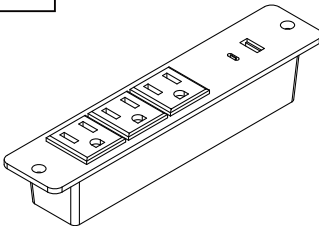
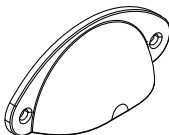

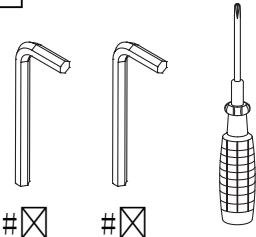


19

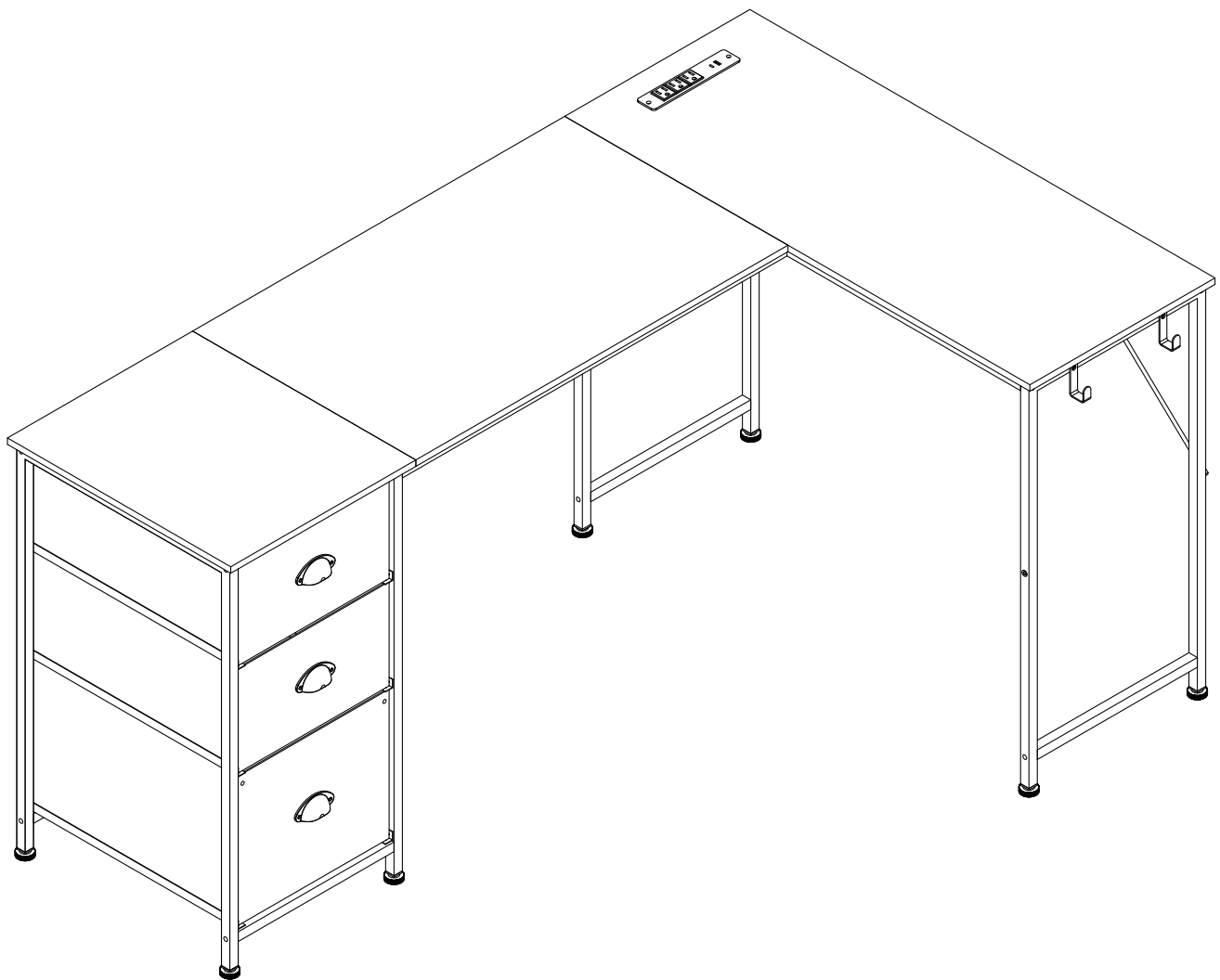
x1



Accessories

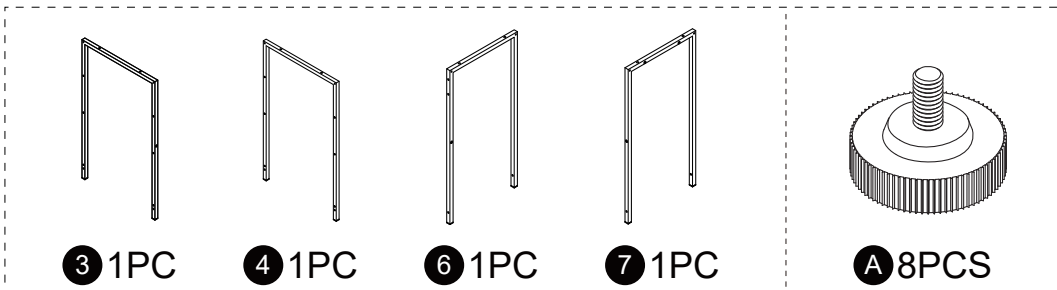
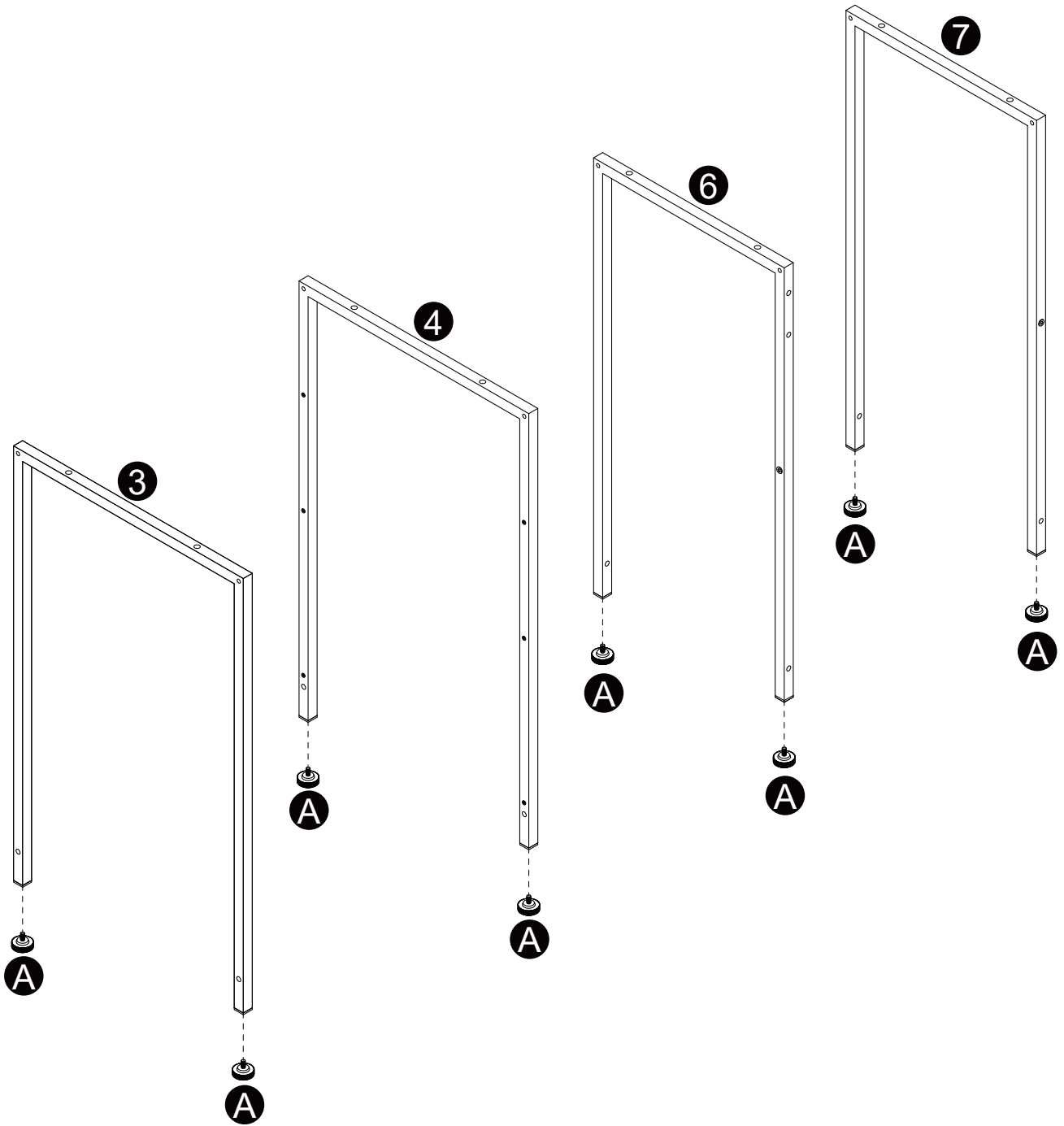
<p>A x9</p>  <p>M6</p>	<p>B x5</p>  <p>M5×15mm</p>	<p>C x12</p>  <p>M6×12mm</p>	<p>D x36</p>  <p>M6×25mm</p>
<p>E x3</p>  <p>M6×38mm</p>	<p>F x14</p>  <p>M4×8mm</p>	<p>H x3</p>  <p>ST4×12mm</p>	<p>J x2</p> 
<p>K x7</p>  <p>M4×12mm</p>	<p>L x7</p>  <p>ø6×30mm</p>	<p>M x1</p> 	<p>N x3</p> 
<p>O x4</p>  <p>ø12</p>	<p>P x1</p>  <p>#<input checked="" type="checkbox"/> #<input checked="" type="checkbox"/></p>		

File Drawer on the Left




Assembly Instructions

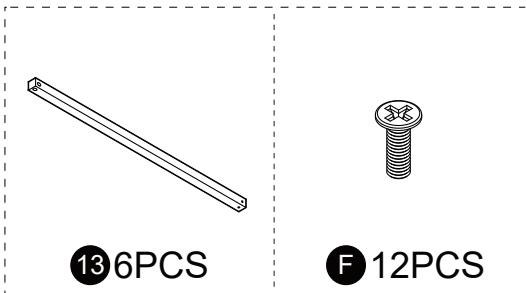
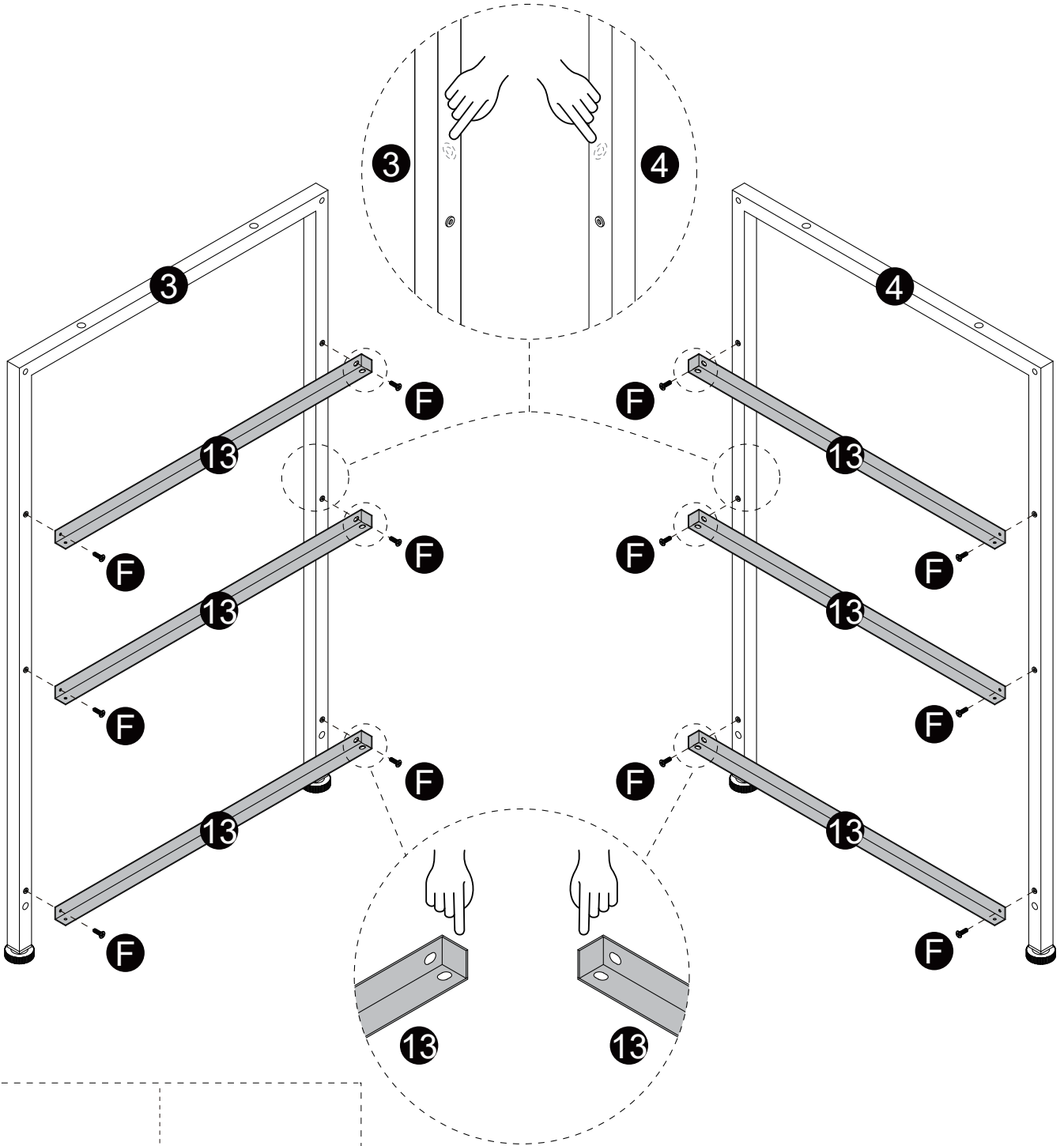
Step1: Screw in the adjustable feet **A**.



Assembly Instructions

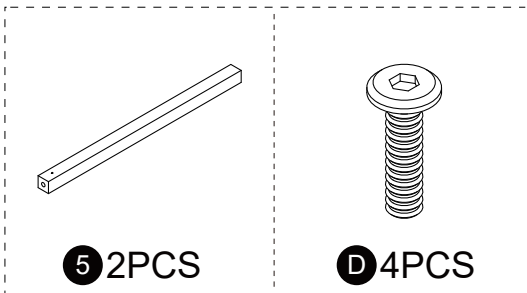
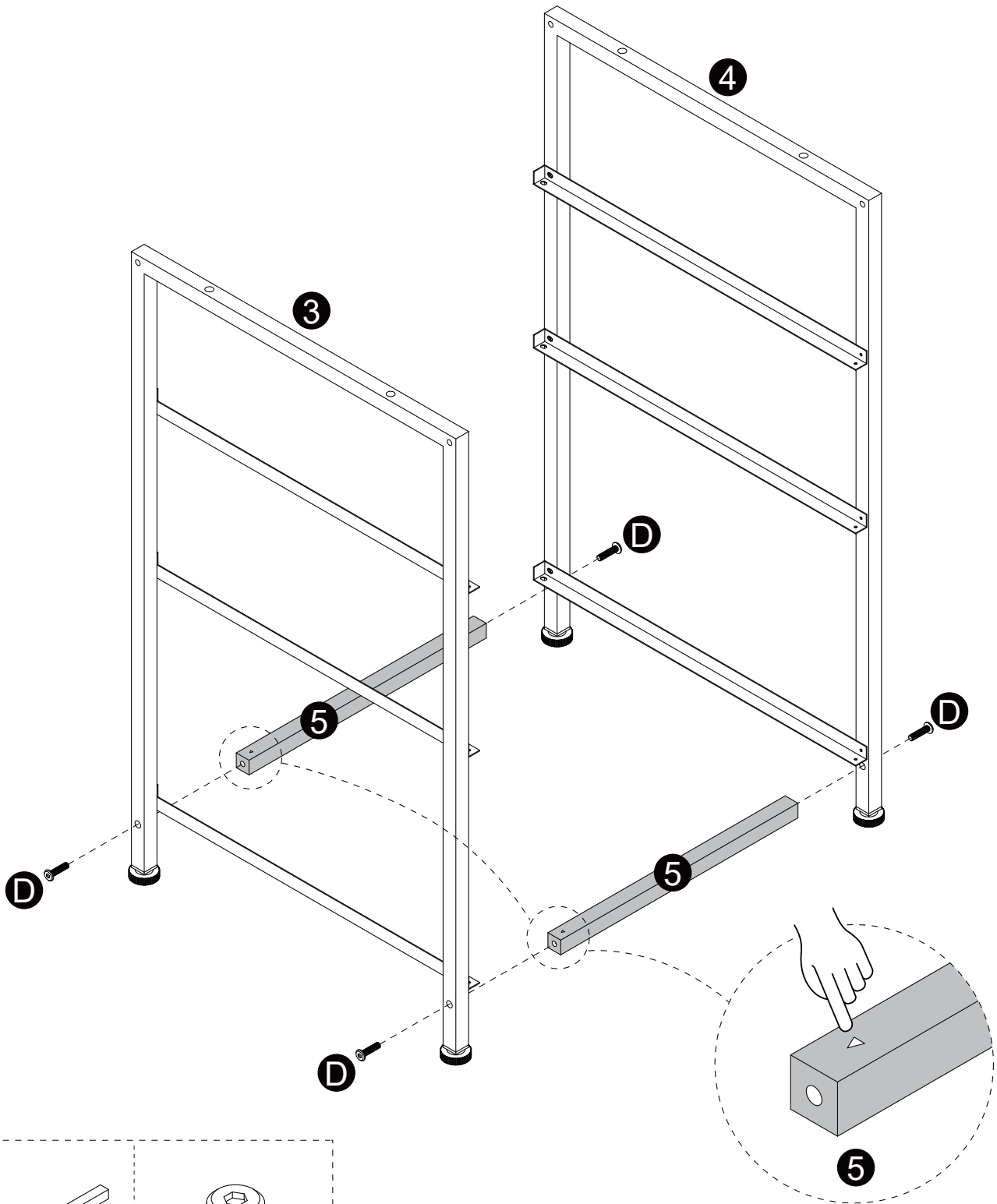
Step2: Fix the drawer slides **13** on the frame **3** & **4** with screws **F**.

 Note the hole positions on the back.



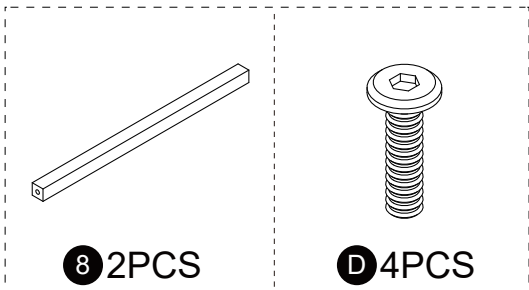
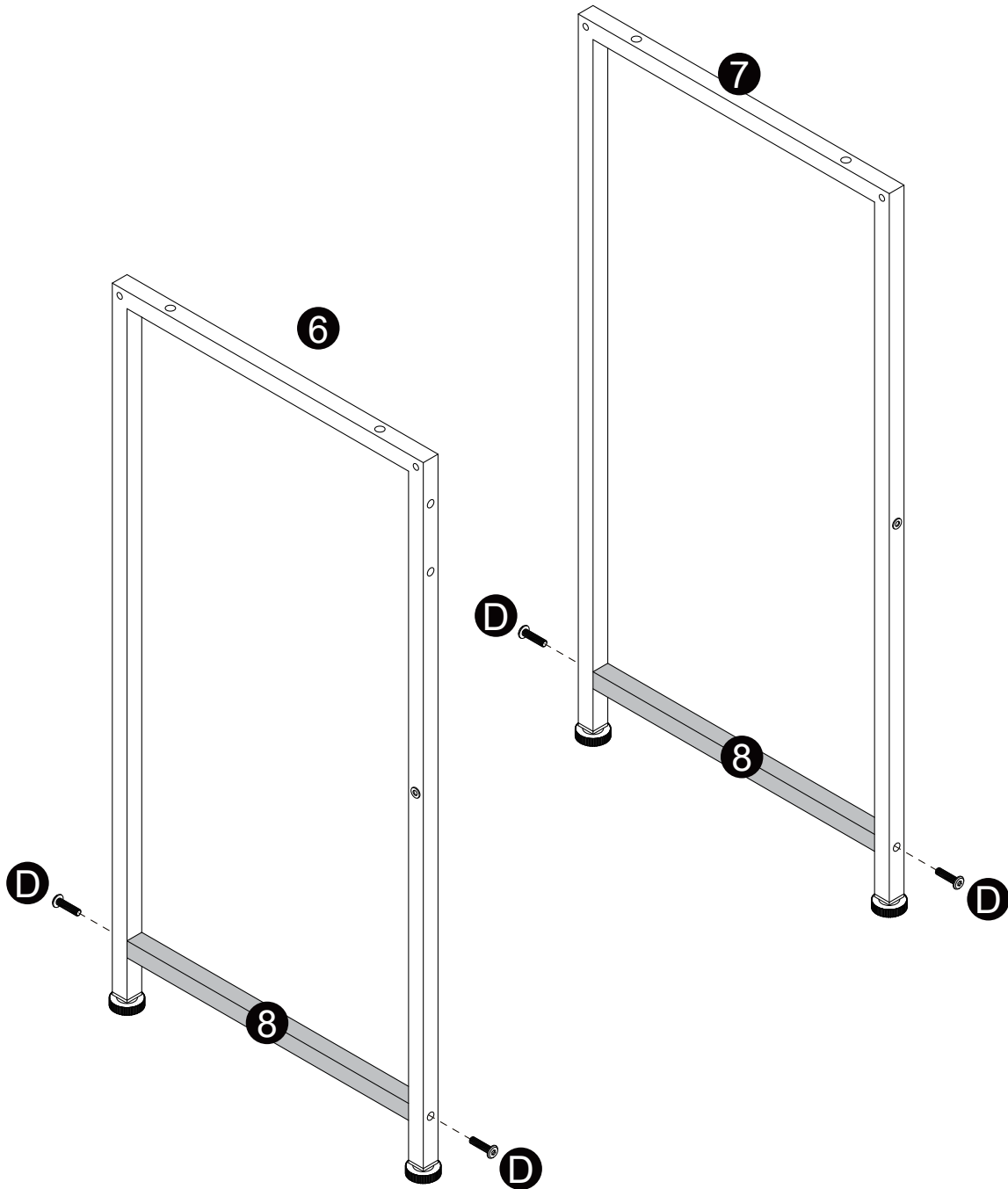
Assembly Instructions

Step3: Fix the tubes **5** between the frame **3** & **4** with screws **D**.



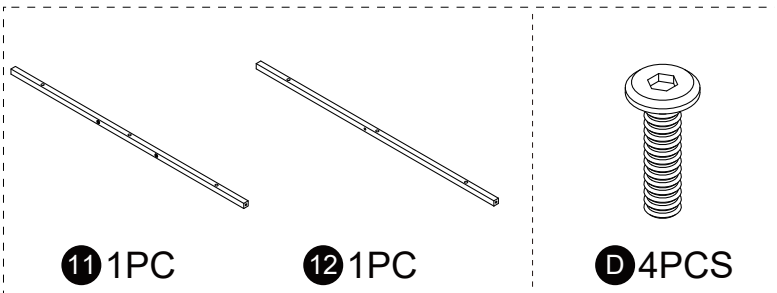
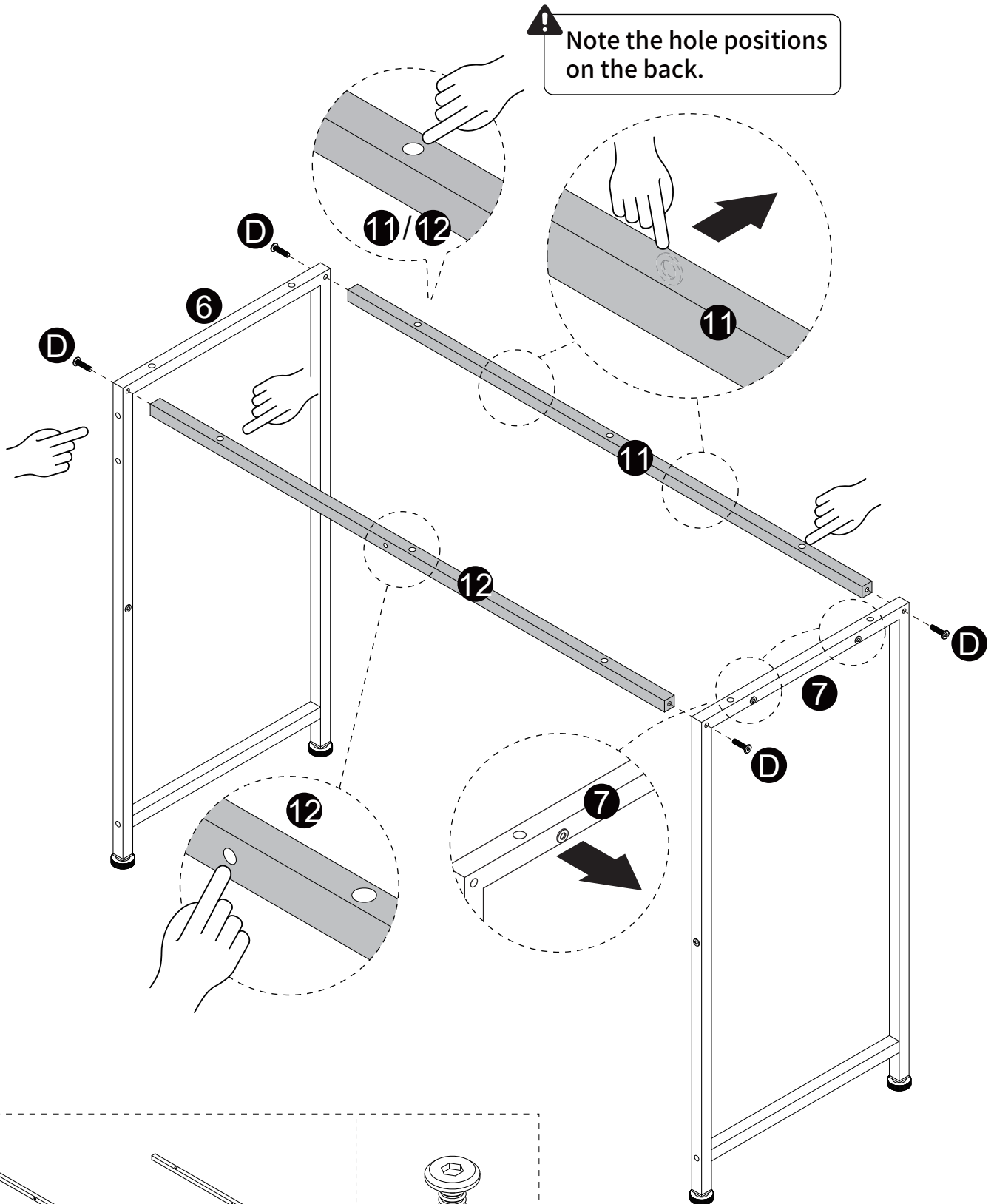
Assembly Instructions

Step4: Fix the tubes **8** between the frame **6** & **7** with screws **D**.



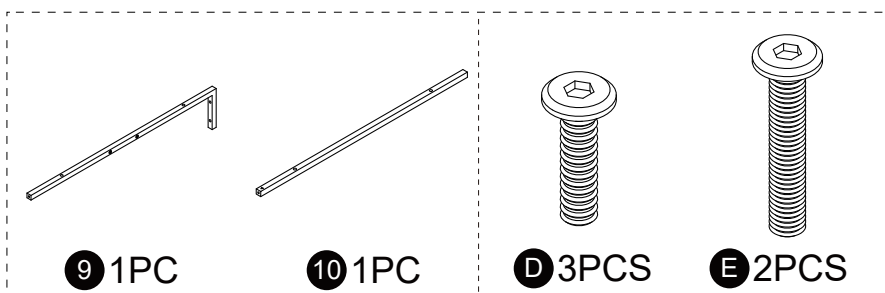
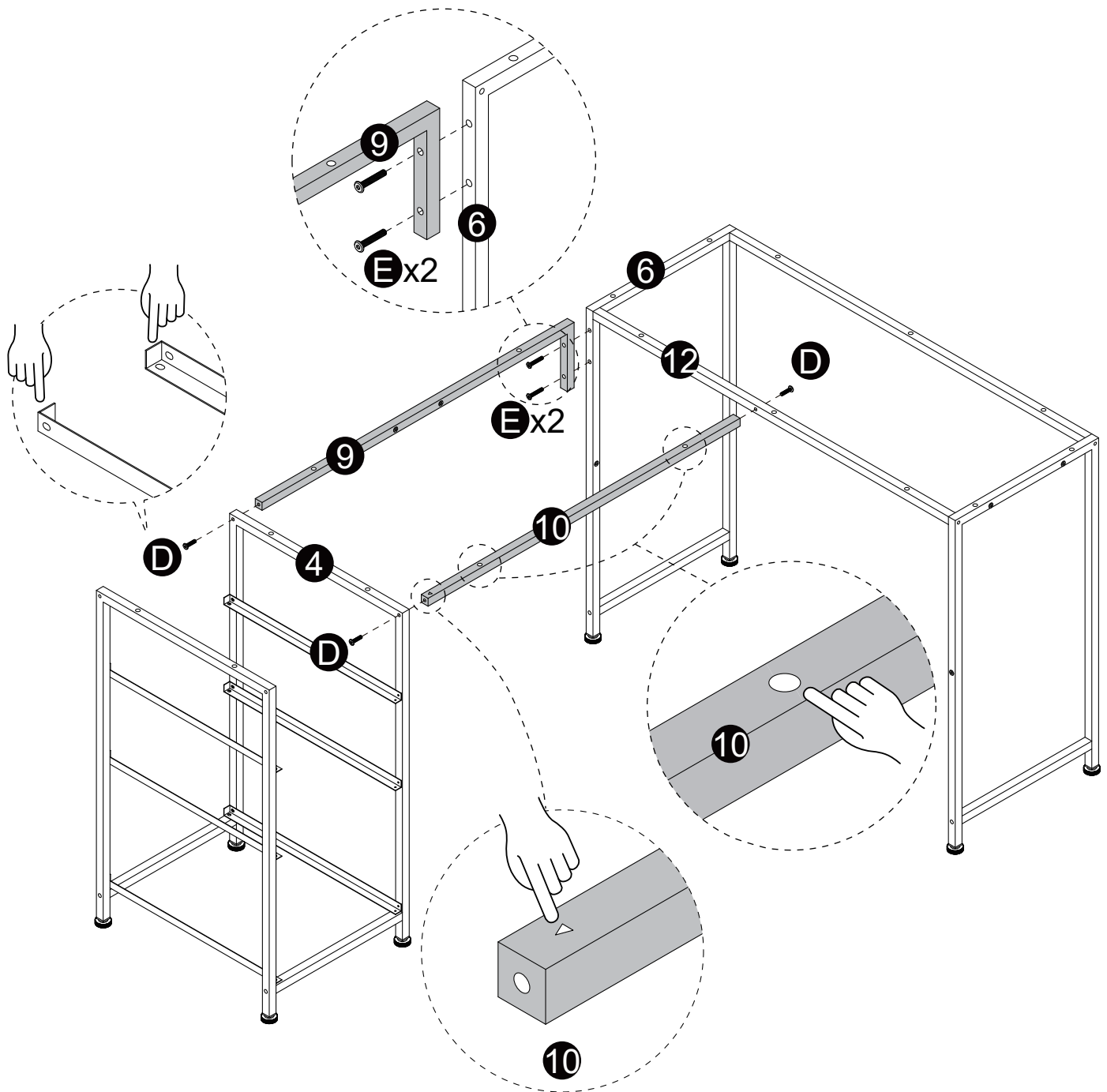
Assembly Instructions

Step5: Fix the tubes **11** & **12** between the frames **6** & **7** with screws **D**.



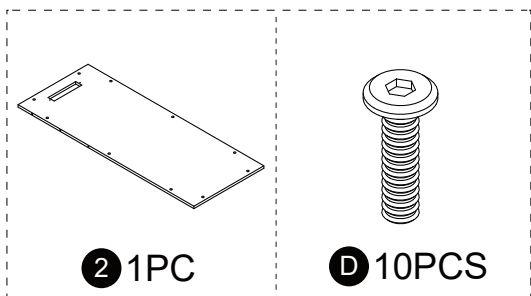
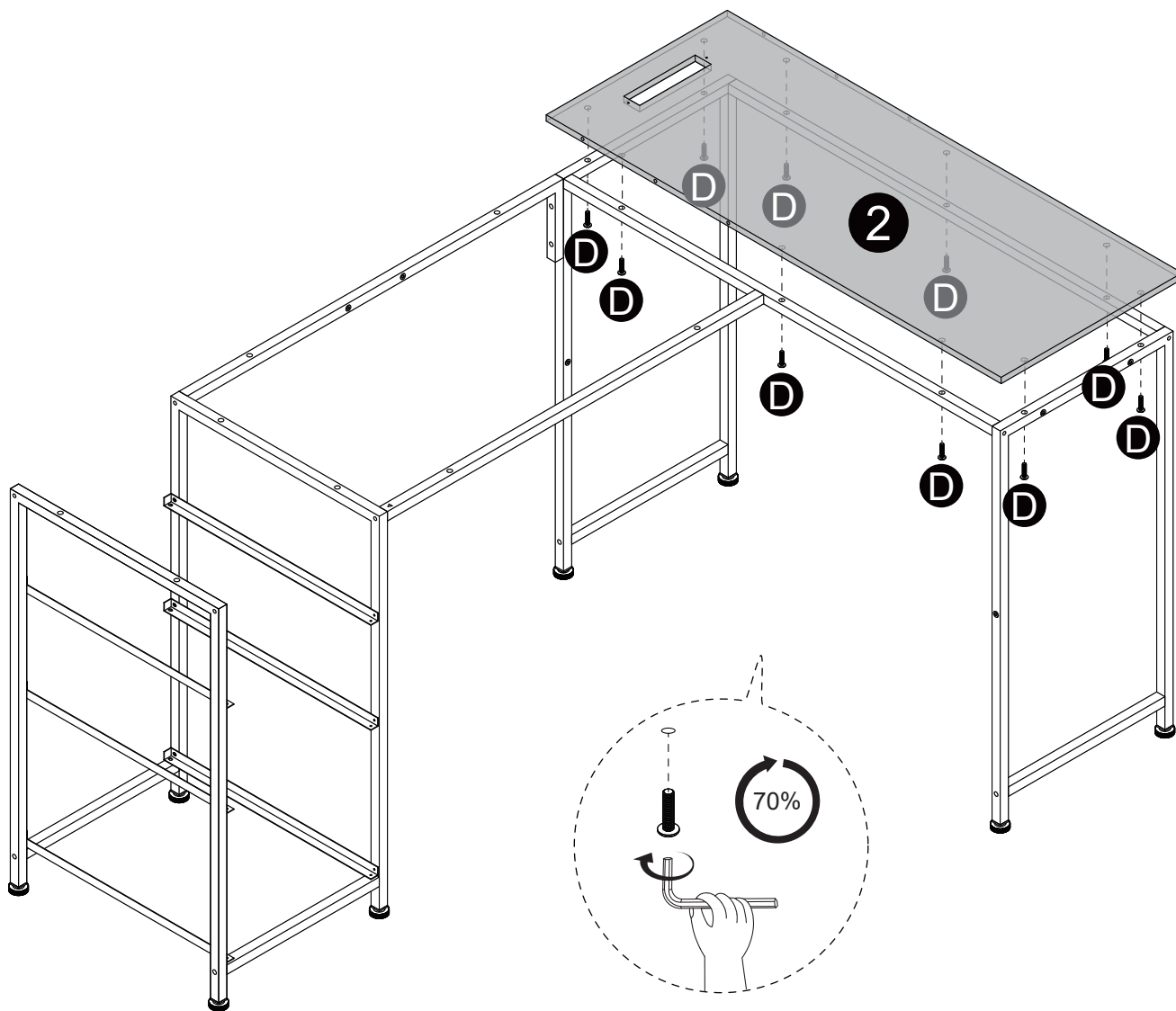
Assembly Instructions

Step 6: Fix the tubes **9** & **10** between the frames **12** & **4** with screws **D** and **E**.



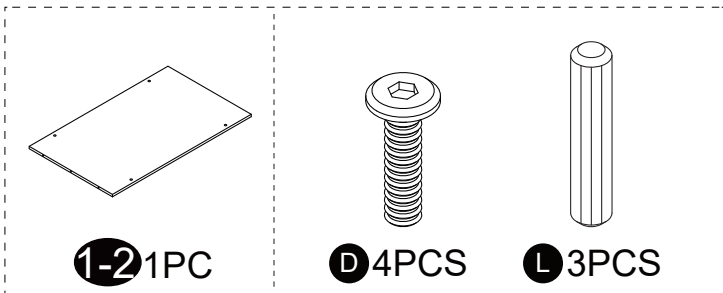
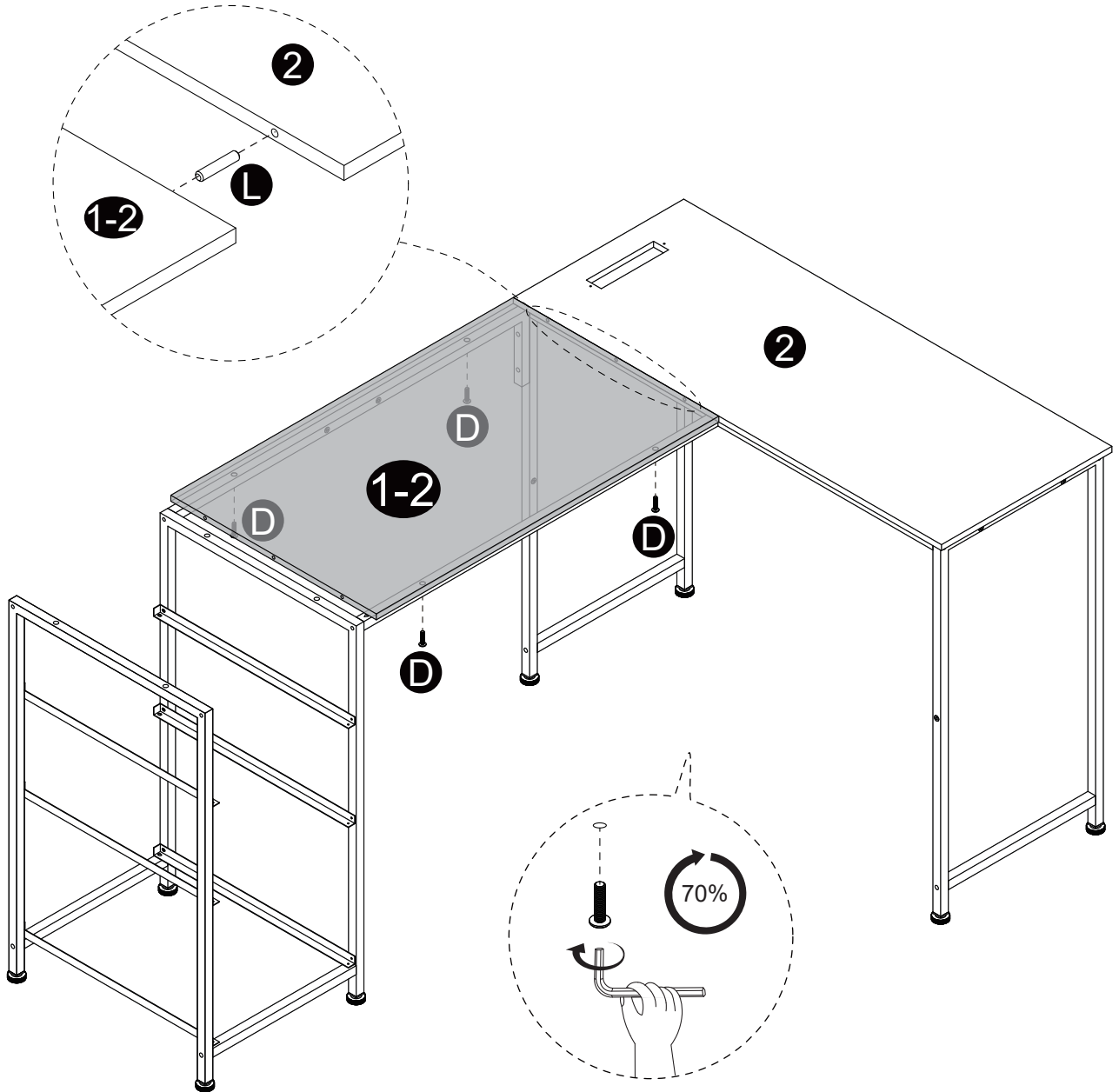
Assembly Instructions

Step 7: Fix the board **2** to the frame with screw **D**, please do not tighten the screws **D**.



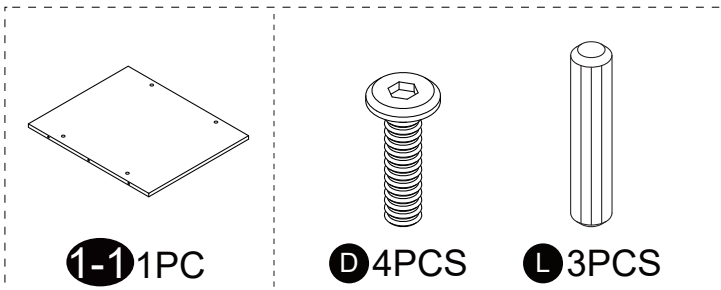
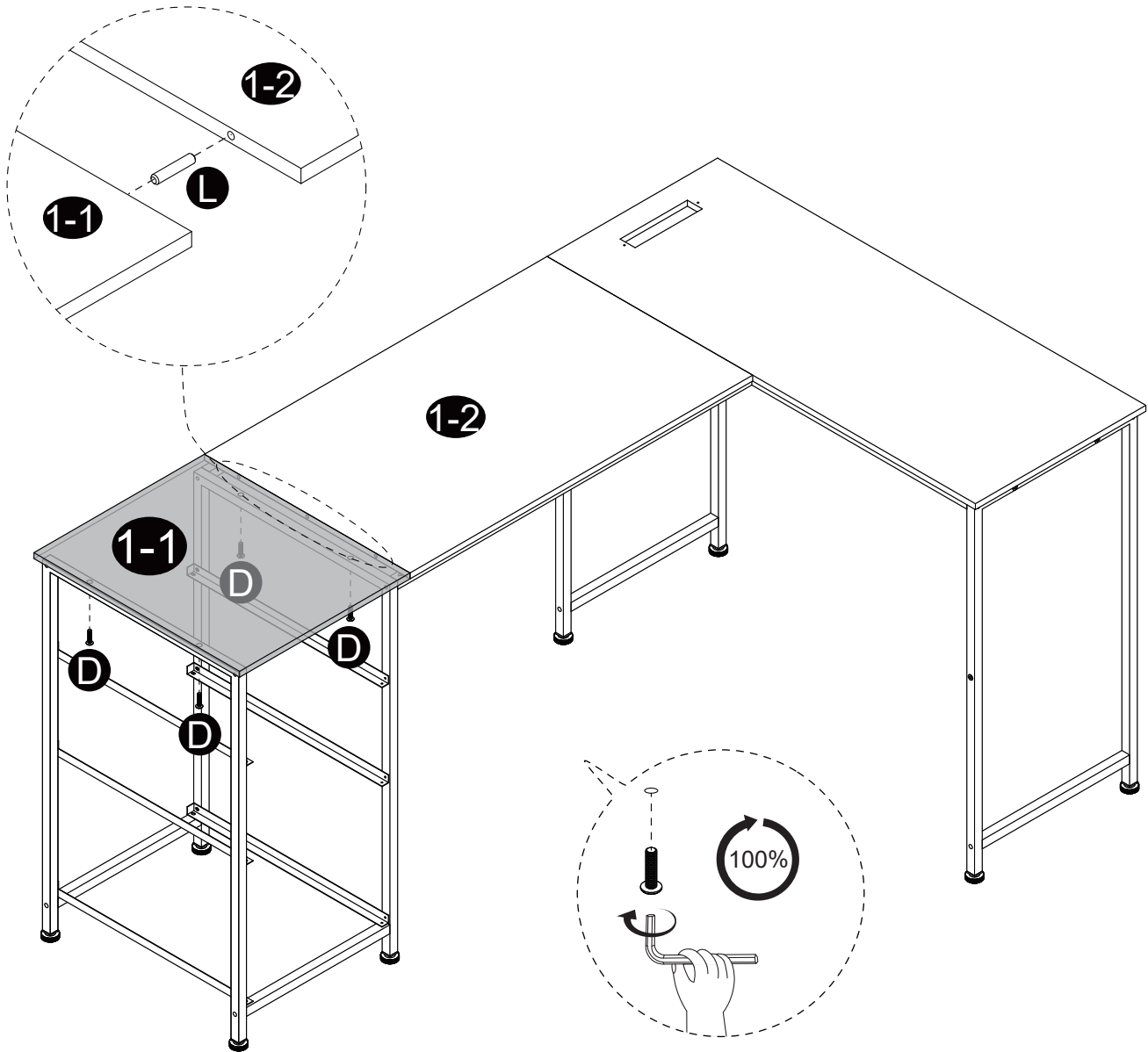
Assembly Instructions

Step8: Snap wooden pin **L** to connect board **1-2** & **2**, fix board **1-2** to frame with screws **D**.



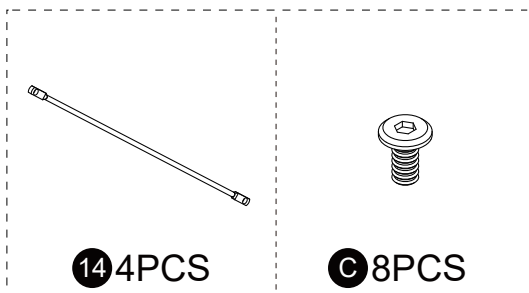
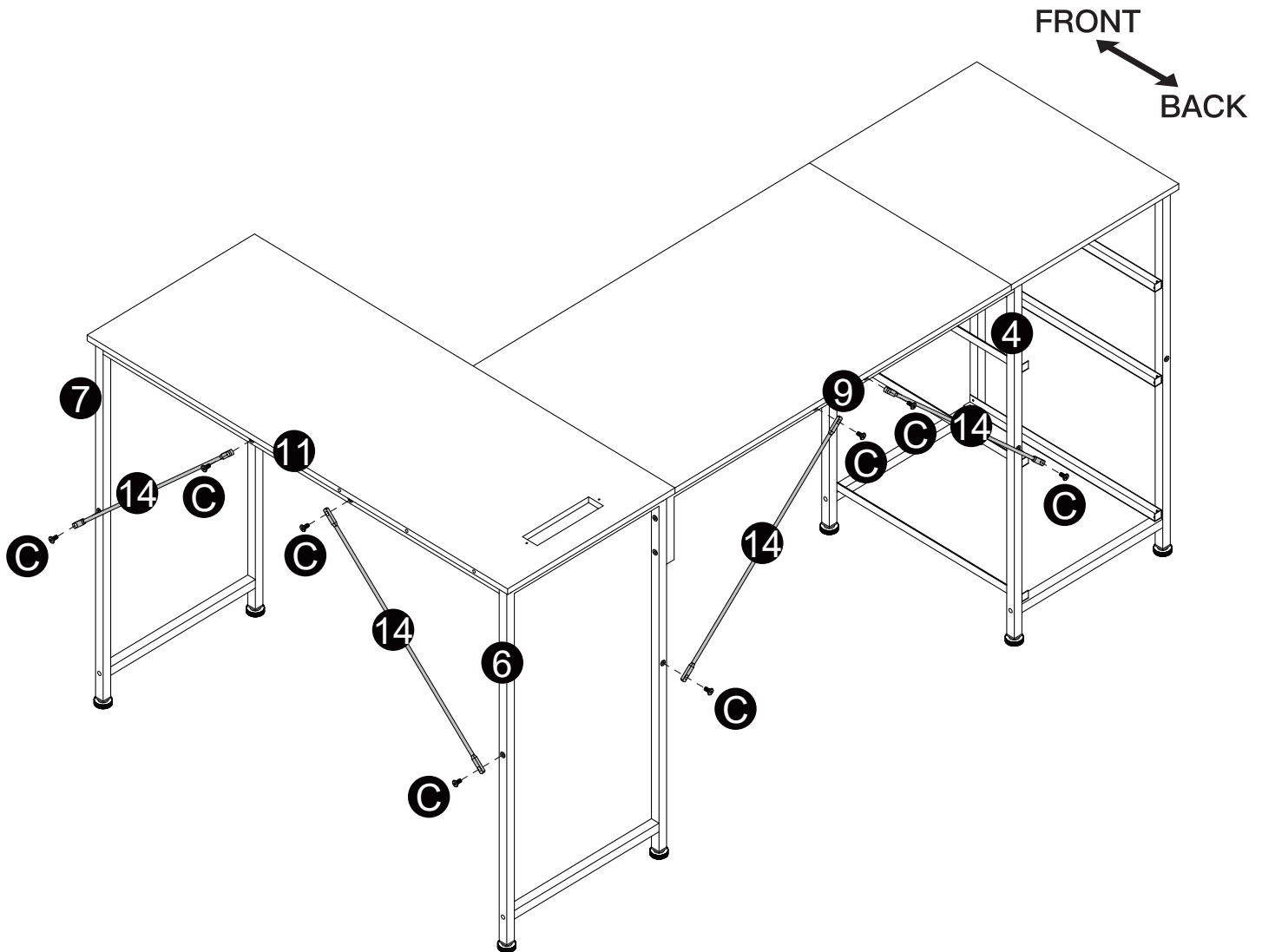
Assembly Instructions

Step9: Snap wooden pin **L** to connect board **1-1** & **1-2**, fix board **1-1** to frame with screws **D**.
(After aligning the boards, tighten screw **D**)



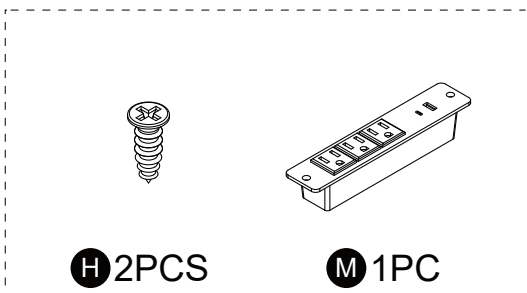
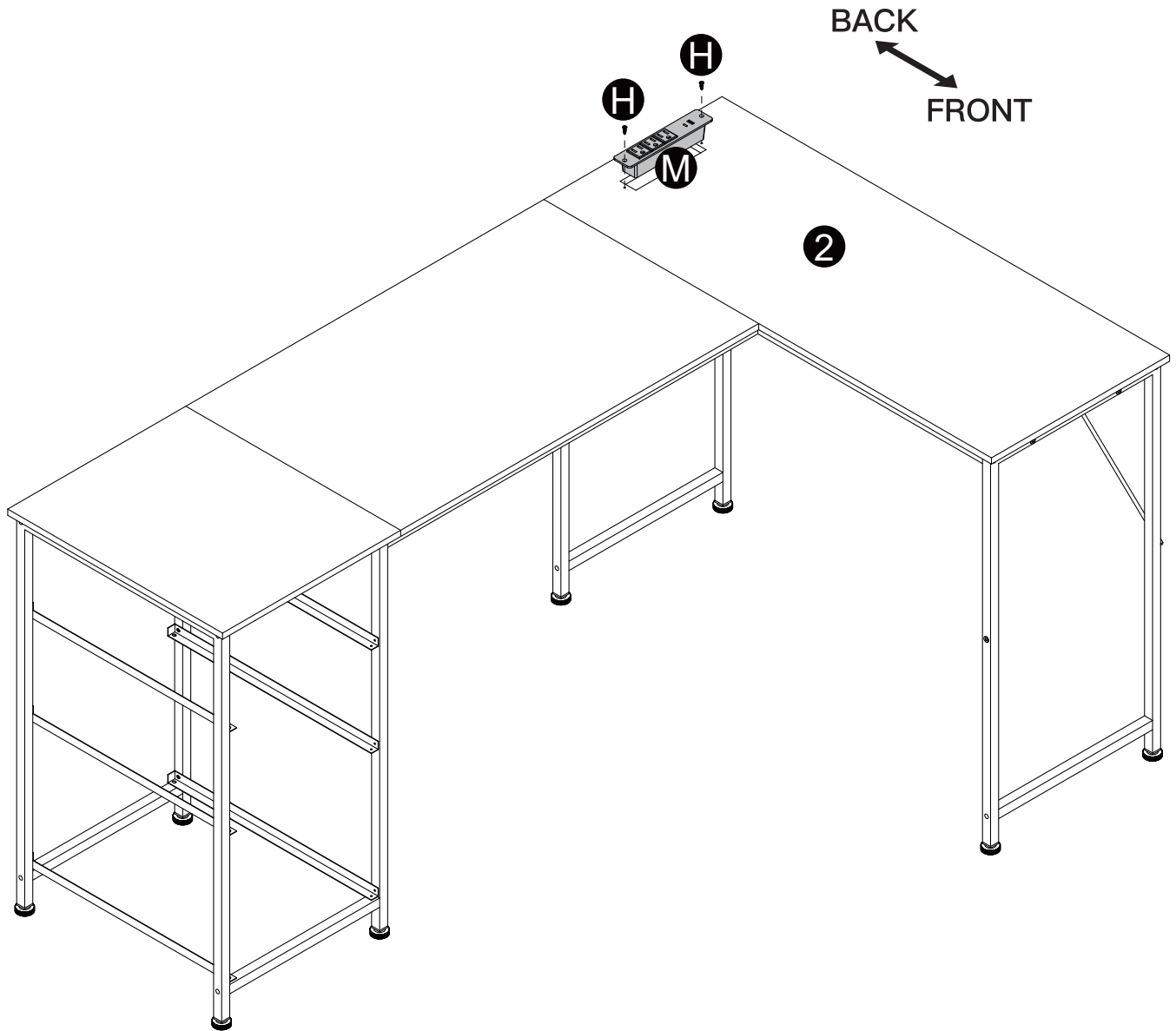
Assembly Instructions

Step 10: Fix metal bar 14 to the frame with screws C.



Assembly Instructions

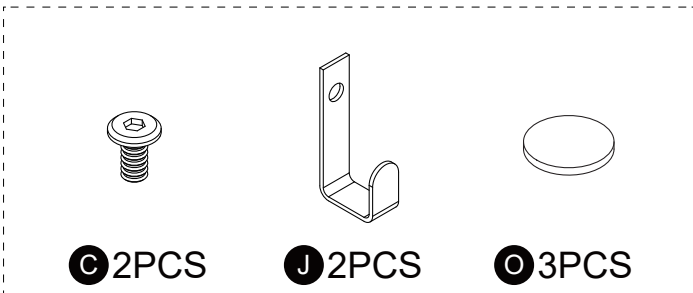
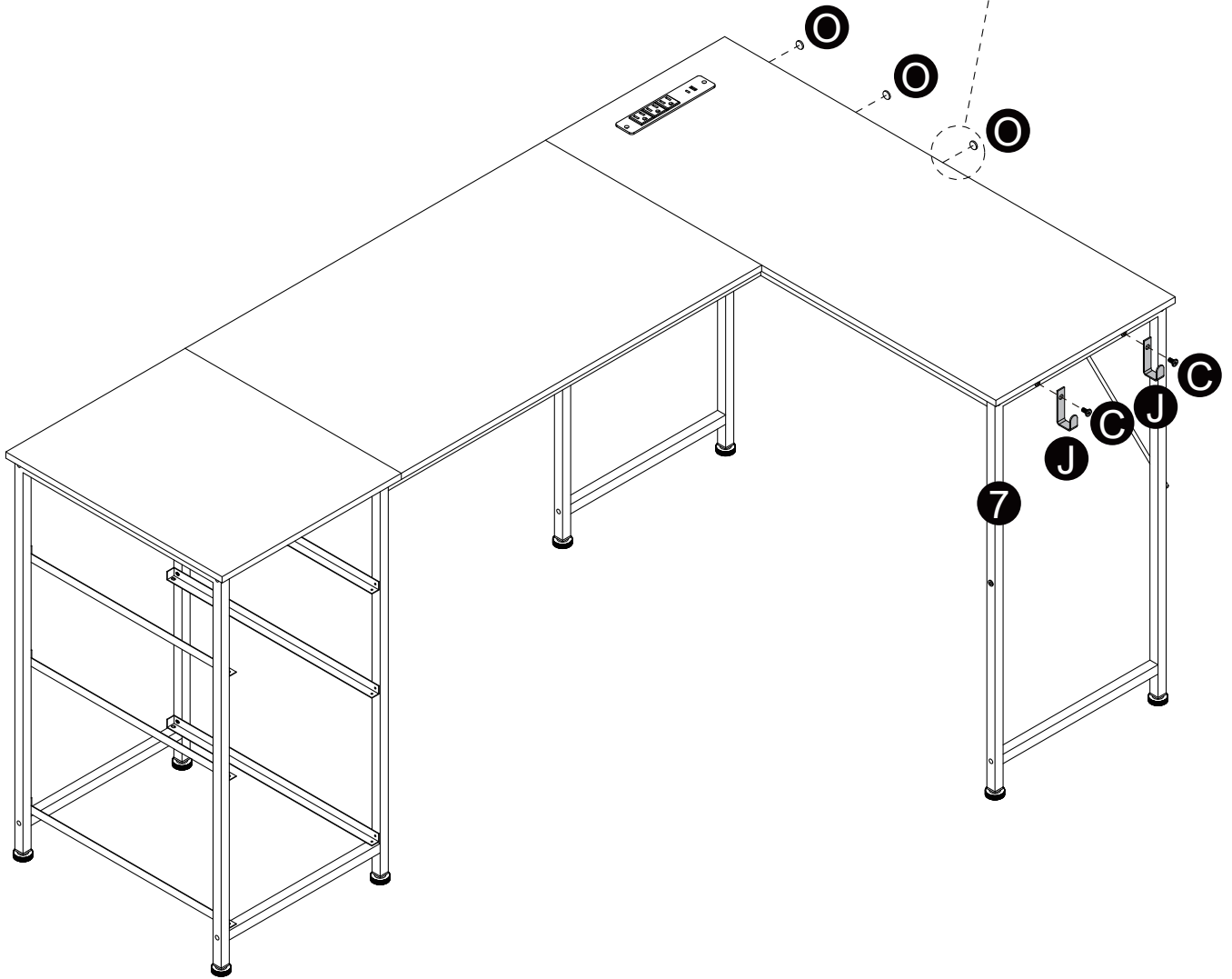
Step 11: Fix power outlet **M** to board **2** with screws **H**.



Assembly Instructions

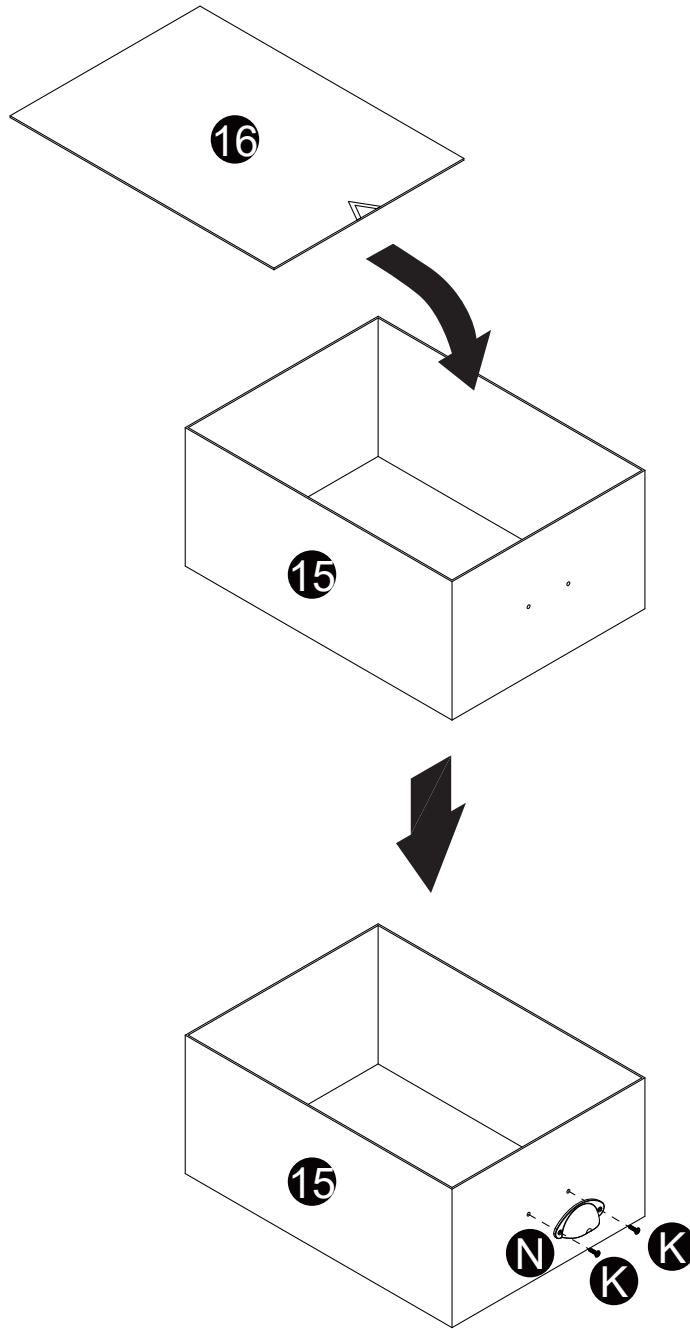
Step 12: Install hook **J** on the frame **7** with screws **C**; Cover the hole with **O** according to your needs.

Some holes are not required for installation. If you do not want the holes to be exposed, you can stick on hole stickers.

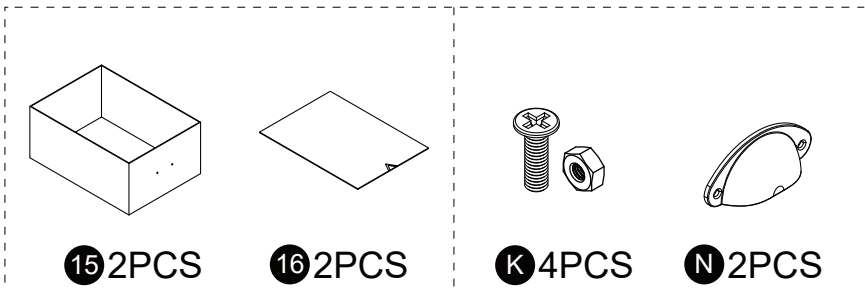


Assembly Instructions

Step 13: Assemble the drawers.

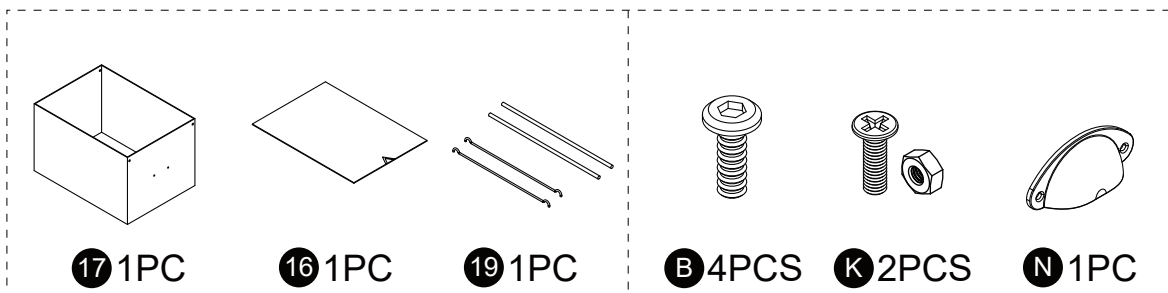
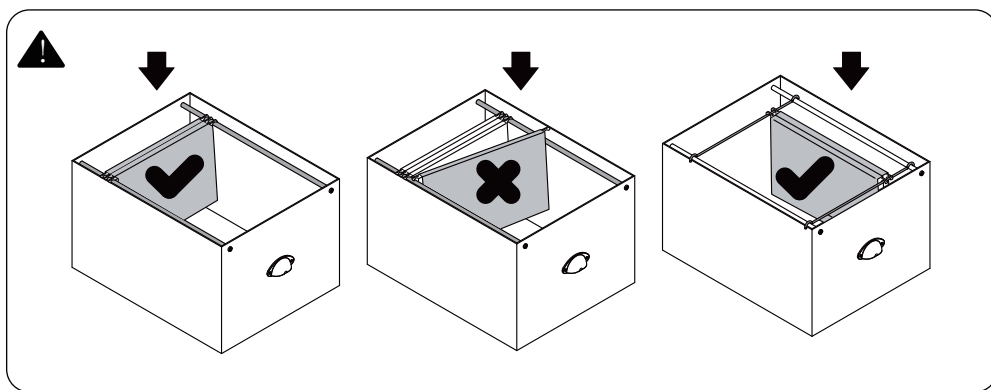
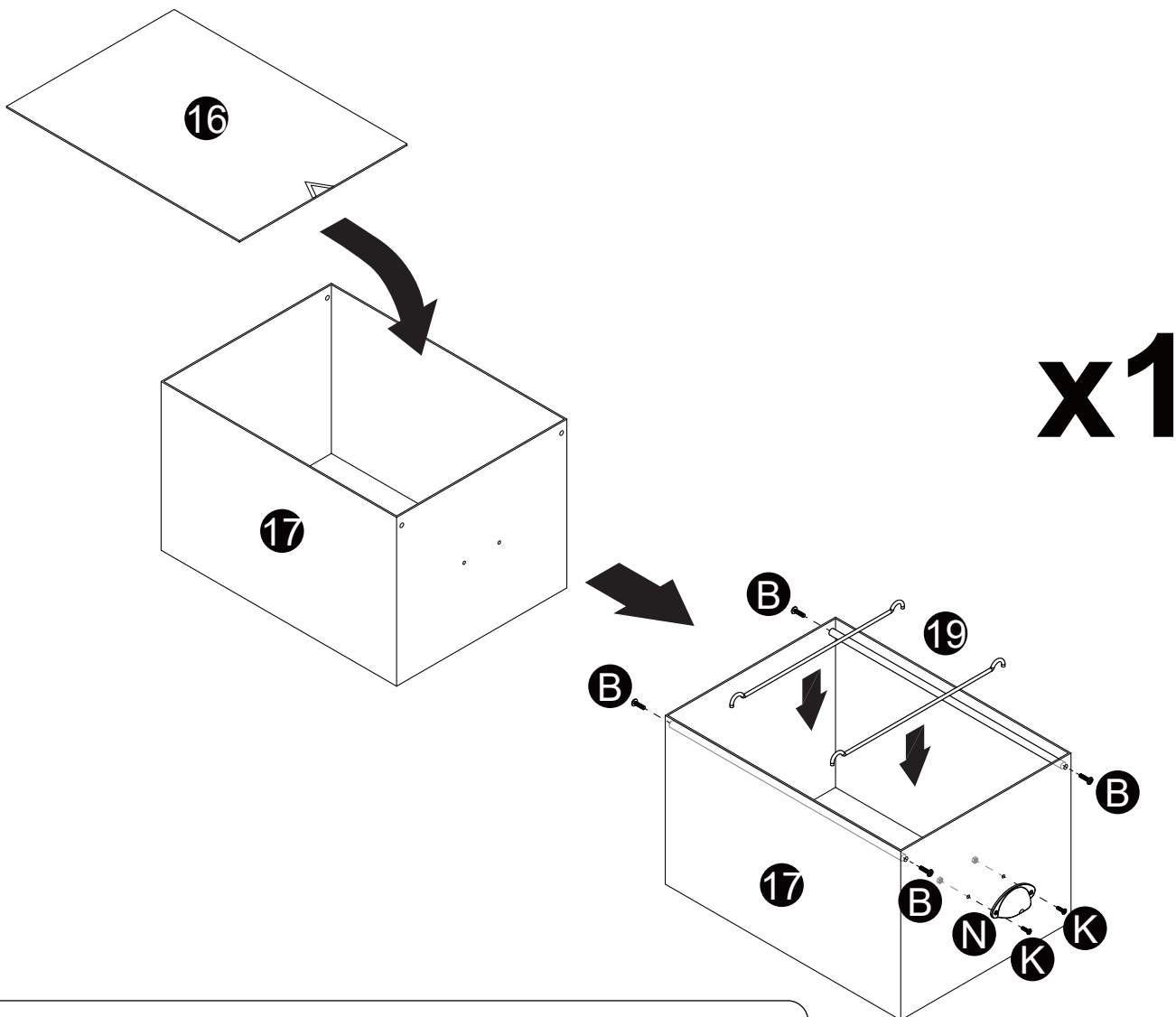


x2



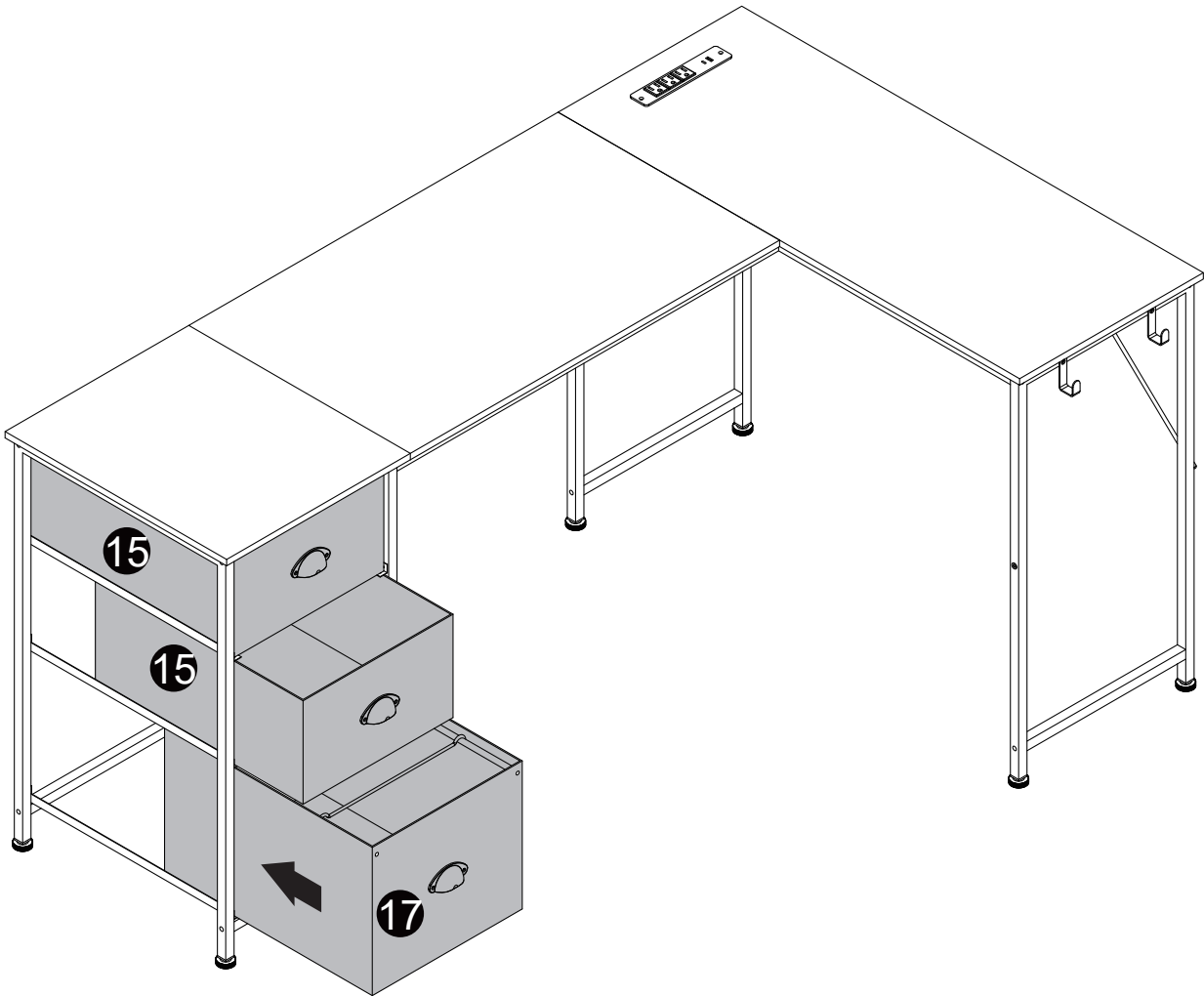
Assembly Instructions

Step14: Assemble the accessories of file cabinet.

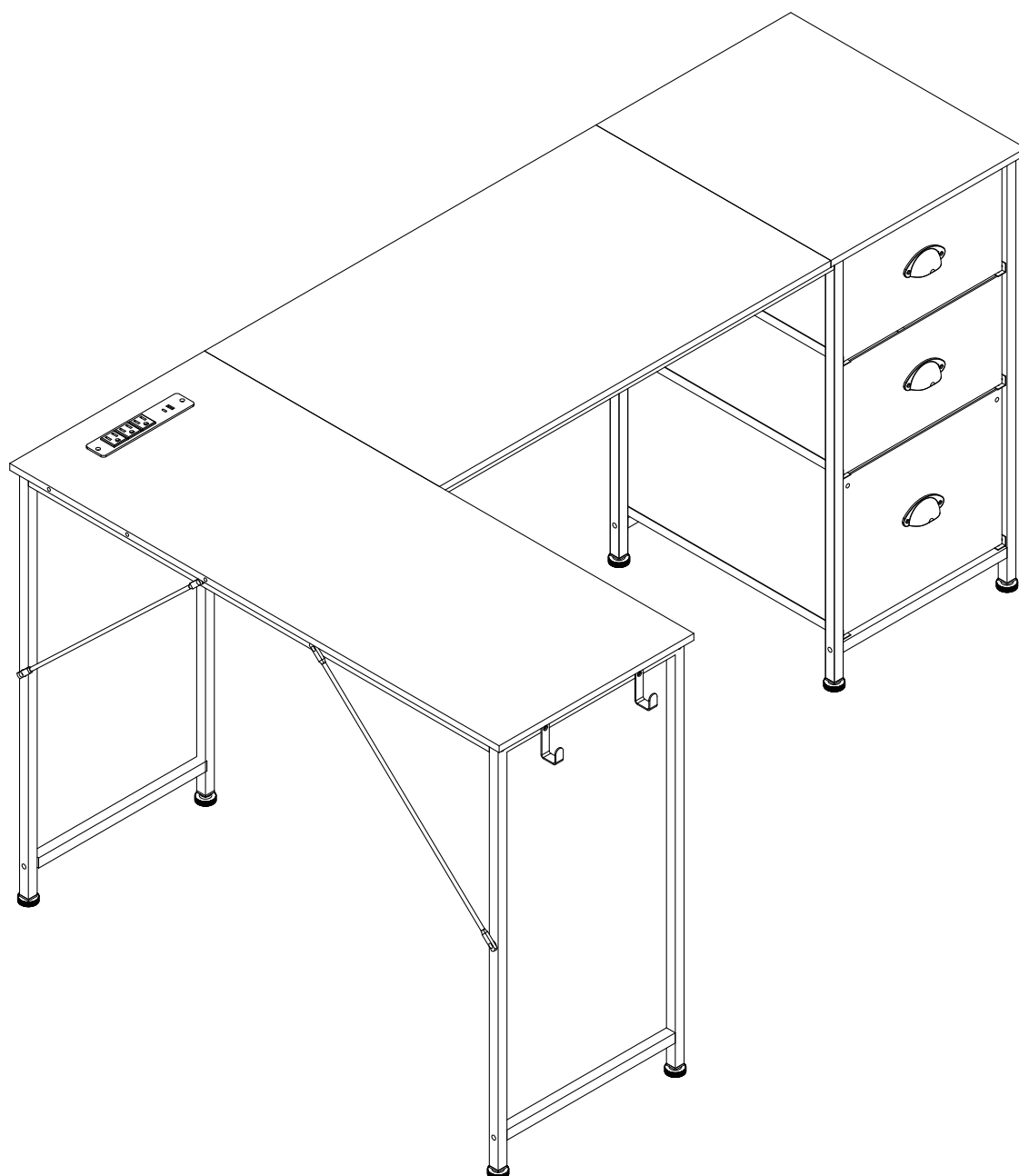


Assembly Instructions

Step 15: Put in the drawers.

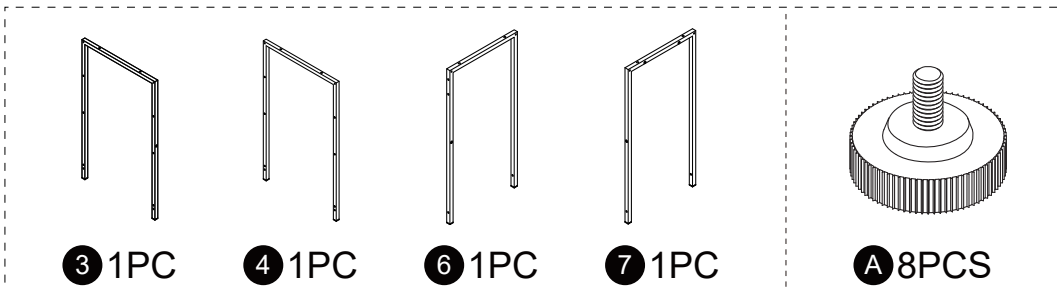
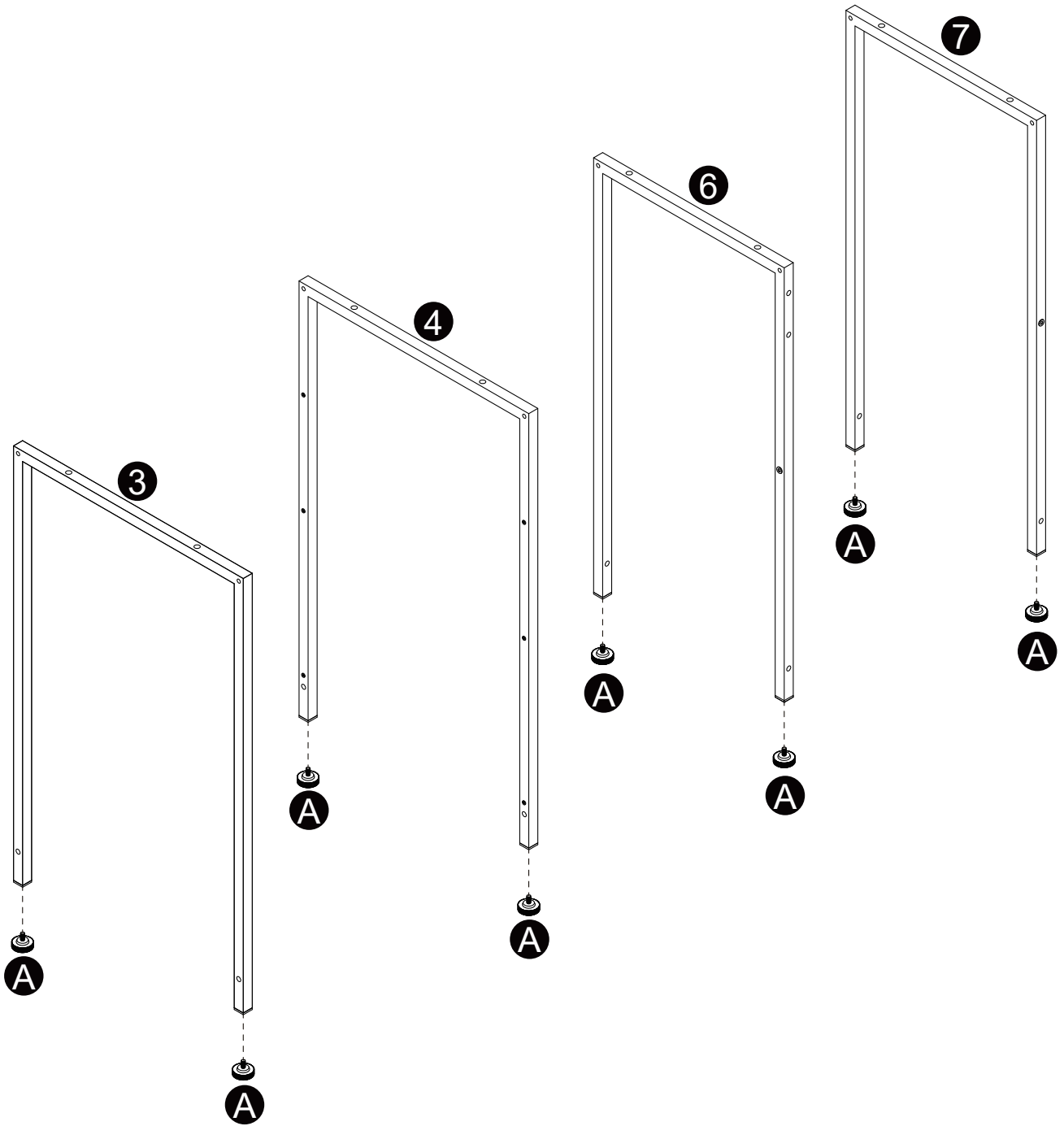


File Drawer on the Right




Assembly Instructions

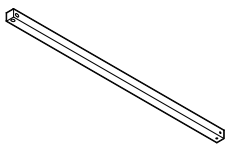
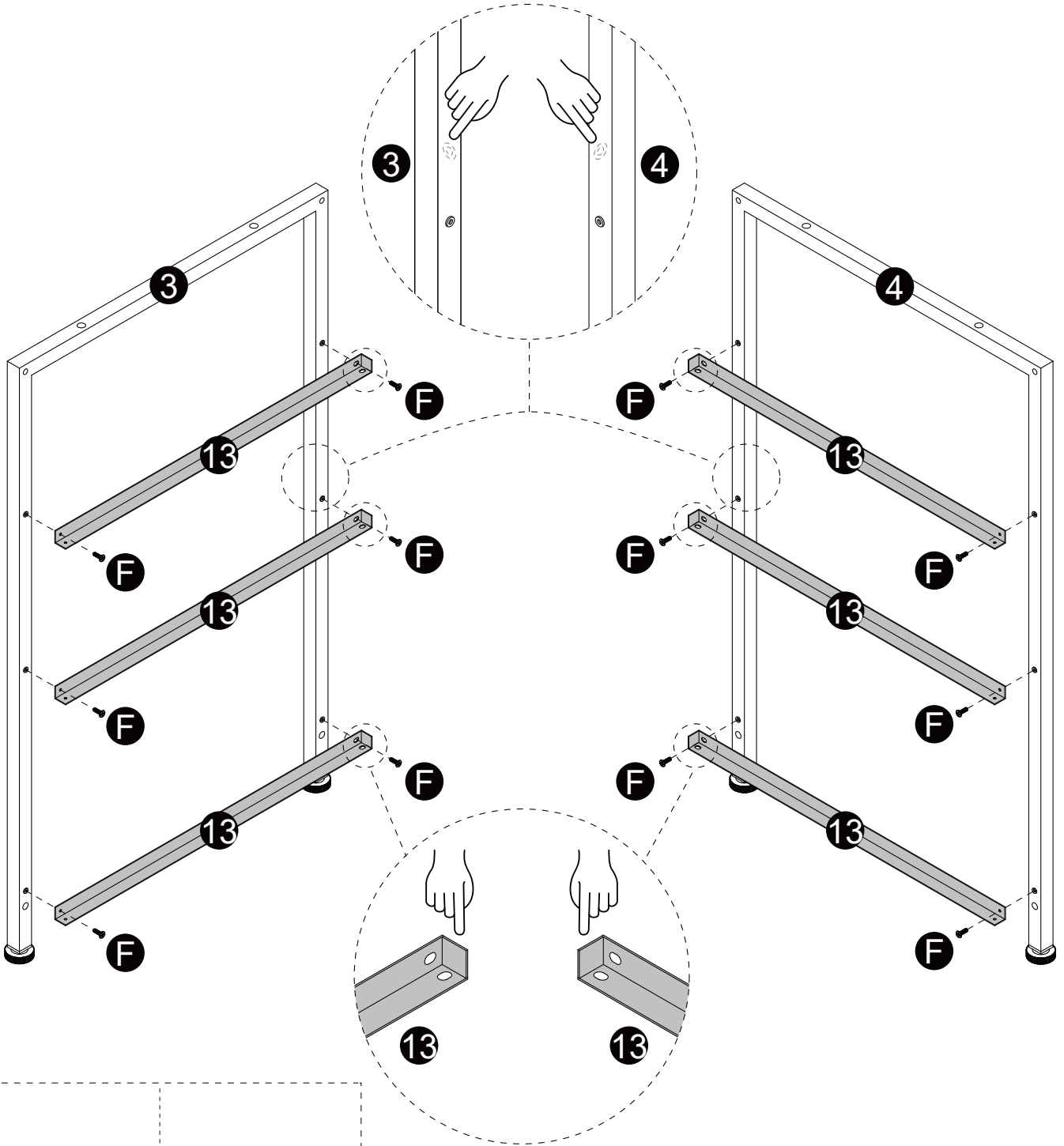
Step1: Screw in the adjustable feet **A**.



Assembly Instructions

Step2: Fix the drawer slides **13** on the frame **3** & **4** with screws **F**.

 Note the hole positions on the back.



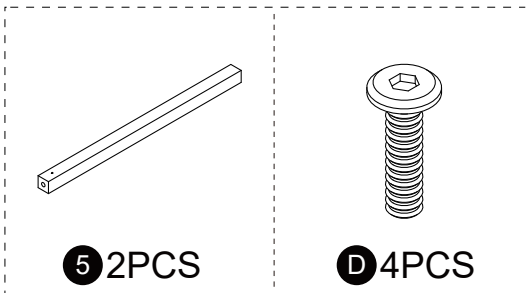
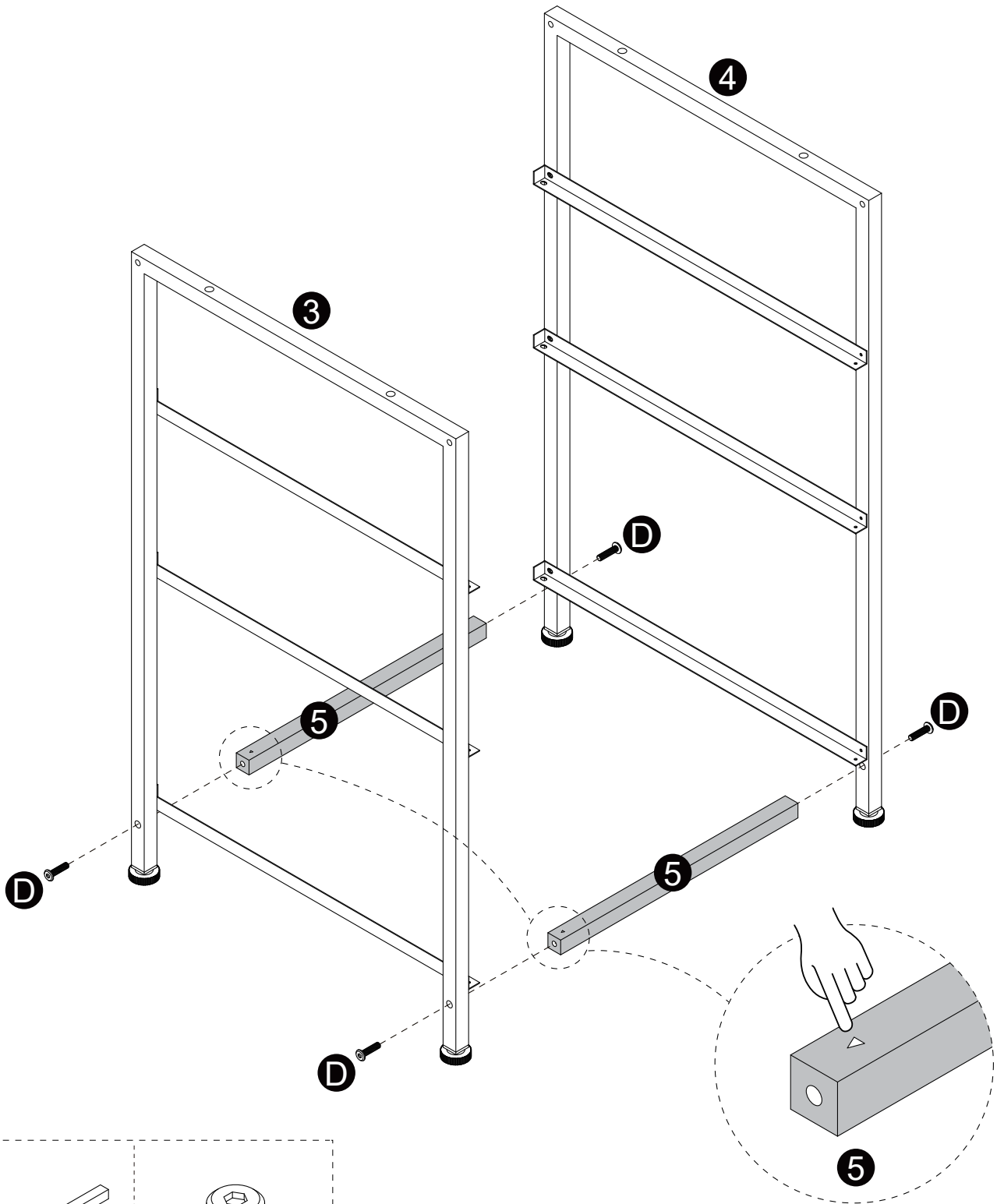
13 6PCS



F 12PCS

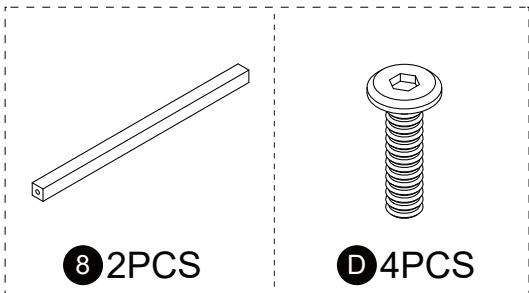
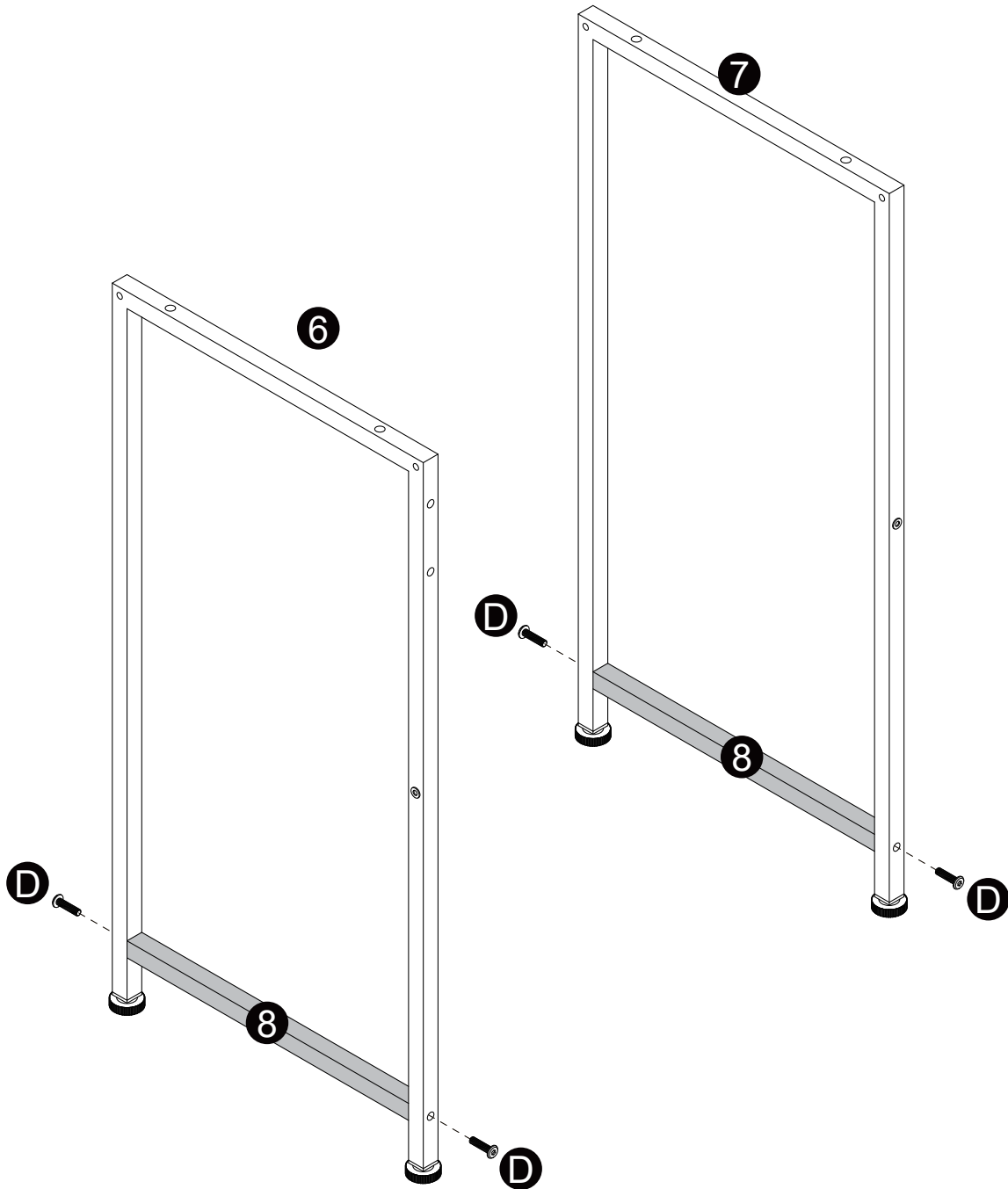
Assembly Instructions

Step3: Fix the tubes **5** between the frame **3** & **4** with screws **D**.



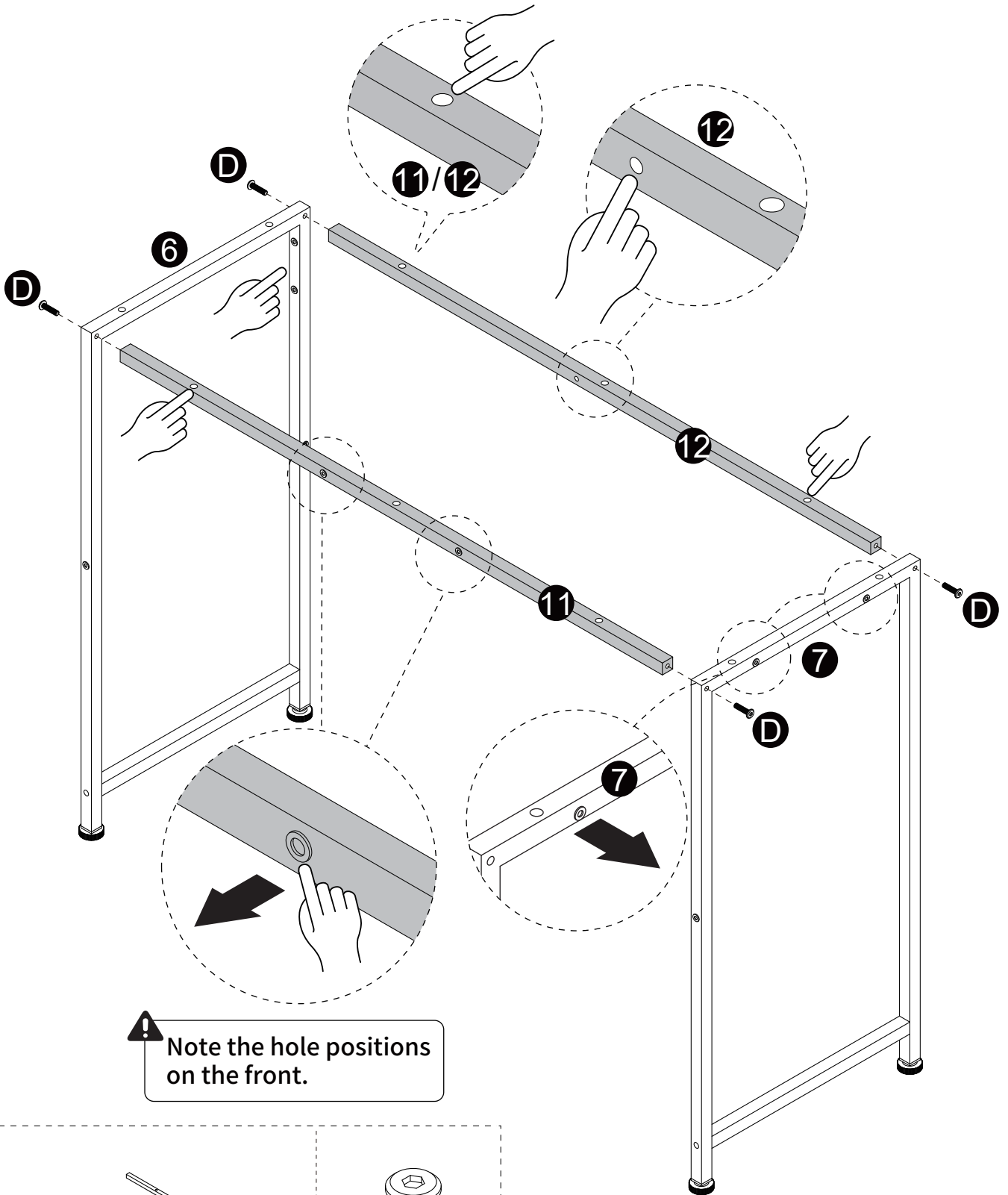
Assembly Instructions

Step4: Fix the tubes **8** between the frame **6** & **7** with screws **D**.

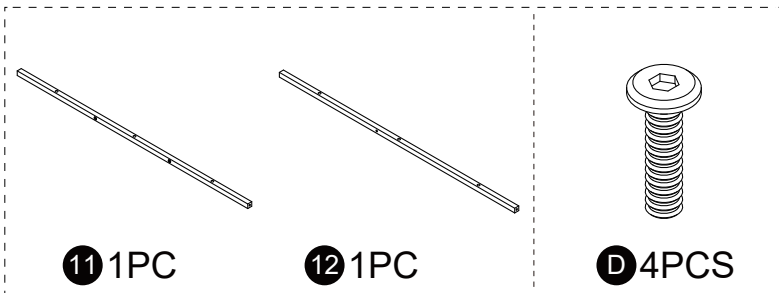


Assembly Instructions

Step5: Fix the tubes **11** & **12** between the frames **6** & **7** with screws **D**.

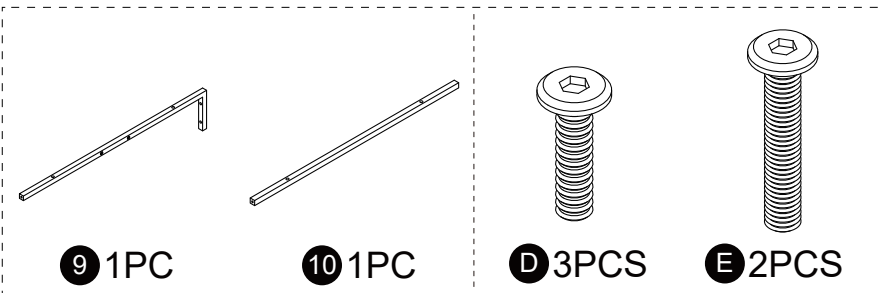
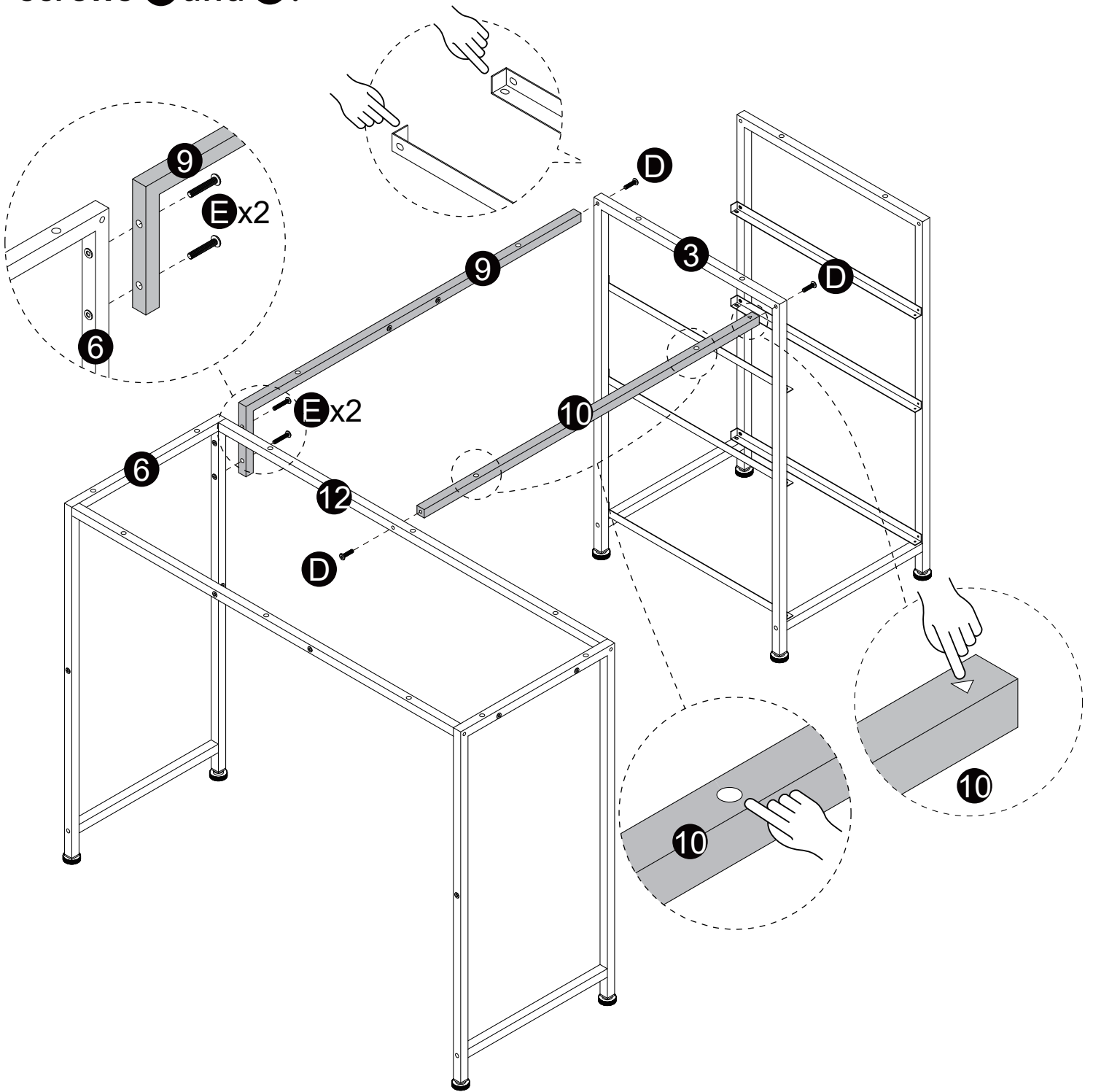


! Note the hole positions on the front.



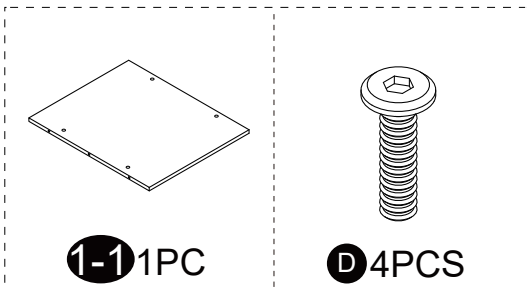
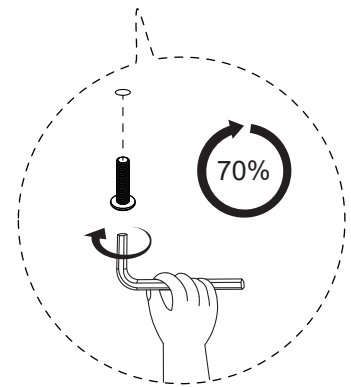
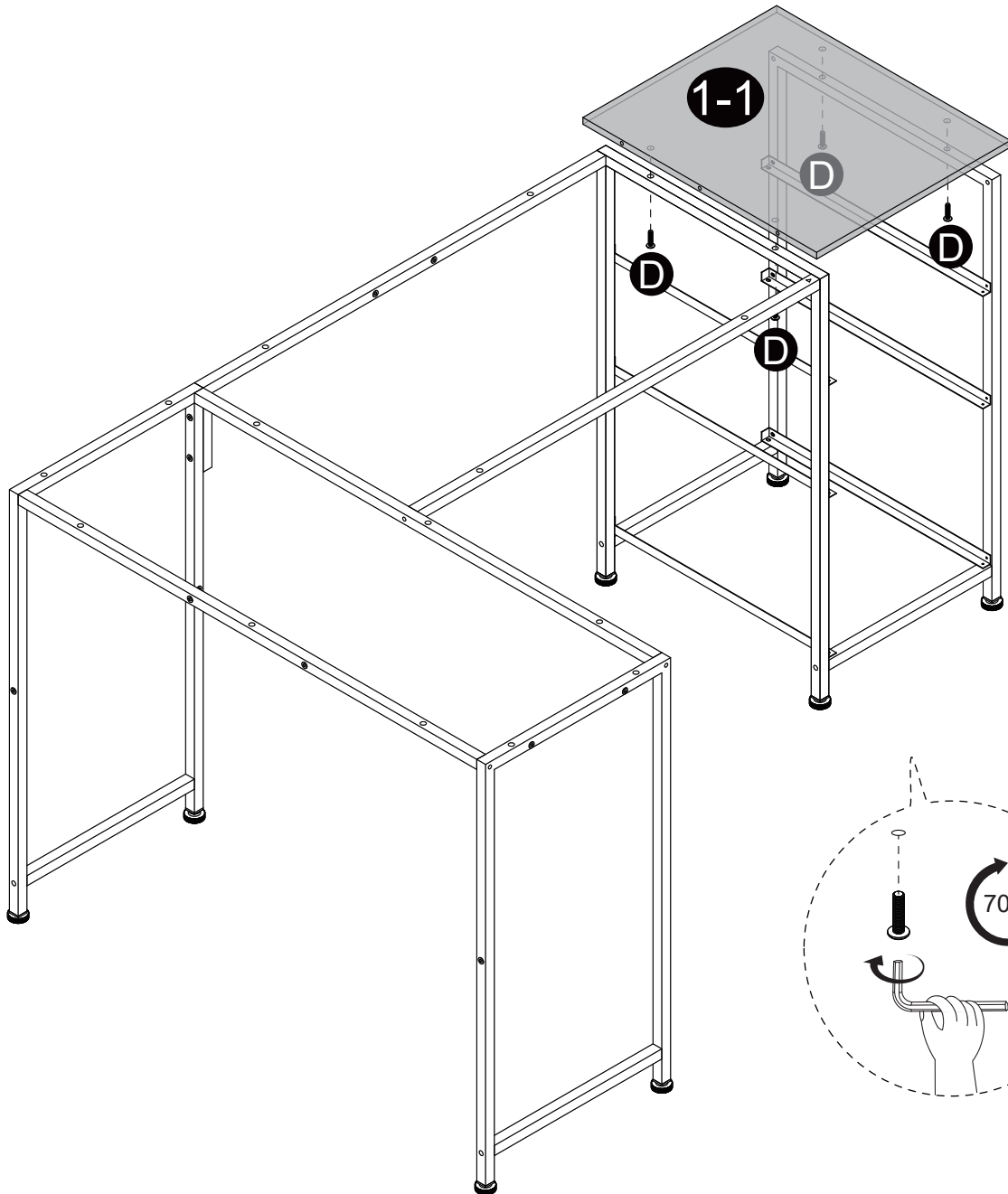
Assembly Instructions

Step6: Fix the tubes **9** & **10** between the frames **12** & **3** with screws **D** and **E**.



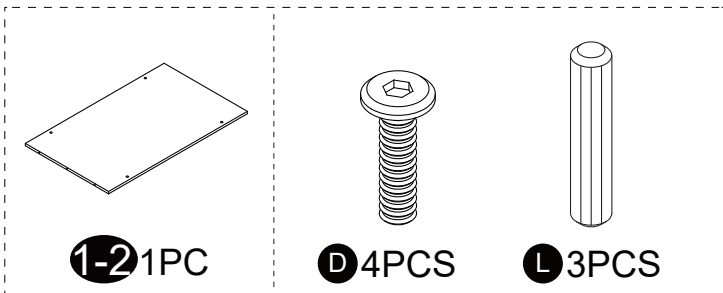
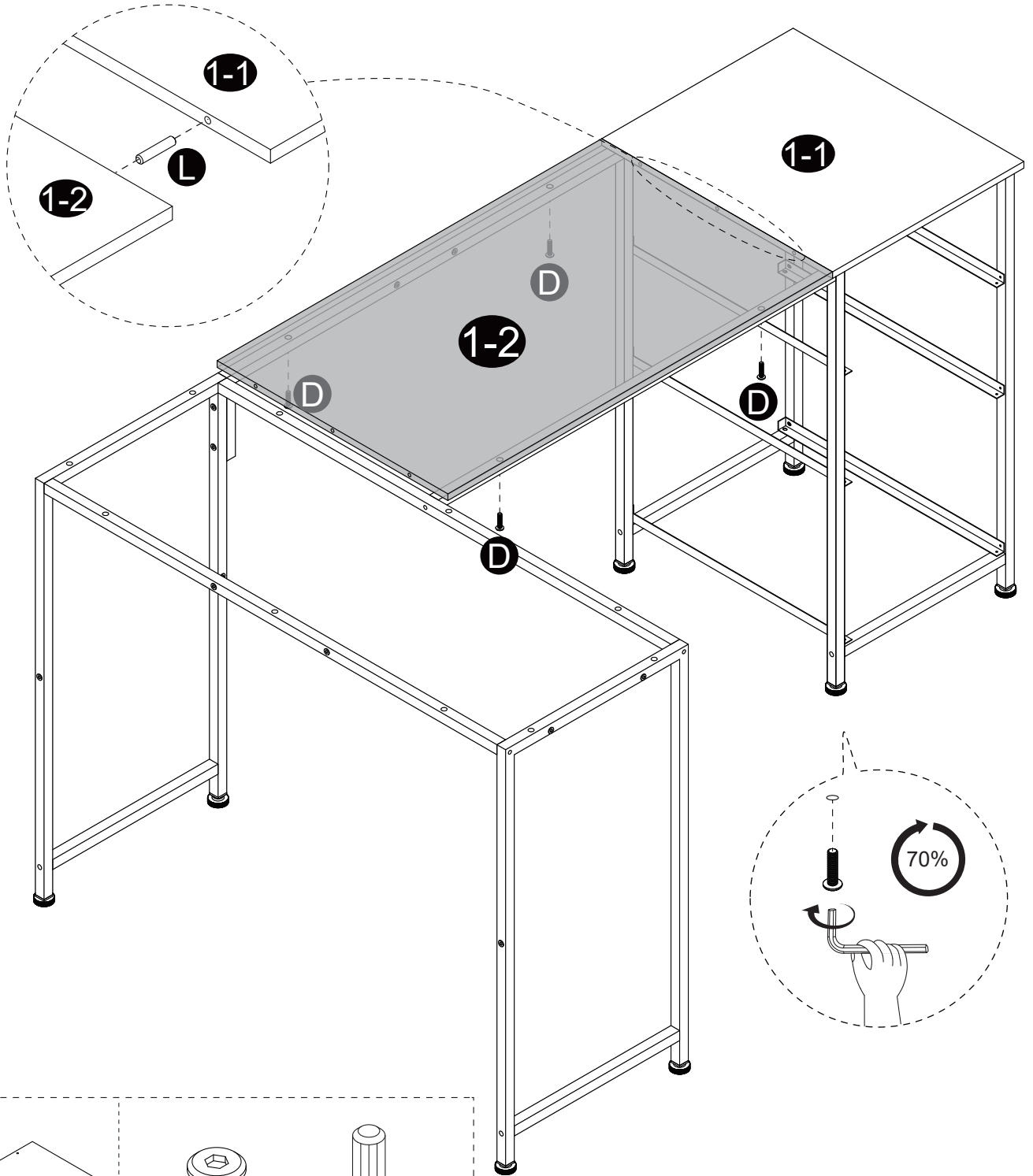
Assembly Instructions

Step 7: Fix the board **1-1** to the frame with screw **D**, please do not tighten the screws **D**.



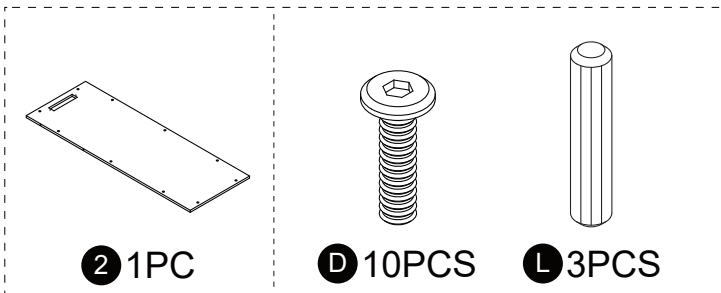
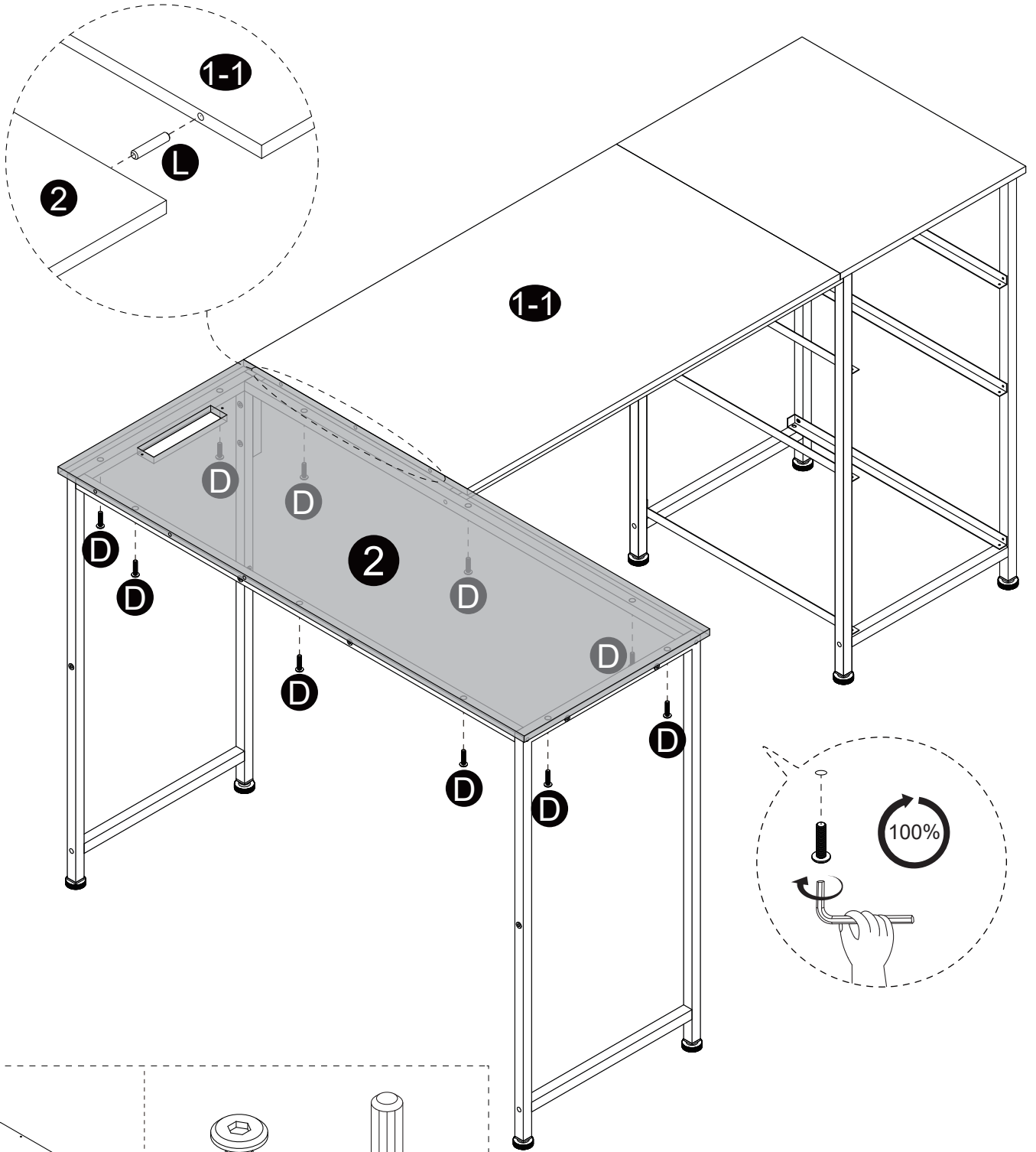
Assembly Instructions

Step8: Snap wooden pin **L** to connect board **1-2** & **1-1**, fix board **1-2** to frame with screws **D**.



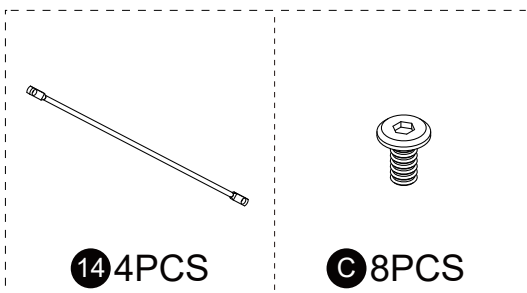
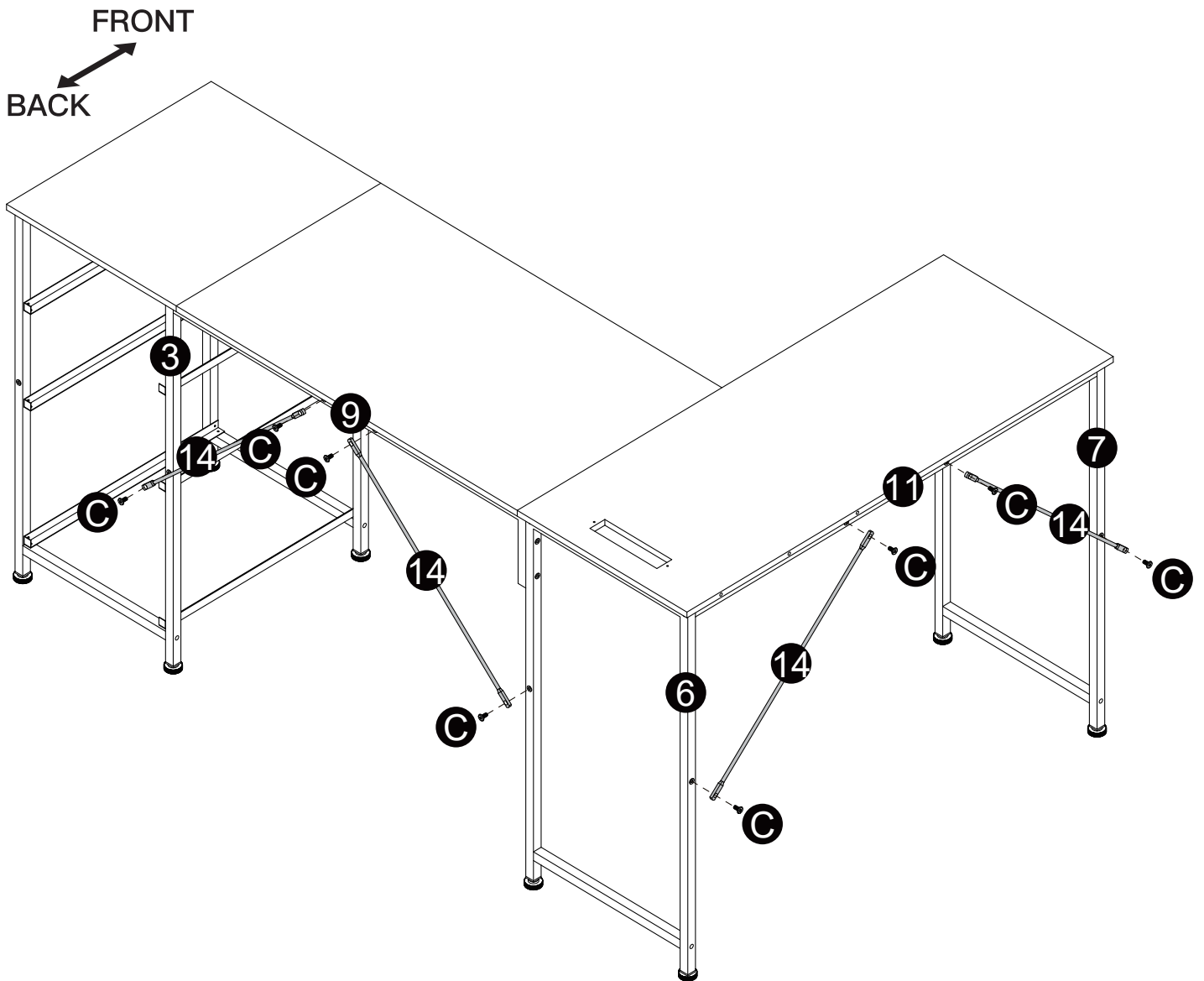
Assembly Instructions

Step9: Snap wooden pin **L** to connect board **2** & **1-1** , fix board **2** to frame with screws **D** .
(After aligning the boards, tighten screw **D**)



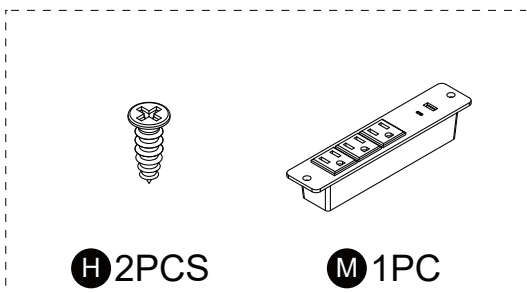
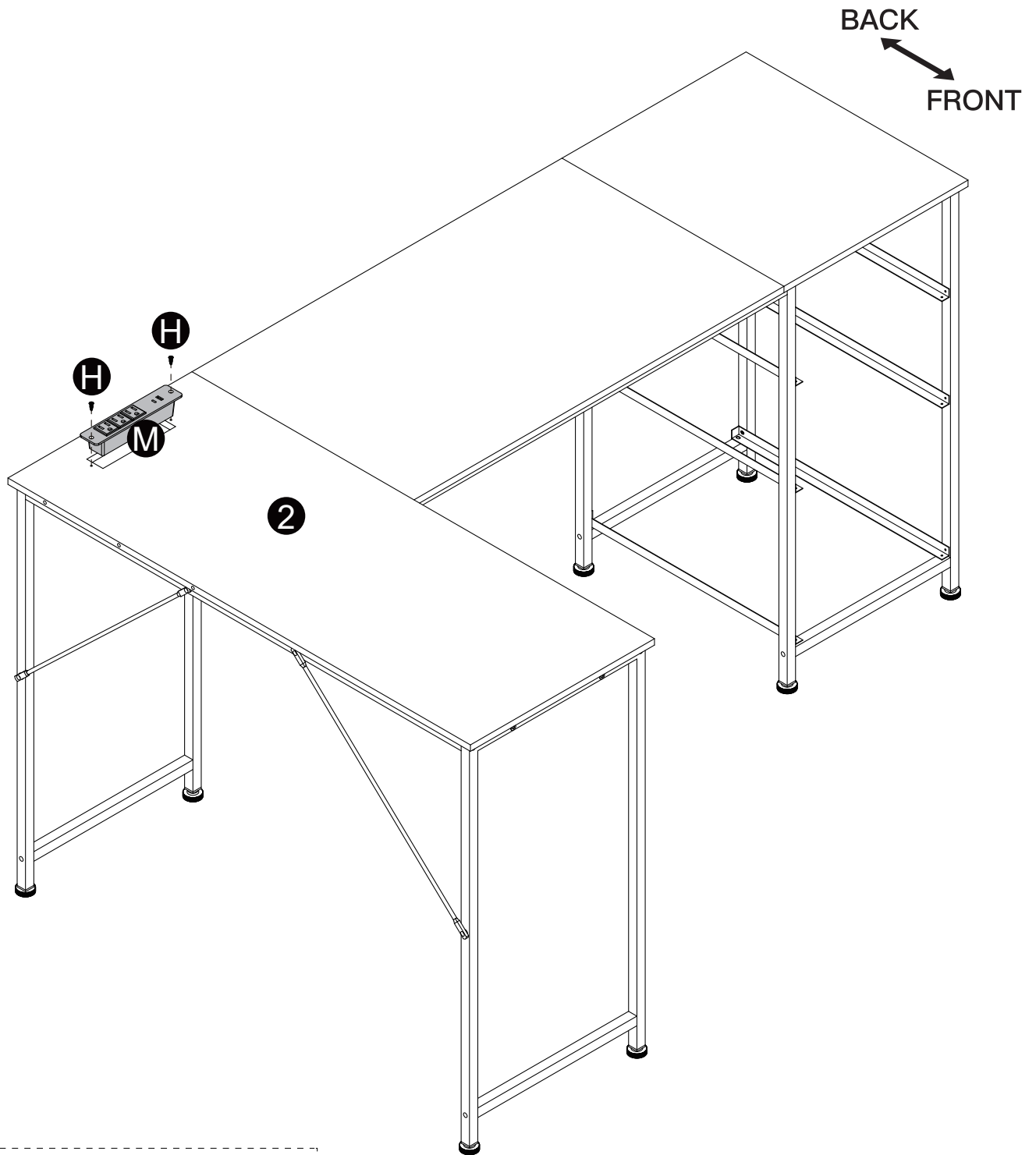
Assembly Instructions

Step 10: Fix metal bar 14 to the frame with screws C.



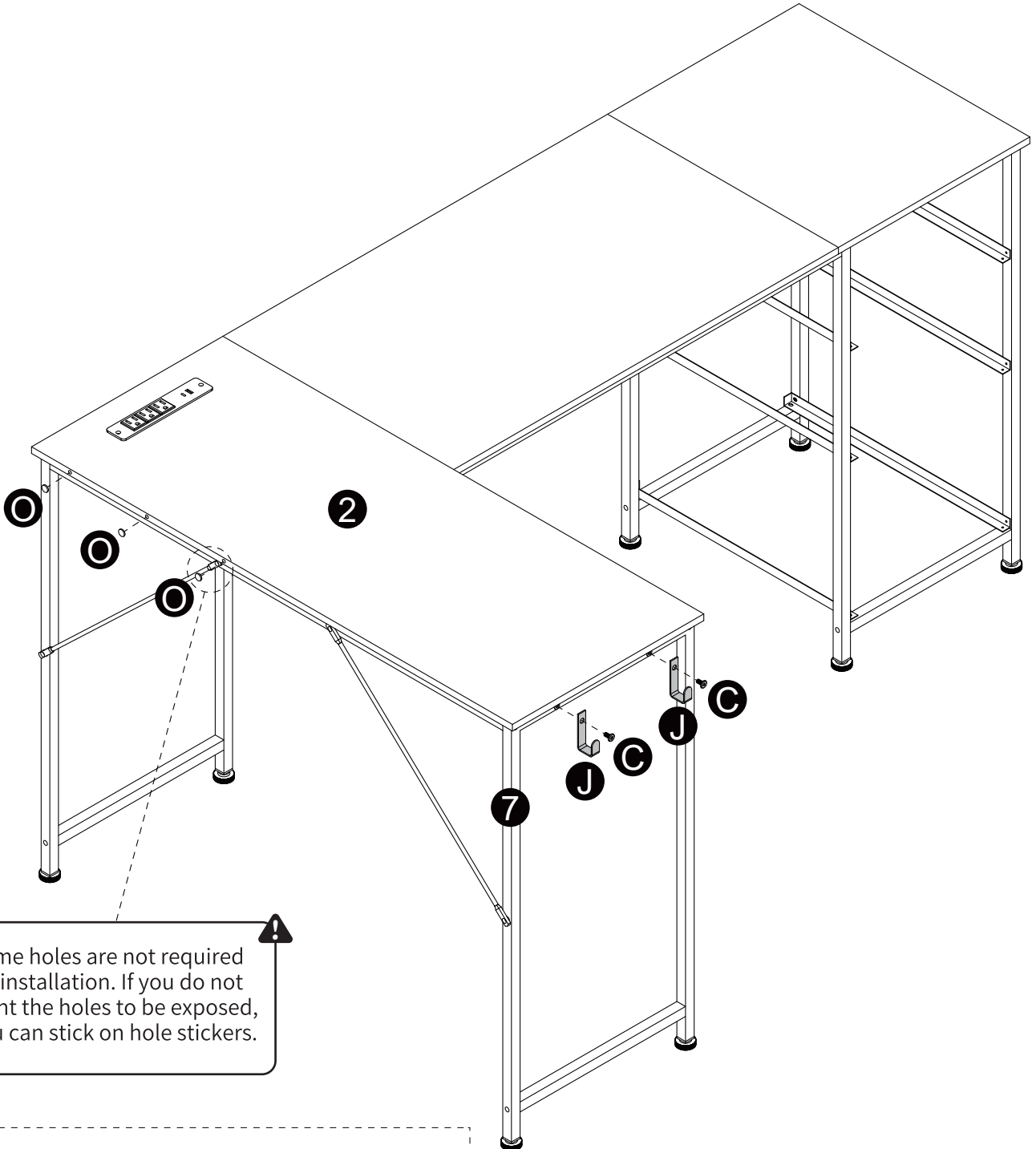
Assembly Instructions

Step 11: Fix power outlet **M** to board **2** with screws **H**.

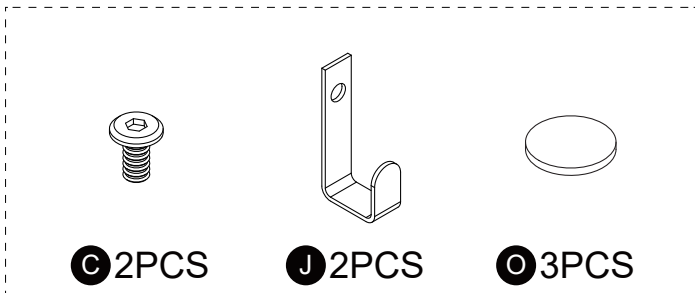


Assembly Instructions

Step 12: Install hook **J** on the frame **7** with screws **C** ; Cover the hole with **O** according to your needs.

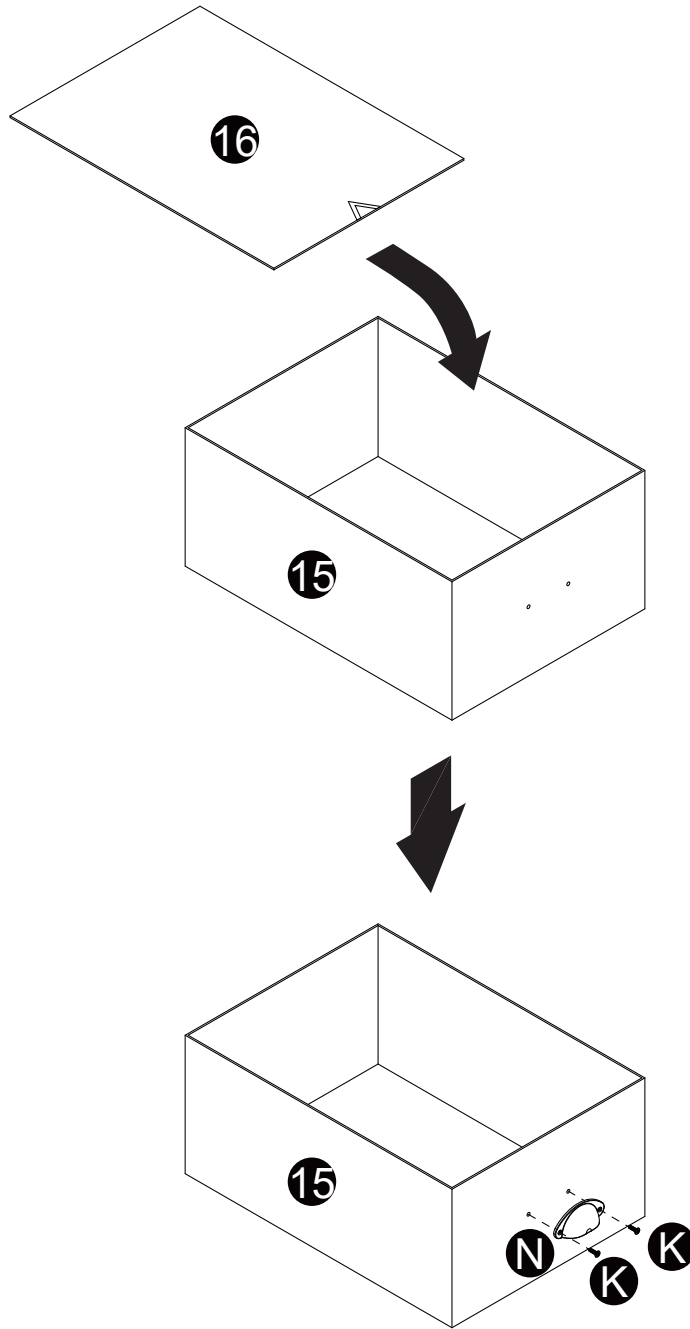


Some holes are not required for installation. If you do not want the holes to be exposed, you can stick on hole stickers.

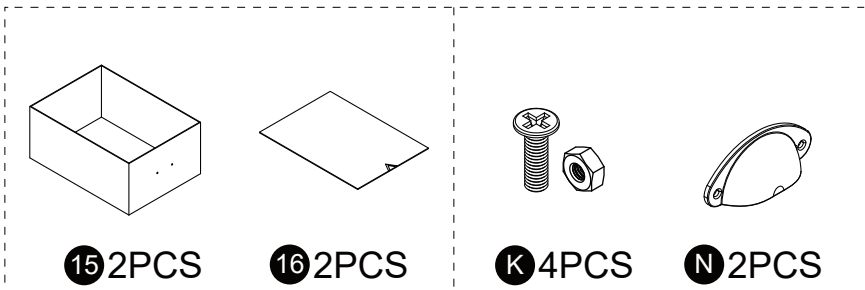


Assembly Instructions

Step 13: Assemble the drawers.

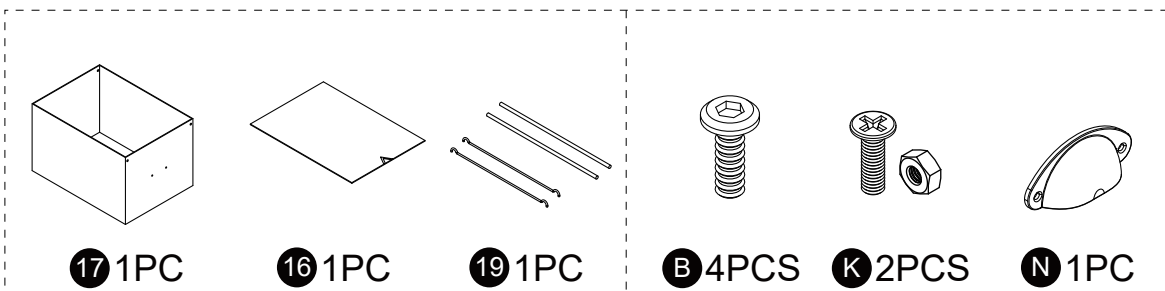
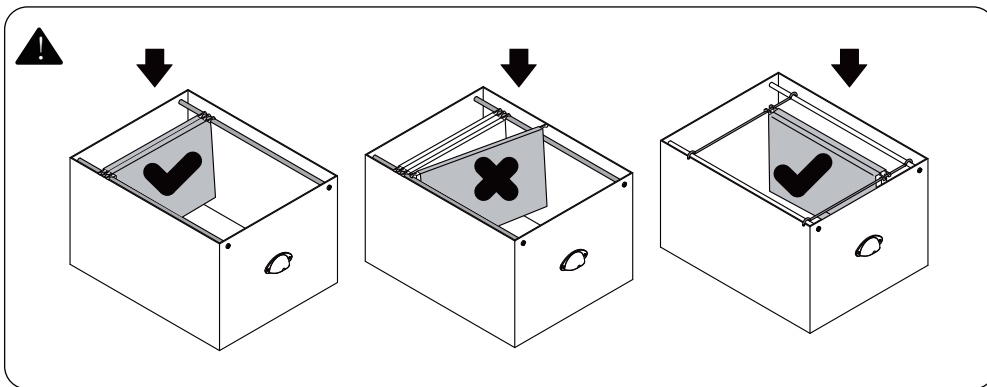
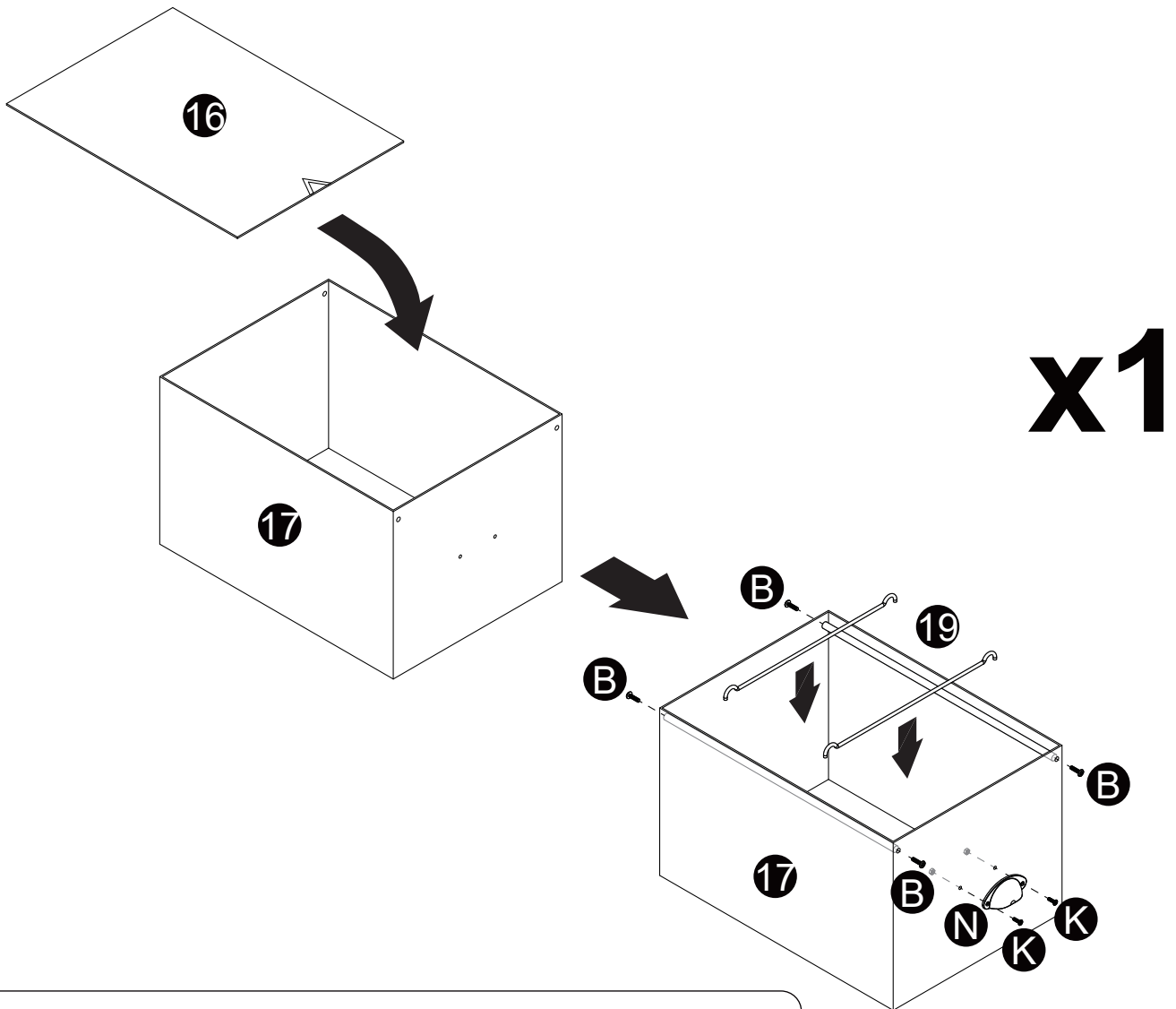


x2



Assembly Instructions

Step14: Assemble the accessories of file cabinet.



Assembly Instructions

Step 15: Put in the drawers.

