

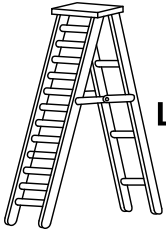
ASSEMBLY INSTRUCTIONS



CAUTION

- ◆ Inspect the wire insulation for any cuts, abrasions, or exposed copper that may have resulted during shipping. If there is a defect in the wire, do not attempt installation.
- ◆ Before starting installation of this fixture or removal of a previous fixture, disconnect the power by turning off the circuit breaker or by removing the fuse at the fuse box.

TOOLS REQUIRED



Ladder

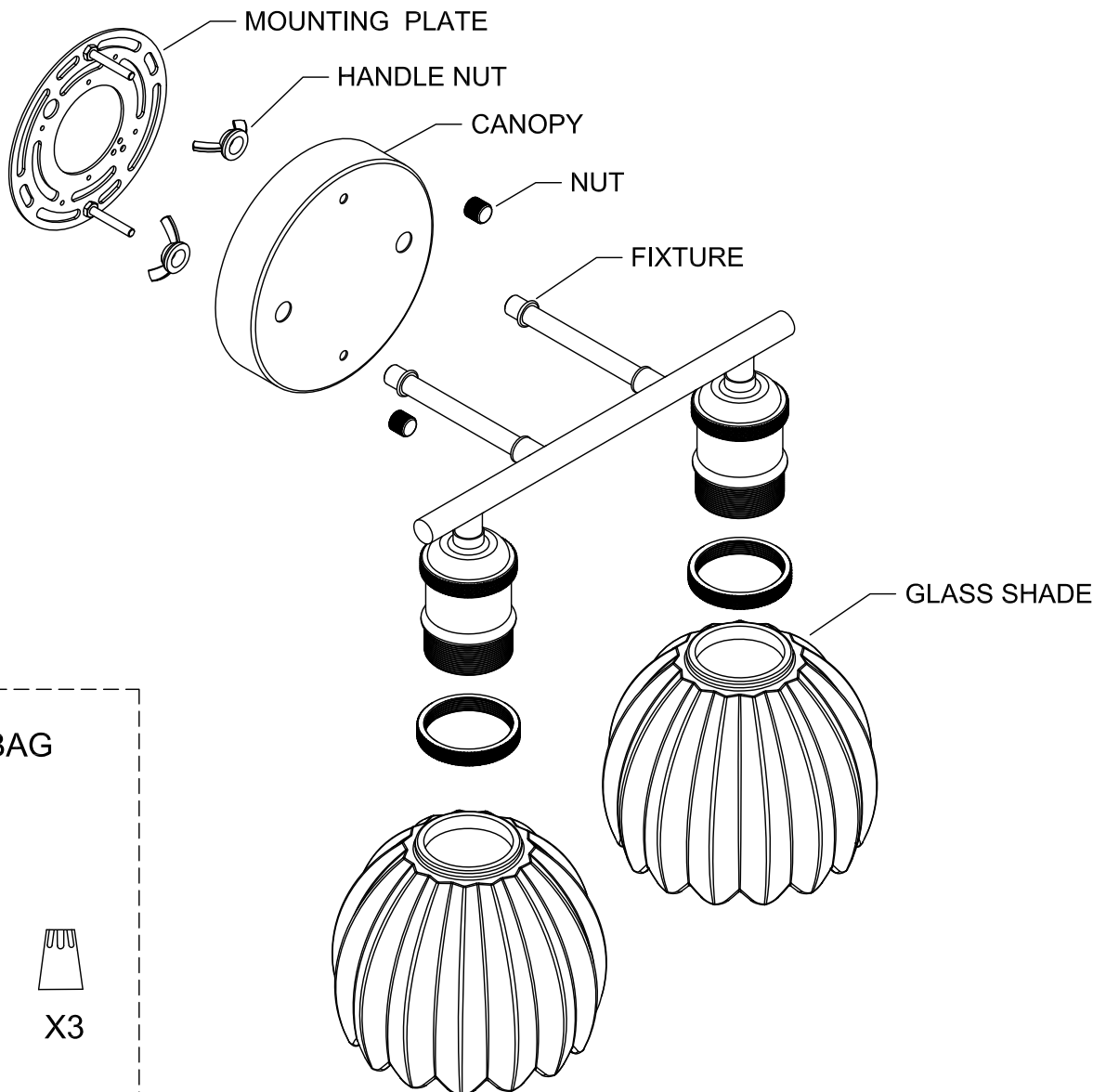


**Safety
glasses**



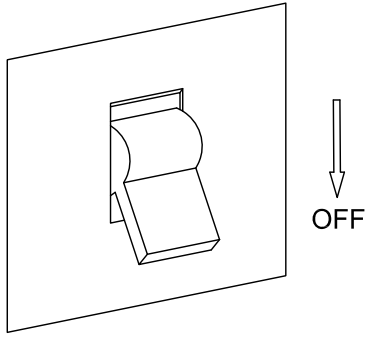
**Phillips
screwdriver**

PARTS SHOWN MAY DIFFER SLIGHTLY PER LIGHT FIXTURE



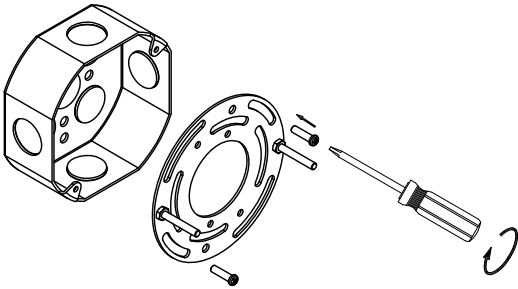
Step 1

Power off



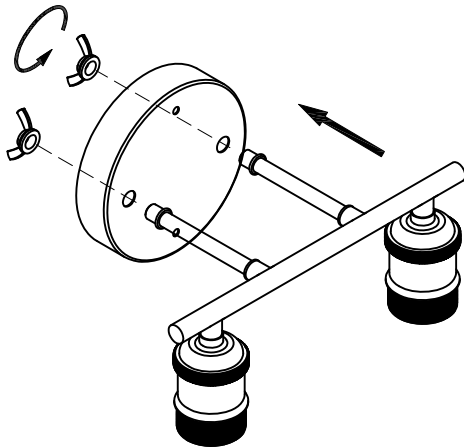
Step 2

Use the mounting screws to attach the mounting



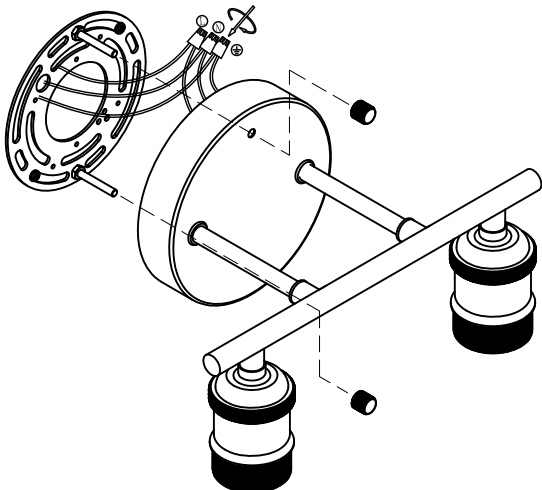
Step 3

Attach the wall sconce to the canopy with the handle nut.



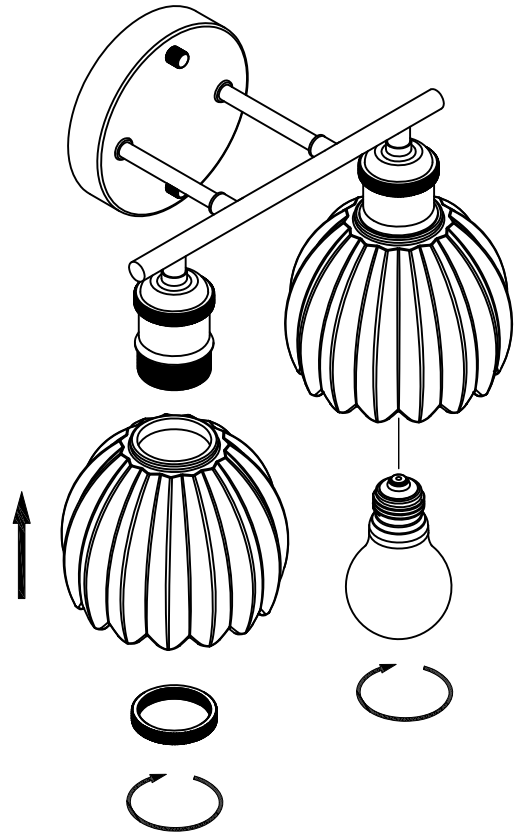
Step 4

Connect the wire.
attach the fixture to the mounting plate with the nut



STEP 5

- remove the socket ring from the fixture.
- attach the glass shade onto fixture by socket ring.
- install the bulb.



SCONCE

