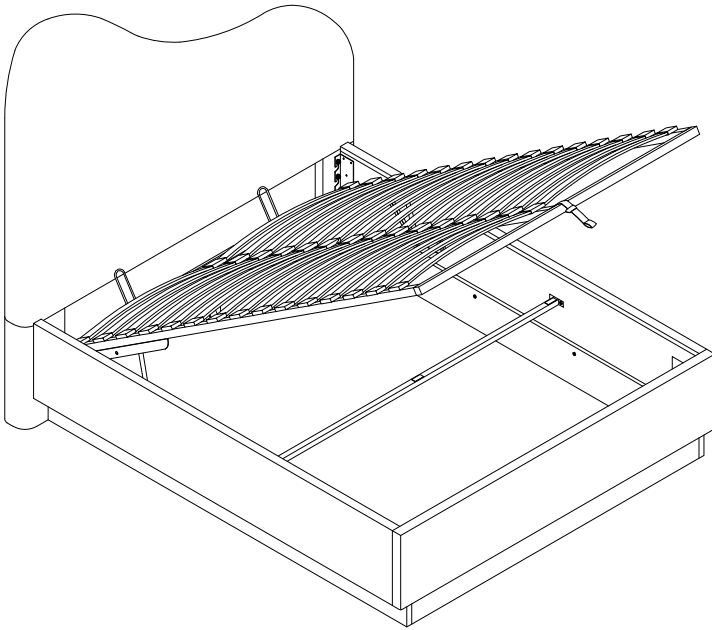


ASSEMBLY INSTRUCTION

ITEM NUMBER: BH016

SIZE: Full/Queen



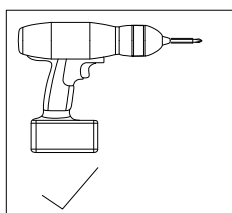
Please **TEAR OFF** this shrink film from side!
DO NOT USE CUTTER!

IMPORTANT NOTE

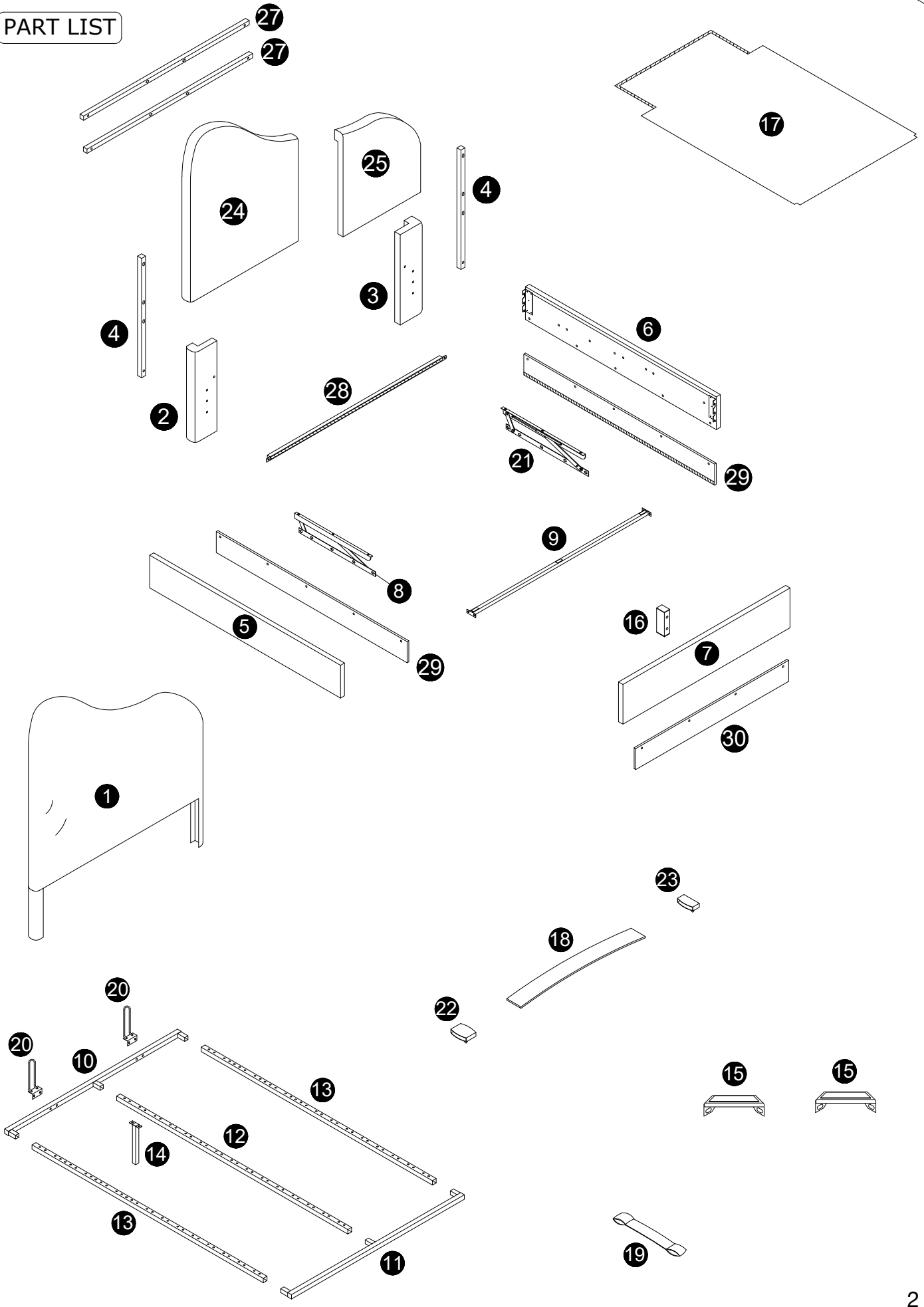
1. For the protection of your furniture, place all parts on a clean and smooth surface to prevent any damage.
2. Keep fittings out of children's reach and keep children well away from construction area.
3. When moving your assembled bed, it is best to lift the bed and never to drag it.
4. Do not use this product if parts are missing, damaged or worn.
5. This product should only be used on firm, level ground.
6. Please periodically check all fittings and re-tighten as necessary.
7. Do not use the bed unless all bolts and screws are firmly secured.
8. For further assistance, please provide a screenshot of your order and contact us via email at support@velocavabed.com



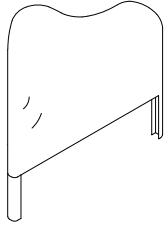


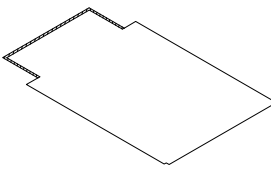
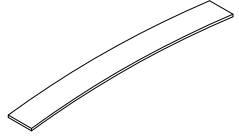
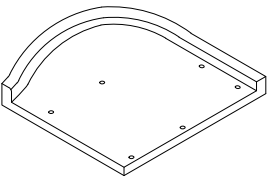
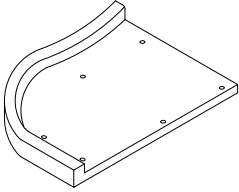
Minimum two
person assembly




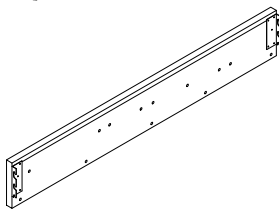
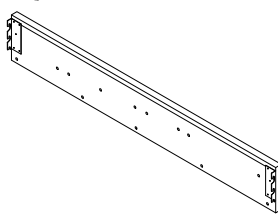
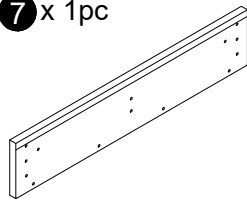
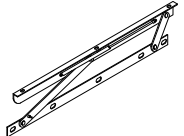
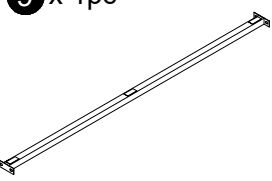
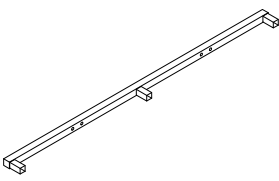
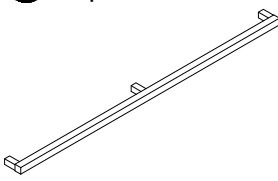
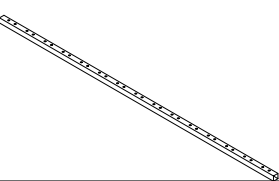
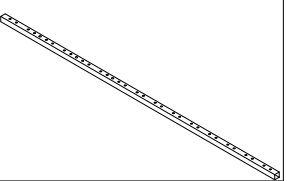
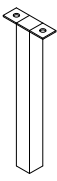

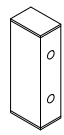
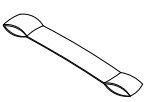
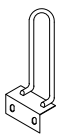
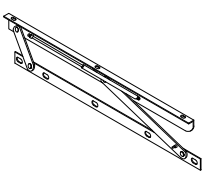
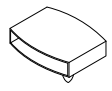
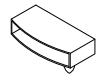
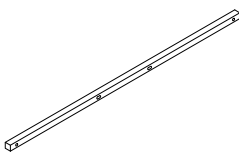
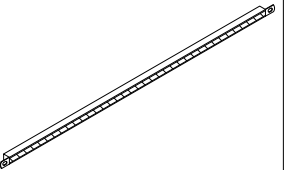
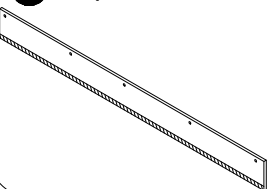
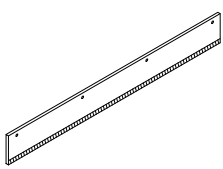
PART LIST



Components of Carton A

1 x 1pc 	2 x 1pc 	3 x 1pc 	17 x 1pc 	18 Full Size x 28pcs Queen Size x 30pcs 
24 x 1pc 	25 x 1pc 			


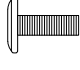
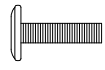






Components of Carton B

4 x 2pcs (30x765mm) 	5 x 1pc 	6 x 1pc 	7 x 1pc 	8 x 1pc 
9 x 1pc 	10 x 1pc 	11 x 1pc 	12 x 1pc 	13 x 2pcs 
14 x 1pc (25x265mm) 	15 x 2pcs 	16 x 1pc 	19 x 1pc 	20 x 2pcs 
21 x 1pc 	22 Full Size x 14pcs Queen Size x 15pcs 	23 Full Size x 28pcs Queen Size x 30pcs 	27 x 2pcs (25x950mm) 	28 x 1pc 
29 x 2pcs 	30 x 1pc 			

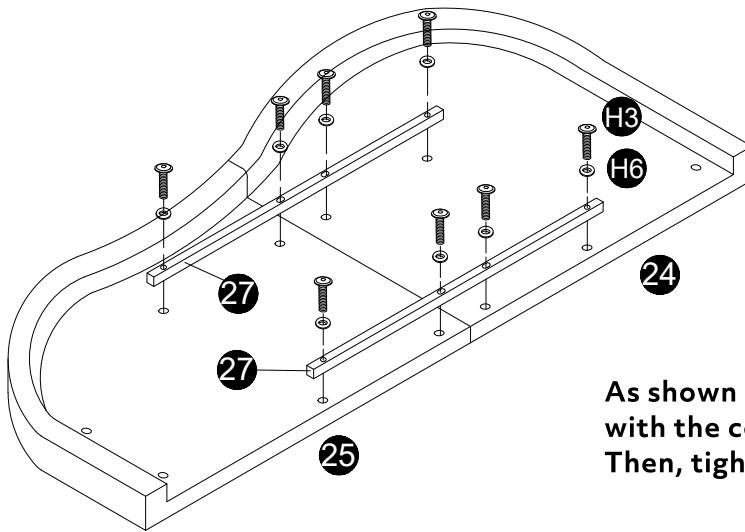
Please ensure to thoroughly inspect the small inner cardboard box containing the hardware, which are tied with a red string, before disposing of the box.

HARDWARE LIST

Components of Carton B

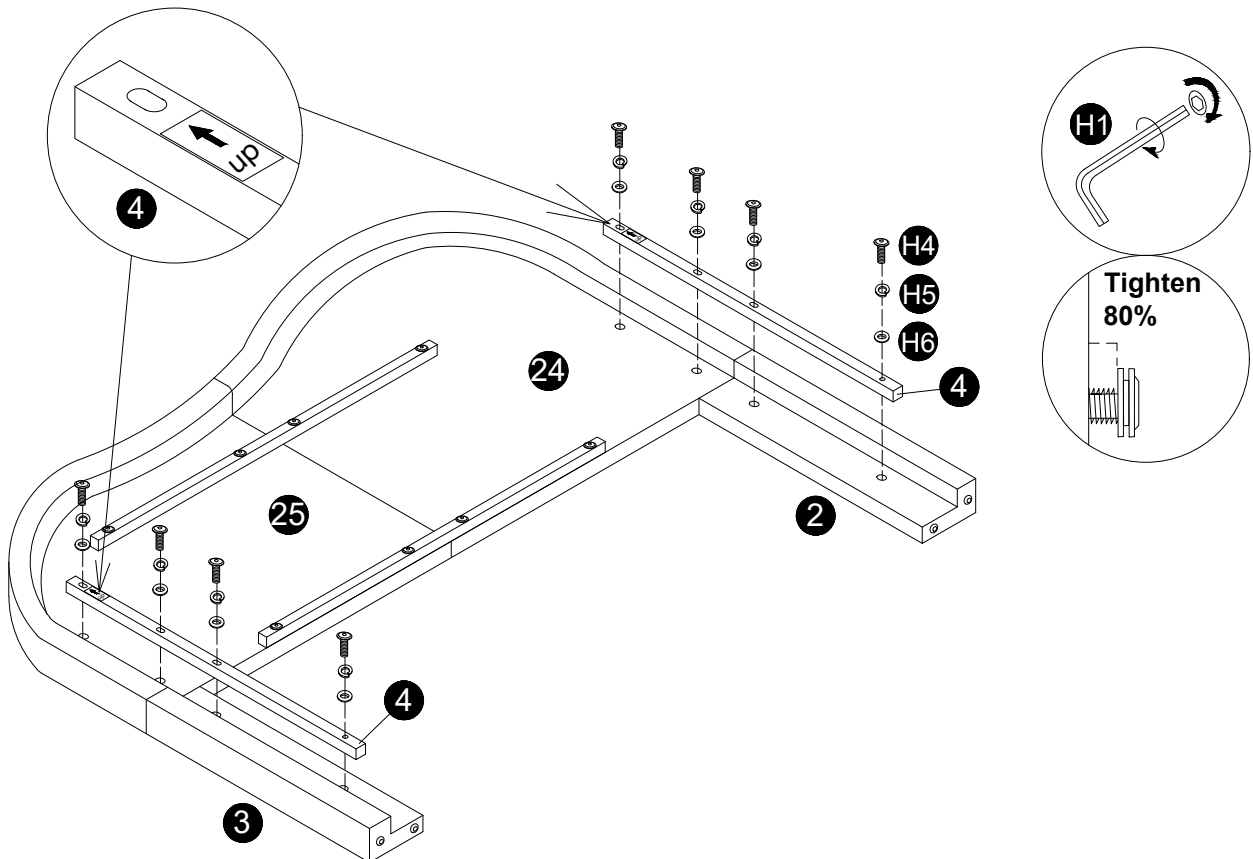
 H1 M5 x 1pc	 H2 M8x25mm x 50pcs	 H3 M8x40mm x 22pcs	 H4 M8x50mm x 14pcs
 H5 M8 x 14pcs	 H6 M8x22mm x 36pcs	 H7 M8 x 6pcs	 H8 M14 x 1pc
			 H9 M8x60mm x 2pcs

1

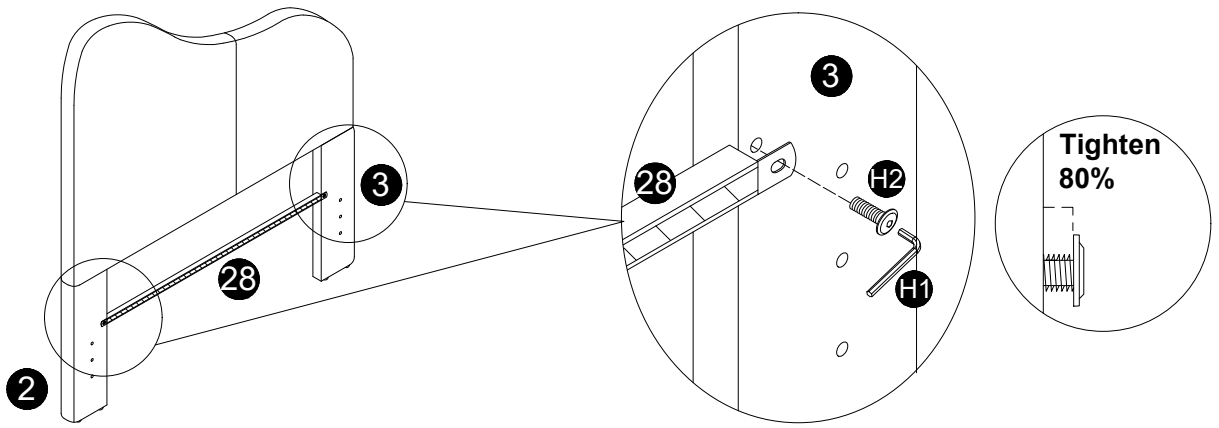


As shown in the diagram, align the screws with the corresponding holes and pre-fix them. Then, tighten each screw separately.

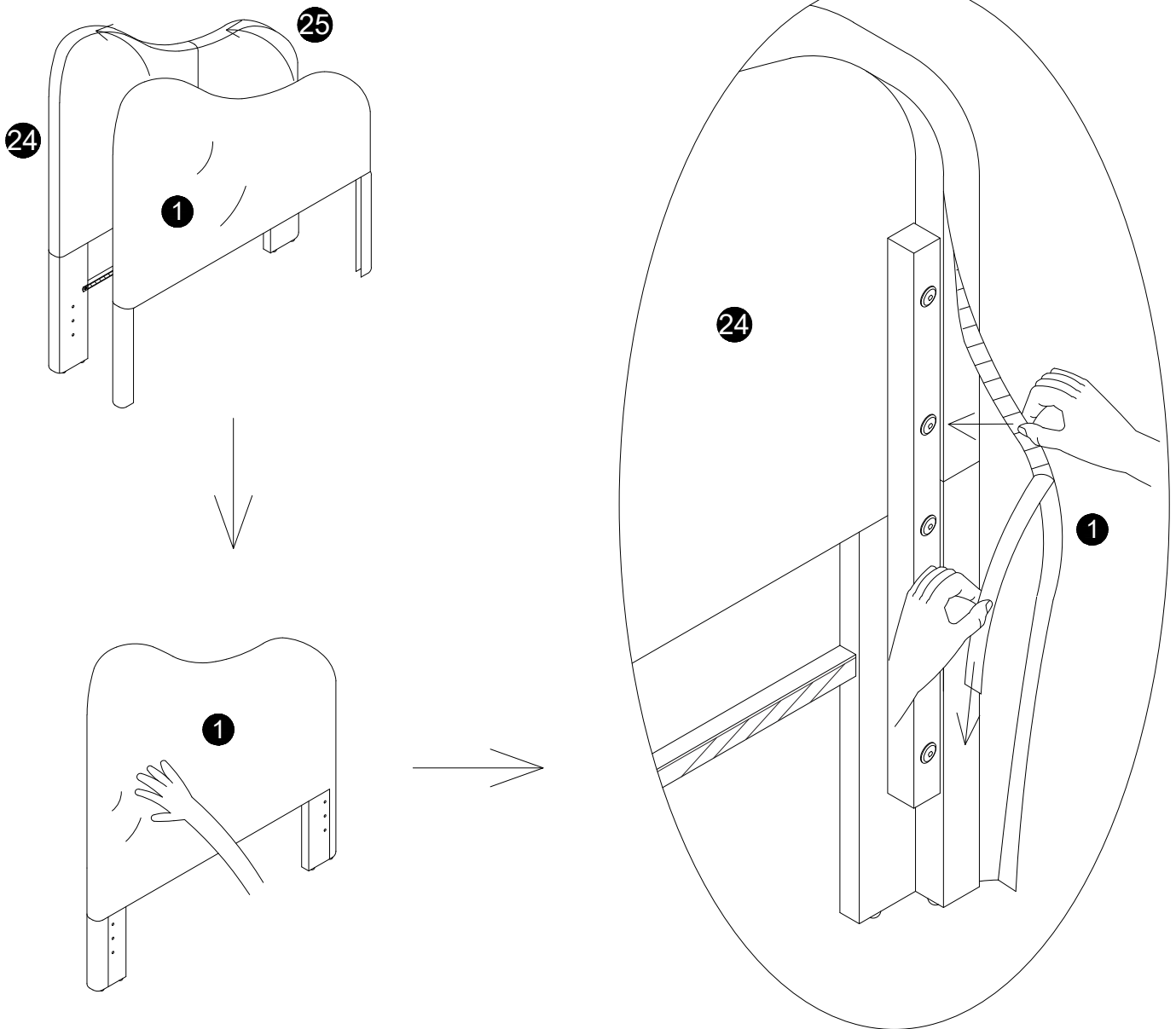
2



3



4 Slide the fabric cover (Part 1) over the headboard until it reaches the bottom, ensuring a full and secure fit.

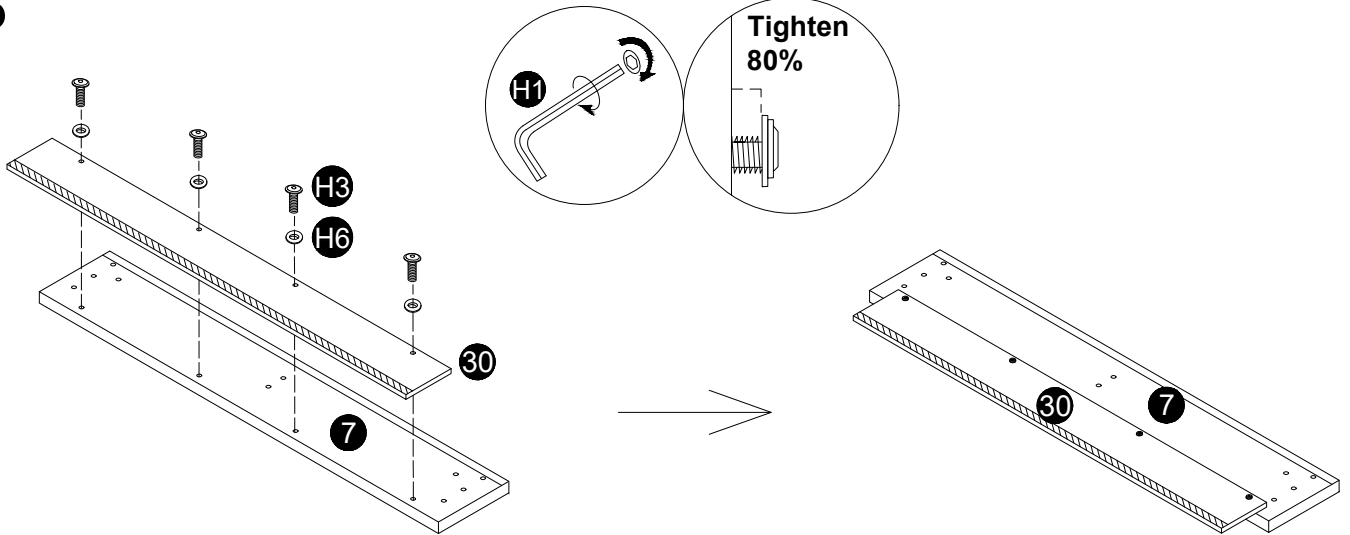


Smooth out any uneven areas or wrinkles by hand for a neat appearance.

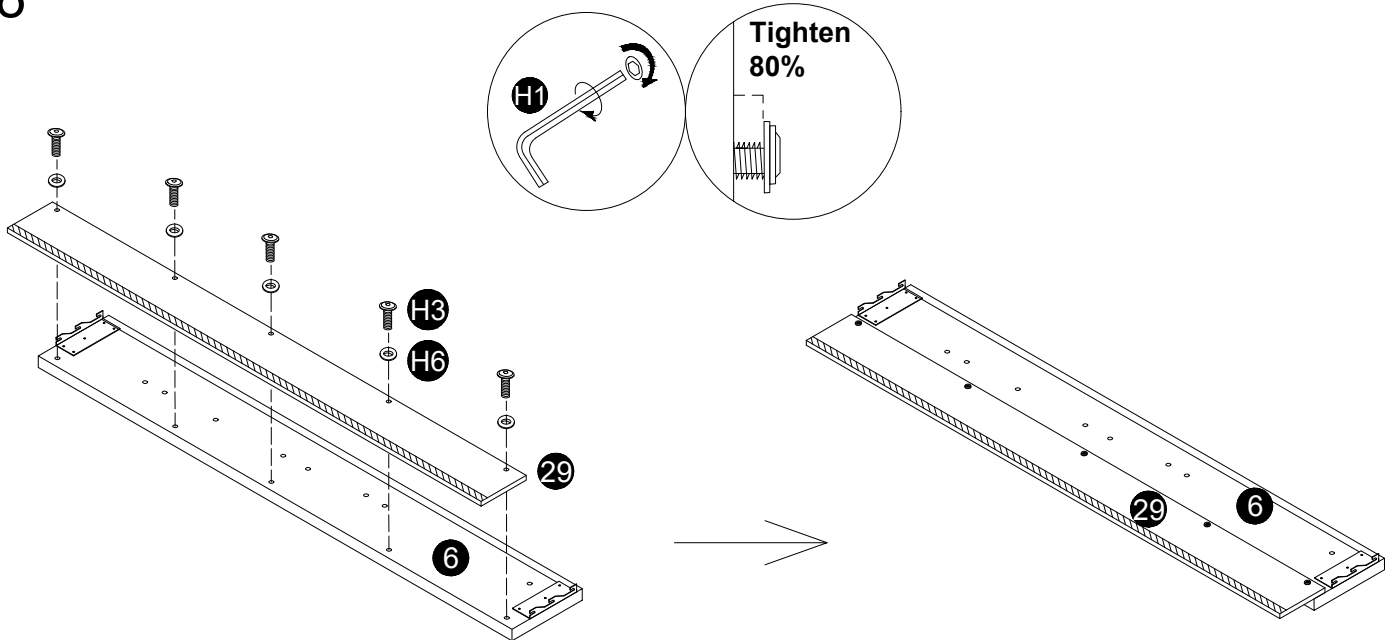
At the back of the Part 1, peel away the fabric strip covering the Velcro while pressing the Velcro firmly onto the headboard.

5

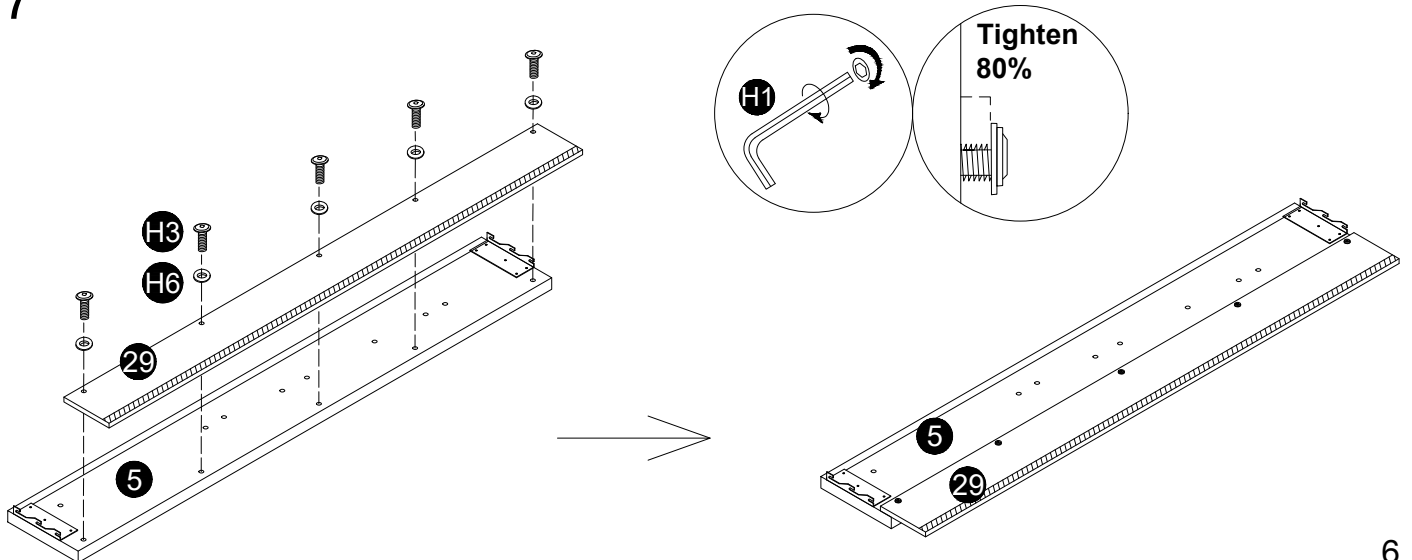
5



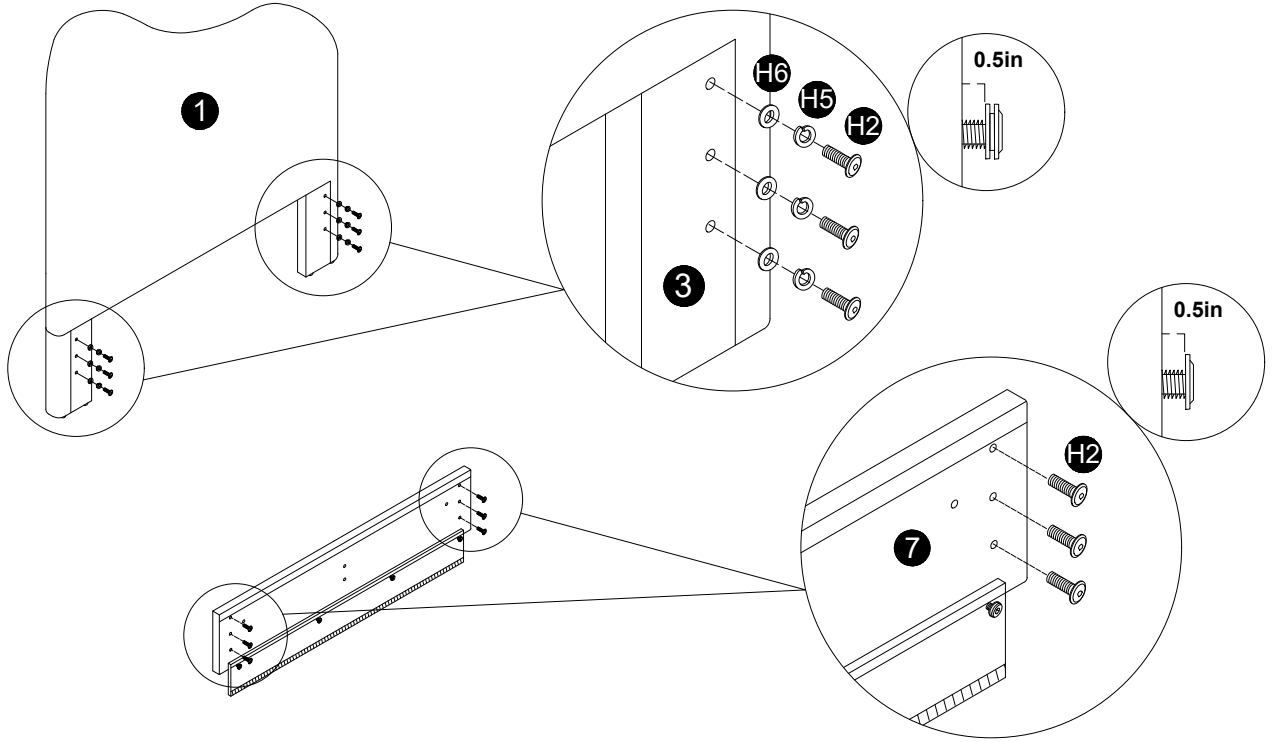
6



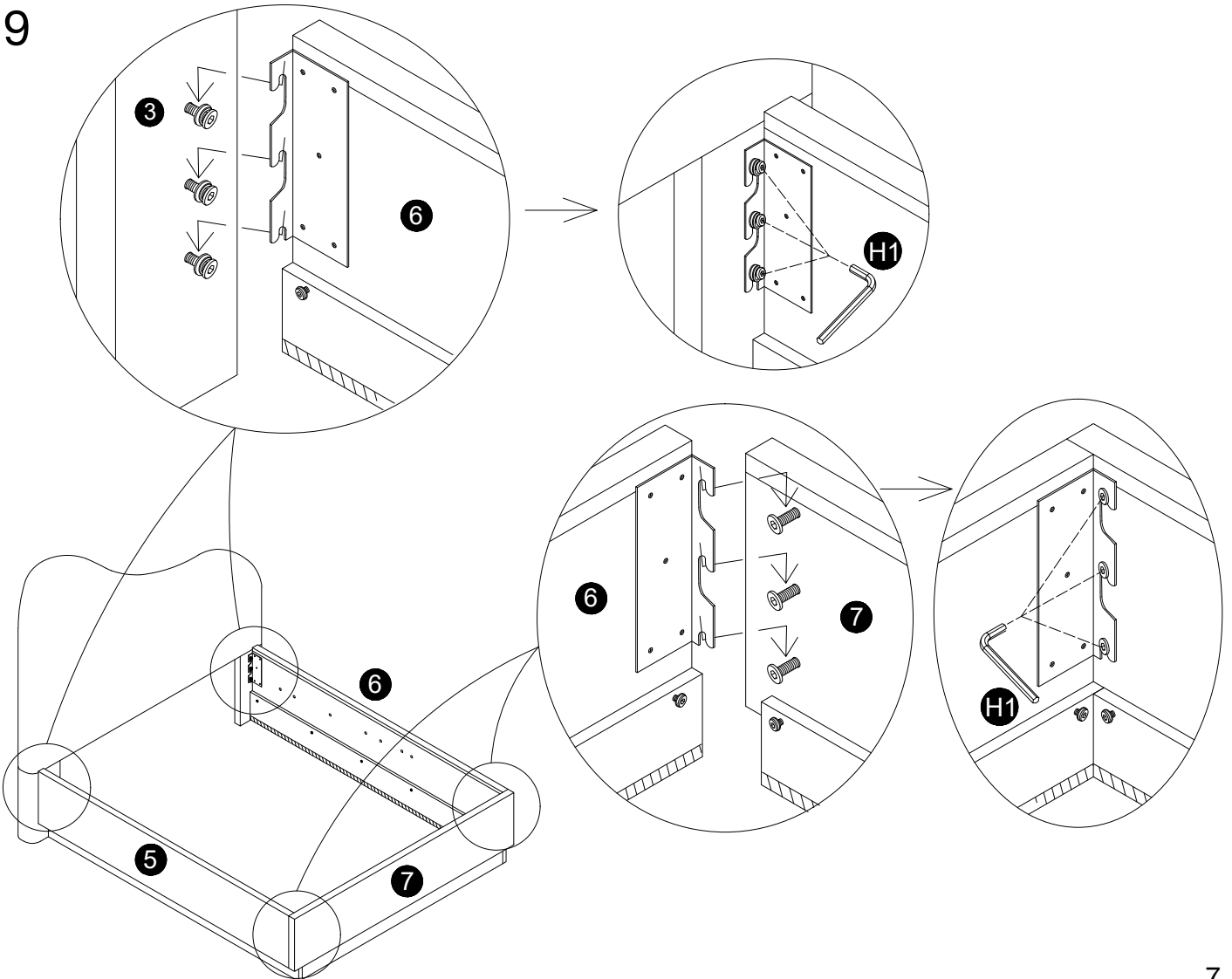
7



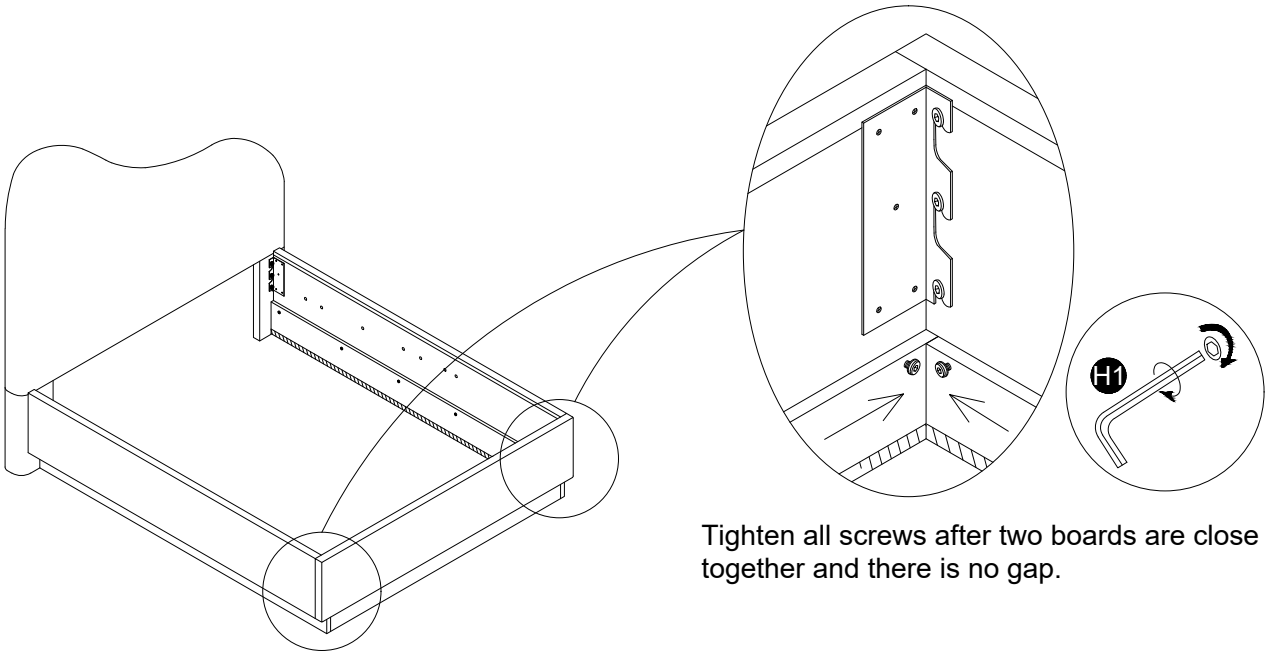
8



9



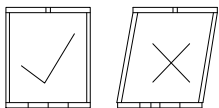
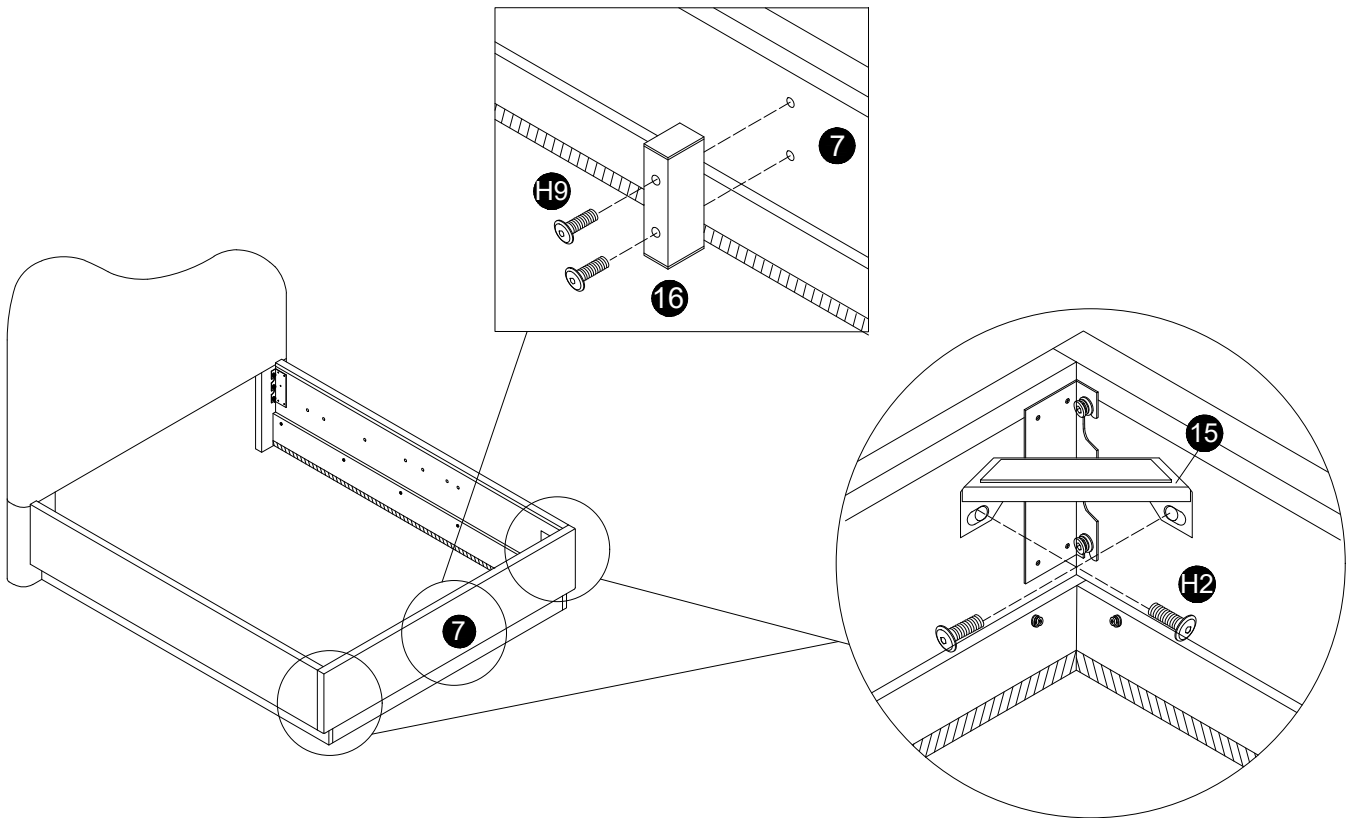
10



Tighten all screws after two boards are close together and there is no gap.

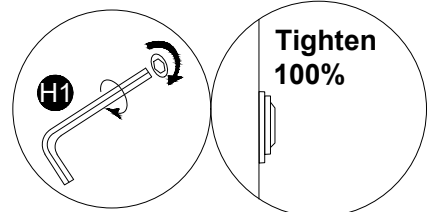
11

As shown in the diagram, align the screws with the corresponding holes and pre-fix them. Then, tighten each screw separately.

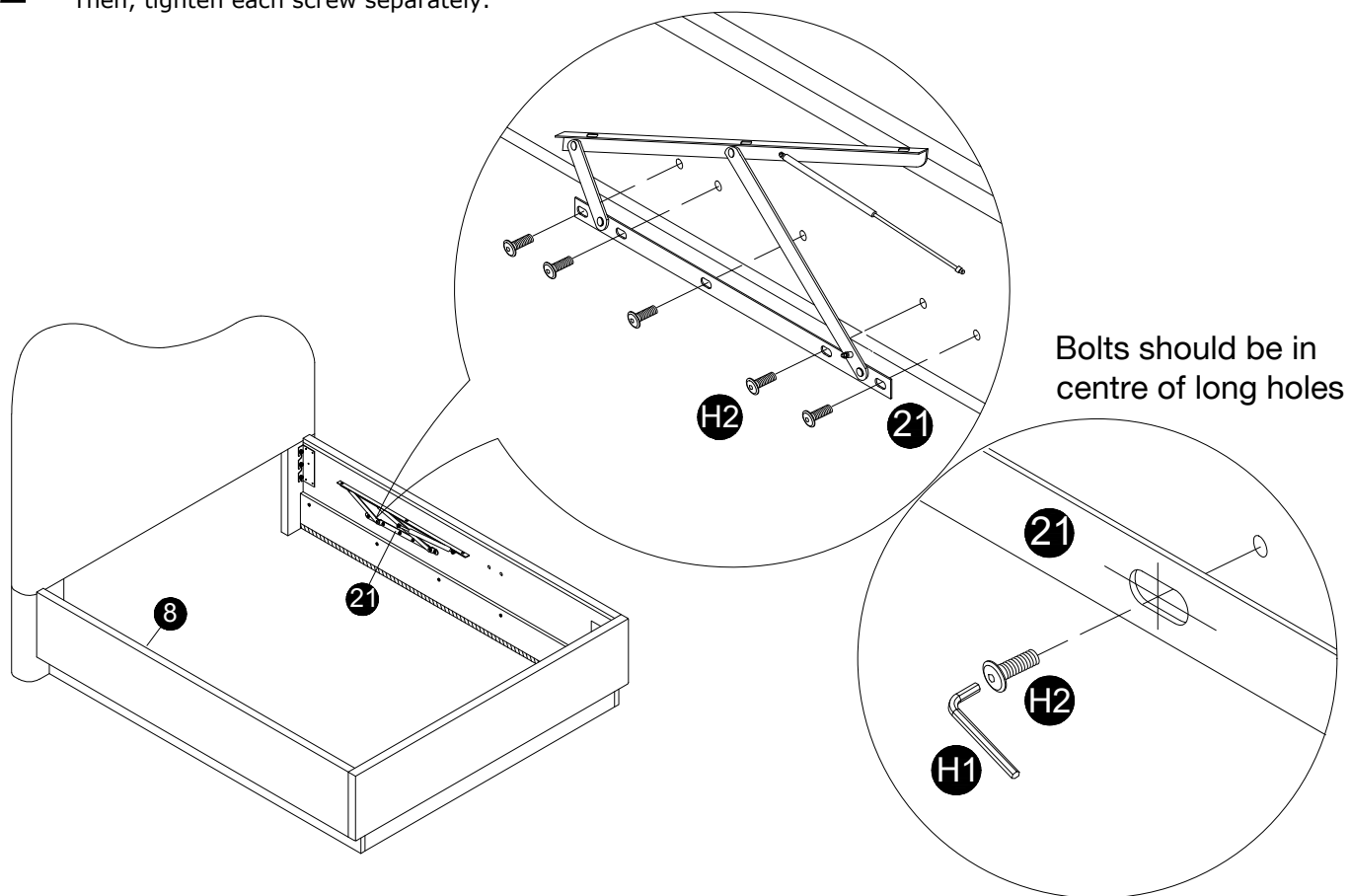


Ensure frame is square

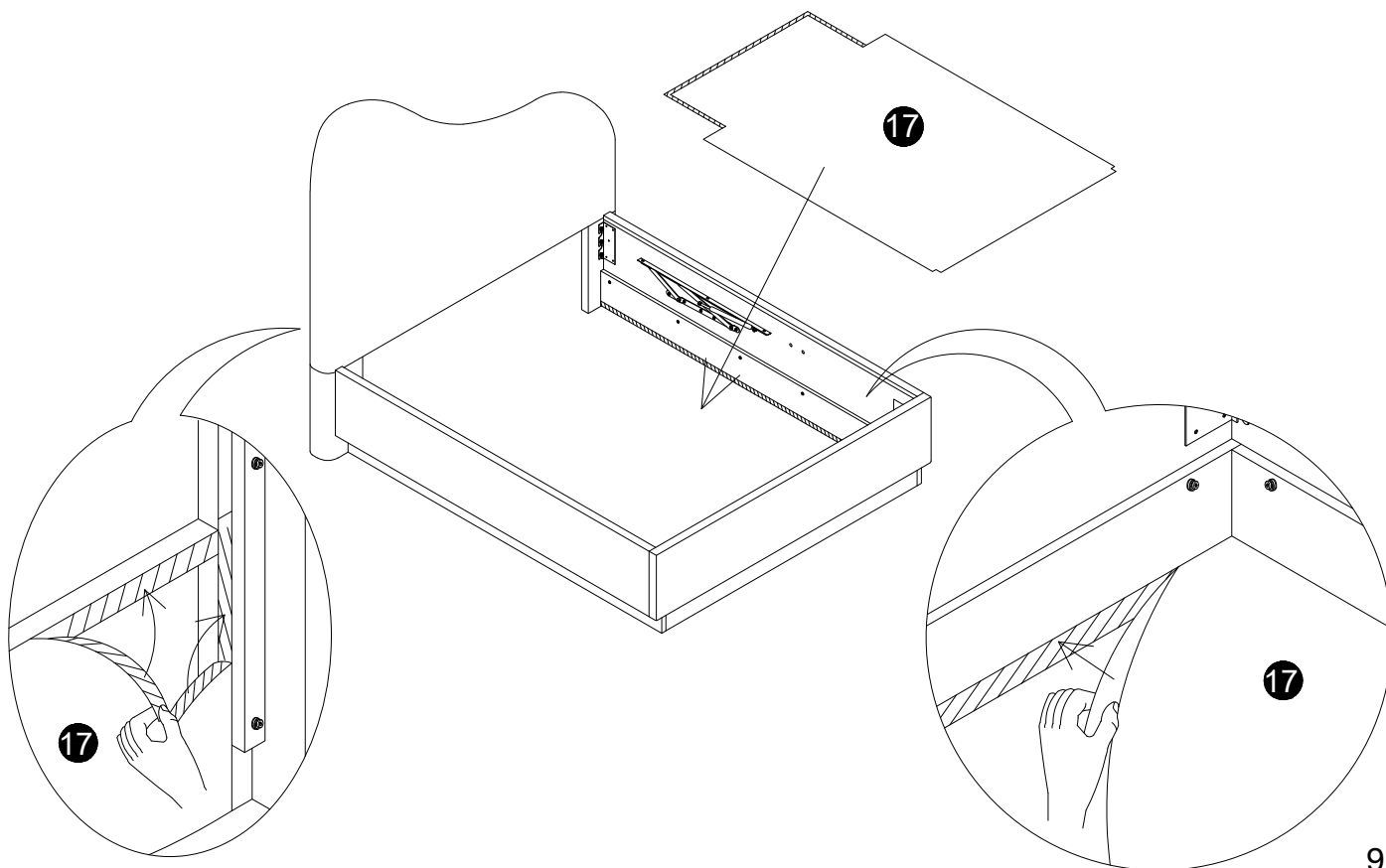
Make certain the bed is squared up as shown in the diagram then tighten all bed assembly bolts 100%.



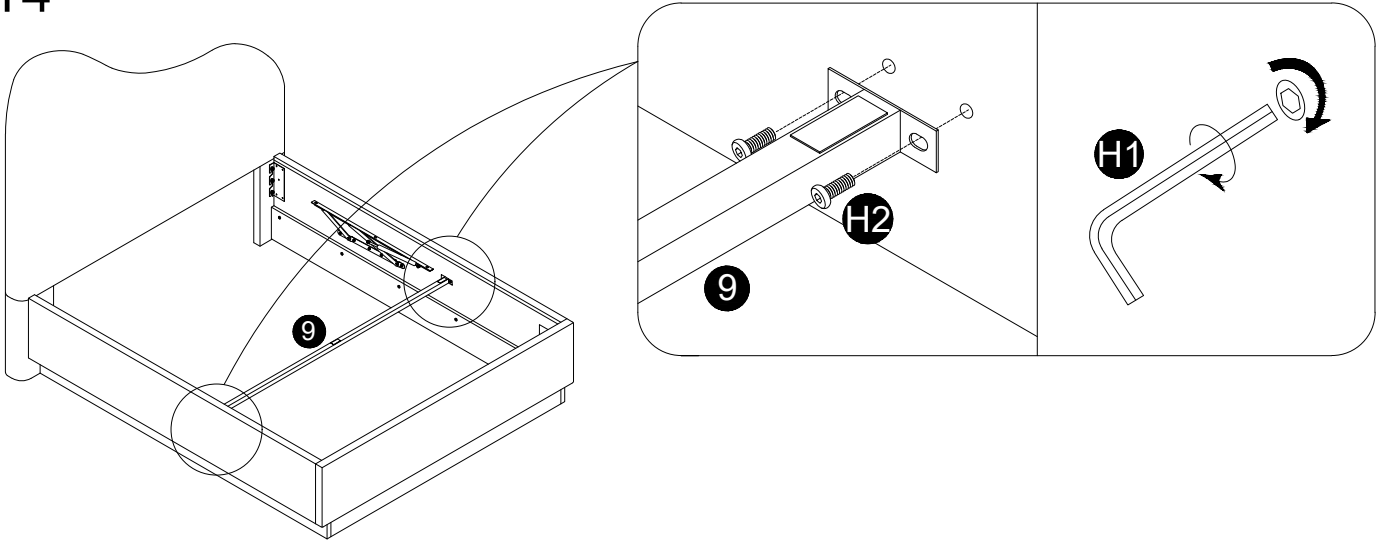
12 As shown in the diagram, align the screws with the corresponding holes and pre-fix them. Then, tighten each screw separately.



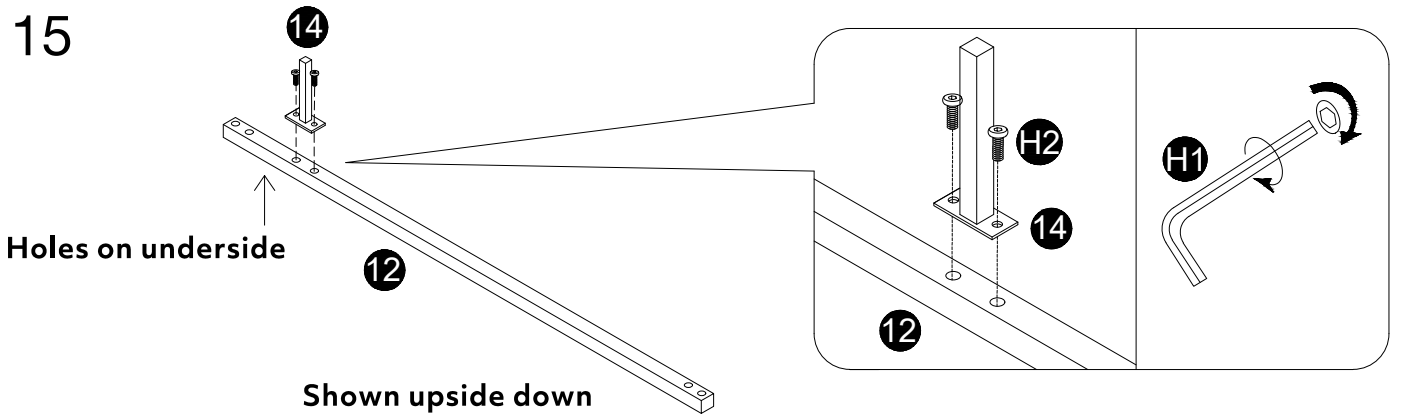
13 Locate fabric base into position using the hook and loop strips around the inside of the frame.



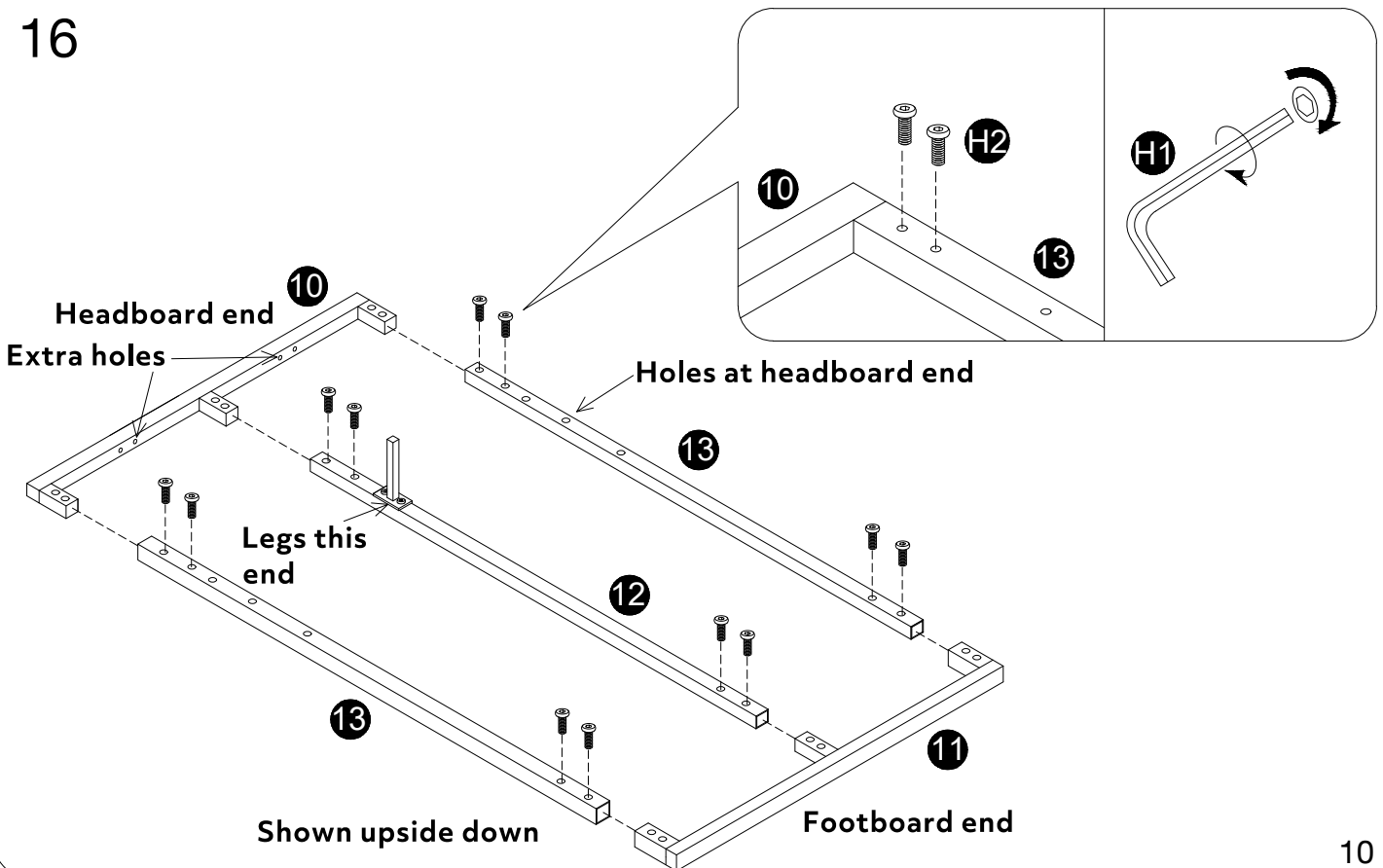
14



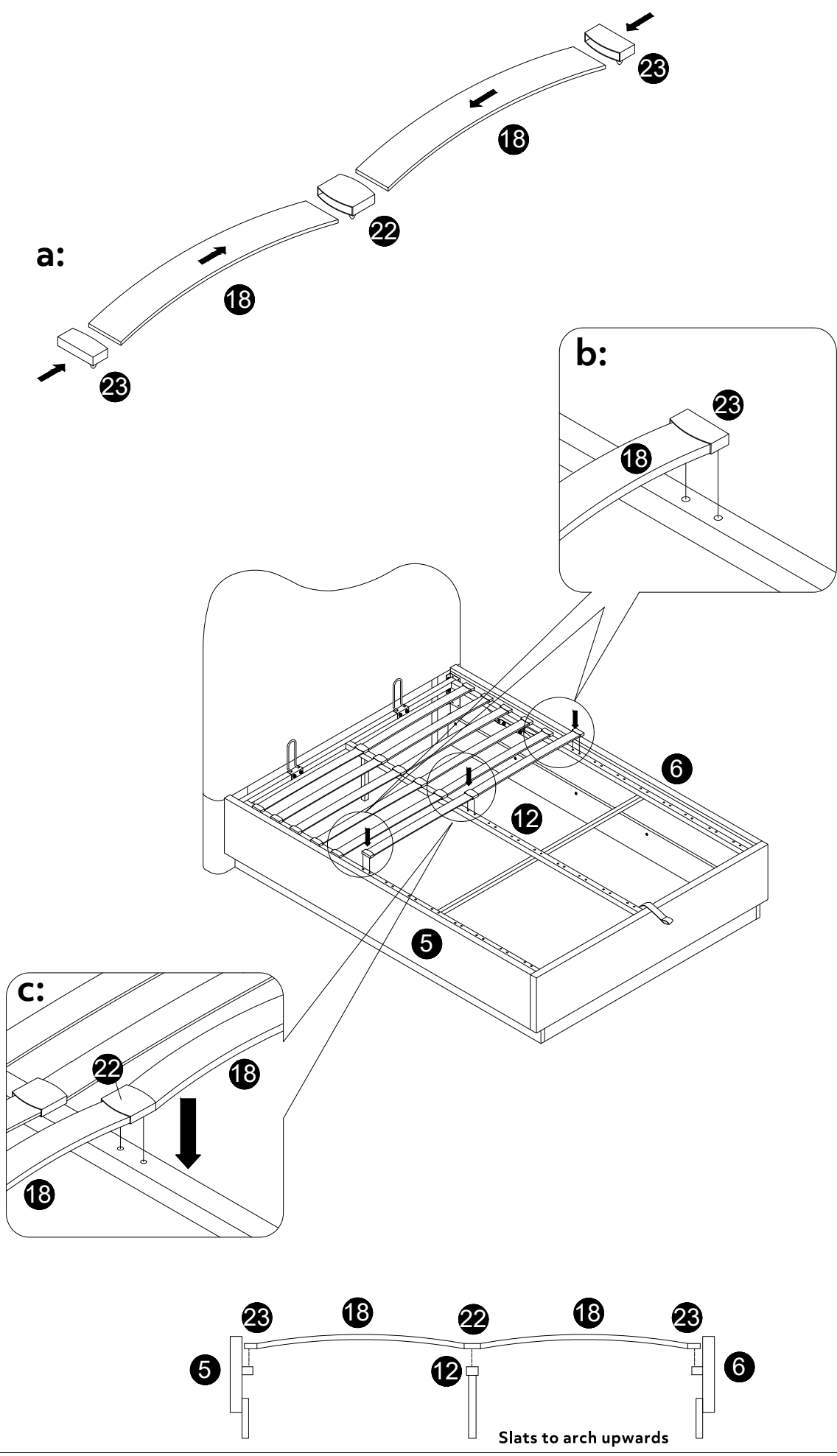
15



16

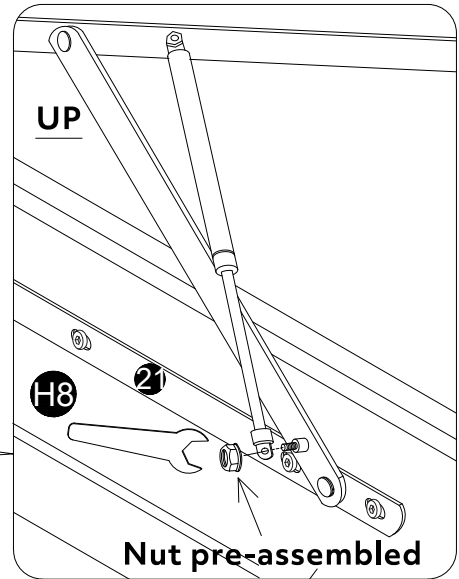
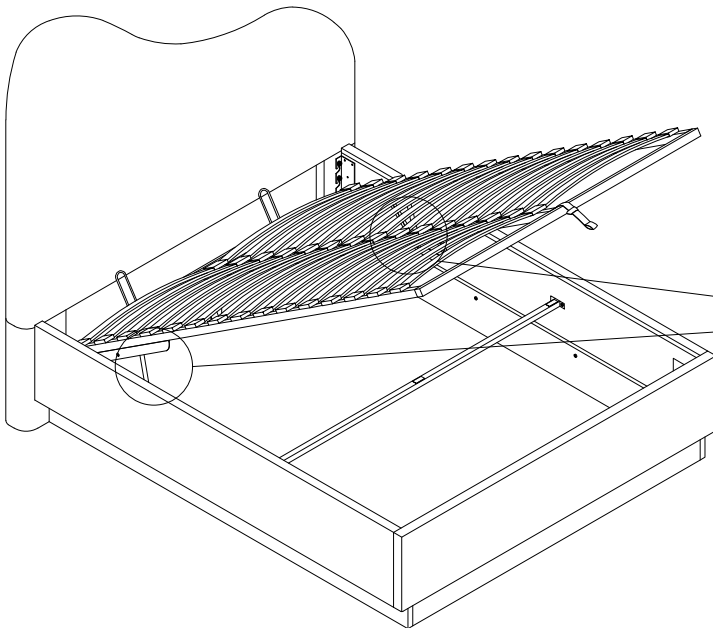


19



20

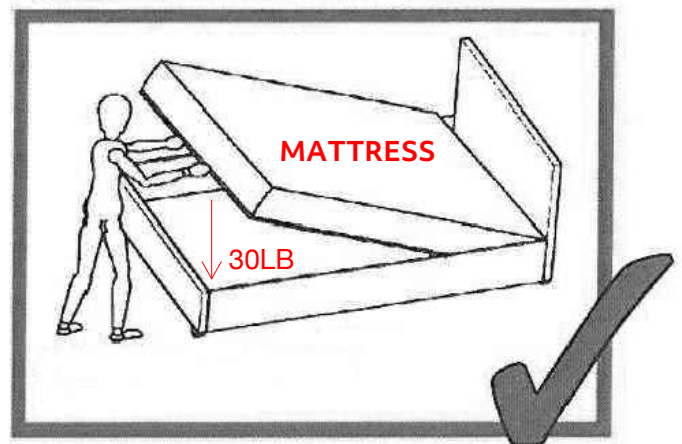
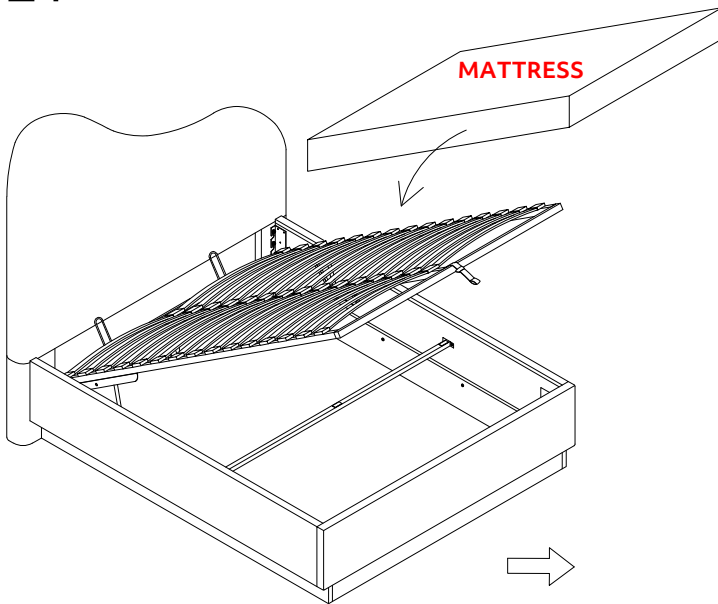
**Warning: Two people required.
Frame to be fully supported at all times!**




Repeat both sides

Important: Before proceeding, check and ensure all screws and fixings are fully tightened.

21



 Place the mattress on frame & Carefully lower the frame down.
Keep objects/body part & children away from moving parts.

Job Complete !

In the interest of our environment please dispose of all packaging thoughtfully.