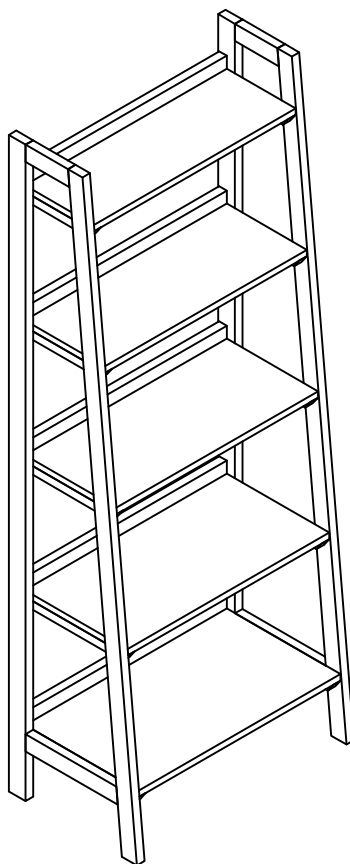

ASSEMBLY INSTRUCTIONS FIVE SHELF BOOKCASE





WE ARE HERE TO HELP!

IMPORTANT:
PLEASE READ ALL INSTRUCTIONS IN THIS BOOKLET BEFORE STARTING ASSEMBLY.
MADE IN VIETNAM

HARDWARE PACKAGE COUNT

OPEN HARDWARE PACKAGE ON A FLAT SURFACE COVERED WITH NEWSPAPER. COUNT EACH PIECE OF HARDWARE TO MATCH THE QUALITY NUMBER IN THE HARDWARE LIST COLUMN CALL CUSTOMER SERVICE IF ANY OF THE PARTS ARE MISSING. FOLLOW THE LETTER IDENTIFICATION WHEN READING THE ASSEMBLY DRAWING "A" THROUGH "B"

HARDWARE IDENTIFICATION

SYMBOL	GRAPHICS	DESCRIPTION	QTY
A		Ø1/4"xL.1"	20
B		ALLEN WRENCH	1

ALL PARTS ARE LABELED WITH STICKERS MATCHING THE PART IDENTIFICATION NUMBERS LISTED ON PAGE 3.

IMPORTANT

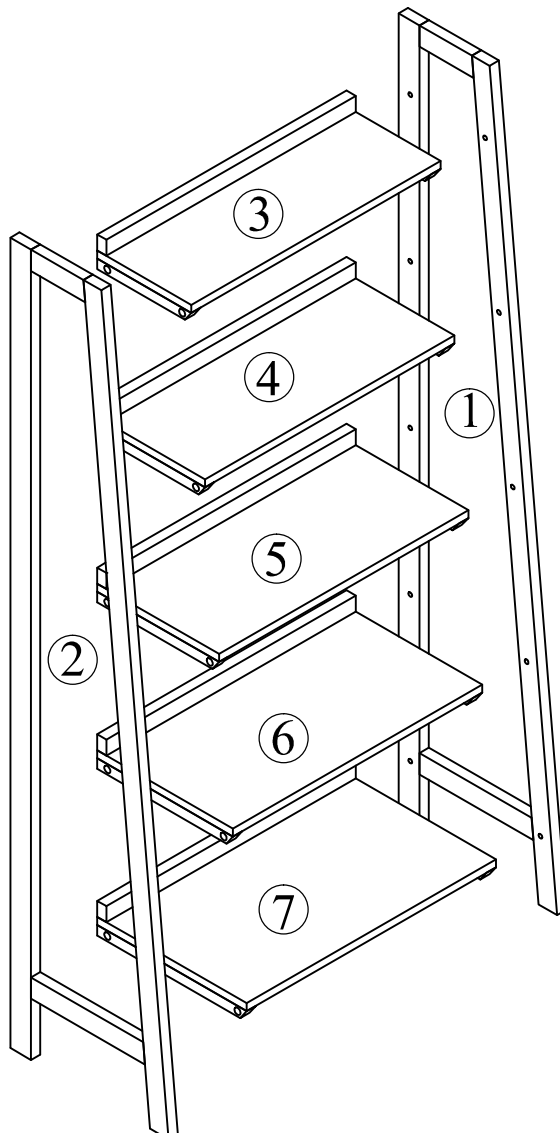
PLEASE USE ALL THE HARDWARE MENTIONED ABOVE
THEY WILL ASSURE THE ITEM STABILITY AND SAFETY.

TOOLS REQUIRED

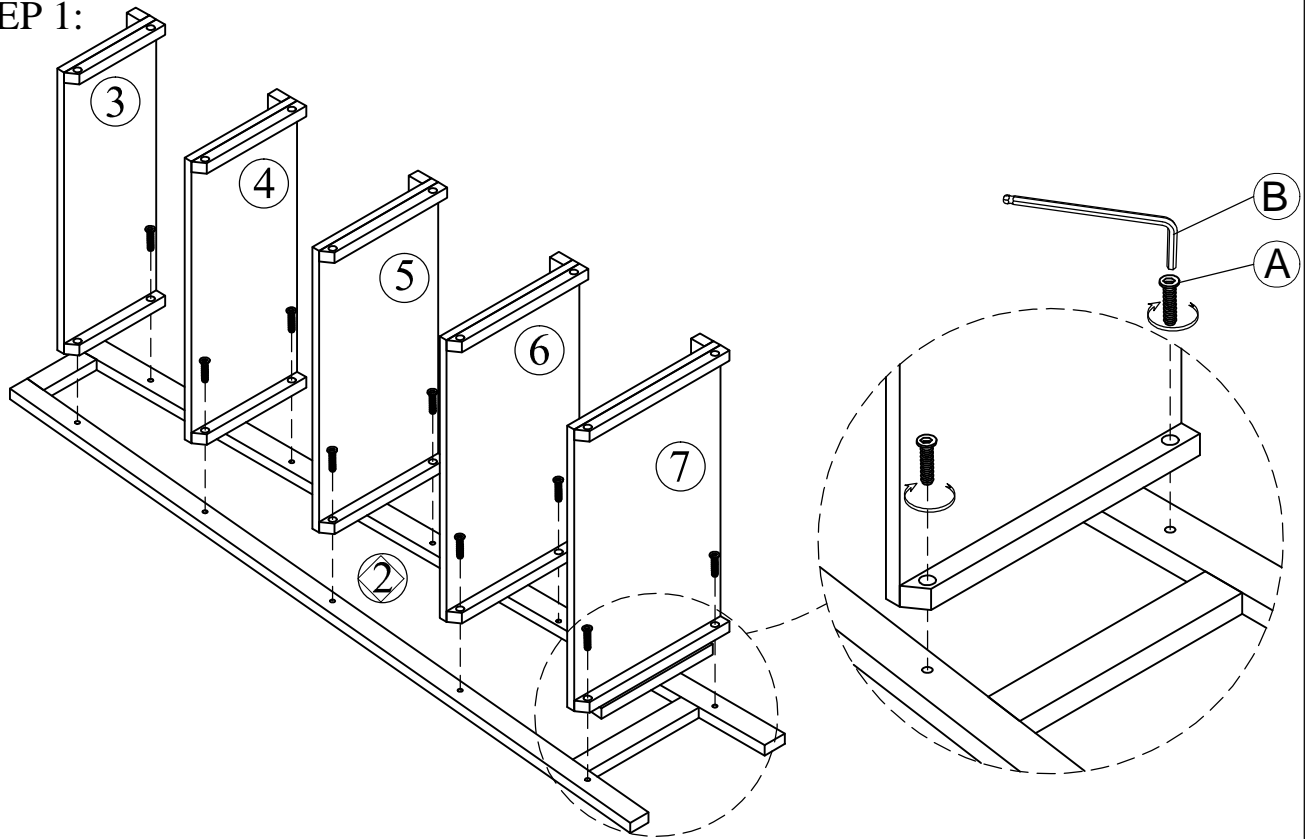
A STANDARD PHILIPS HEAD SCREWDRIVER (NOT PROVIDED) AND AN ALLEN WRENCH "B" (PROVIDED) ARE REQUIRED TO ASSEMBLE THIS UNIT. USE A PLASTIC HEAD MALLET, NOT PROVIDED, TO TAP IN STRETCHERS OR OTHER COMPONENTS.

PART IDENTIFICATION:

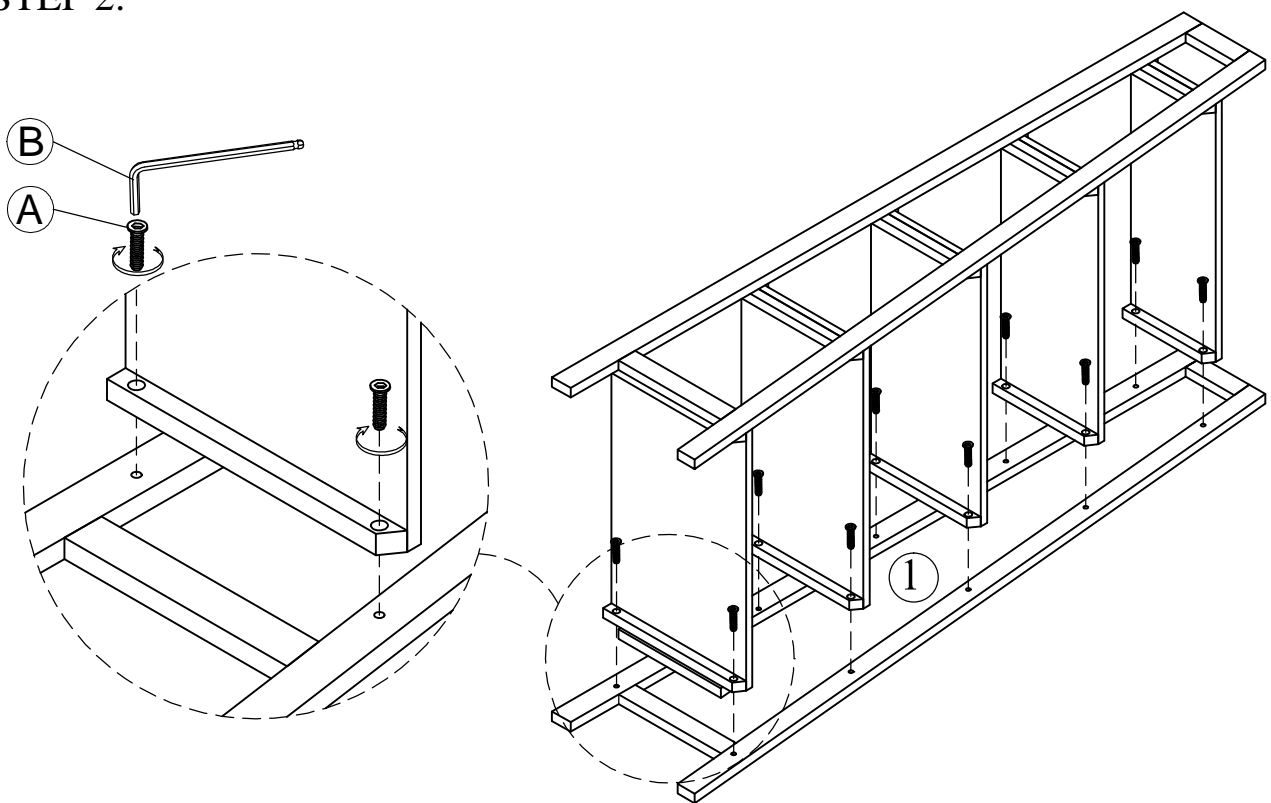
PART NUMBER	DESCRIPTION	QTY
1	RIGHT LEG FRAME	01
2	LEFT LEG FRAME	01
3	TOP SHELF	01
4	2nd SHELF	01
5	3rd SHELF	01
6	4th SHELF	01
7	BOTTOM SHELF	01



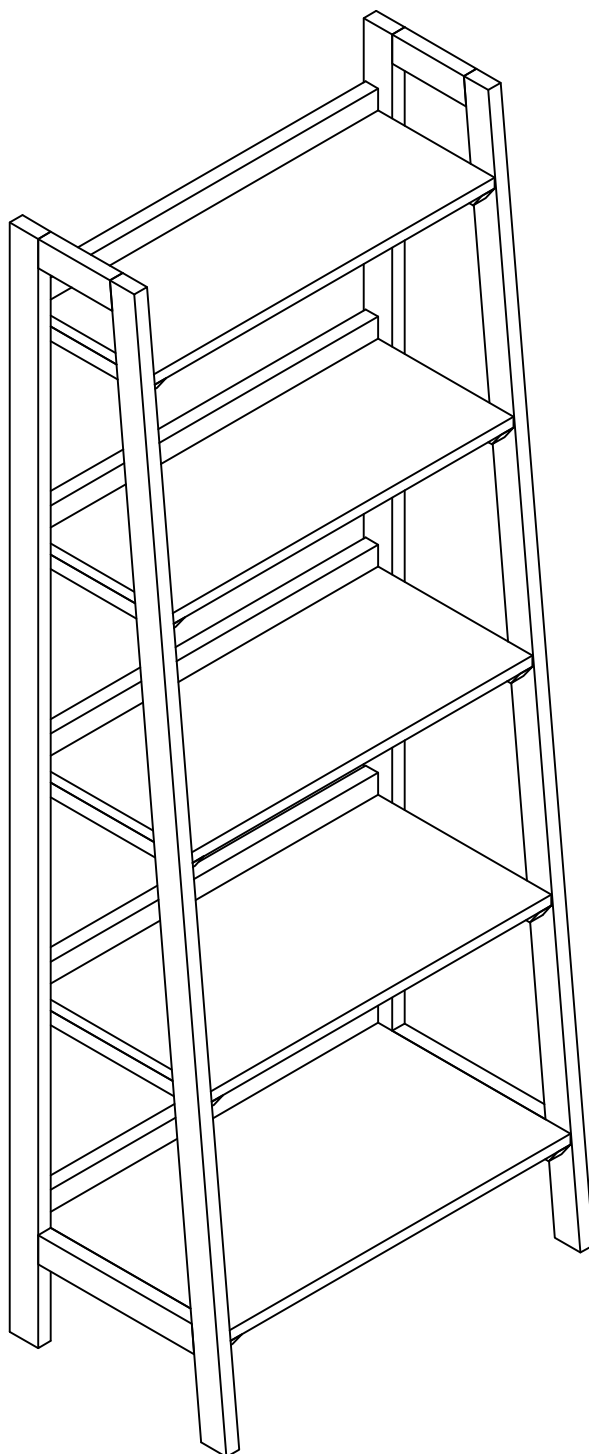
STEP 1:



STEP 2:



COMPLETED ASSEMBLY



LIMITED WARRANTY

WHAT IS COVERED

WHAT IS NOT COVERED