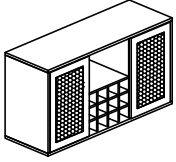


# ASSEMBLY INSTRUCTION

## CONSOLE WITH WINE RACK

**A** Console Body



1pc

**B** Side Leg



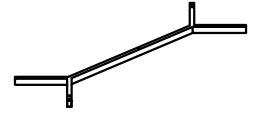
4pcs

**C** Middle Leg



1pc

**D** Cross Bar



1pc

**E** Bolt  
Ø1/4"x38mm



1pc

**F** Bolt  
Ø1/4"x15mm



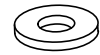
14pcs

**G** Lock Washer  
Ø1/4"x10mm



6pcs

**H** Flat Washer  
Ø1/4"x16mm



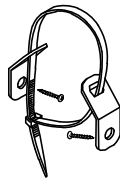
6pcs

**I** Allen Key  
M4

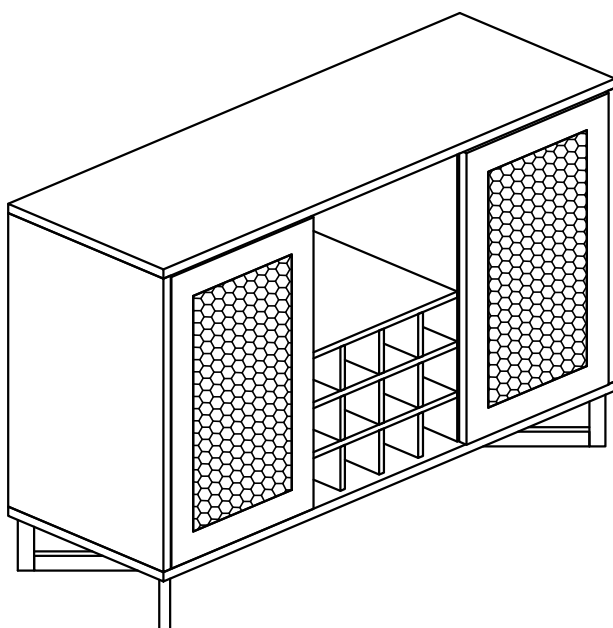


1pc

**J** Anti-Tipping Kit

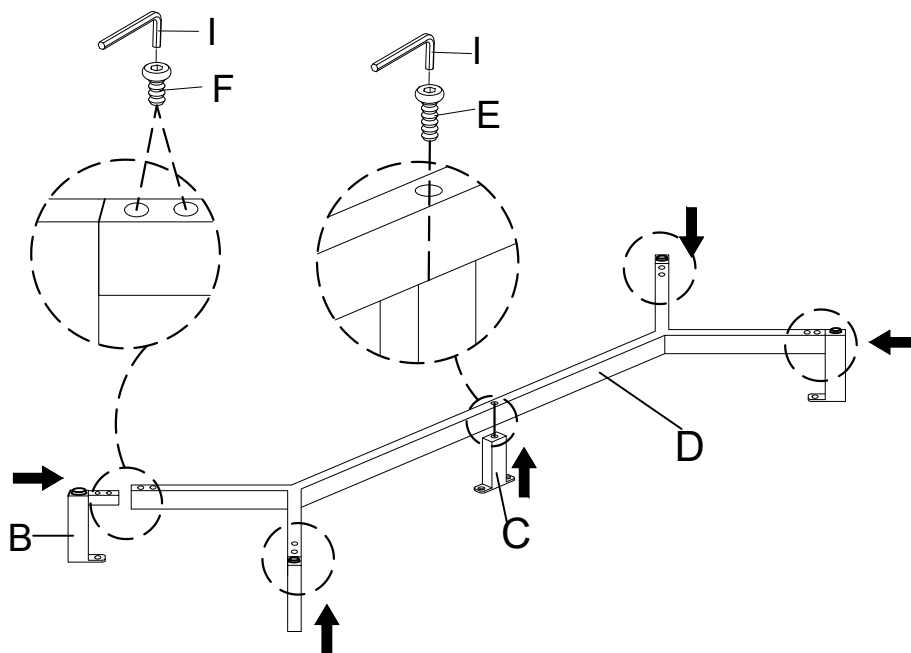


1set

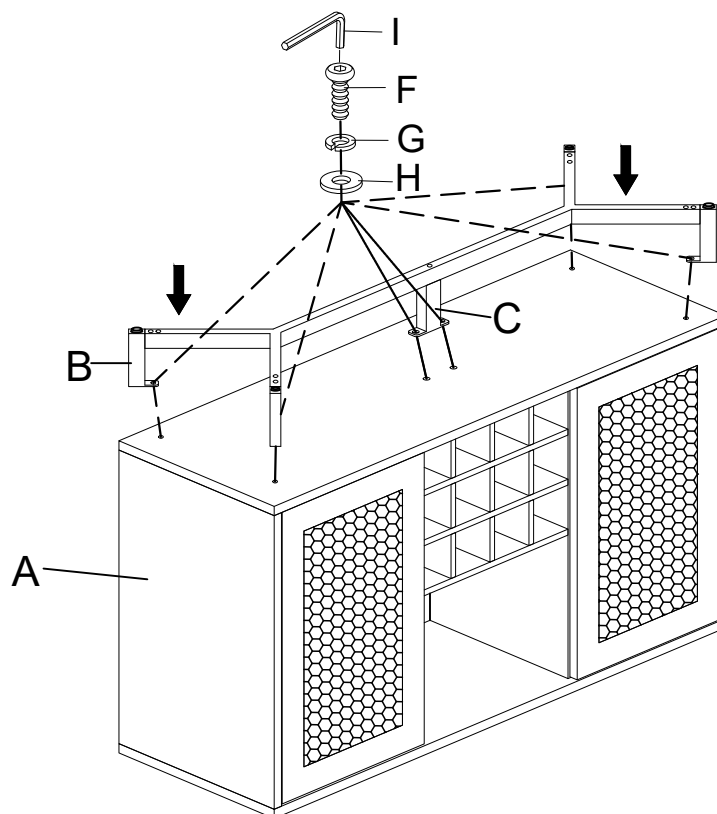


This page lists all the contents included in the box. Please take the time to identify the hardware as well as the individual components to this product. As you unpack and prepare for assembly, place the contents on a carpeted or padded area to protect them from damage.

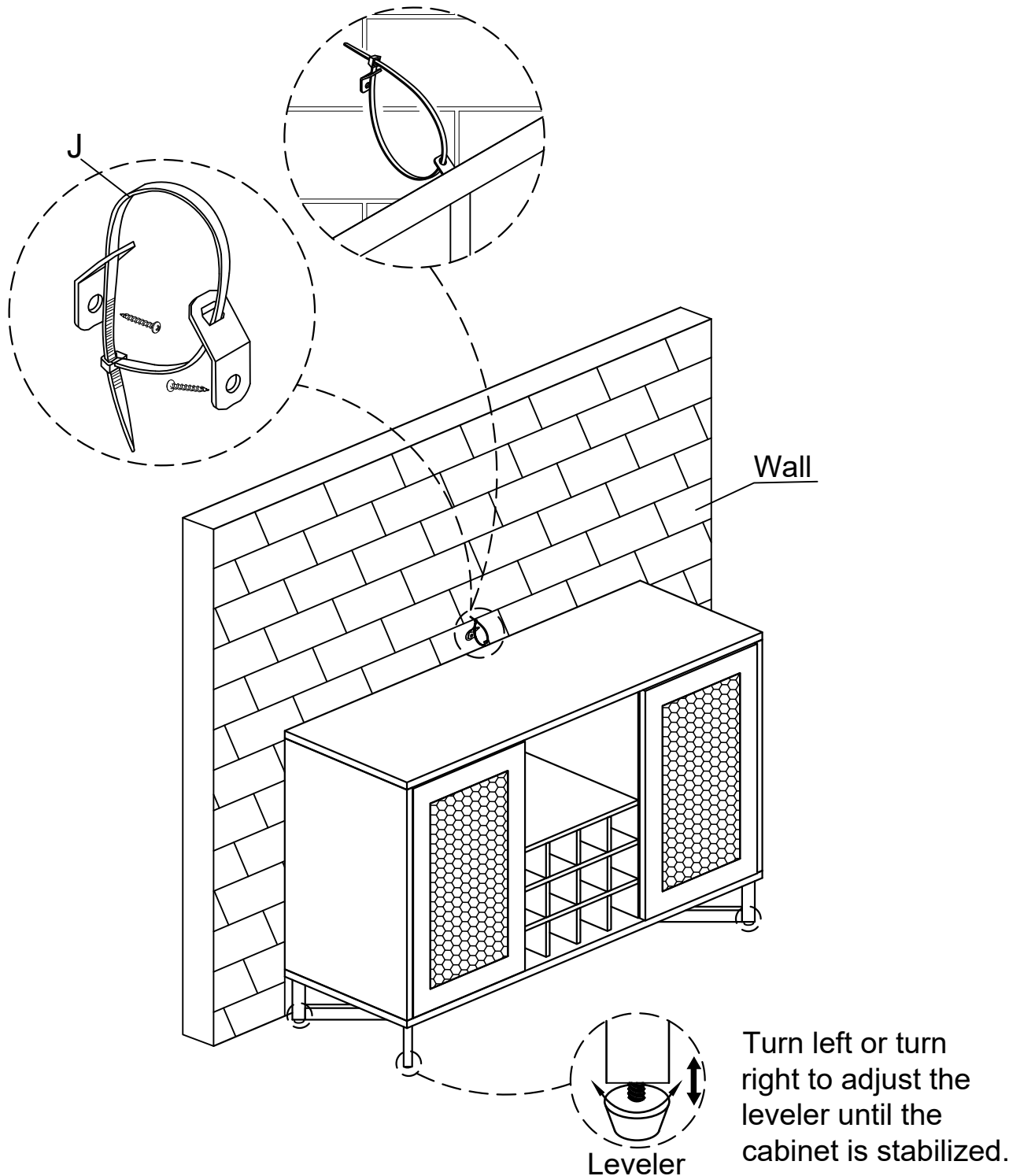
- 1** Attach Cross Bar (D) to Side Leg (B) & Middle Leg (C), using Bolt (F) & Bolt (E) by Allen Key (I) as below shown.



- 2** Attach Side Leg (B) & Middle Leg (C) to Console Body (A), using Bolt (F), Lock Washer (G) and Flat Washer (H) by Allen Key (I) as below shown.



- 3** Remark: there is a tip restraint kit provided on the back of this product. Please read the instruction thoroughly and install immediately when placed in home. To prevent tip over, the product must be attached to wall.



### Cleaning & Care

Treat surface with care. Surface is resistant to scratches but is not scratch resistant. Clean surfaces with a dry or damp soft cloth. Do not use abrasive cleaners. Hardware may loosen over time. Periodically check that all connections are tight.