

ASSEMBLY INSTRUCTION

NOTES:

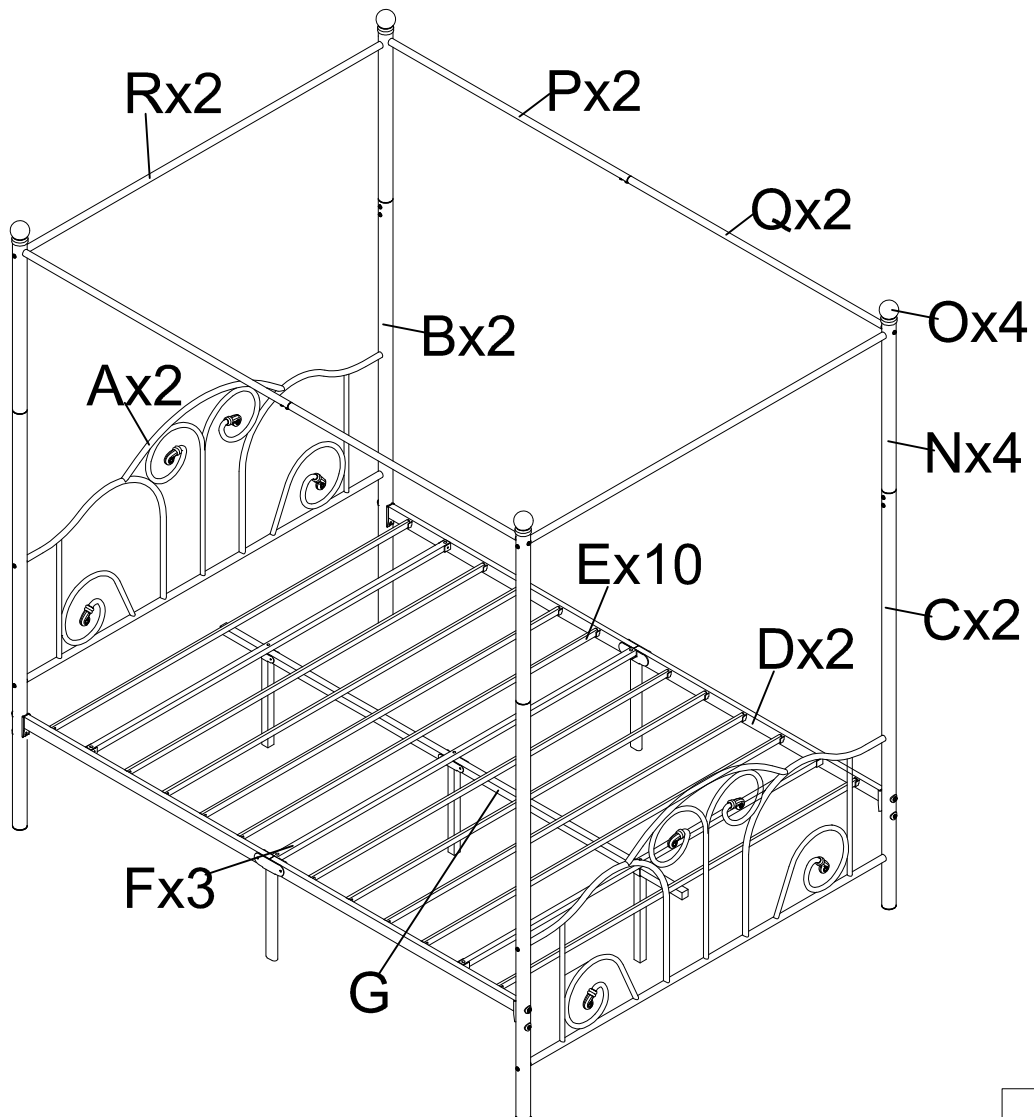
- Do not skip any step.
- Do not fully tight screws until all the bed parts are assembled.

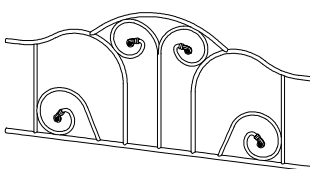

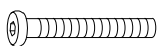
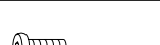




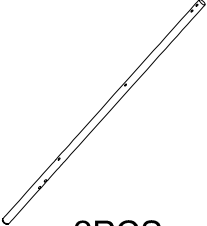
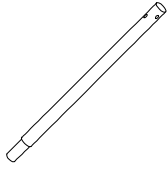
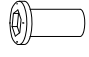

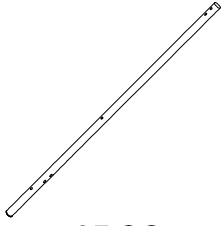
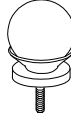
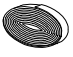
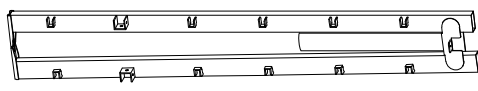
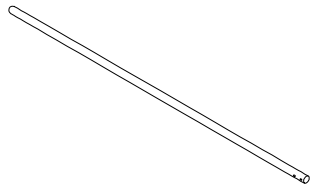
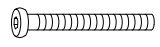
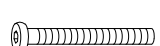
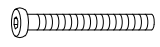

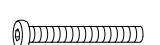

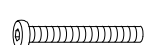

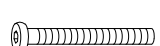
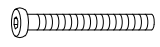
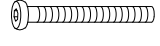
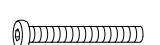

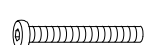

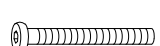
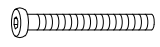
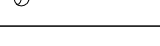
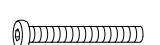

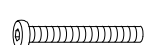


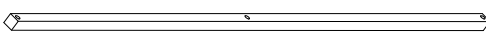
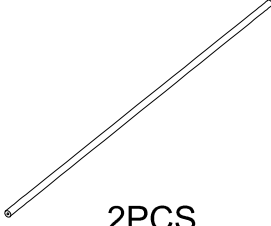
WARNING:

- WARNIND FOR YOUNG CHILDREN-This product contains small components,please ensure that they are kept away from small children while assembling.

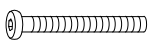


Warranty Information:

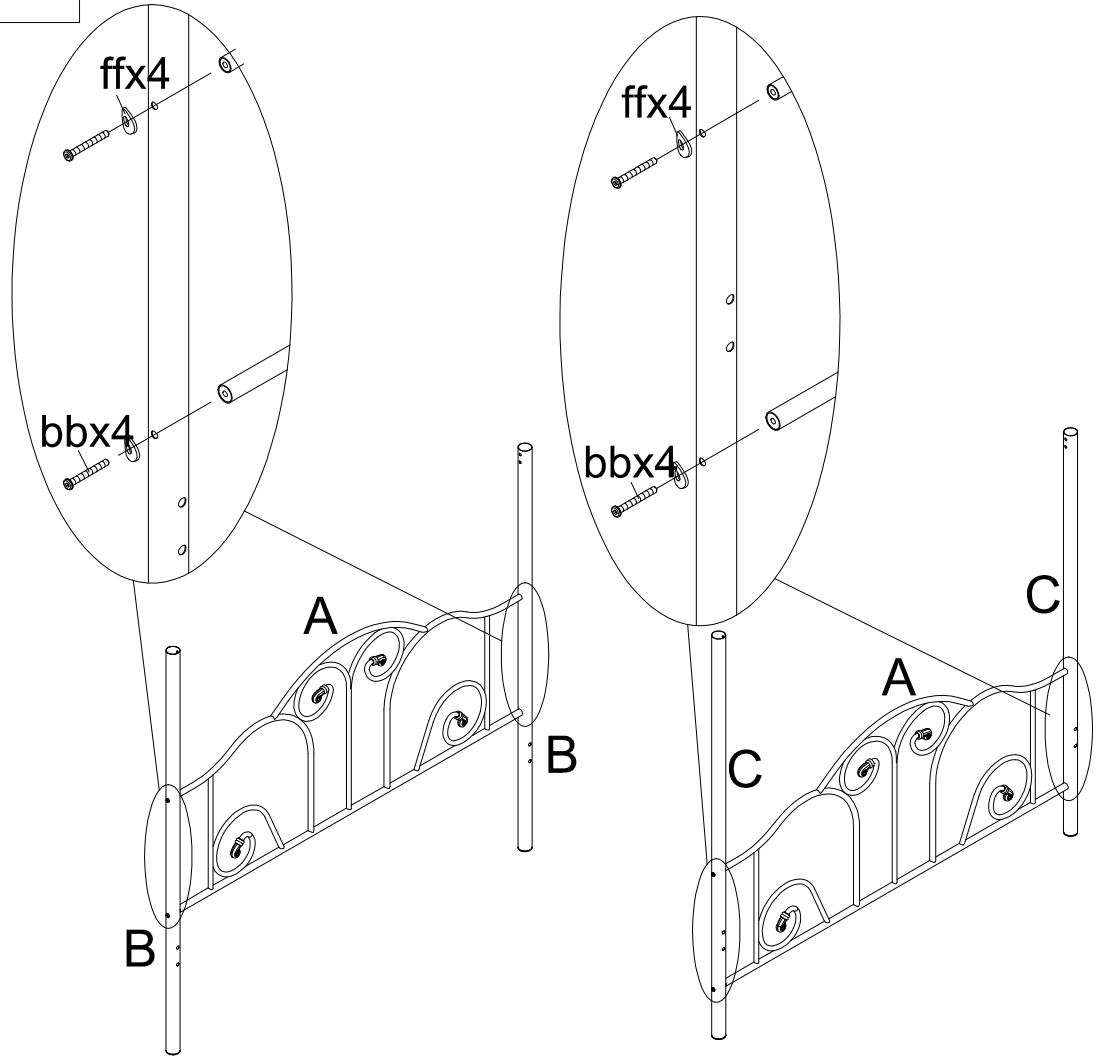
- We warranty this product to be free from defects in materials.This warranty covers one year from the date of original purchase.



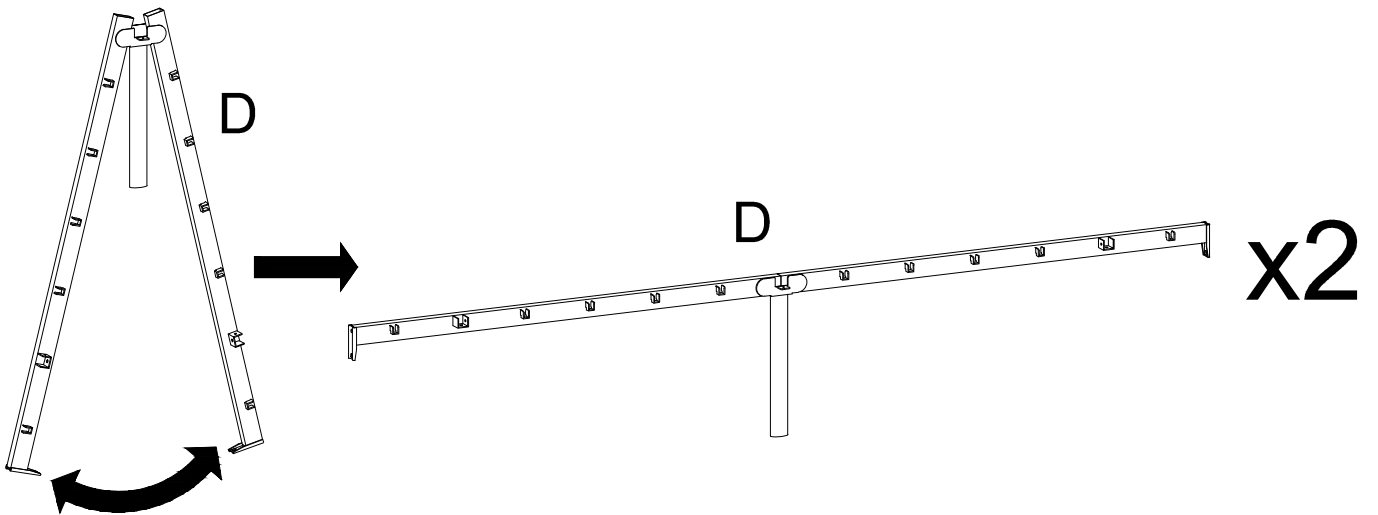
<p>A</p>  <p>2PCS</p>	<p>G</p>  <p>1PC</p>	aa	 M8x55	4																					
		bb	 M6x55	19																					
		cc	 M6x35	4																					
		dd	 M6x30	6																					
		ee	 M6x12	12																					
<p>B</p>	<p>N</p>	ff		24																					
 <p>2PCS</p>	 <p>4PCS</p>	gg		4																					
<p>C</p>	<p>O</p>	hh		2																					
 <p>2PCS</p>	 <p>4PCS</p>																								
<p>D</p>	<p>P</p>	ii		1																					
 <p>2PCS</p>	 <p>2PCS</p>																								
<p>E</p>	<p>Q</p>	<p>SPARE</p> <table border="1"> <tr> <td data-bbox="1173 1288 1252 1355">aa</td> <td data-bbox="1252 1288 1484 1355">  </td> <td data-bbox="1484 1288 1572 1355">1</td> </tr> <tr> <td data-bbox="1173 1355 1252 1422">bb</td> <td data-bbox="1252 1355 1484 1422">  </td> <td data-bbox="1484 1355 1572 1422">1</td> </tr> <tr> <td data-bbox="1173 1422 1252 1489">cc</td> <td data-bbox="1252 1422 1484 1489">  </td> <td data-bbox="1484 1422 1572 1489">1</td> </tr> <tr> <td data-bbox="1173 1489 1252 1556">dd</td> <td data-bbox="1252 1489 1484 1556">  </td> <td data-bbox="1484 1489 1572 1556">1</td> </tr> <tr> <td data-bbox="1173 1556 1252 1624">ee</td> <td data-bbox="1252 1556 1484 1624">  </td> <td data-bbox="1484 1556 1572 1624">1</td> </tr> <tr> <td data-bbox="1173 1624 1252 1691">ff</td> <td data-bbox="1252 1624 1484 1691">  </td> <td data-bbox="1484 1624 1572 1691">1</td> </tr> <tr> <td data-bbox="1173 1691 1252 1758">gg</td> <td data-bbox="1252 1691 1484 1758">  </td> <td data-bbox="1484 1691 1572 1758">1</td> </tr> </table>			aa		1	bb		1	cc		1	dd		1	ee		1	ff		1	gg		1
aa					1																				
bb					1																				
cc					1																				
dd					1																				
ee					1																				
ff					1																				
gg		1																							
 <p>10PCS</p>	 <p>2PCS</p>																								
<p>F</p>	<p>R</p>																								
 <p>3PCS</p>	 <p>2PCS</p>																								
		<div style="border: 1px solid black; padding: 5px; display: inline-block;">2/7</div>																							

Step 1

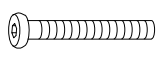
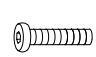

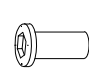
bb		M6x55	8
ff			8
hh			1

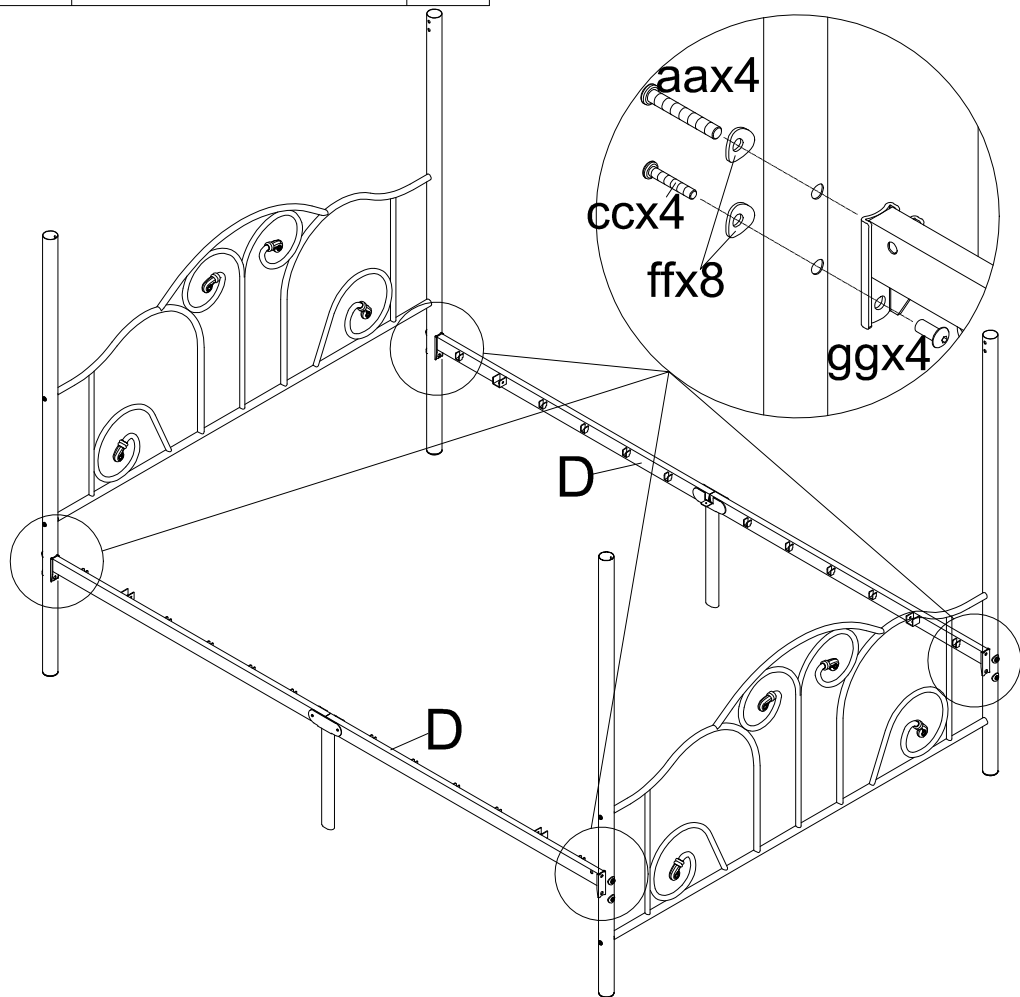


Step 2

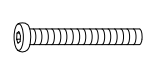



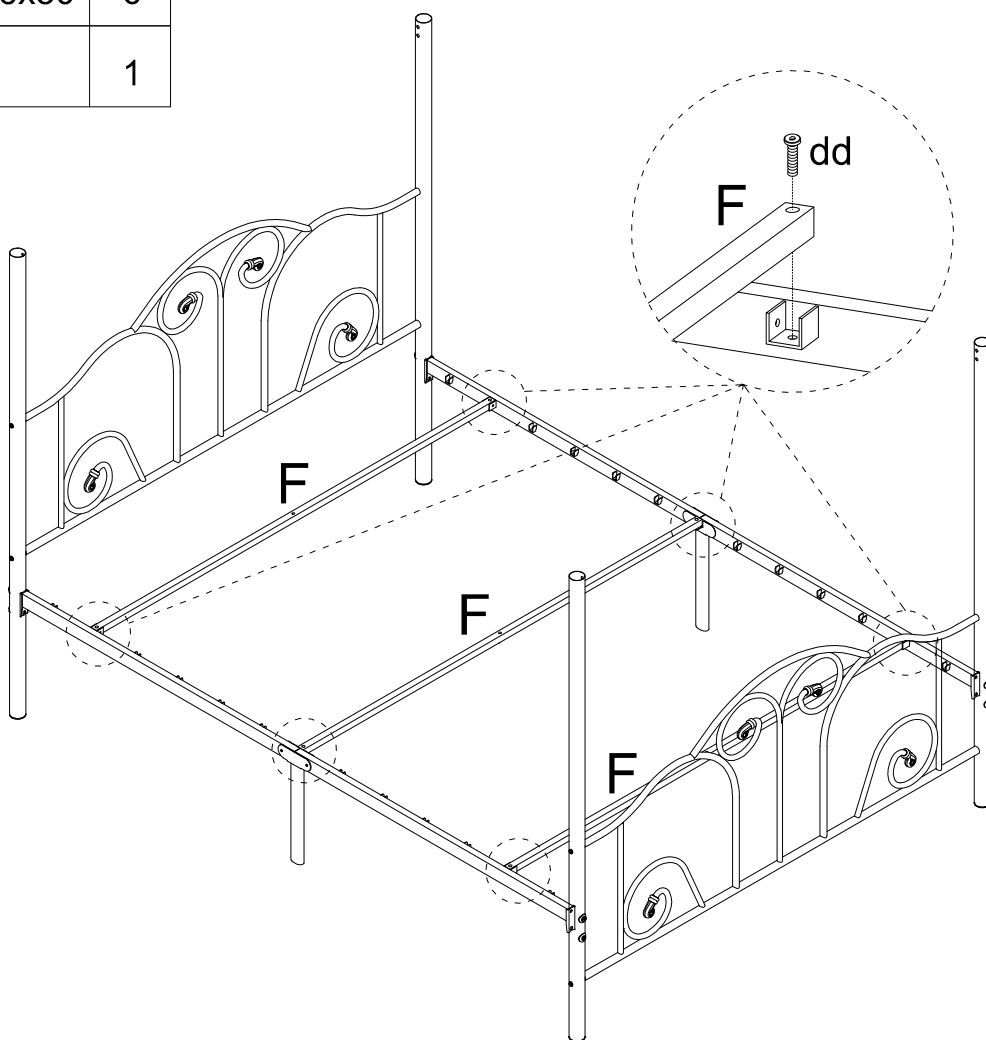
Step 3

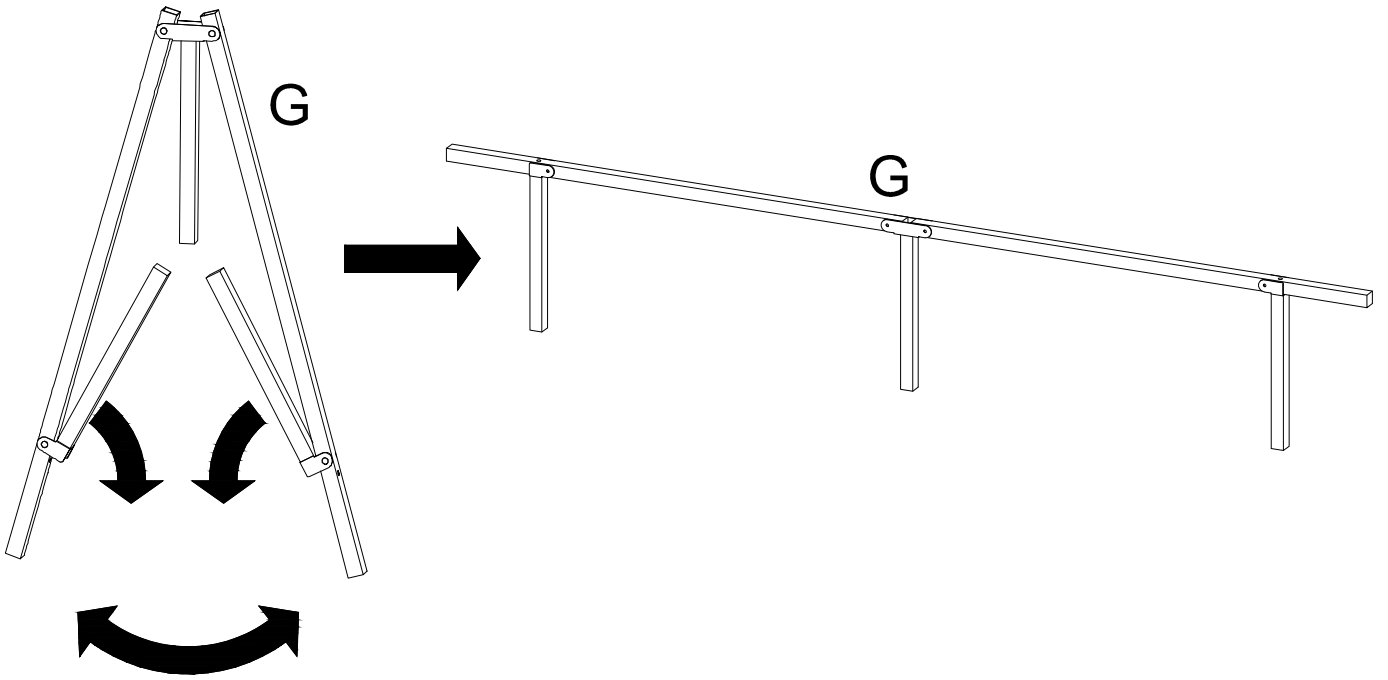
aa		M8x55	4
cc		M6x35	4
ff			8
gg			4

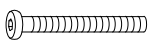

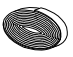


Step 4

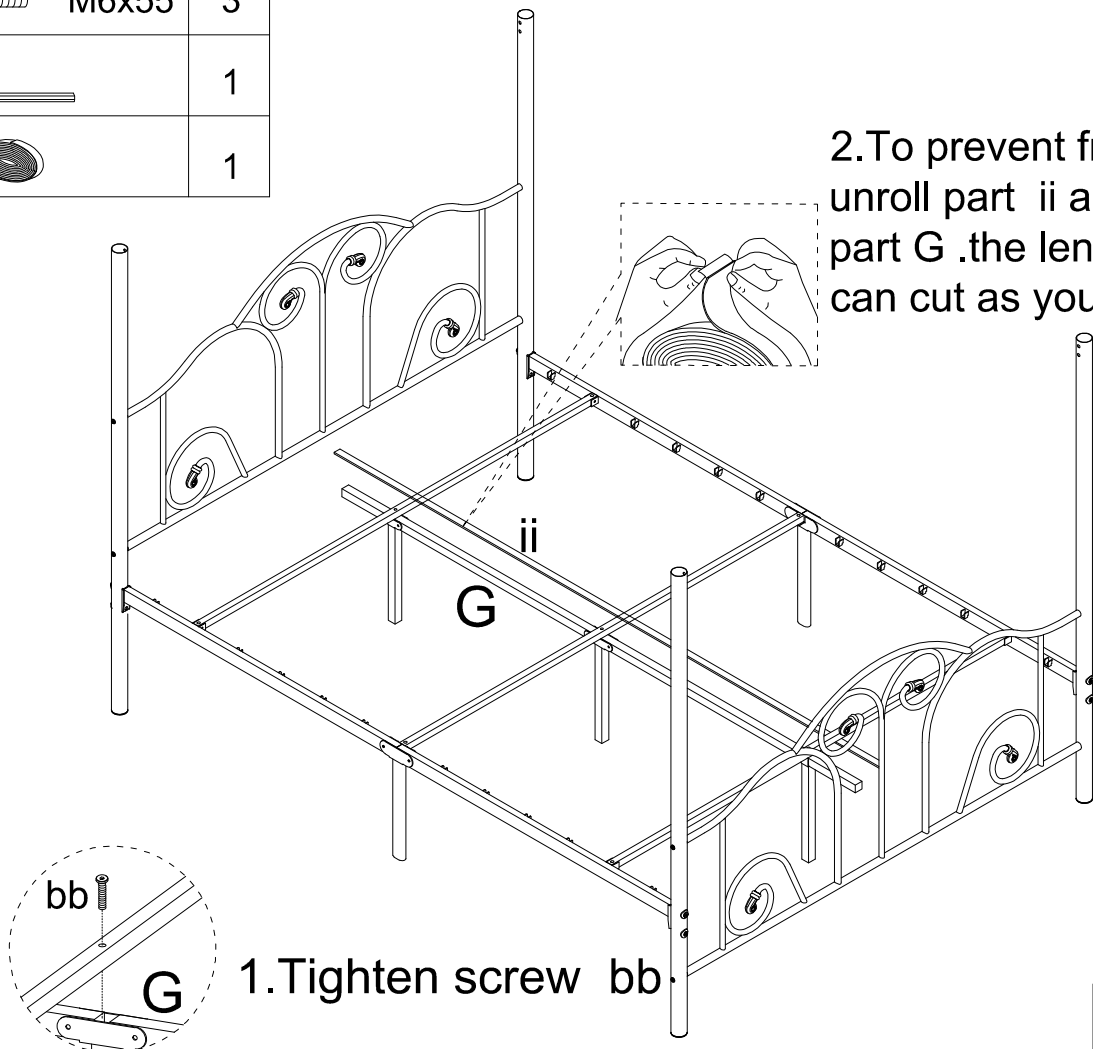
dd		M6x30	6
hh			1



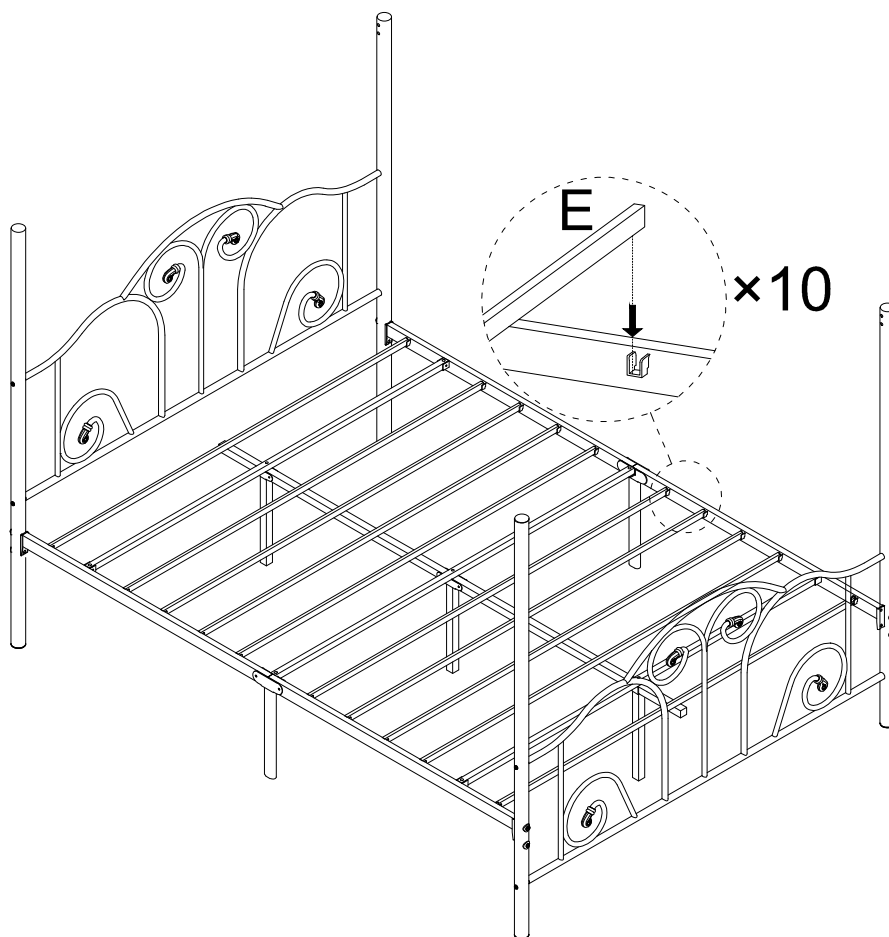


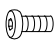

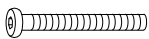

bb		M6x55	3
hh			1
ii			1

2.To prevent friction noise, unroll part ii and fit it on part G .the length of part ii can cut as you will.



1.Tighten screw bb.



ee		M6x12	12	ff		8
bb		M6x55	8			
hh			1			

