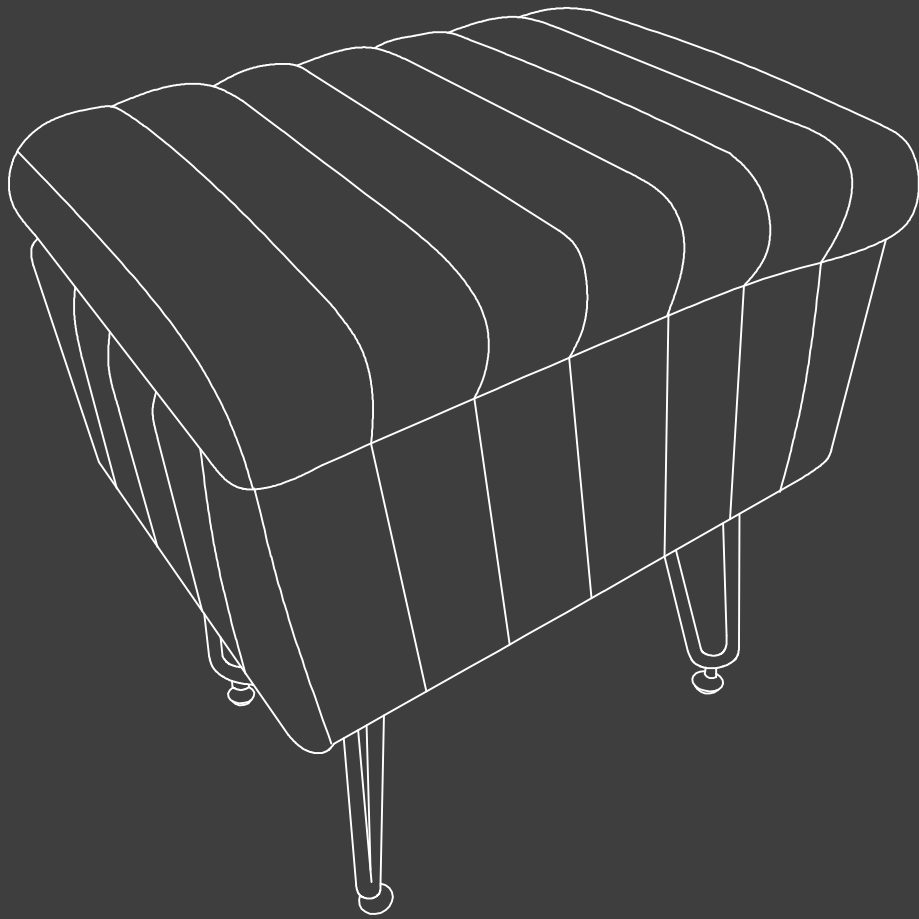


Vanity Stool Chair

Instruction Manual

C-ASM-K253

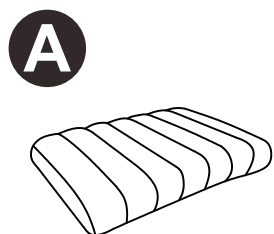


 EST 9:00AM--17:00PM

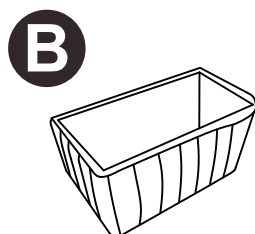
 HJ-Customer-Service@outlook.com

 (909)637-7665 | (909)637-7593

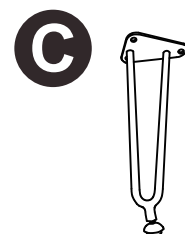
1 Component List



x1

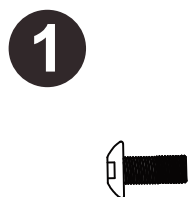


x1



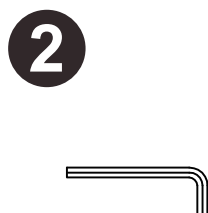
x4

2 Hardware



x12

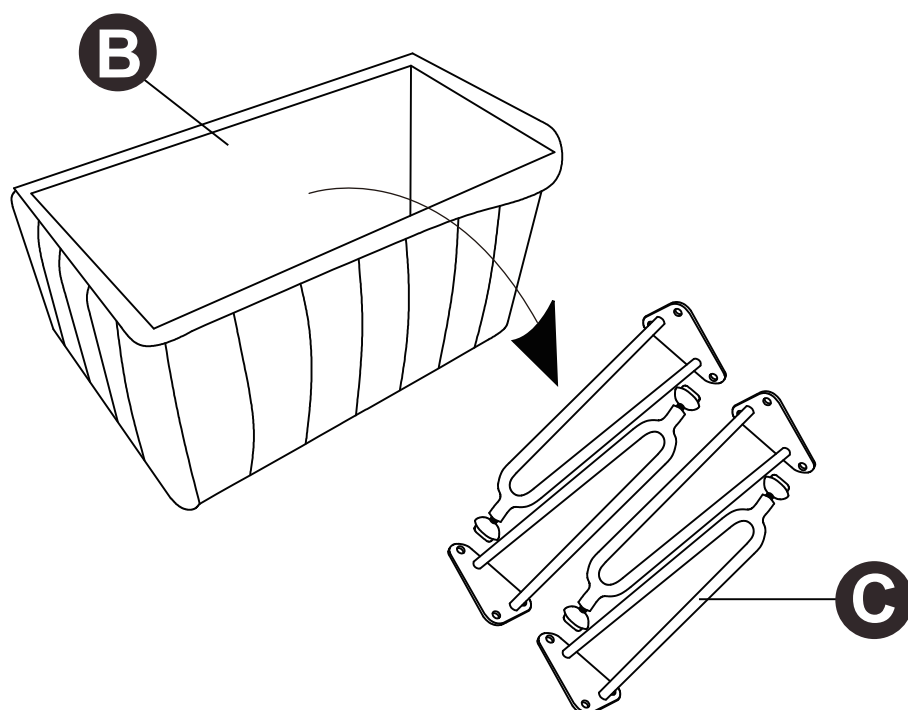
M6*14mm



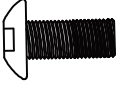

x1

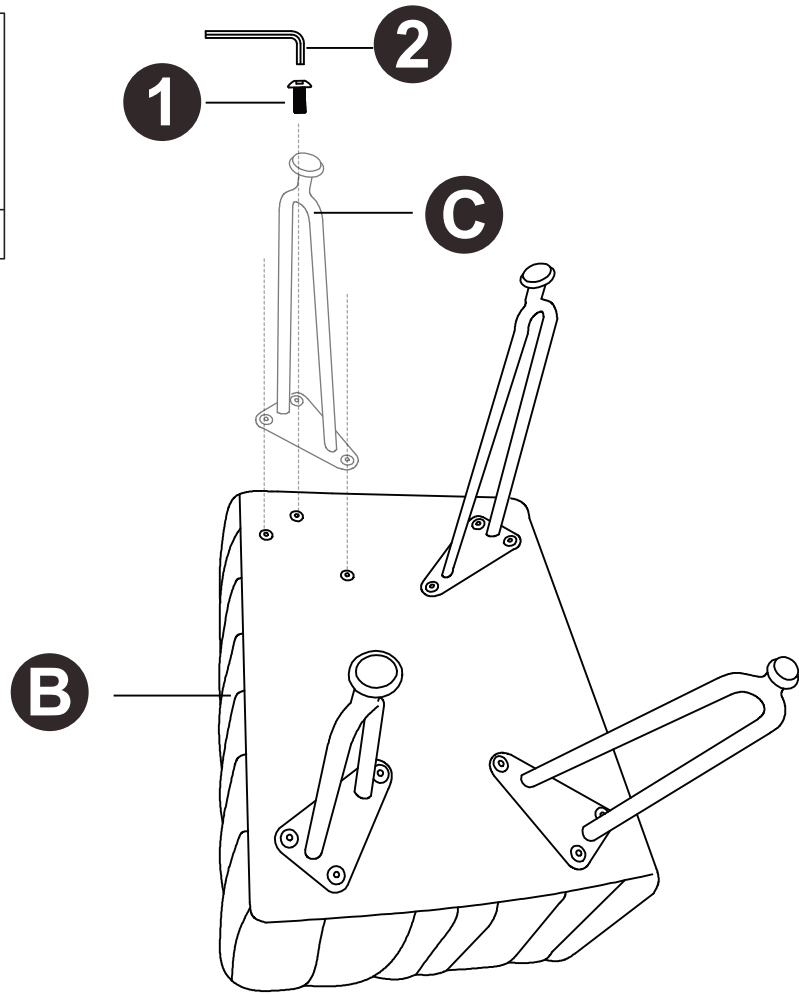
M6

Step 1

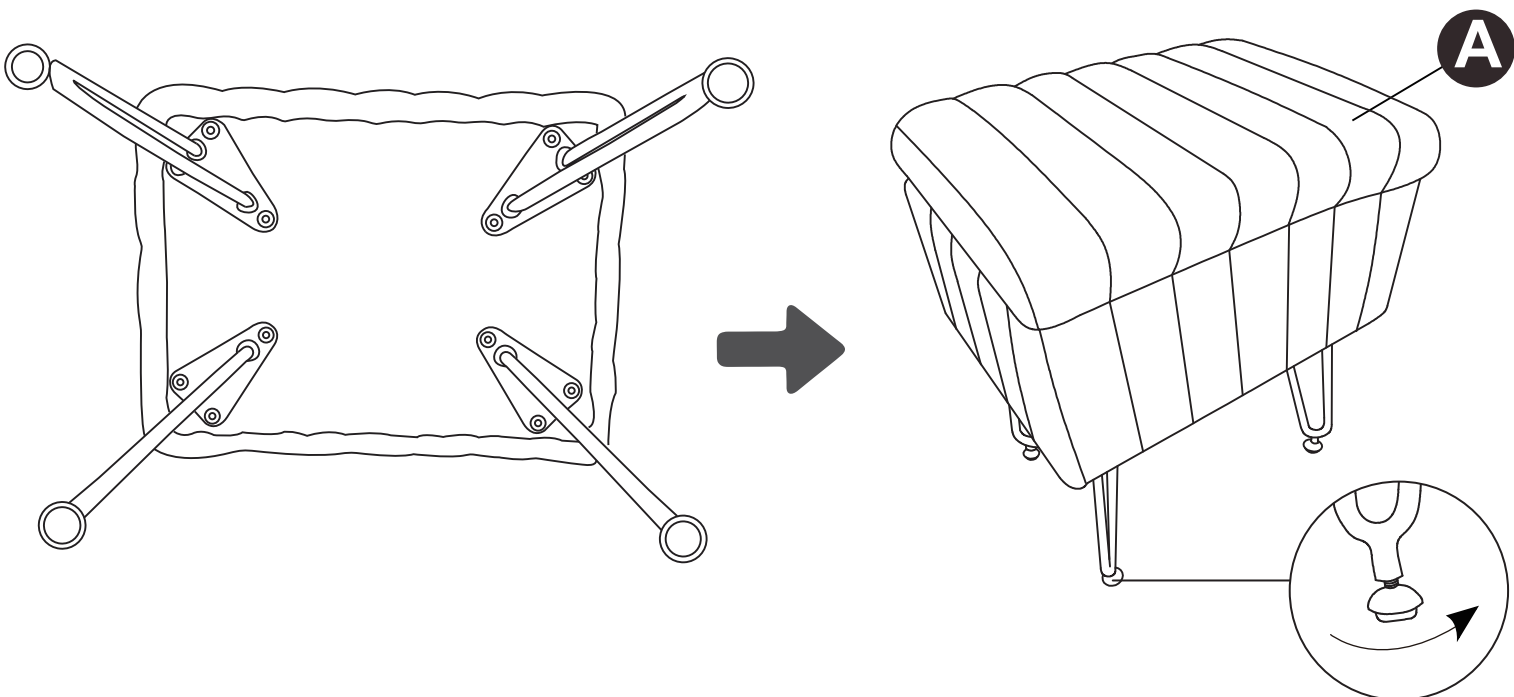


Step 2

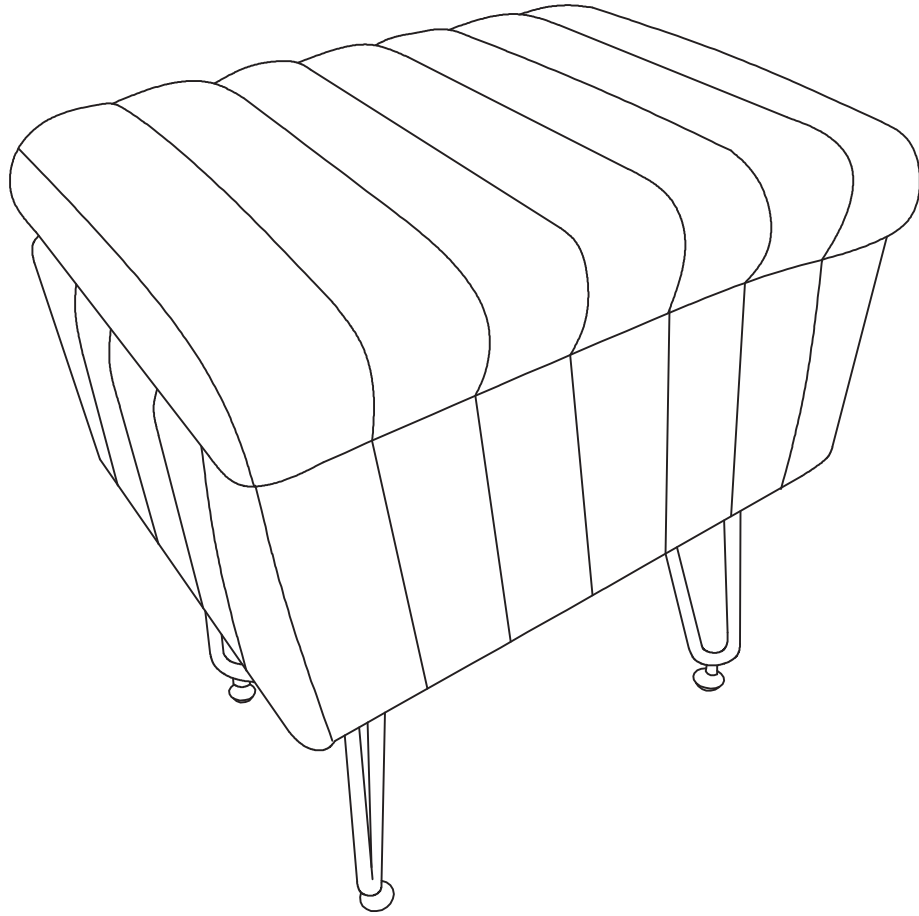
	
M6*14mm	M6
①x12	②x1



Step 3



NOTE: Before using , make sure that all bolts are fully tightened.



Technical Support

(909)637-7665 | (909)637-7593

Other Info

HJ-Customer-Service@outlook.com

Thank you for choosing this product. We strive to provide you with the best quality products and service in the industry. Should you have any issues, please don't hesitate to contact us.