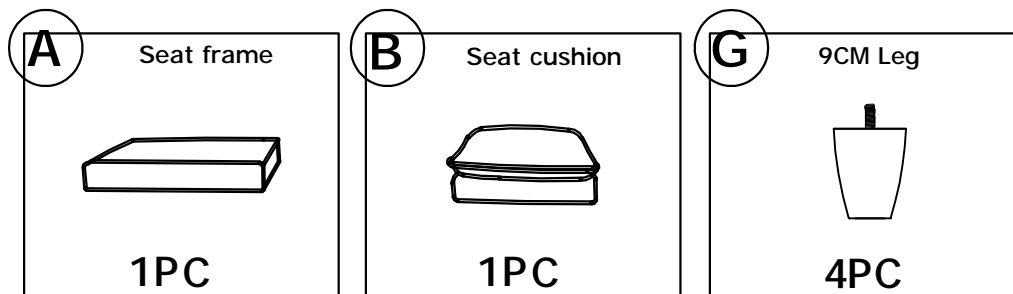


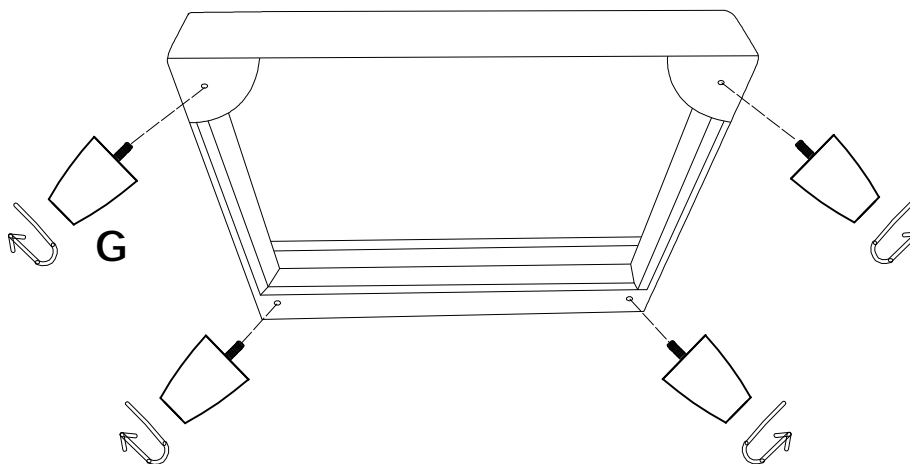
IF YOU BUY A OTTOMAN
please follow below assembly instruction

Parts incidued

Parts List (BOX 1)



STEP 1: Assemble the Legs(G) on the sofa.



STEP 2: The cushion is packaged by vacuum compression. After cutting the package, it rebounds quickly within 4 hours. If the fabric has wrinkles, it will basically disappear after standing for 72 hours

