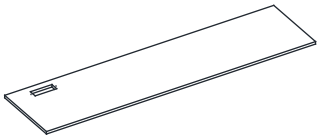
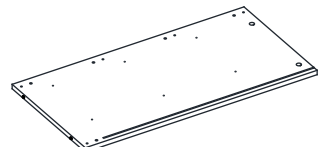
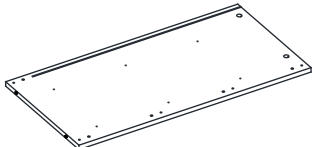
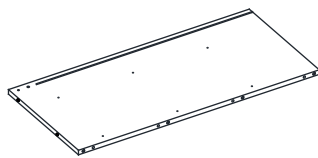
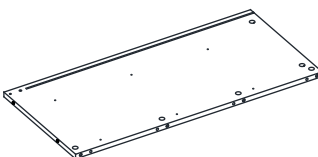
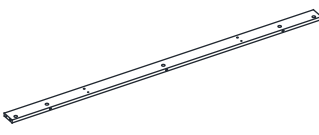
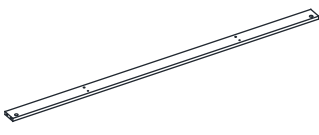

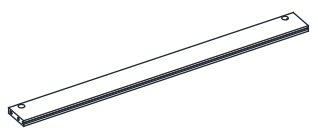

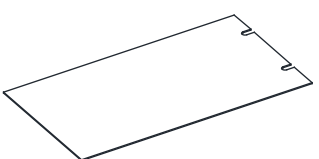
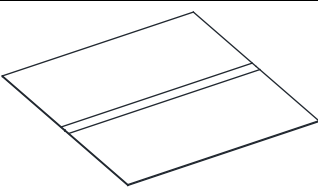
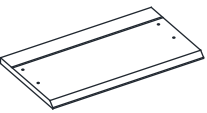
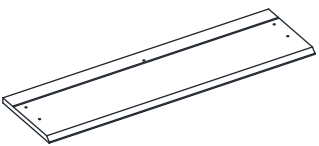
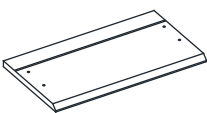

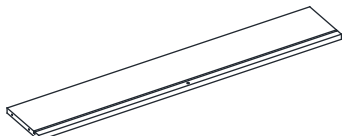
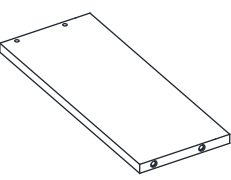
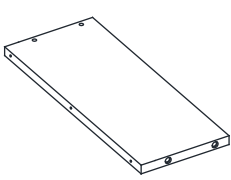

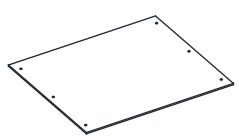
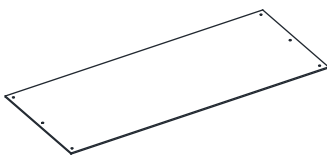
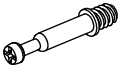


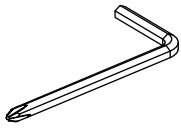

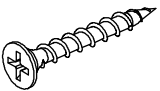

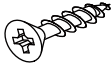

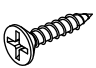
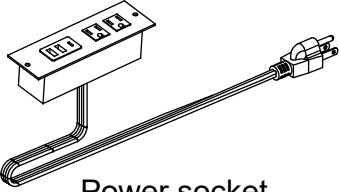
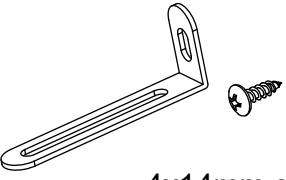
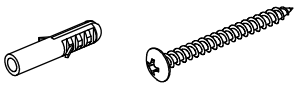
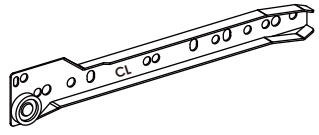
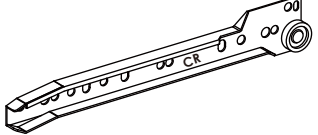
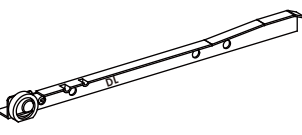
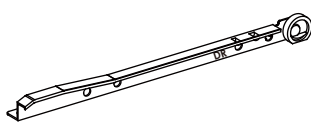

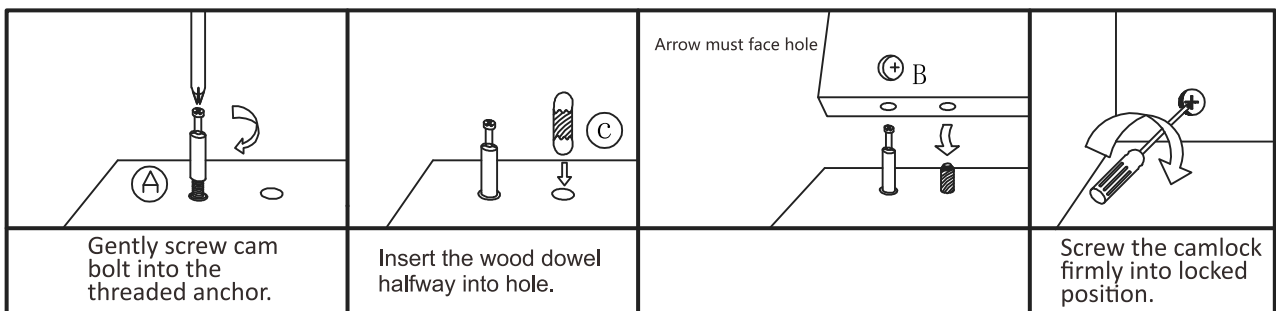


# Parts and Operation Elements


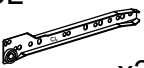
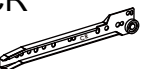
			
Top board	Left side panel	Right side panel	Left partition
① 1pc	② 1pcs	③ 1pcs	④ 1pc
			
Right partition	Top support bar	Middle/bottom support bar	Left rear lower support rod
⑤ 1pcs	⑥ 1pc	⑦ 3pc	⑧ 1pc
			
Middle rear lower support rod	Right rear lower support rod	Left/Right back board	Middle back board
⑨ 1pc	⑩ 1pc	⑪ 2pcs	⑫ 1pc
			
Left drawer panel	Middle drawer panel	Right drawer panel	Left/right drawer rear panel
⑬ 3pcs	⑭ 3pcs	⑮ 3pcs	⑯ 6pcs
			
Middle drawer rear panel	Drawer left panel	Drawer right panel	Drawer bottom support rod
⑰ 3pcs	⑱ 9pcs	⑲ 9pcs	⑳ 3pcs
			
Left/right drawer base plate	Middle drawer bottom plate		
㉑ 6pcs	㉒ 3pcs		

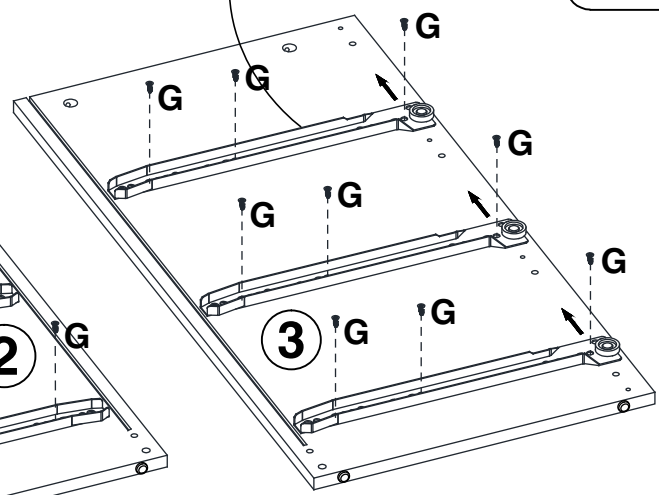
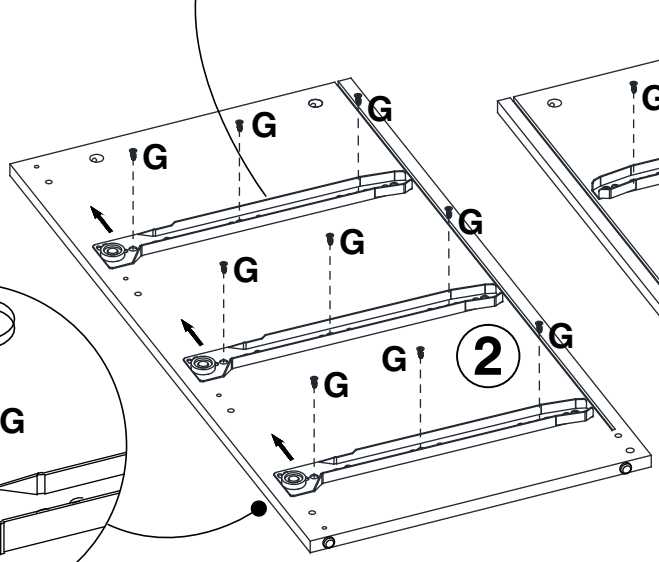
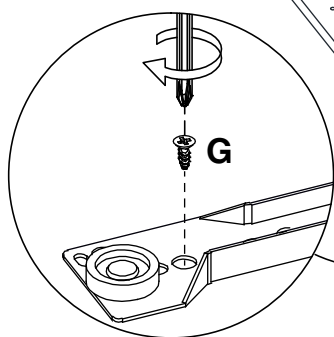
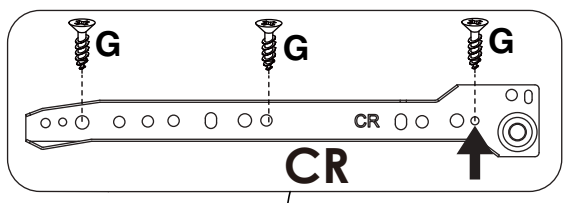
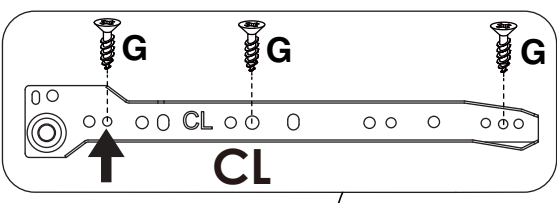
# Hardware

			
<b>A</b> <b>72+2pcs</b>	<b>B</b> <b>72+2pcs</b>	<b>C</b> <b>30+2pcs</b>	<b>D</b> <b>1pc</b>
			
<b>E</b> <b>72+2pcs</b>	<b>F</b> <b>39+2pcs</b>	<b>G</b> <b>108+2pcs</b>	<b>H</b> <b>12+2pcs</b>
			
<b>J</b> <b>12+2pcs</b>	<b>K</b> <b>2pcs</b>	<b>L</b> <b>1pc</b>	
			
<b>M</b> <b>2set</b>		<b>CL</b> <b>9pcs</b>	<b>CR</b> <b>9pcs</b>
			
<b>DL</b> <b>9pcs</b>	<b>DR</b> <b>9pcs</b>	THE SPARE BAG INCLUDED EXTRA HARDWARE FOR DAMAGED OR MISSING SMALL HARDWARE WHILE YOU ARE ASSEMBLING.	

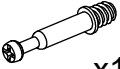


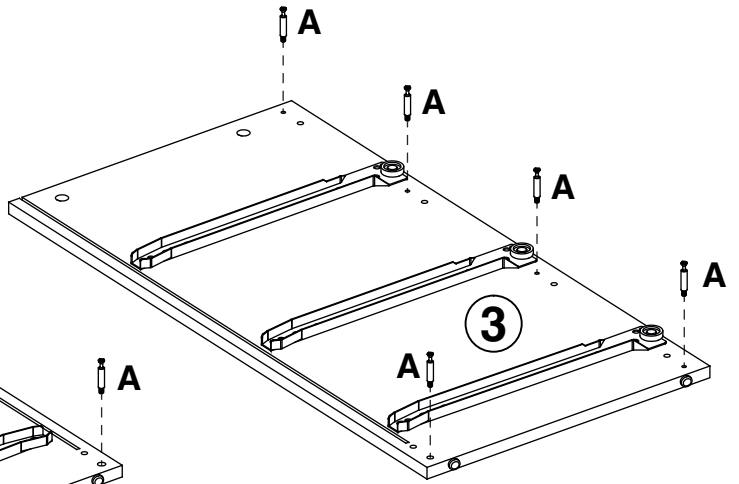
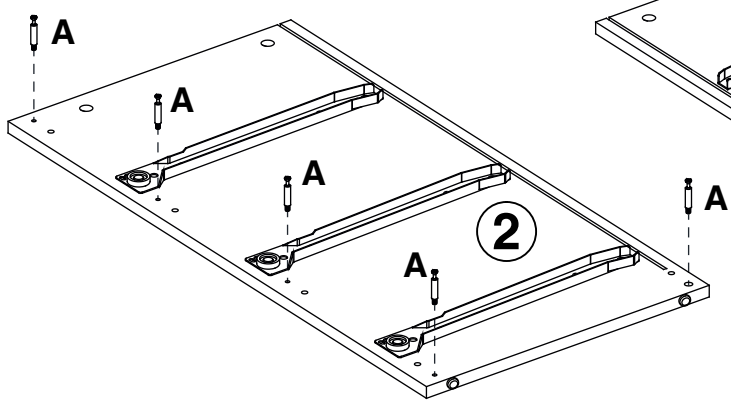
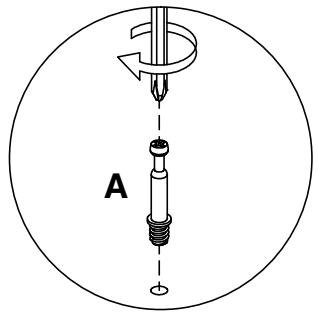
1

- G  x18
- CL  x3
- CR  x3

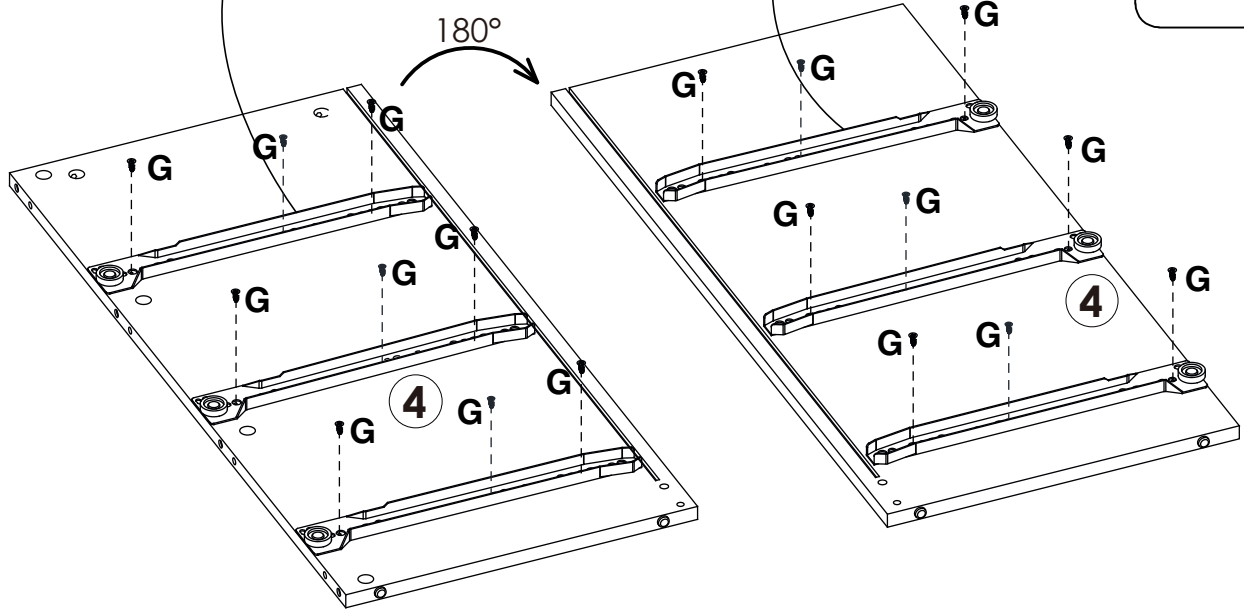
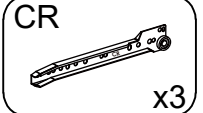
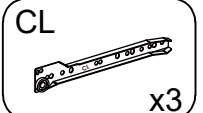
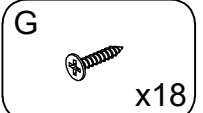
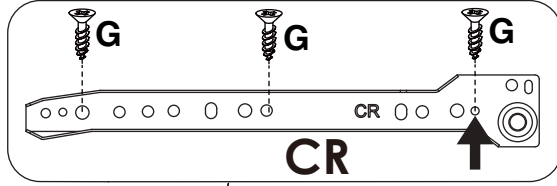
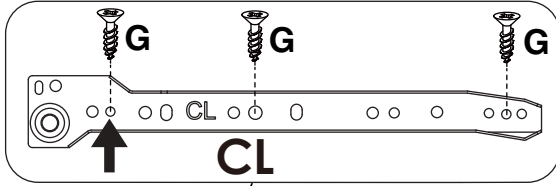


2

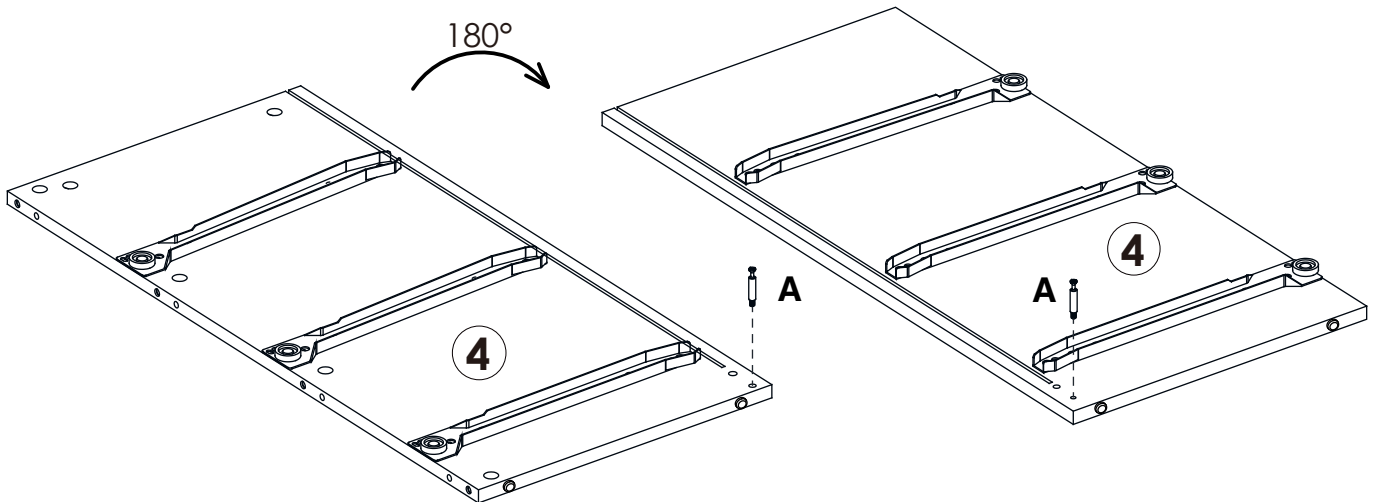
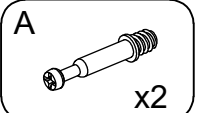
- A  x10



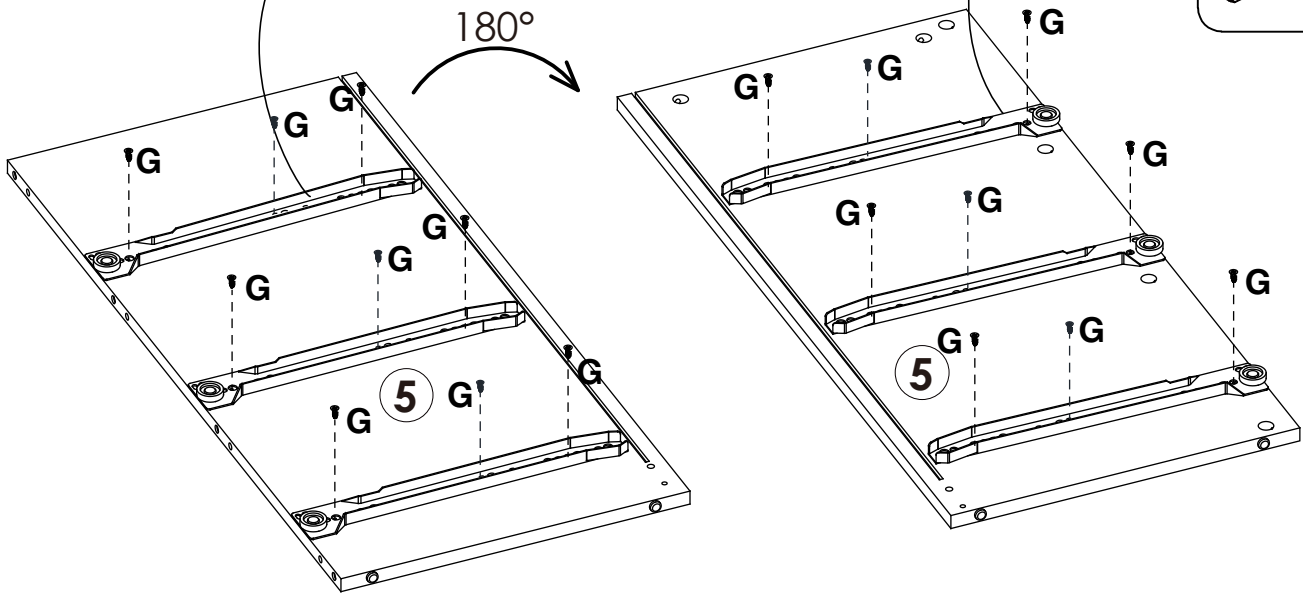
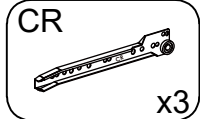
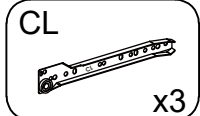
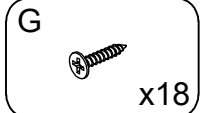
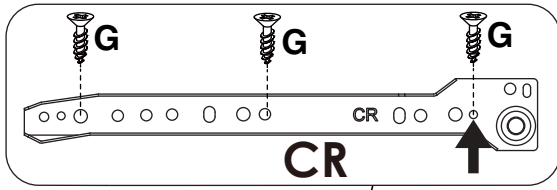
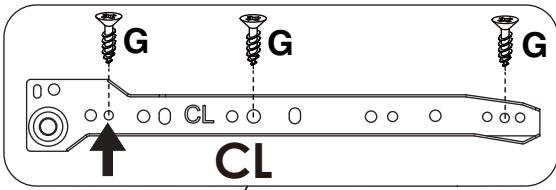
3



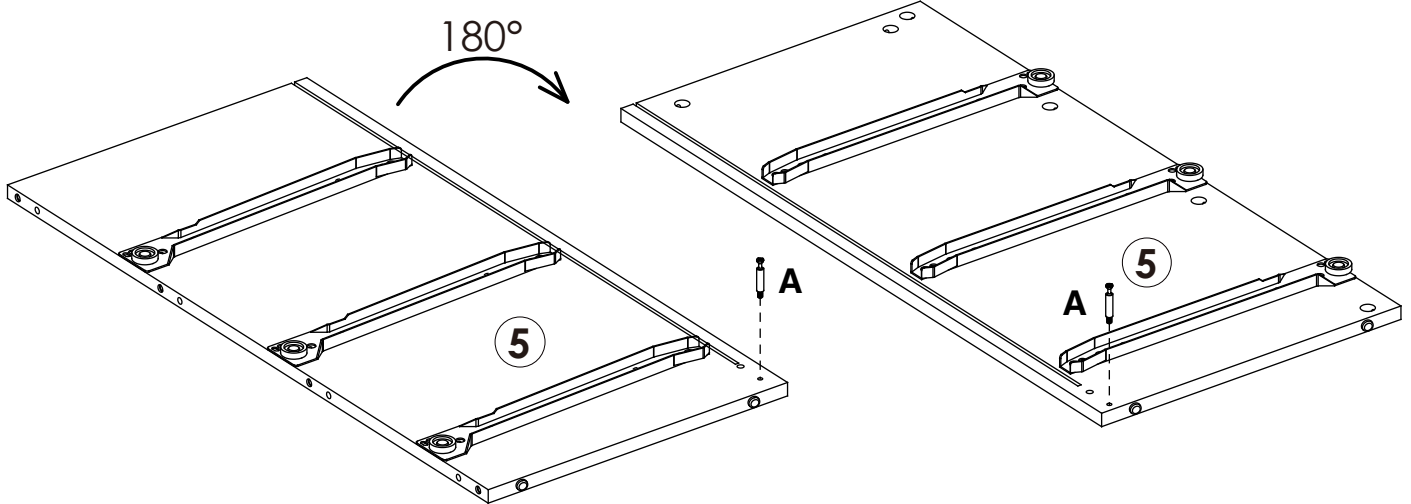
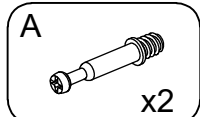
4



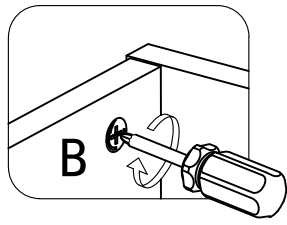
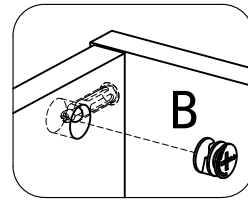
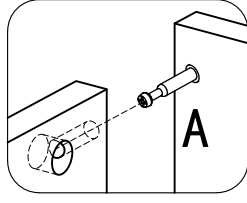
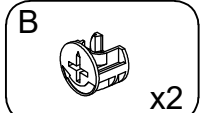
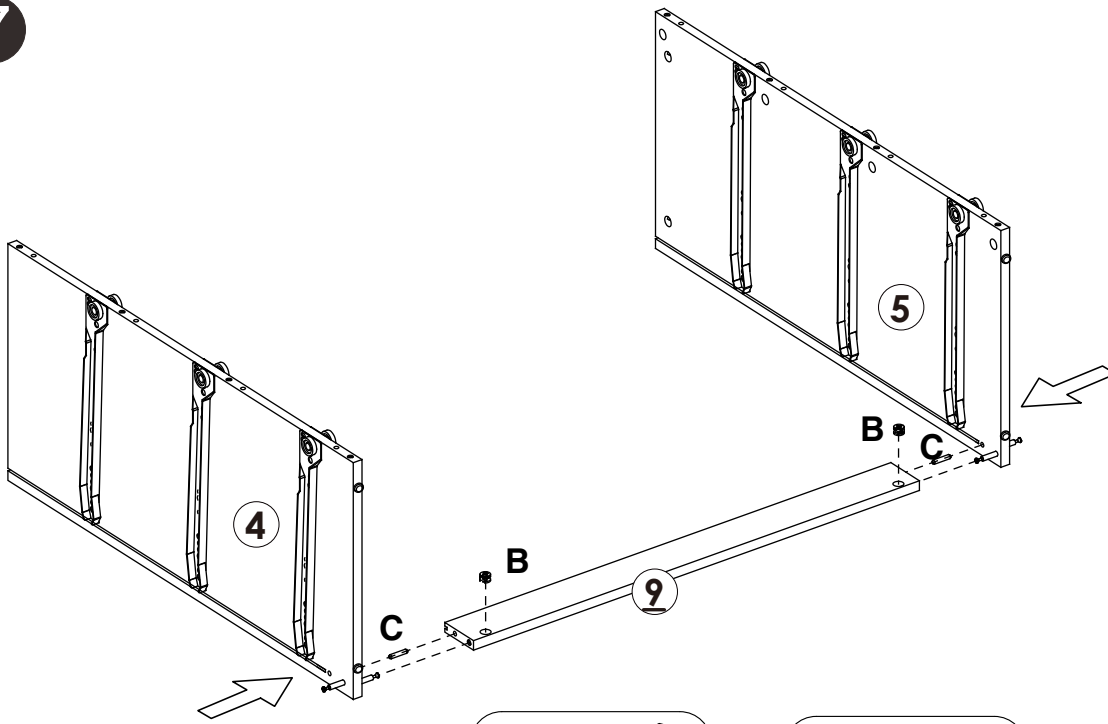
5



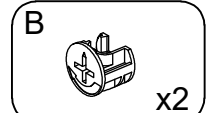
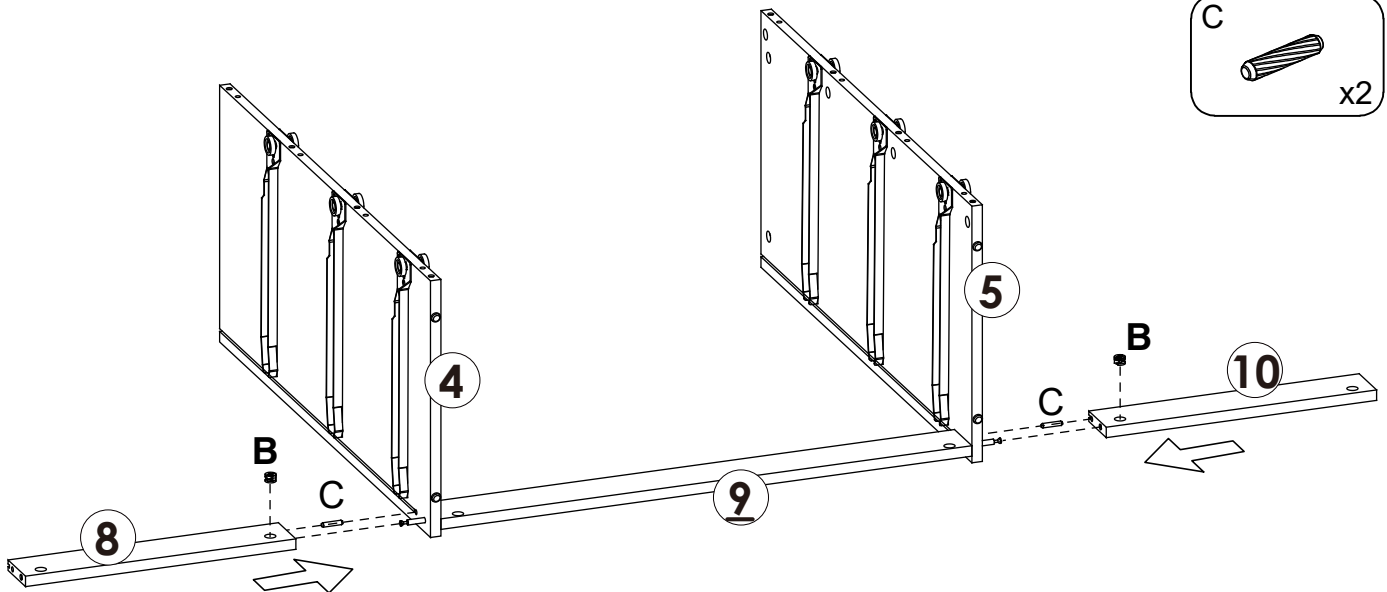
6



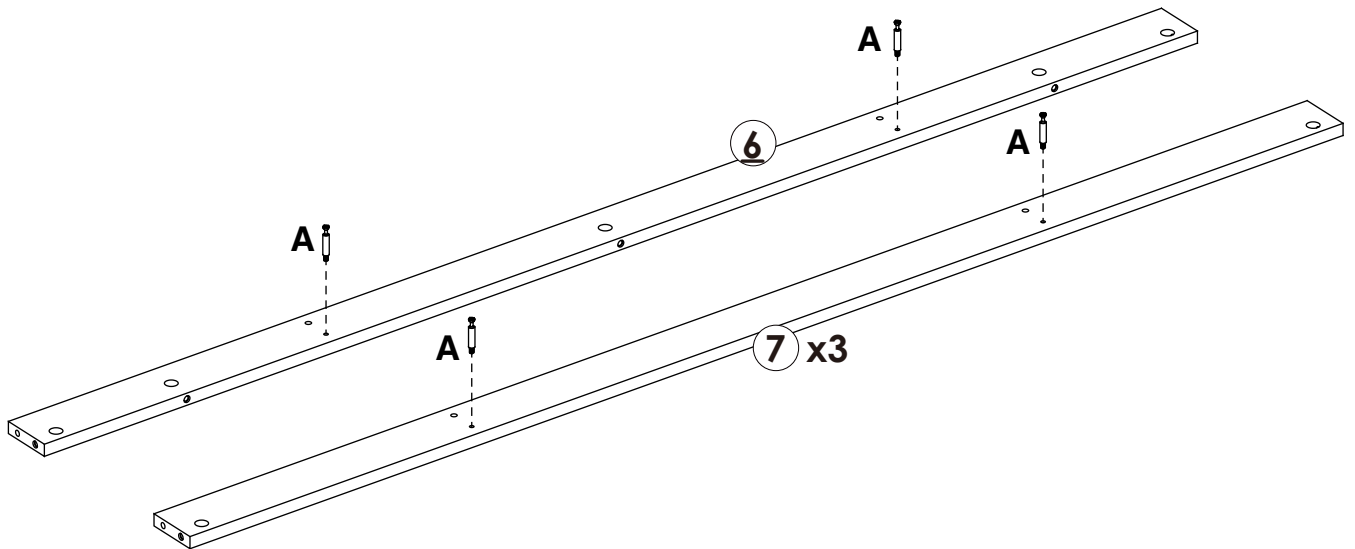
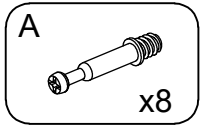
7



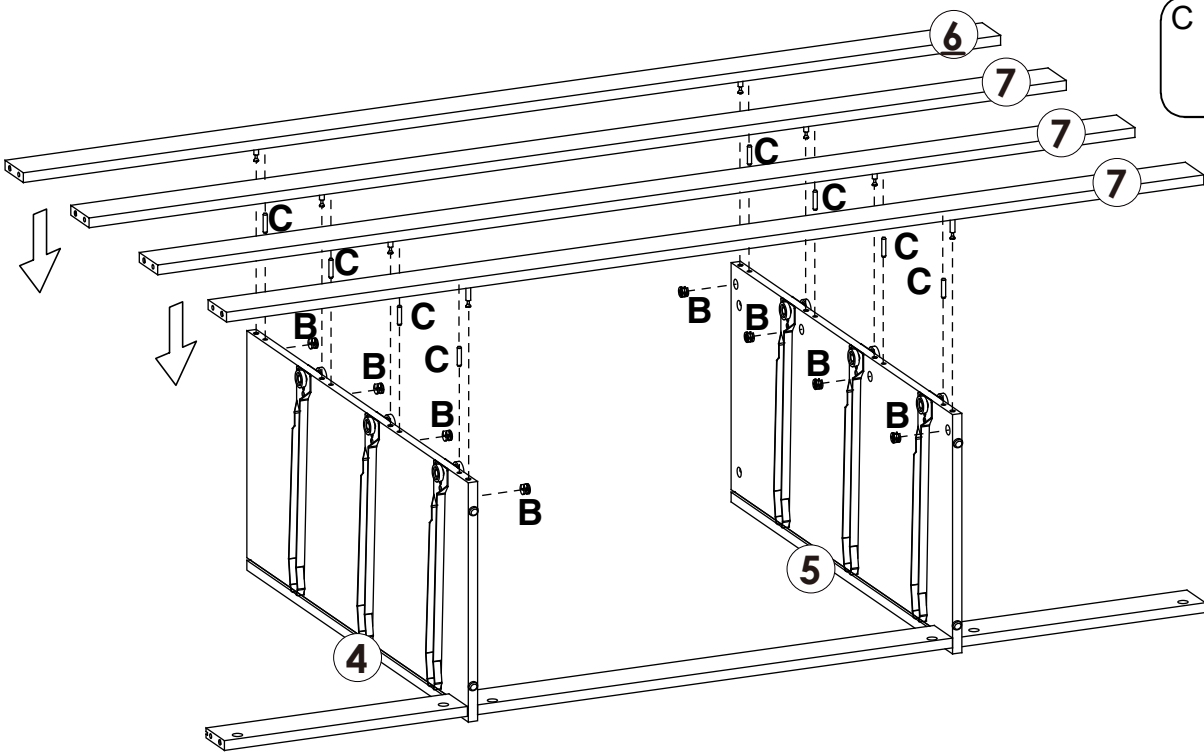
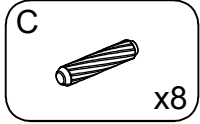
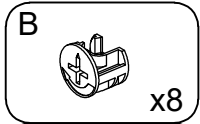
8



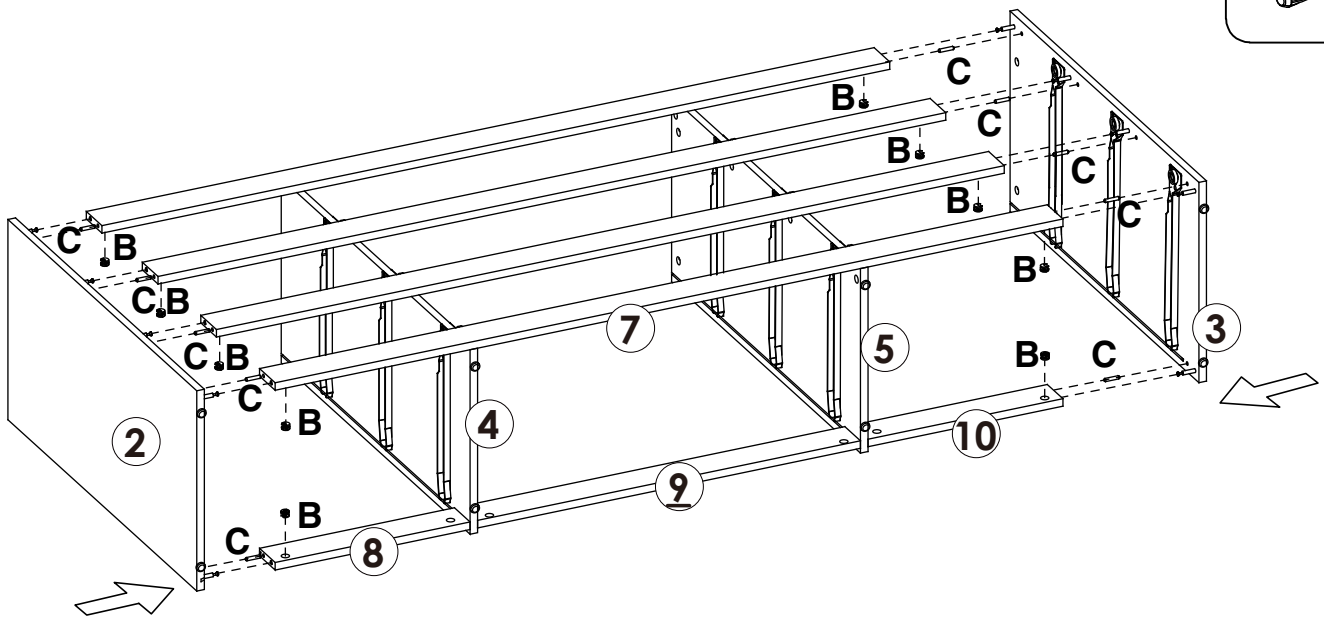
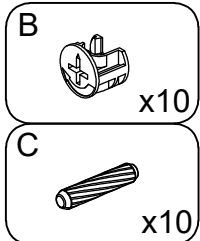
9



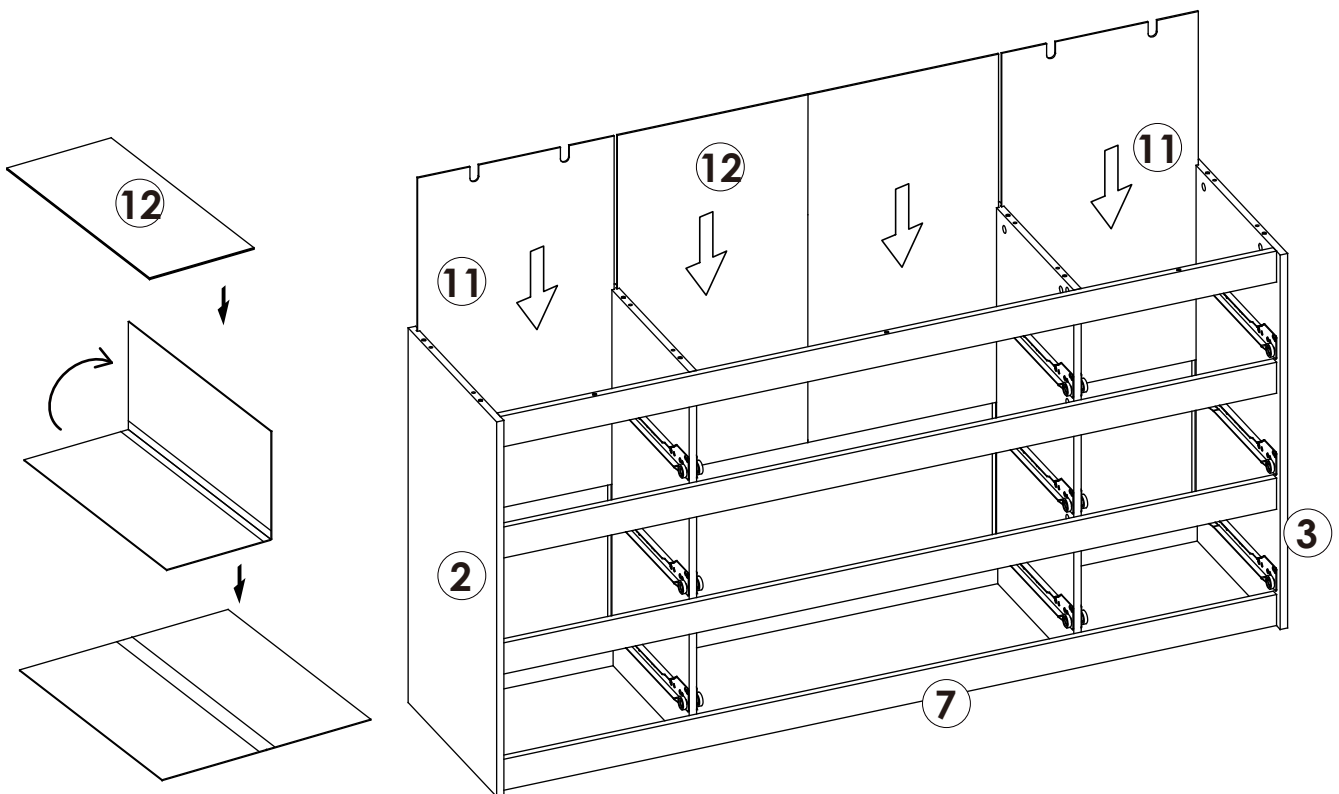
10



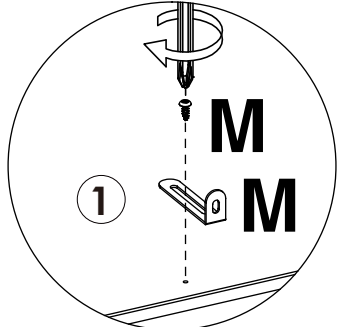
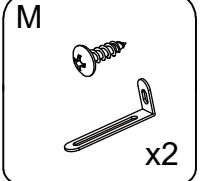
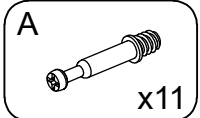
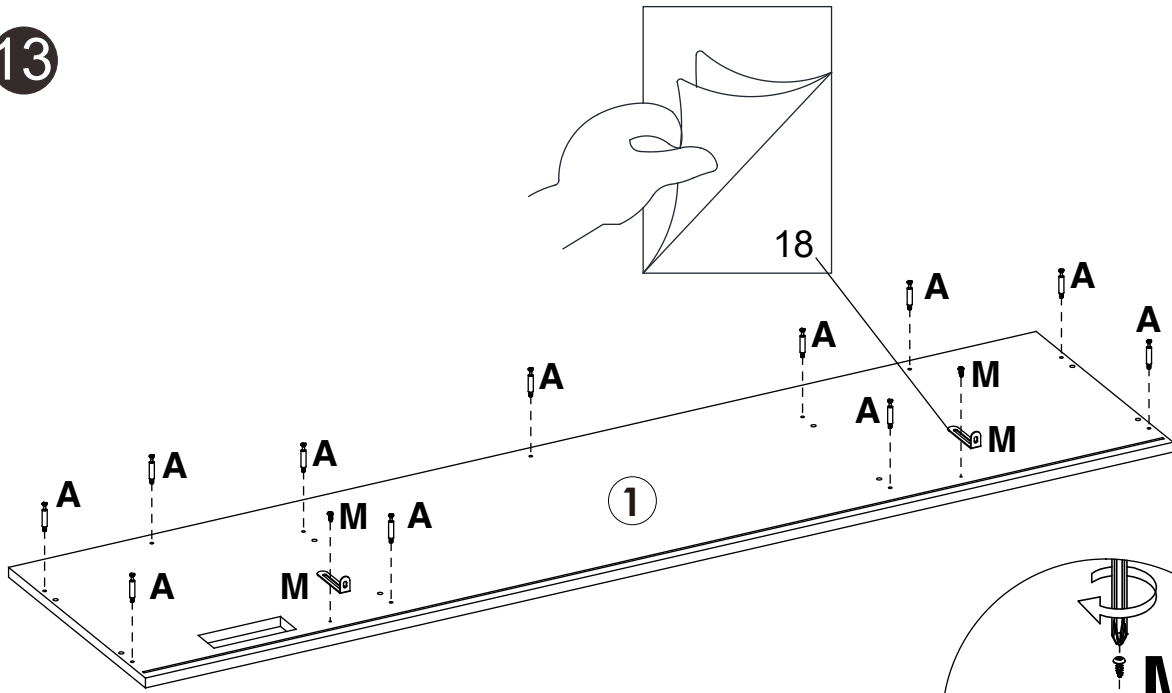
11



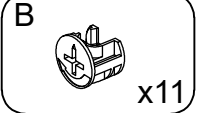
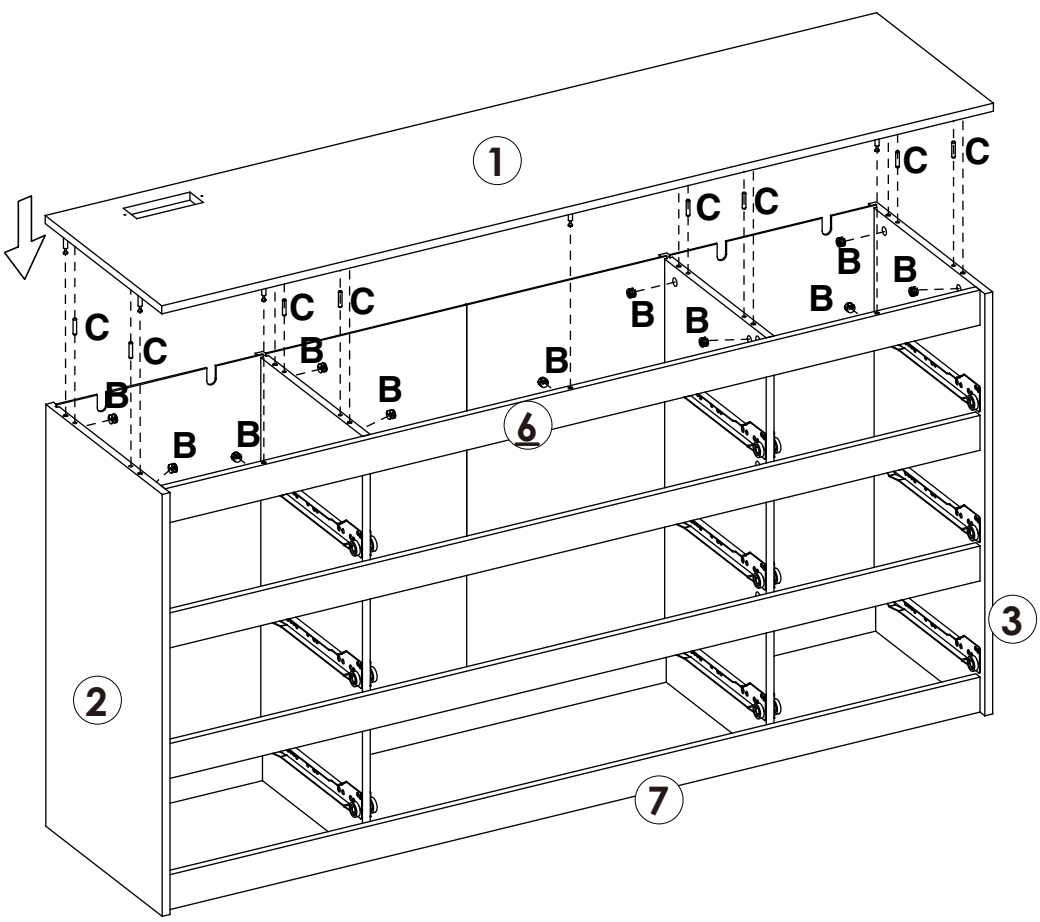
12



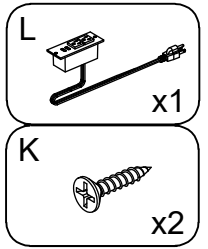
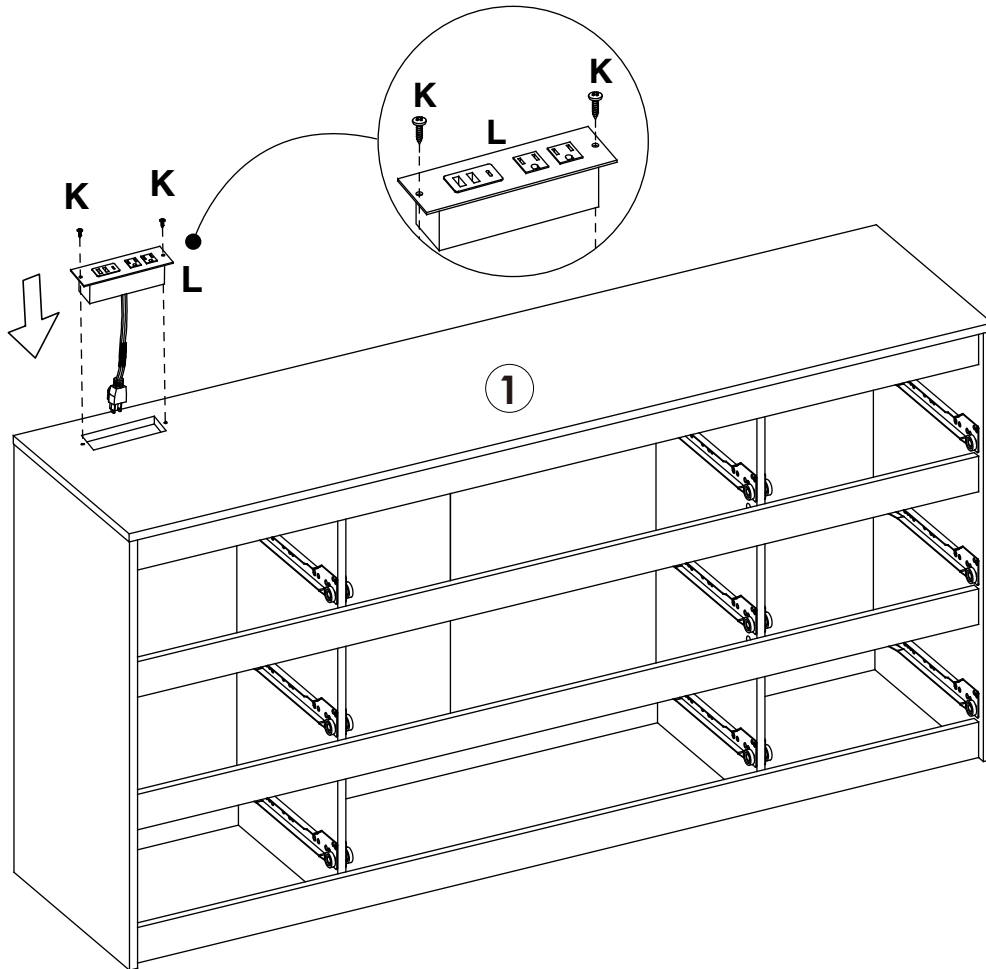
13



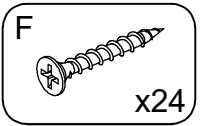
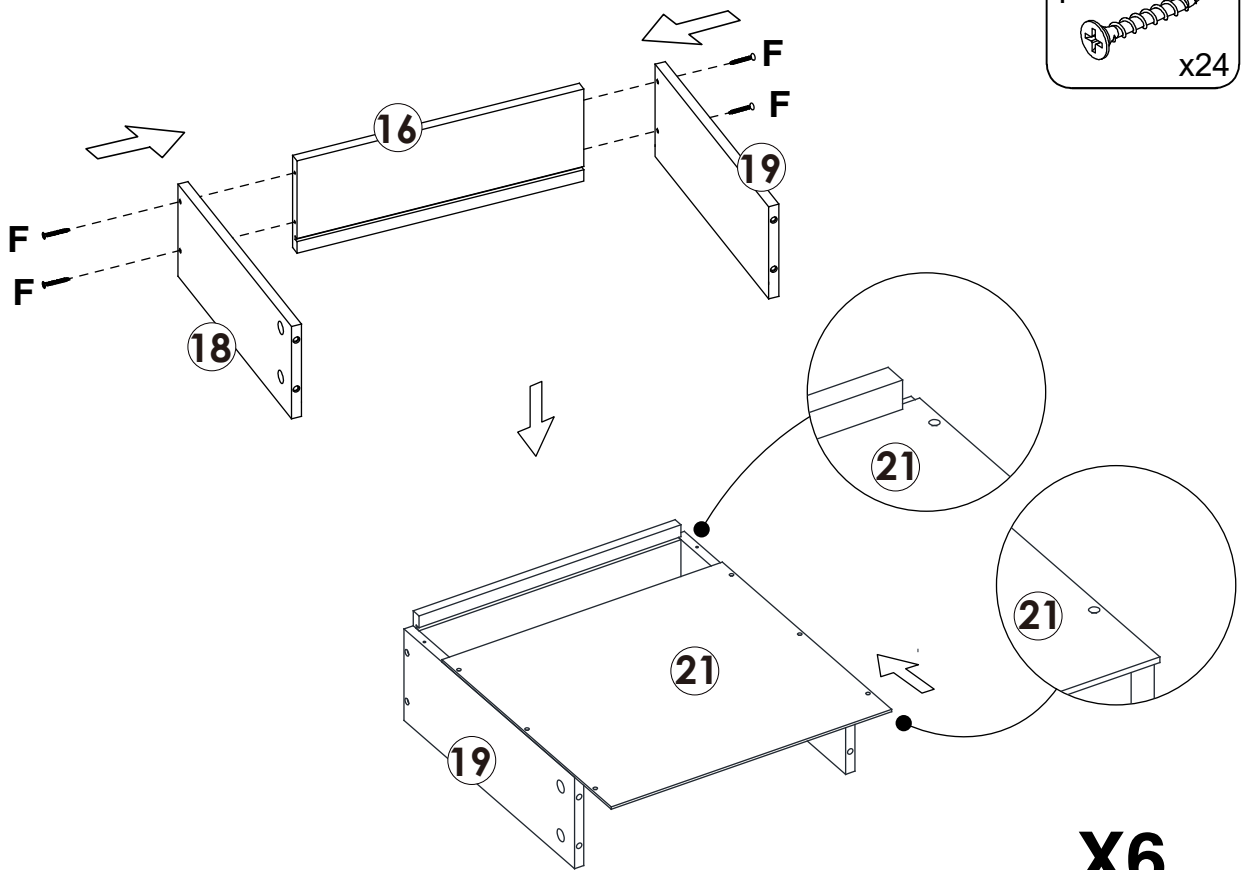
14



15

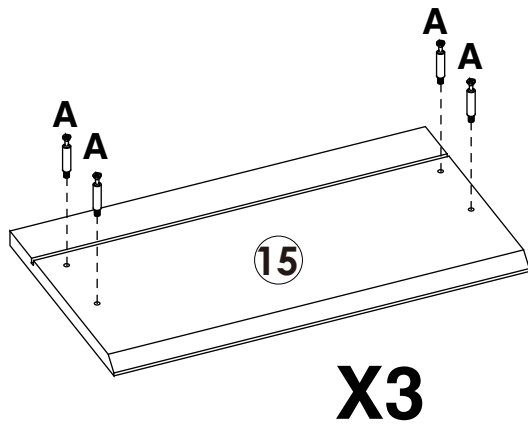
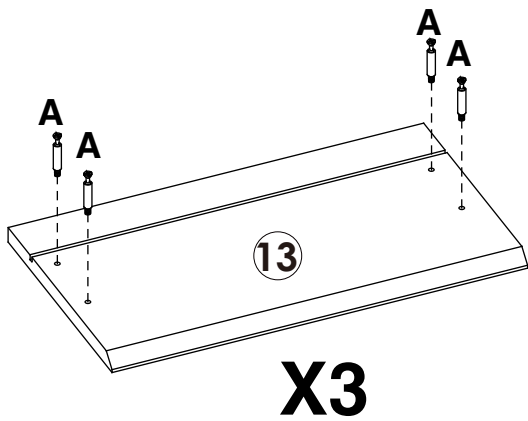
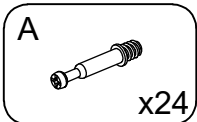


16

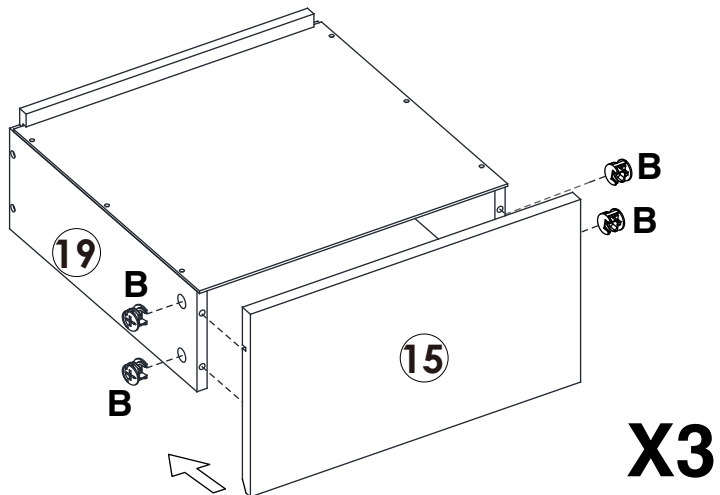
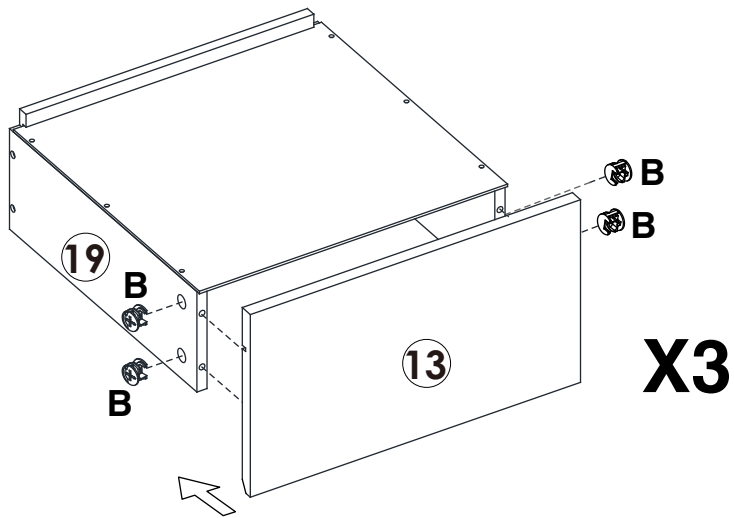
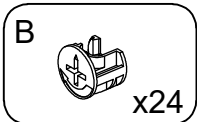


X6

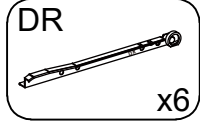
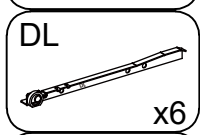
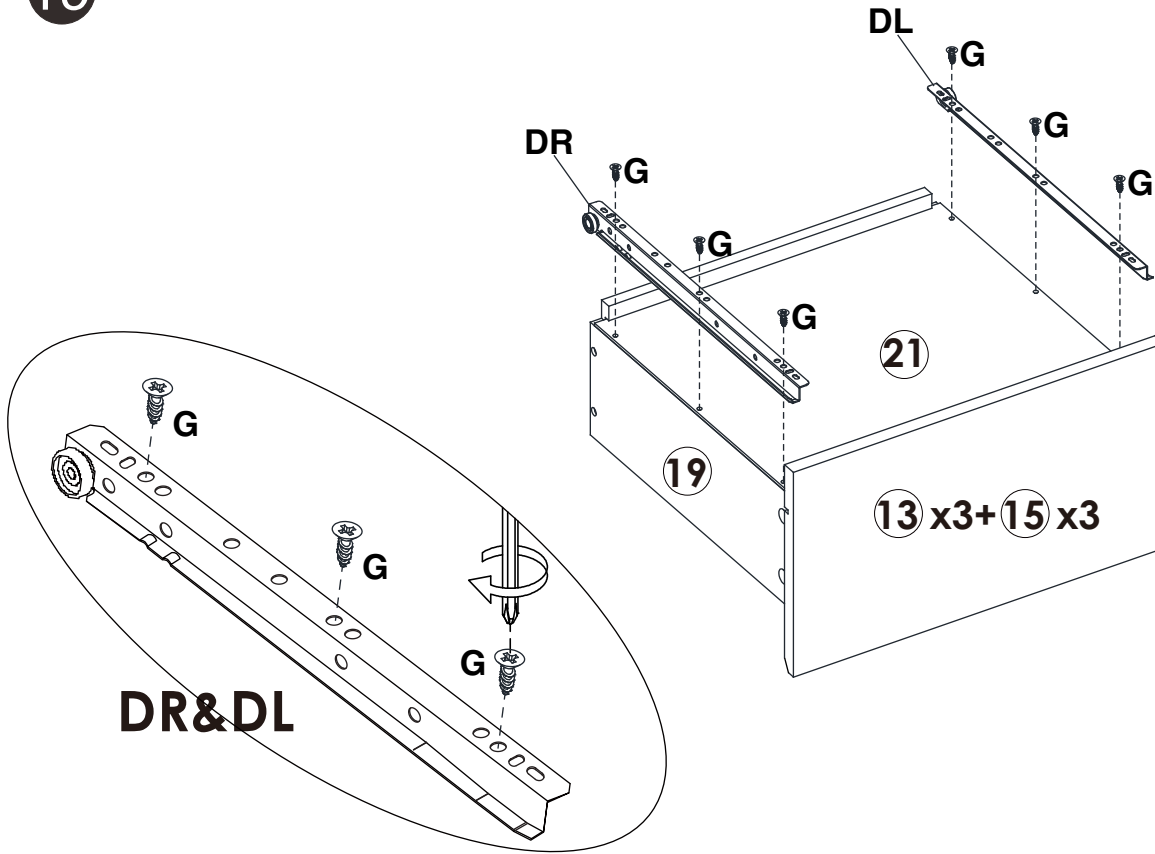
17



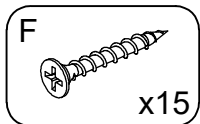
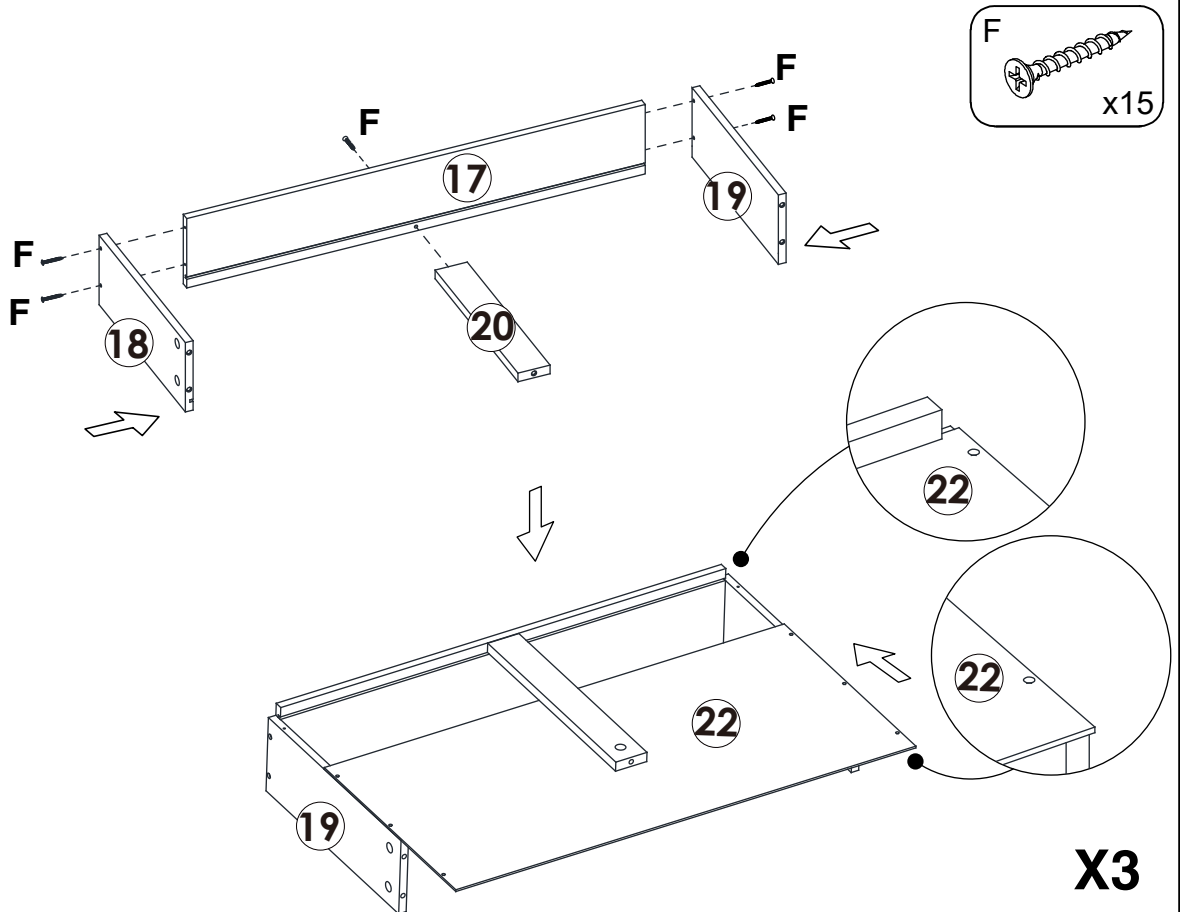
18



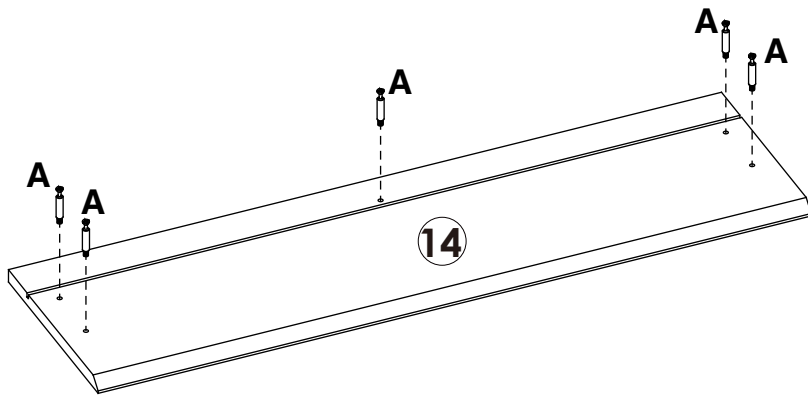
19



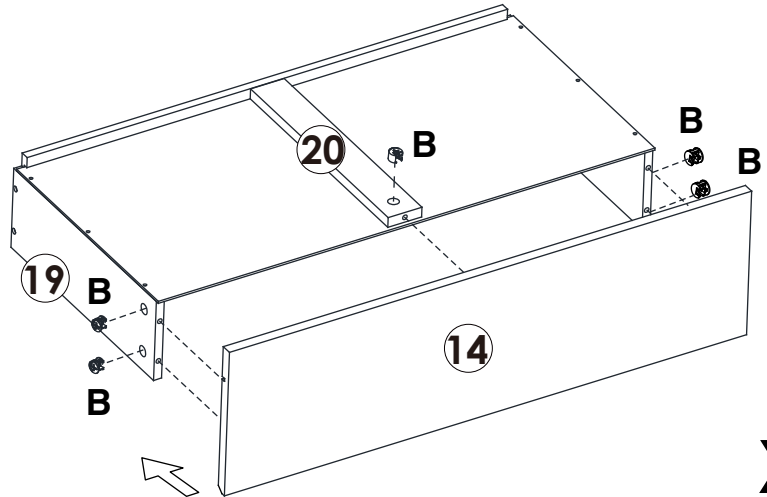
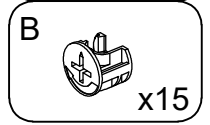
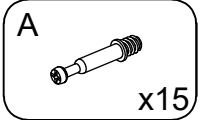
20



21

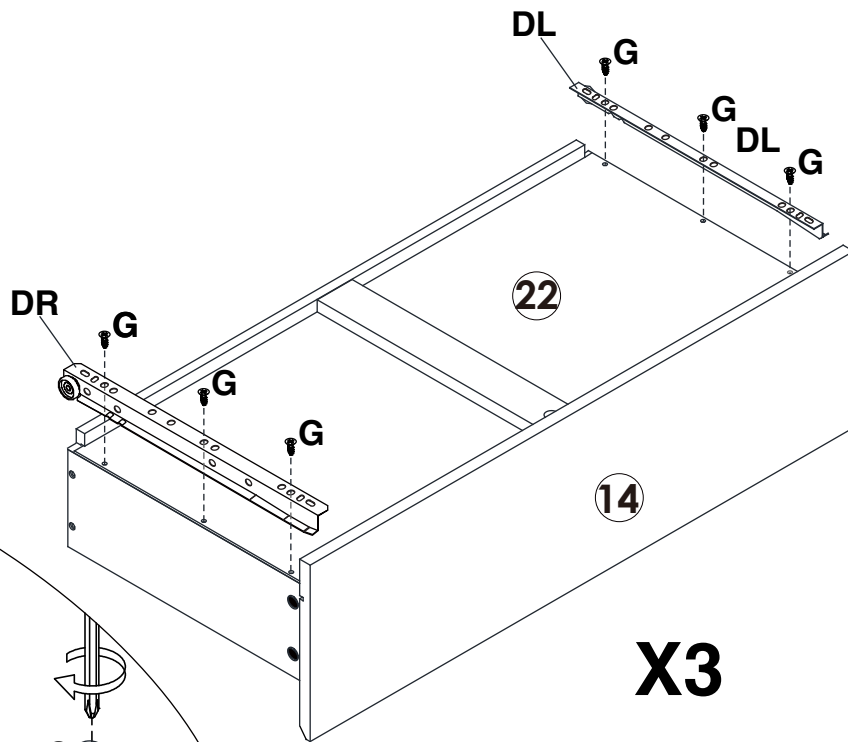


X3

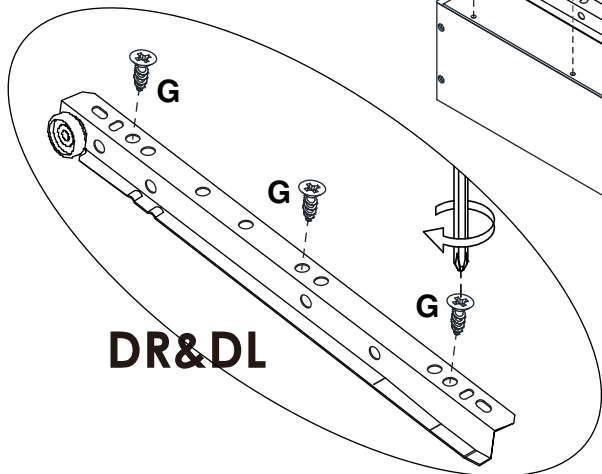
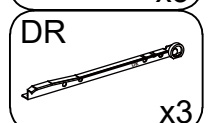
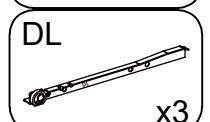
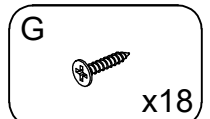


X3

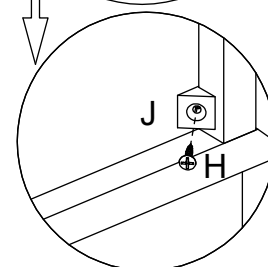
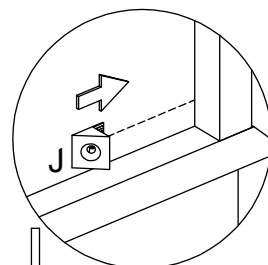
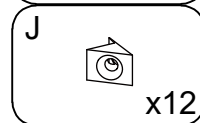
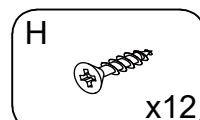
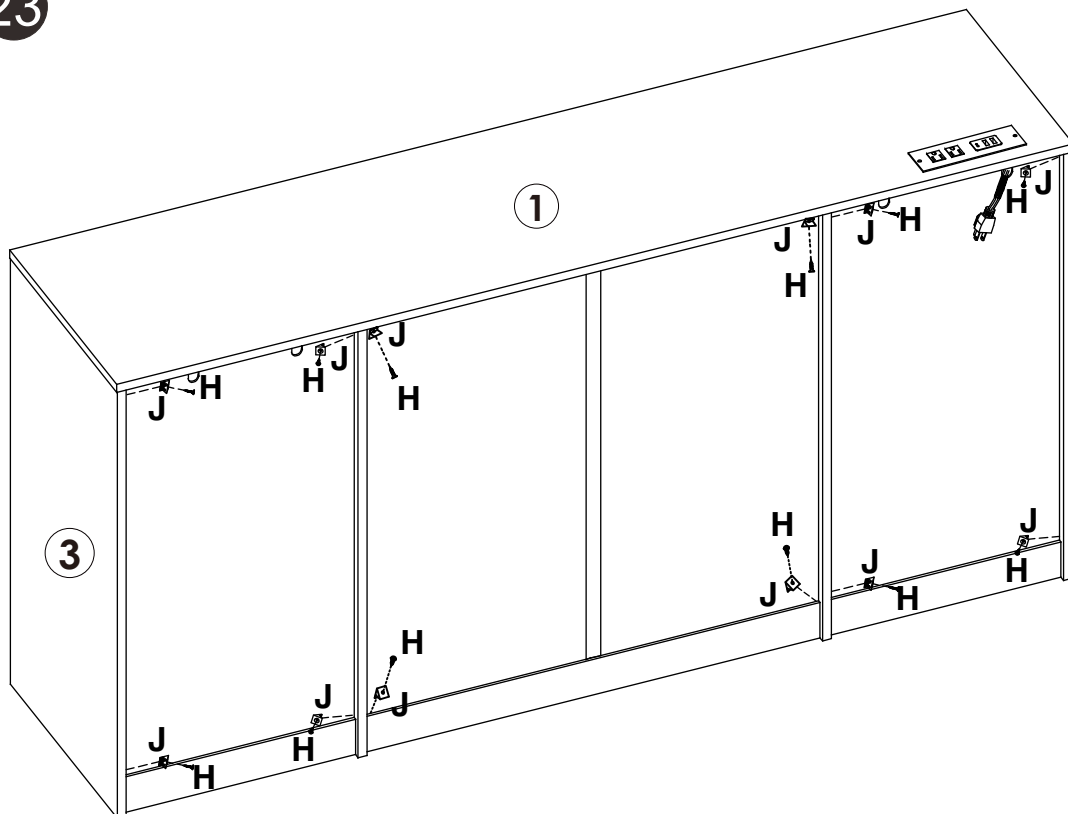
22



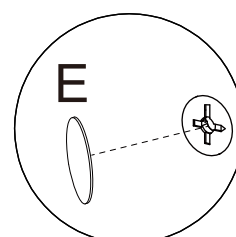
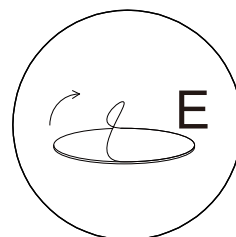
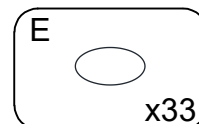
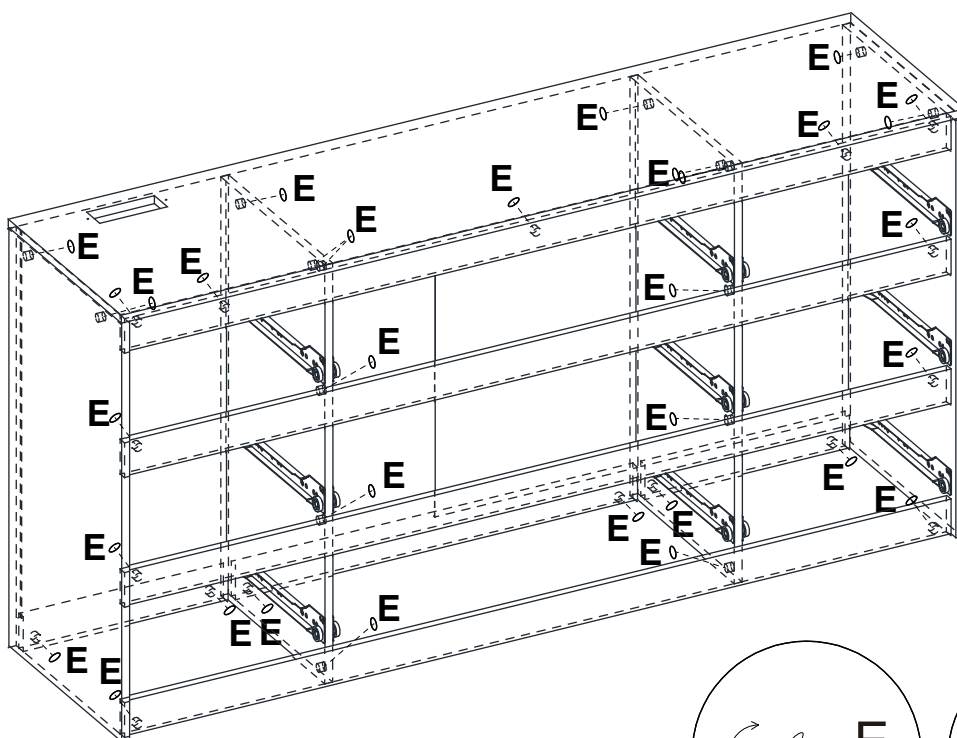
X3



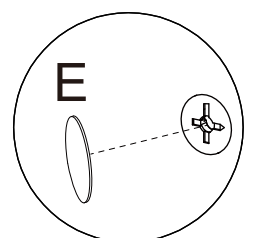
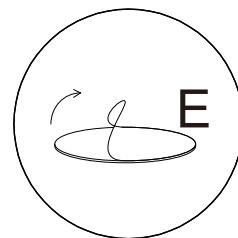
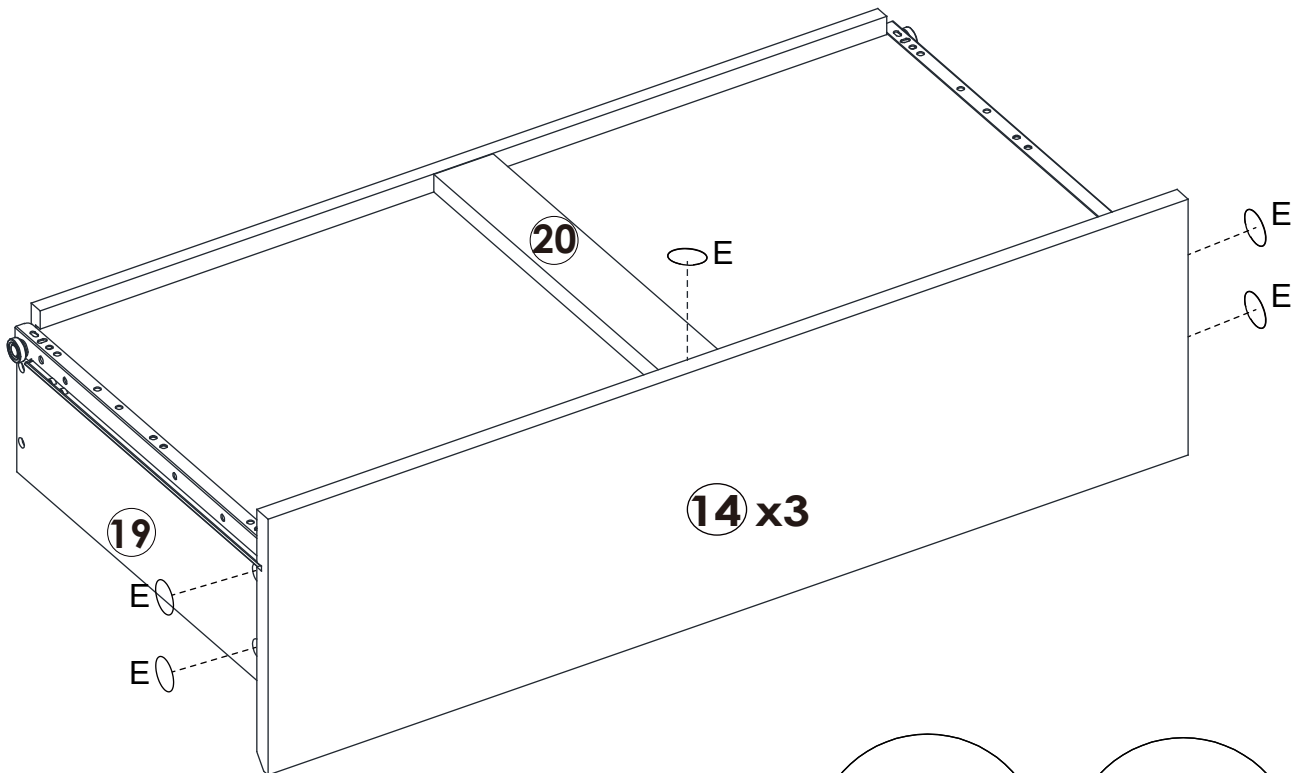
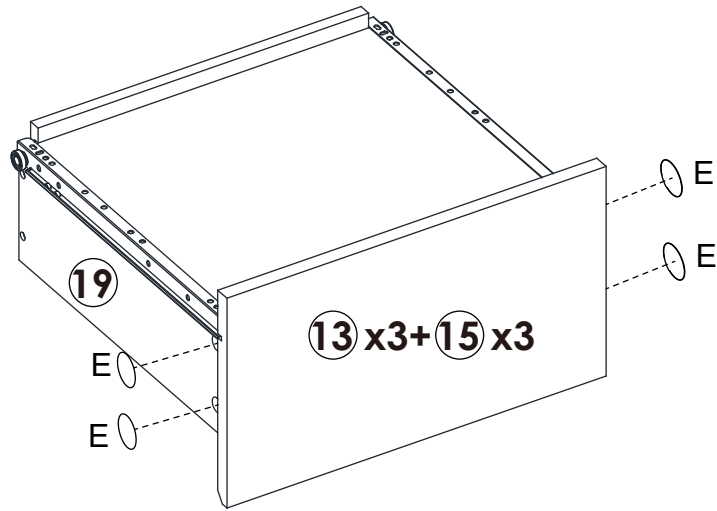
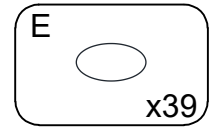
23

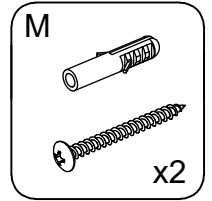
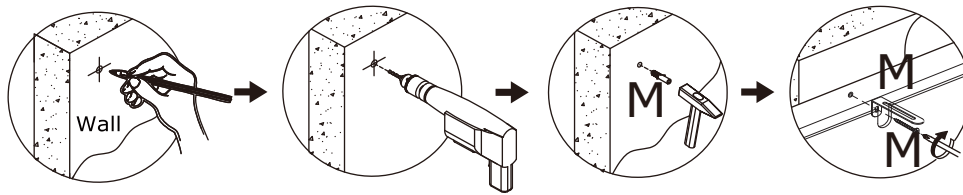


24



25

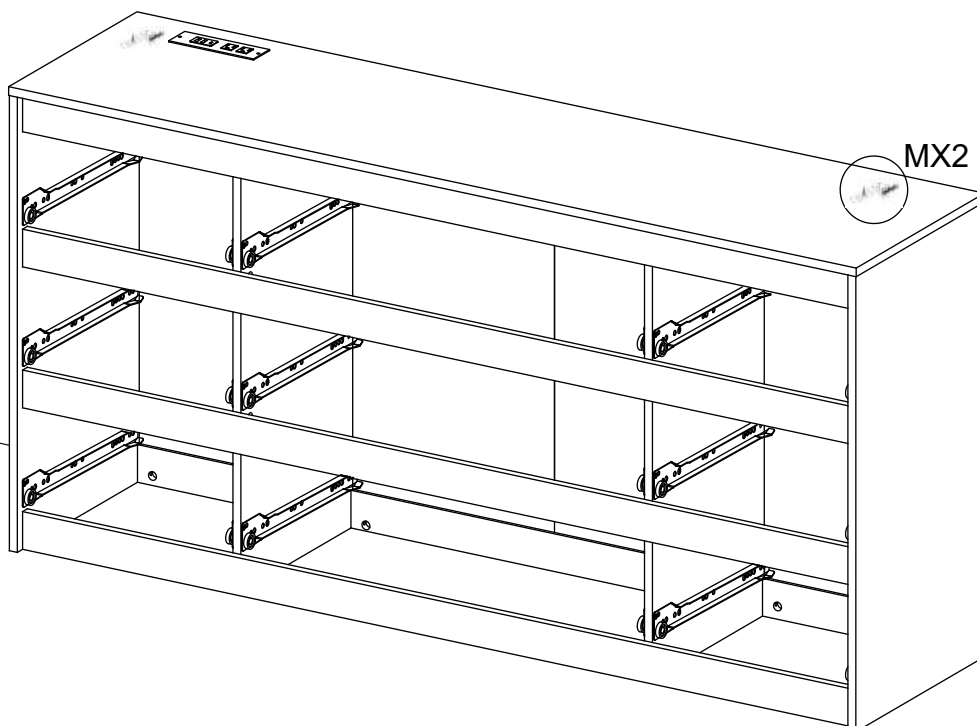




A solid wall	B cavity wall	C solid wood
$\varnothing$ 8mm (5/16")	$\varnothing$ 8mm (5/16")	$\varnothing$ 3mm ( $\varnothing$ 1/8")

**!** Warning: If you overturn the furniture, it may cause serious or fatal crushing injuries. We have a wall connection device attached, please use it to hold the furniture following these instructions.

1. Mark the corresponding hole positions where you want to place the furniture;
2. Use a impact drill to drill holes and pay attention to avoid wires and water pipes;
3. Knock the expansion pipes into the wall holes;
4. Place the furniture in the corresponding position and tighten the wall connection device with screws.



27

