

ASSEMBLY INSTRUCTIONS



DINING TABLE

ASSEMBLY INSTRUCTIONS

ASSEMBLY TIPS:

1. Remove hardware from box and sort by size.
2. Please check to see that all hardware and parts are present prior to start of assembly.
3. Please follow attached instructions in the same sequence as numbered to assure fast & easy assembly.



WARNING!

1. Don't attempt to repair or modify parts that are broken or defective. Please contact the store immediately.
2. This product is for home use only and not intended for commercial establishments.



ASSEMBLY TIME 35 MINUTES

PARTS IDENTIFICATION

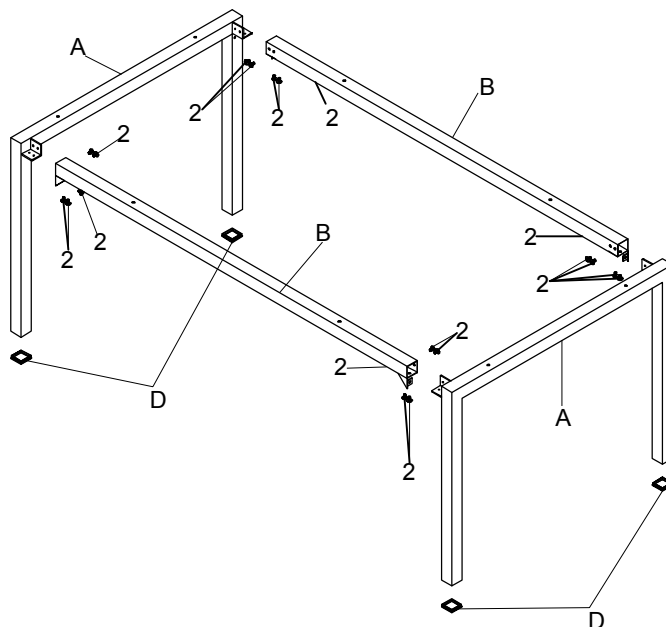
A	SIDE FRAME		2PCS
B	CROSSBAR		2PCS
C	TOP		1PC
D	CAP		4PCS

HARDWARE IDENTIFICATION

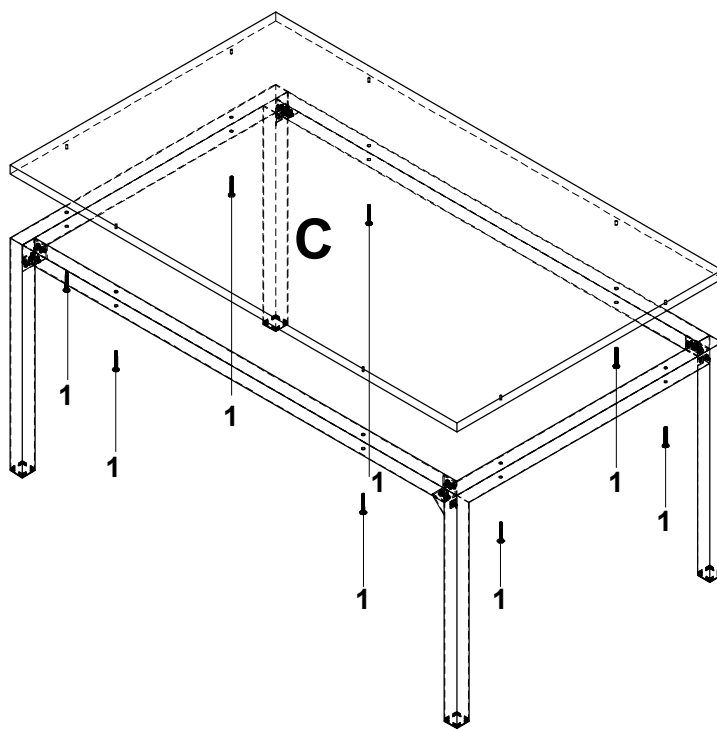
1	LONG BOLT (1/4" x 57mm)		8PCS	3	ALLEN WRENCH (4mm)		1PC
2	SHORT BOLT (1/4" x 13mm)		20PCS				

ASSEMBLY INSTRUCTIONS

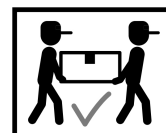
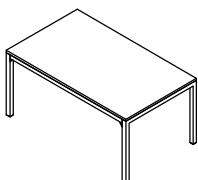
STEP 1 Do not tighten until each step is completed or instructed.



STEP 2

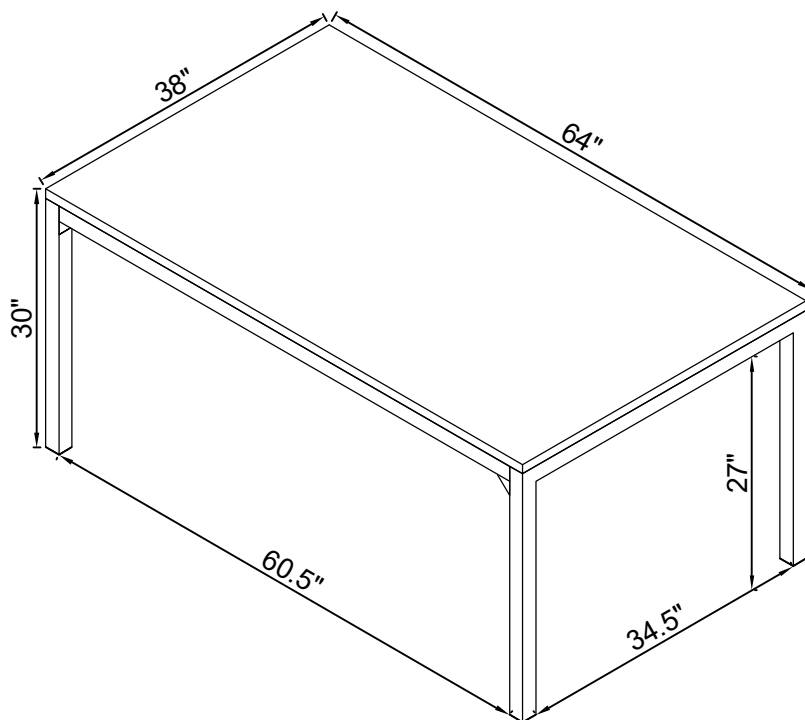


COMPLETE



ASSEMBLY INSTRUCTIONS

Product Size : 1626 X 965 X 762 H (MM)
Product Size : 64" X 38" X 30"



Note : Dimension tolerance $\pm 5\%$