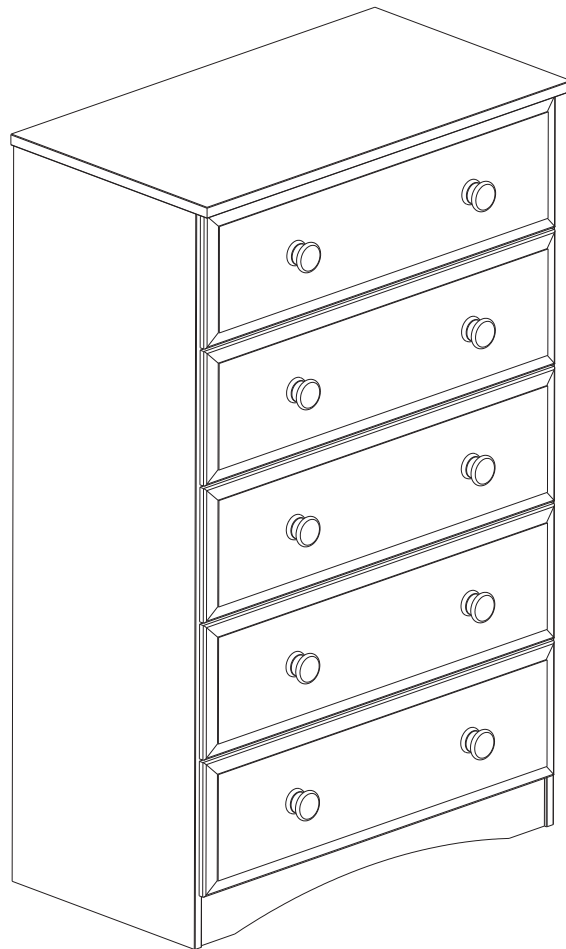
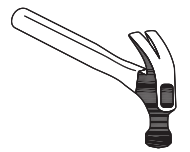
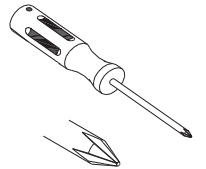
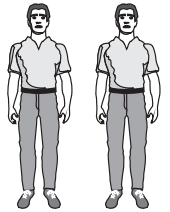


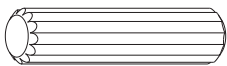
ASSEMBLY INSTRUCTIONS



00:45 Hs



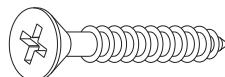
HARDWARE INCLUDED



A - 8,0x25 Wood Dowel
Qty. 40



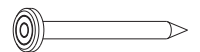
B - 4,0x30 Screw
Qty. 50



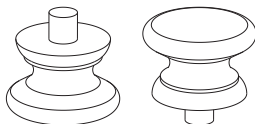
C - 3,5x30 Screw
Qty. 20



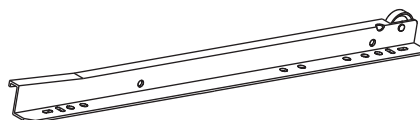
D - 3,5x14 Screw
Qty. 42



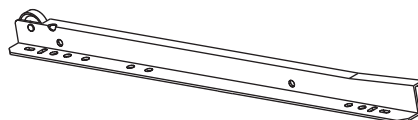
E - 10x10 Nail
Qty. 32



F - Door Knob
Qty. 10



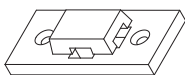
G - Slide Left 350mm
Qty. 05



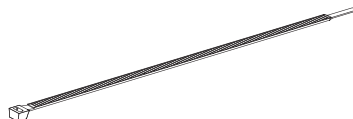
H - Slide Right 350mm
Qty. 05



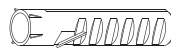
I - H Profile 1118mm
Qty. 01



J - Plastic wall bracket
Qty. 02

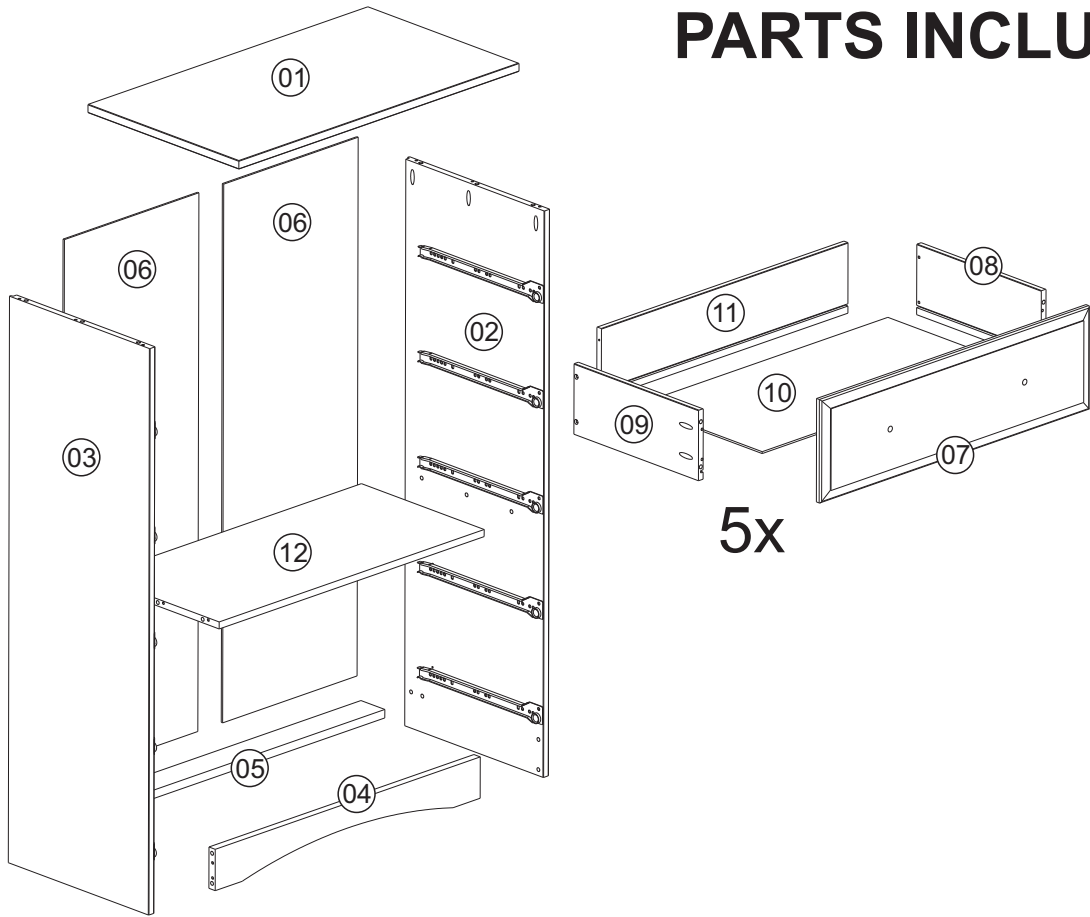


K - Nylon strap 140mm
Qty. 01

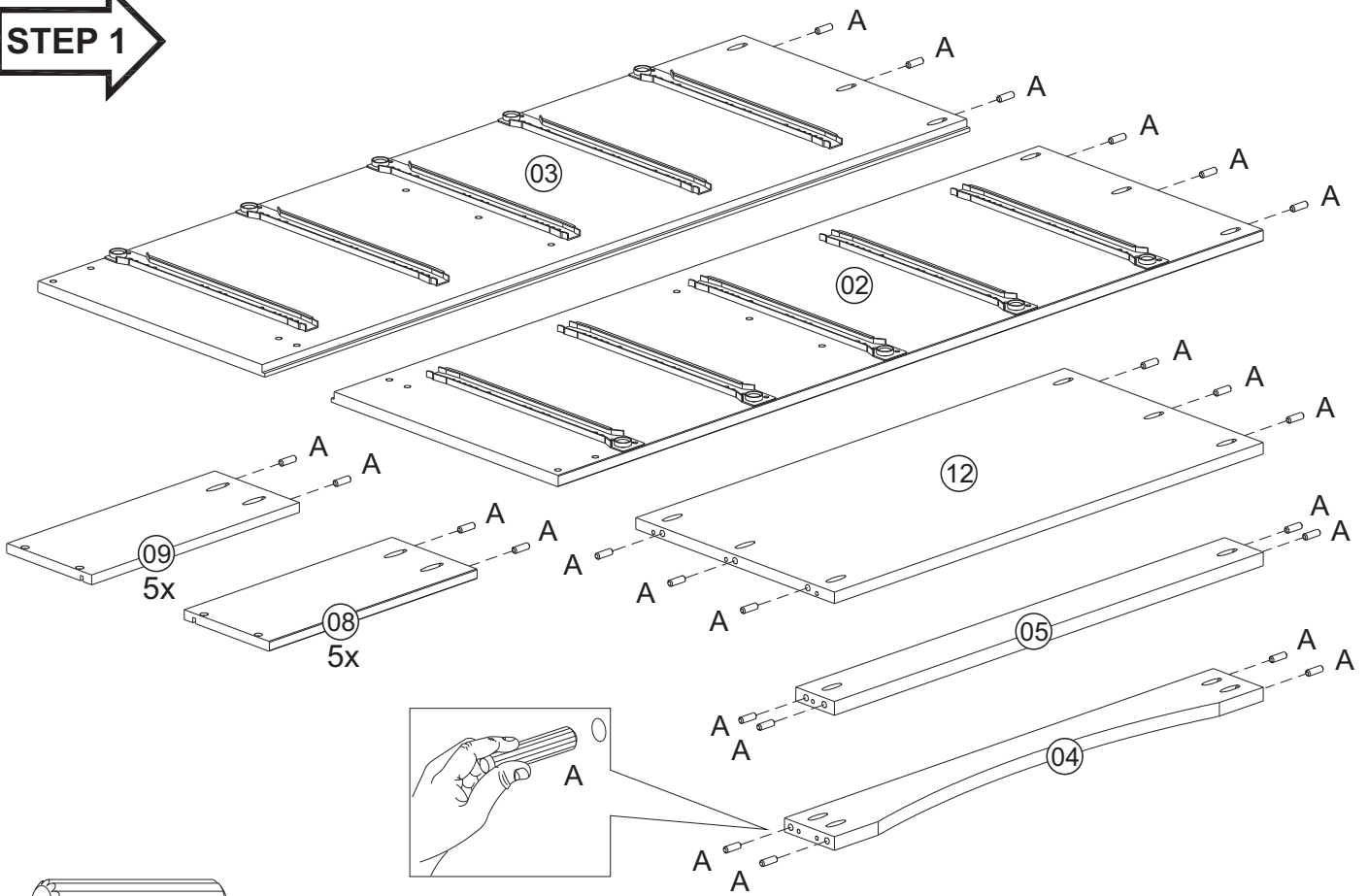


L - Plastic screw anchor 6mm
Qty. 02

PARTS INCLUDED

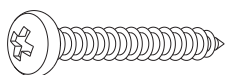
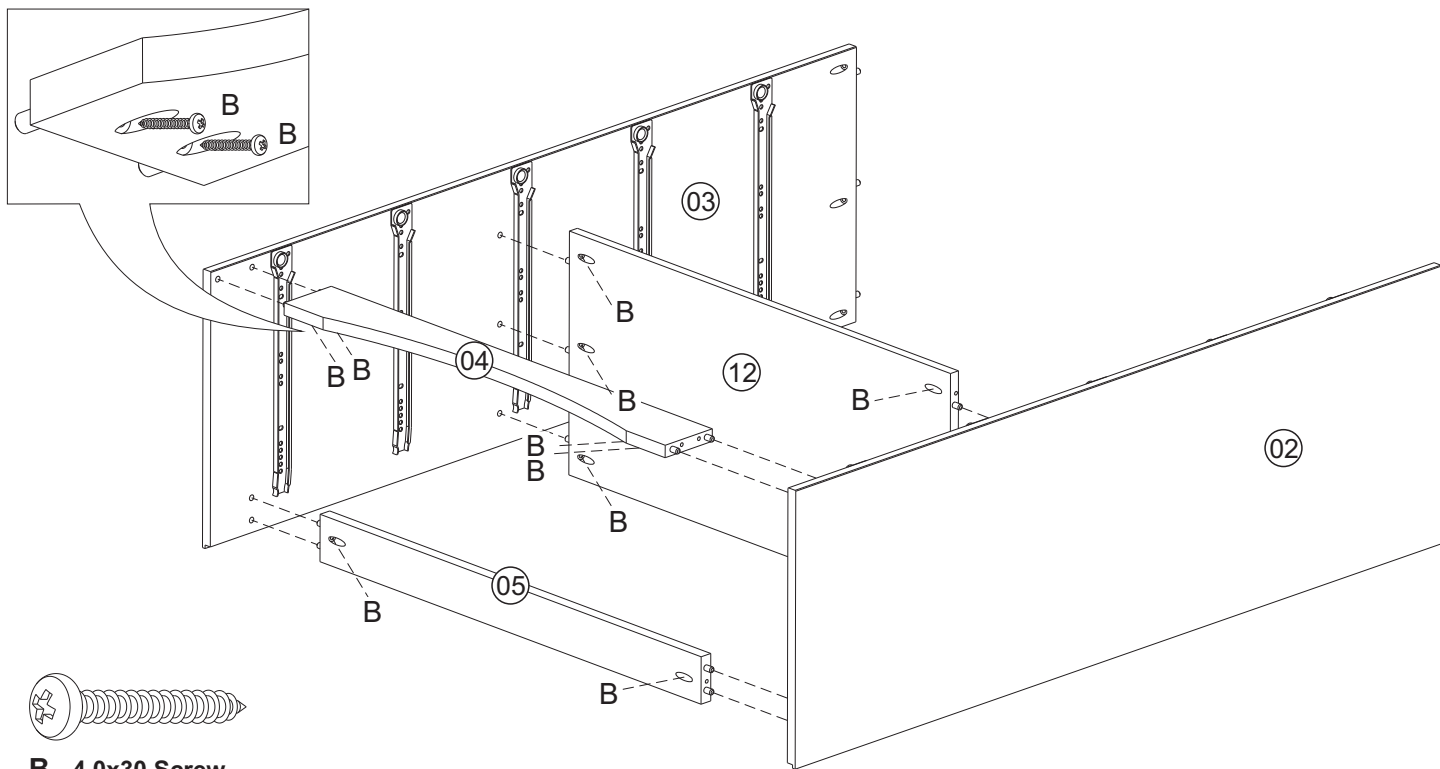


STEP 1



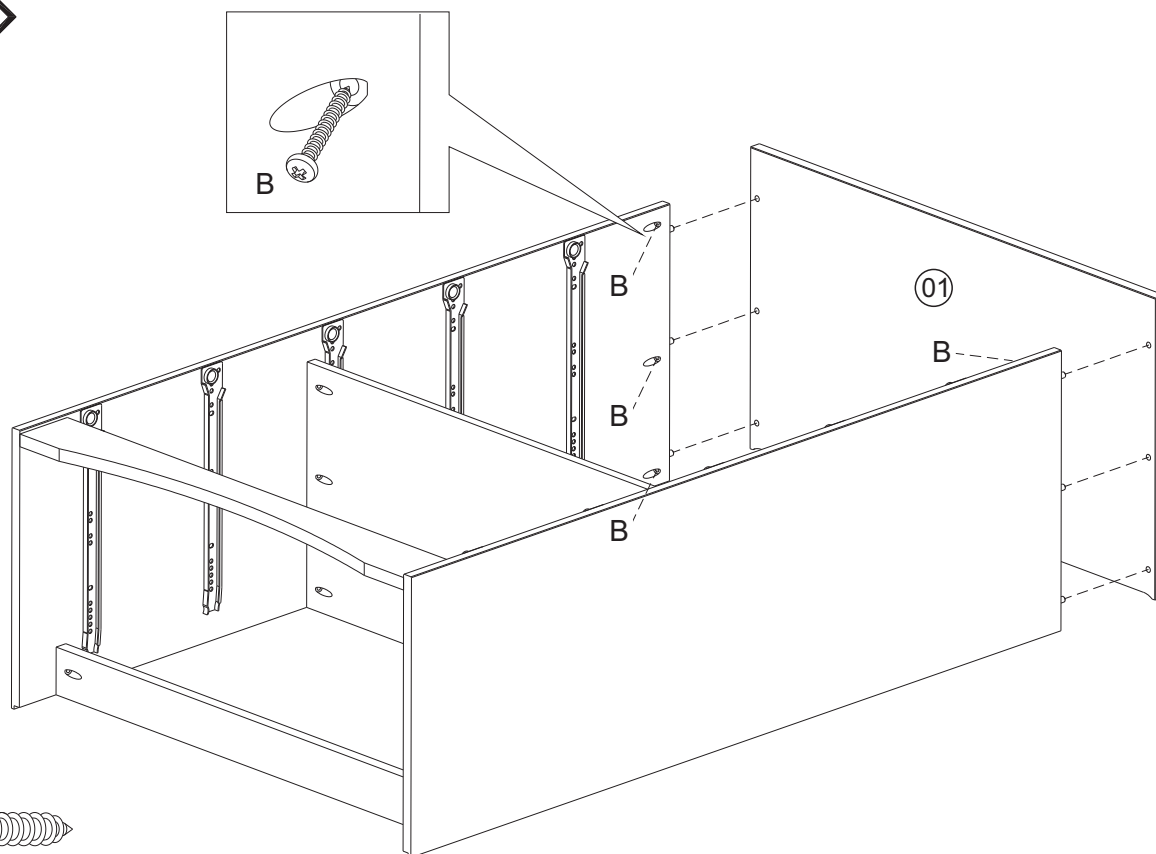
A - 8,0x25 Wood Dowel
Qty. 40

STEP 2



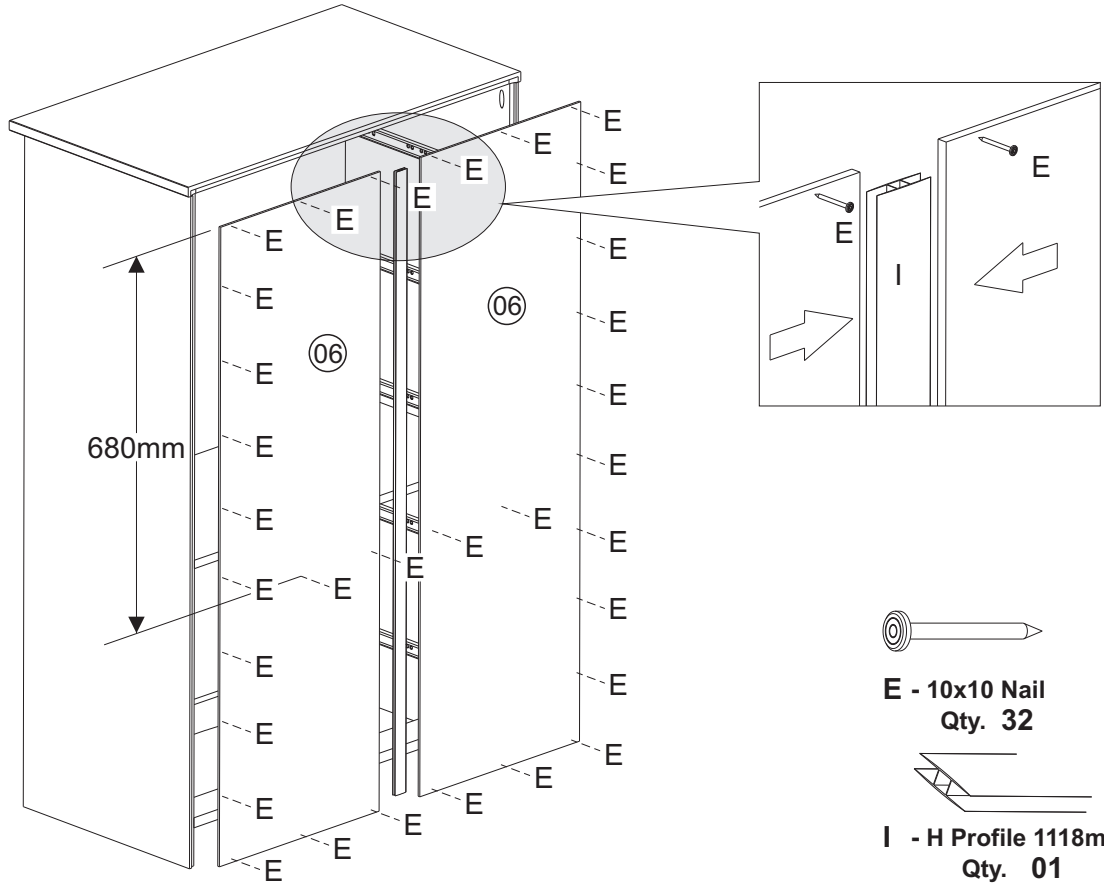
B - 4,0x30 Screw
Qty. 12

STEP 3

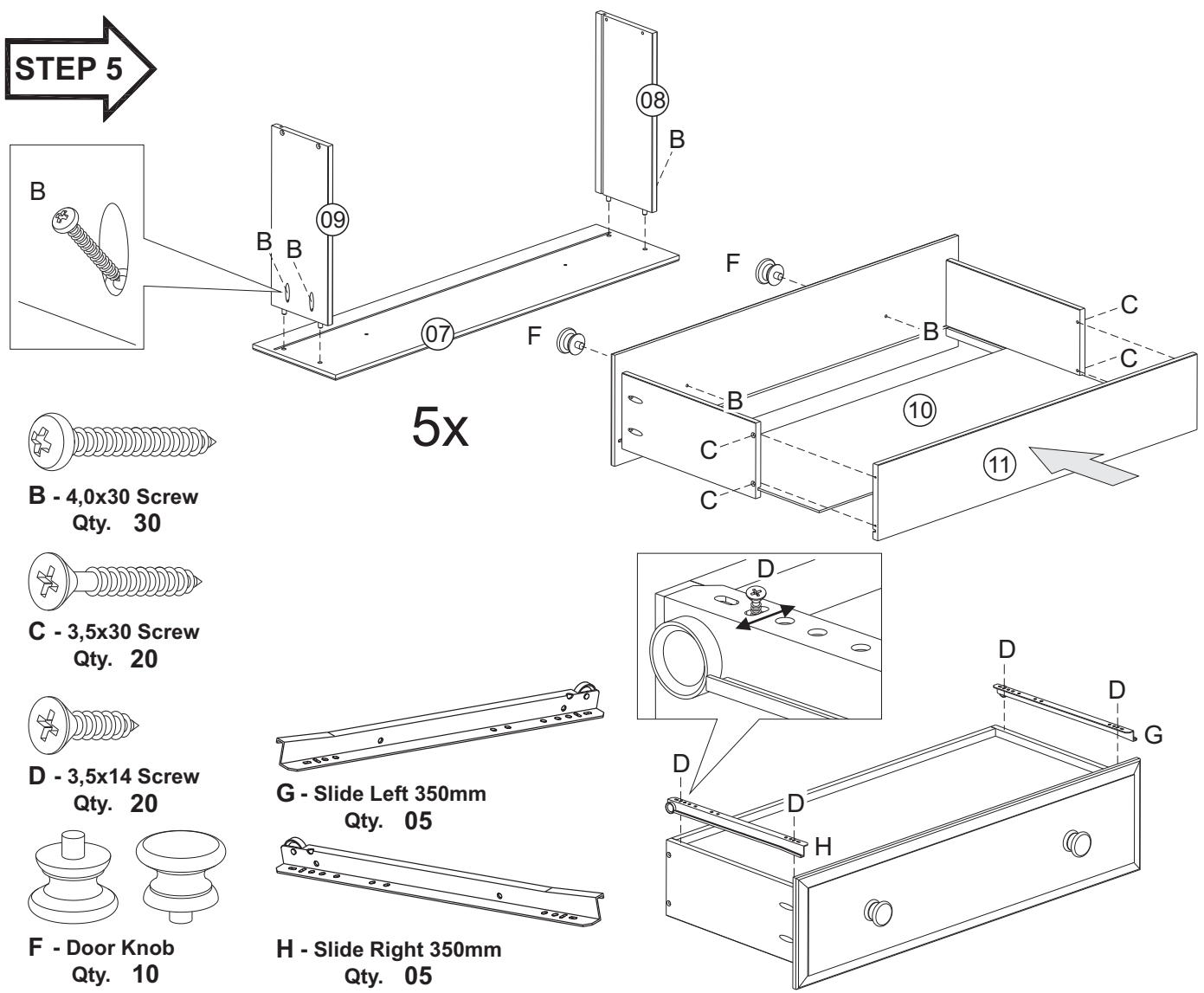


B - 4,0x30 Screw
Qty. 06

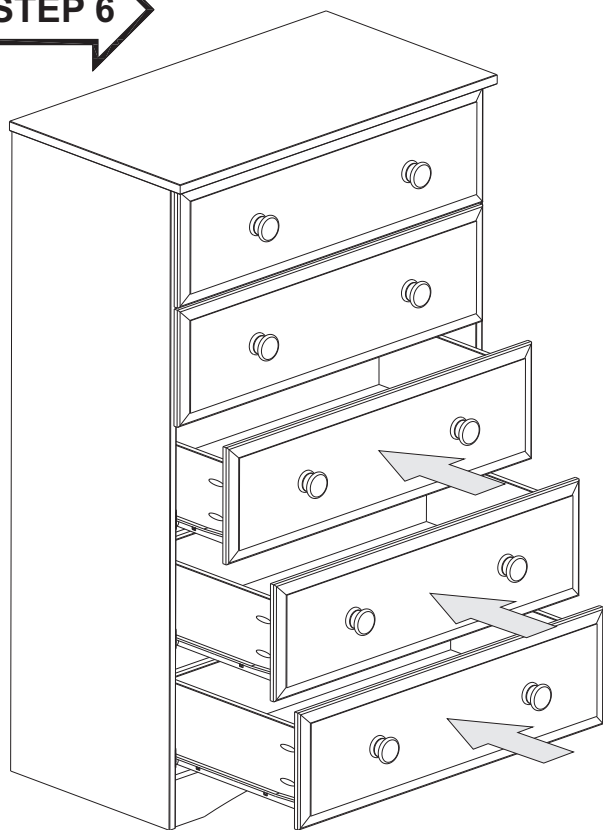
STEP 4



STEP 5



STEP 6

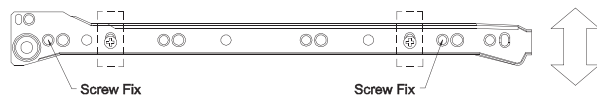


Drawer Glide Adjustments:

The metal drawer glides are designed to allow for slight adjustments vertically and horizontally, if necessary.

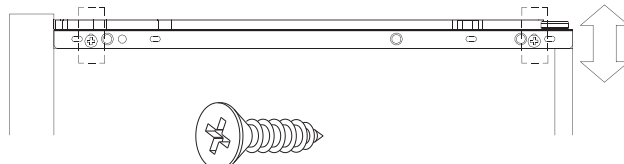
Horizontal Glide Adjustment:

Remove drawer from chest. Loosen screws indicated on side of metal track. Make needed space adjustment and re-tighten screws and add 2 additional screws in holes as indicated in diagram below:

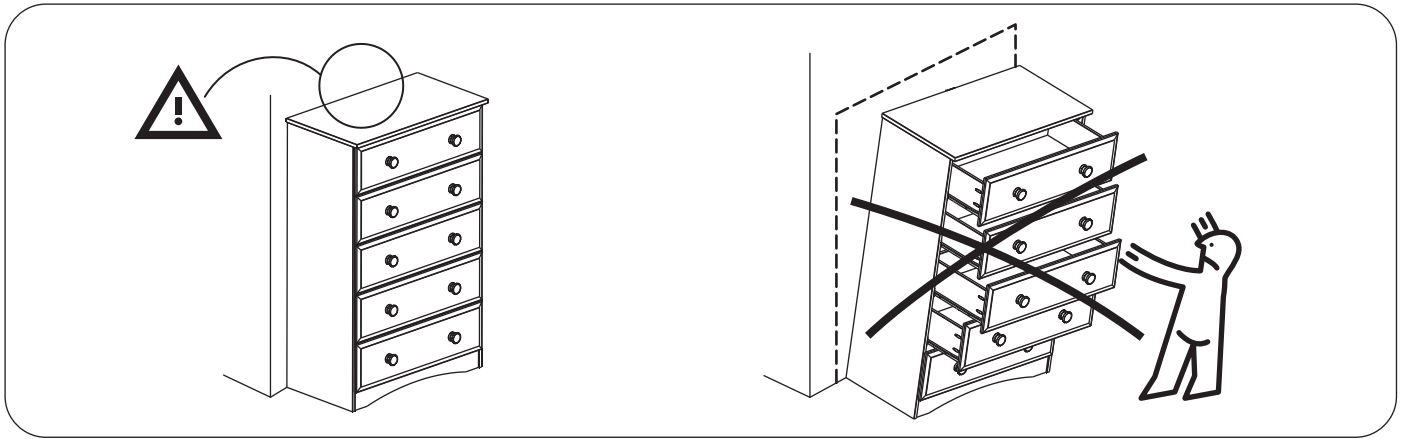


Vertical Glide Adjustment:

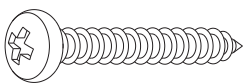
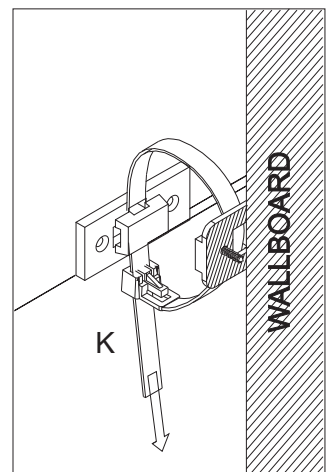
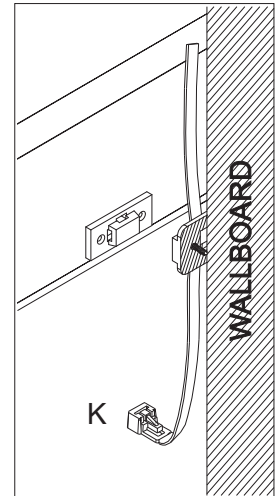
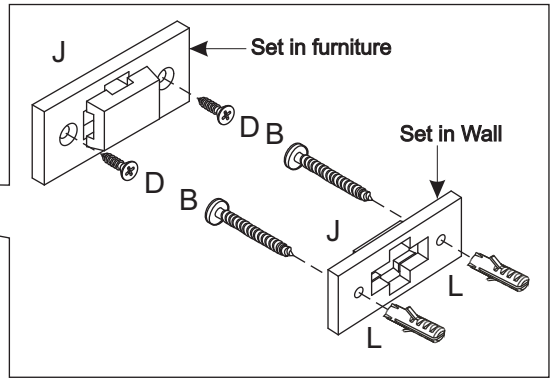
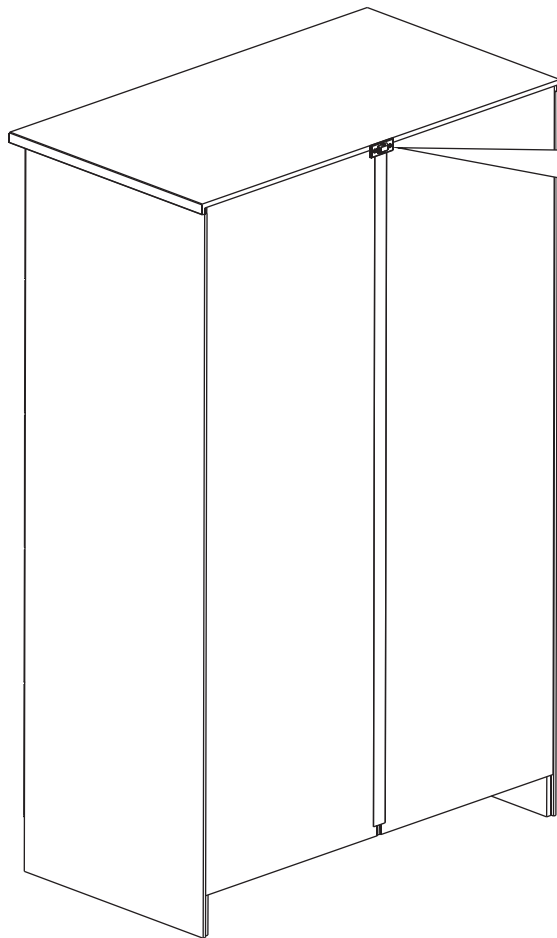
Remove drawer from chest. Loosen Screws on underside of metal track. Make needed space adjustment and re-tighten screws as indicated in diagram below:



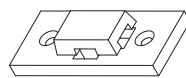
D - 3,5x14 Screw
Qty. 20



Anti-Tip Kit



B - 4,0x30 Screw
Qty. 02



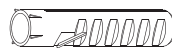
J - Plastic wall bracket
Qty. 02



D - 3,5x14 Screw
Qty. 02



K - Nylon strap 140mm
Qty. 01



L - Plastic screw anchor 6mm
Qty. 02