

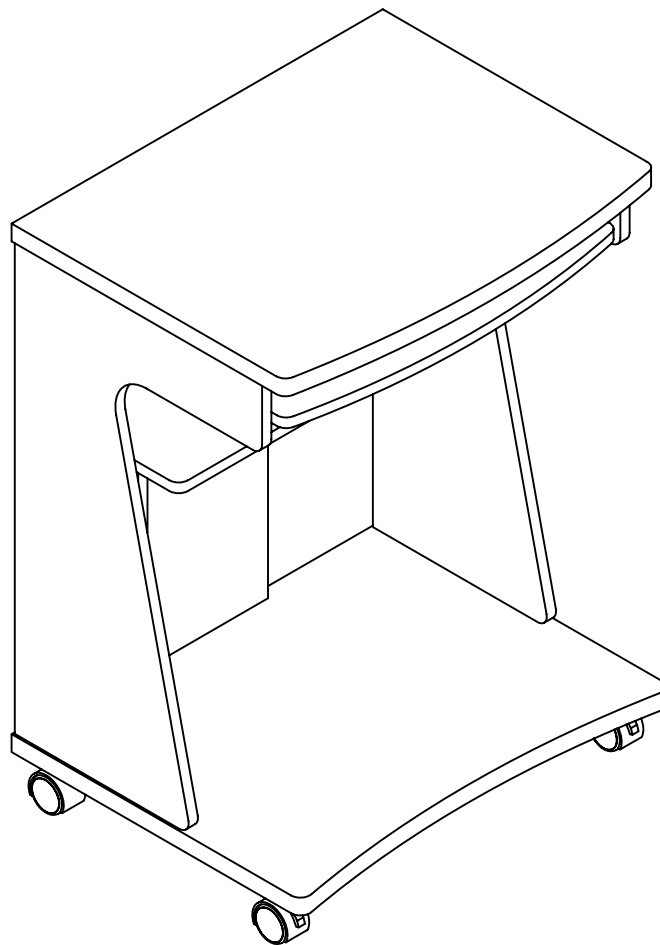
ASSEMBLY INSTRUCTION

PLEASE READ BEFORE ASSEMBLING!

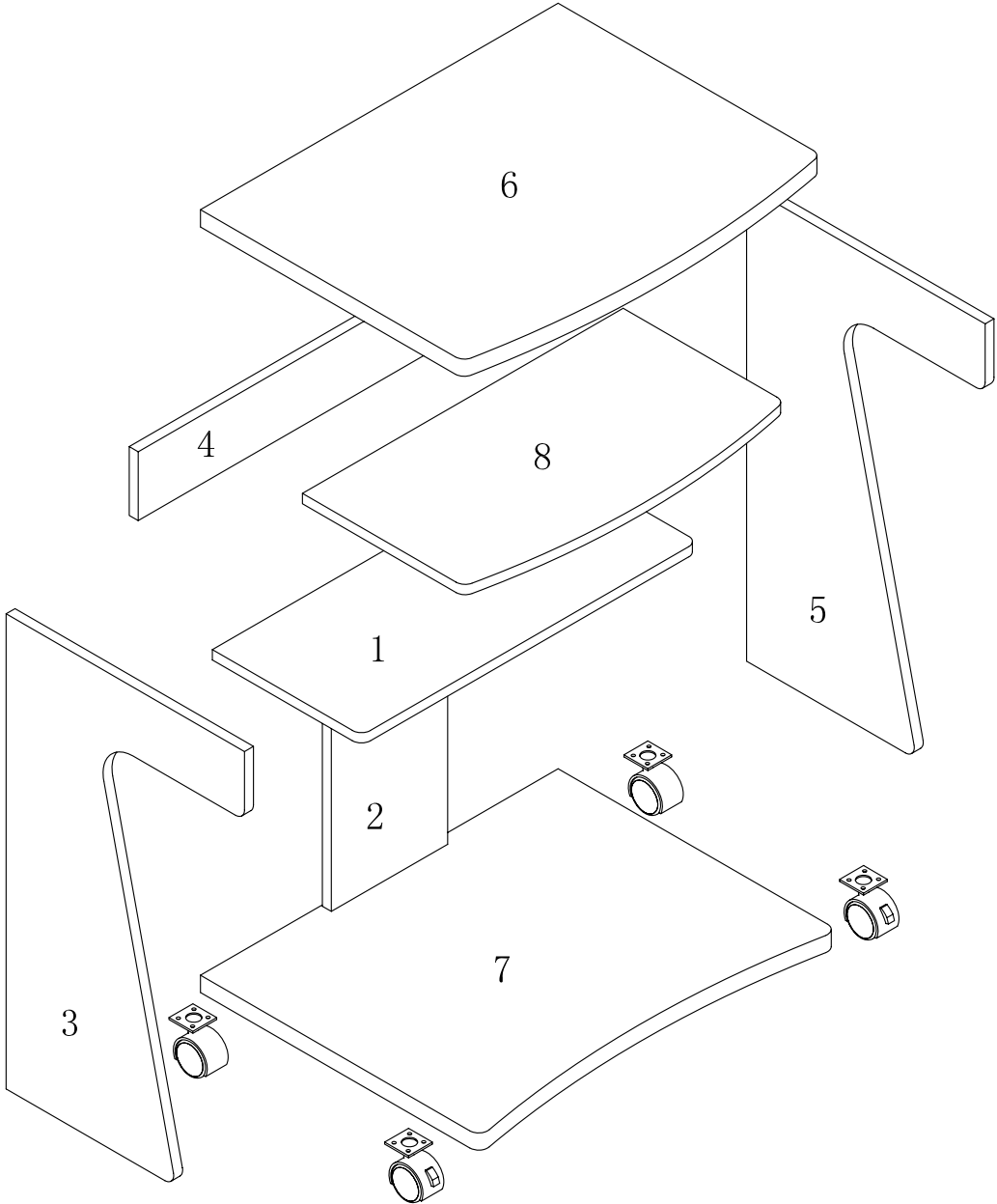
Tip #1: Make sure you've taken all the pieces and hardware out of its packaging before discarding the box.

Tip #2: Using page 2 and/or page 3 of instruction manual make sure all pieces and hardware are accounted for.

Tip #3: Read manual before assembling, it helps!

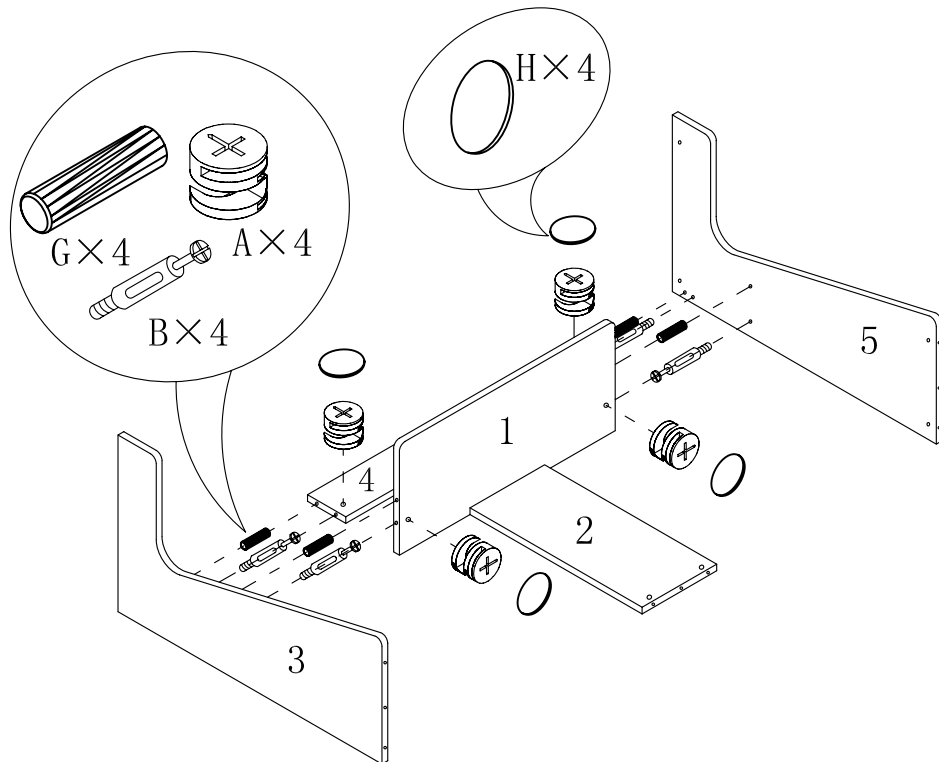


PARTS IDENTIFICATION



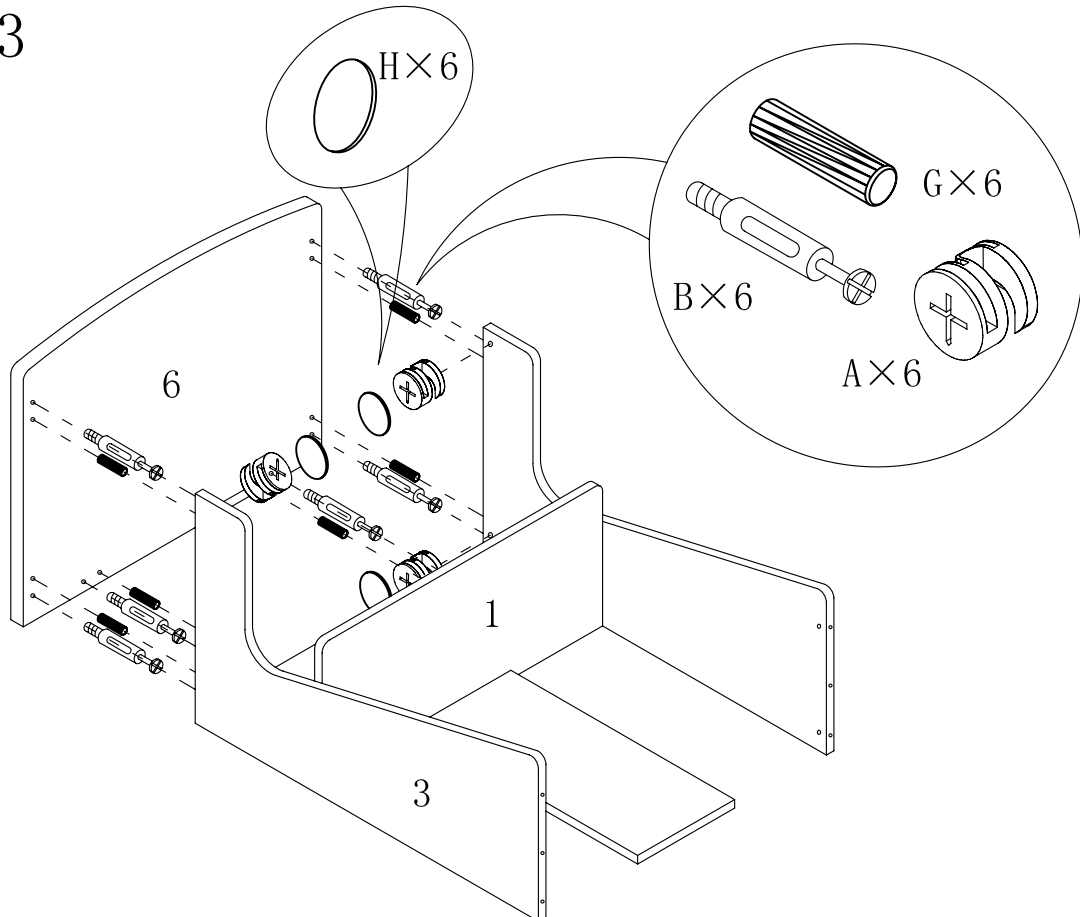
(1)	1pc	(5)	1pc
(2)	1pc	(6)	1pc
(3)	1pc	(7)	1pc
(4)	1pc	(8)	1pc

ASSEMBLY INSTRUCTION

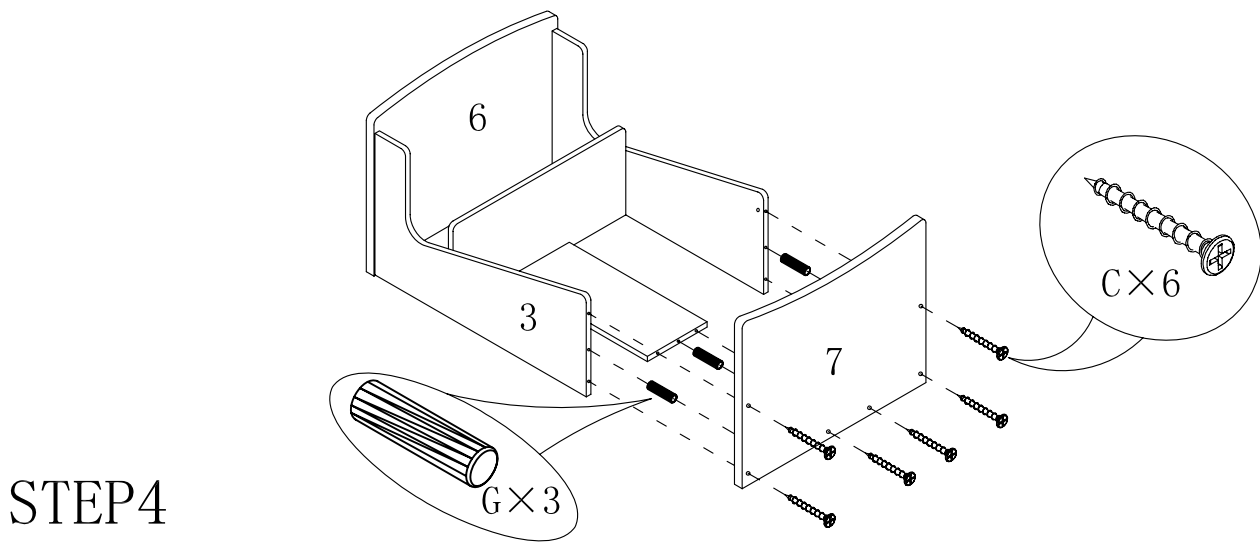


STEP2

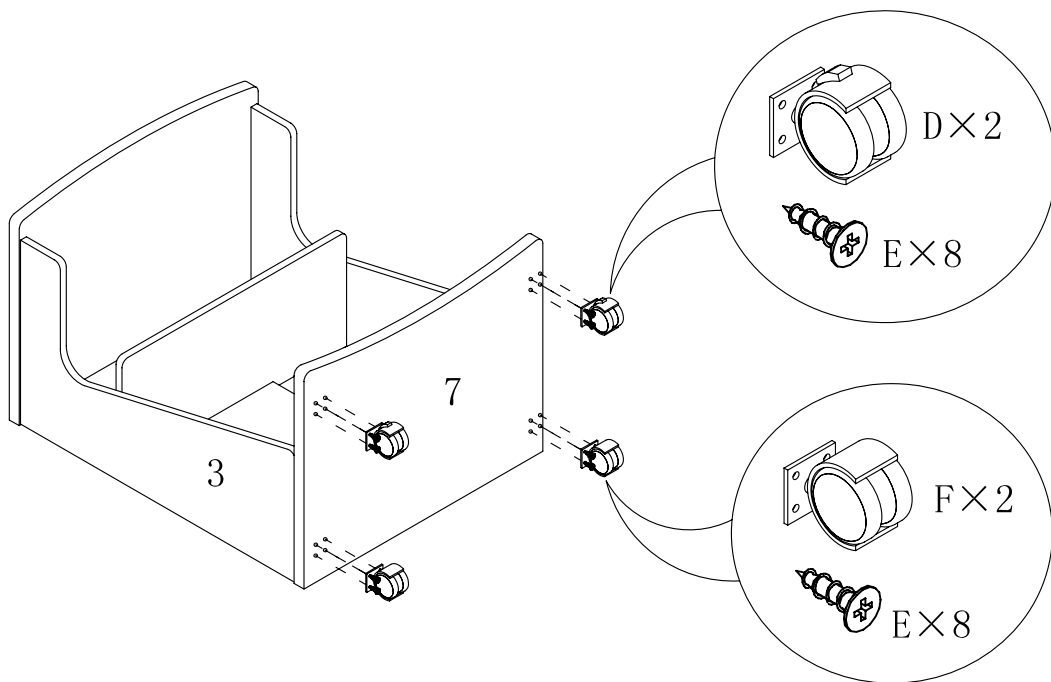
STEP3



ASSEMBLY INSTRUCTION



STEP5



STEP6

