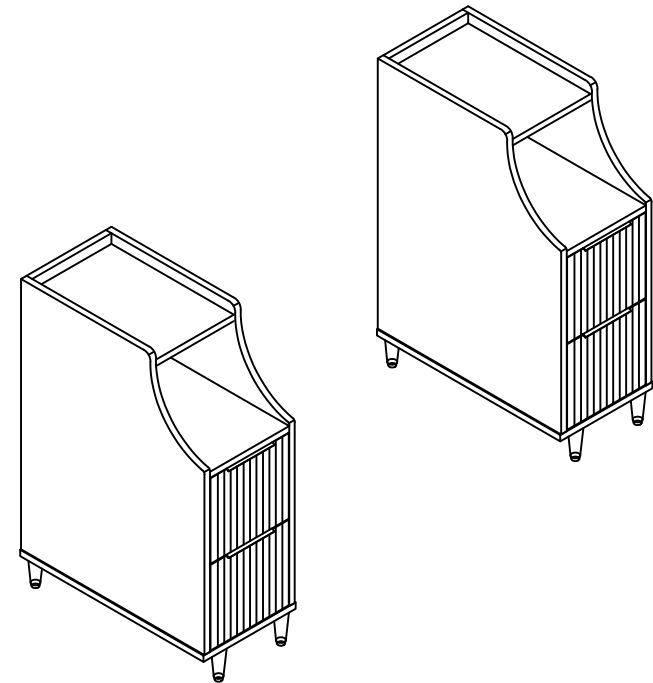


Installation Guideline

Model Number: 2433

Color: Black

Product Size: 7.9x15.7x25.3in/20x40x62cm



If you have any question, please feel free to contact us by Amazon email

Foreword:

Thank you for choosing our product!

We hope you have a great shopping experience! We aim to provide you with 100% satisfactory products and customer

service. If you find the received product has any defects such as broken mirror, missing components, or you have issues

about the installation instruction, please feel free to contact us without hesitation, we will reply you within 12 hours and are honored to be able to help you with professional assistance.

Specifications:

Product Name: Makeup Vanity Desk with Lights and Mirror

Model: 2433

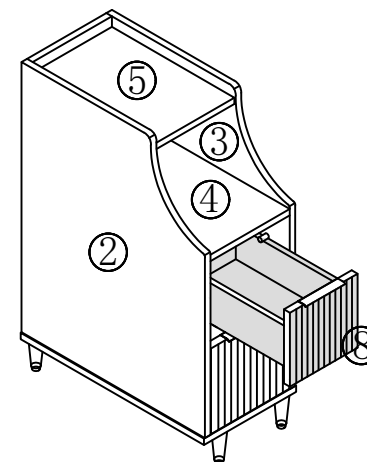
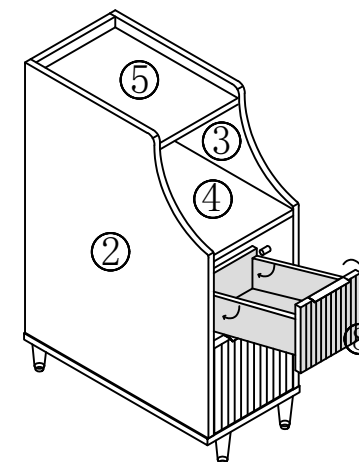
Package

Dimension: 23.6x18.5x7.9in/60x47x20cm

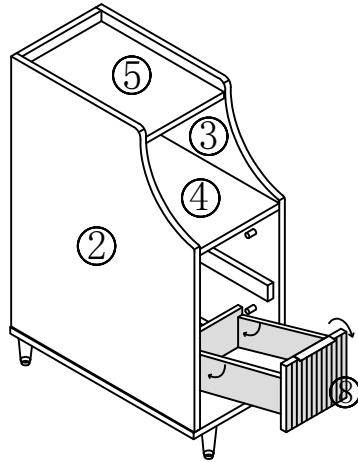
Product Size: 7.9x15.7x25.3in/20x40x62cm

Weight: 46.3lb/21kg

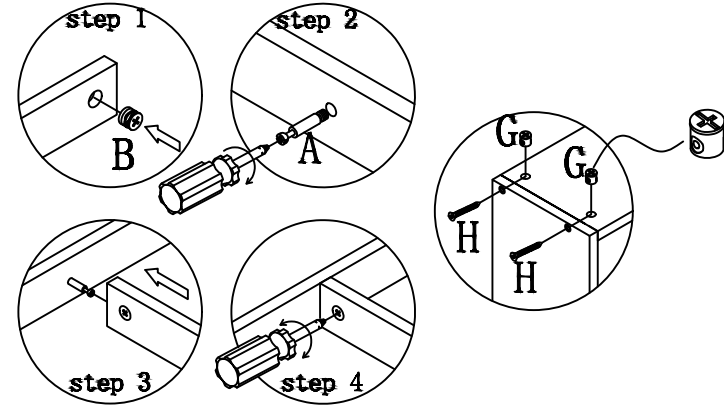
STEP 14



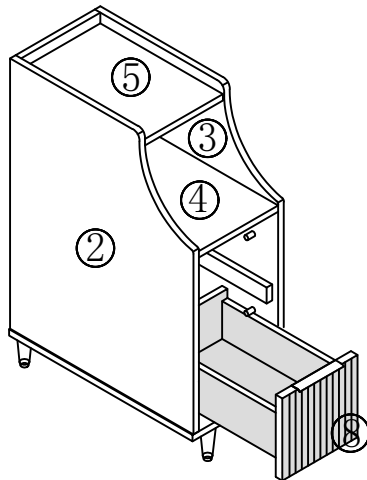
STEP 13






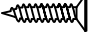





2433 Left cabinet A, B, G, H, C, D installation guide



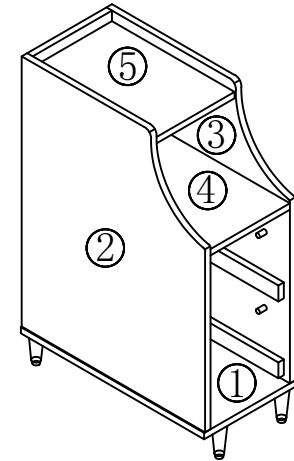
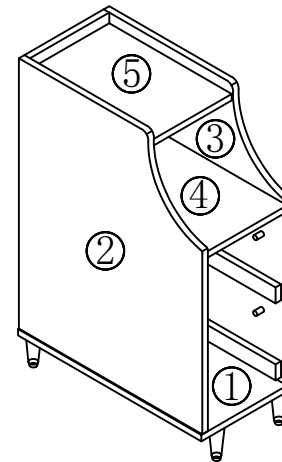
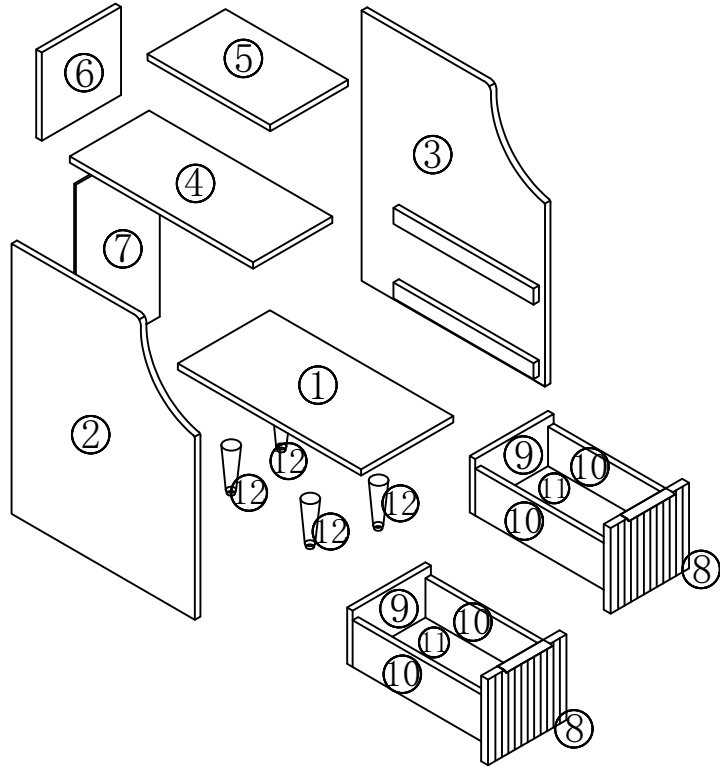
Accessories



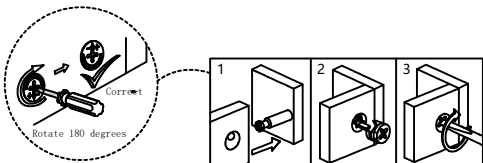
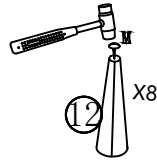
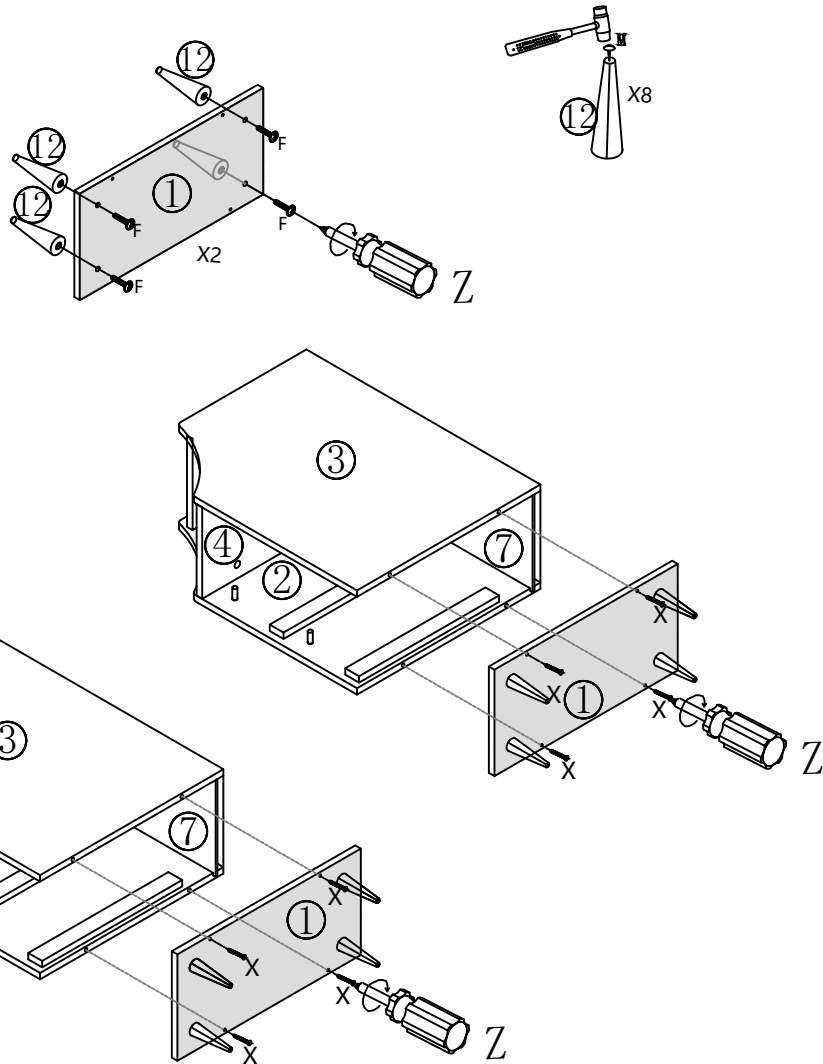
 Three-in-one screw A*56	 Three-in-one nut B*56	 Small Screw D*8	 Handle E*4	 Handle Screw F*8	 Small Screw X*8
 Door stopper T*8	 Stool foot nail M*8	 screwdriver Z*1			

2433

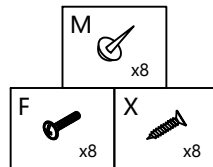
STEP 12



STEP 11



15

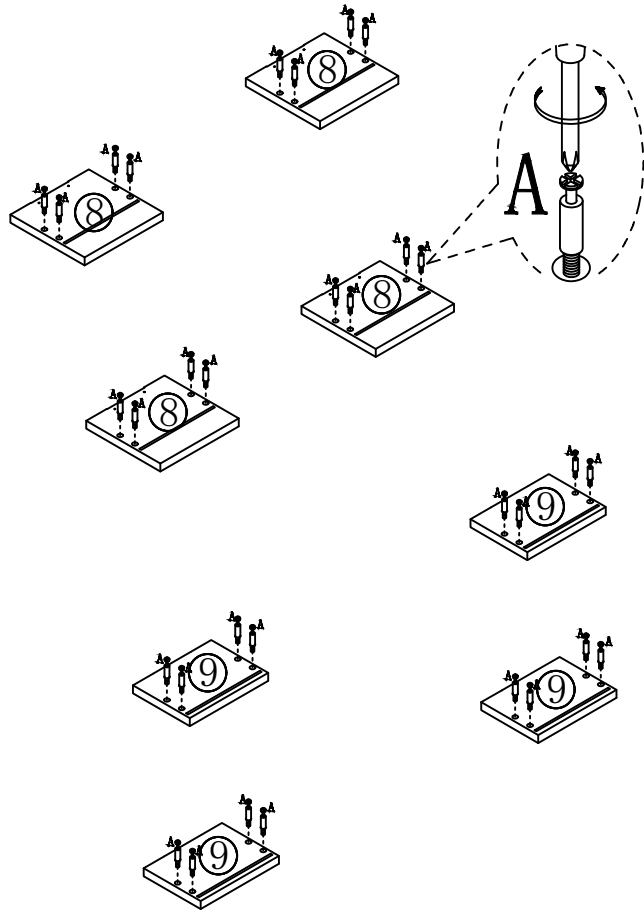


Guidelines for the use of 3-in-1 connecting rods:
 The blue screw cap at the bottom of the 3-in-1 connecting rod is twist-able, and it can be twisted clockwise or counterclockwise to fit the size of the reserved holes in the wooden board.

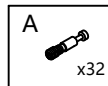
When you use this 3-in-1 connecting rod, if you find that it can't be inserted into the reserved holes on the wooden board, just loosen the blue screw cap a bit until it fits into the holes of the board. Then use a screwdriver to tighten the screws. Note: If the bottom blue screw cap is not stretched apart by the three-in-one connecting rod in the reserved hole, the connected part will appear unstable .

STEP 1

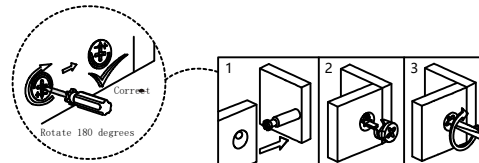
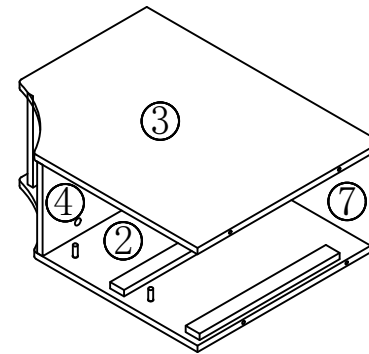
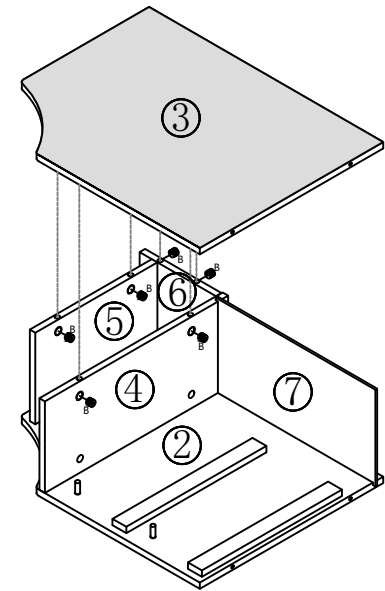
Put it into the reserved holes and tighten the screw



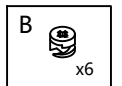
5



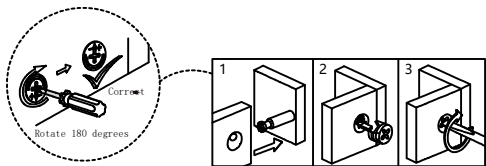
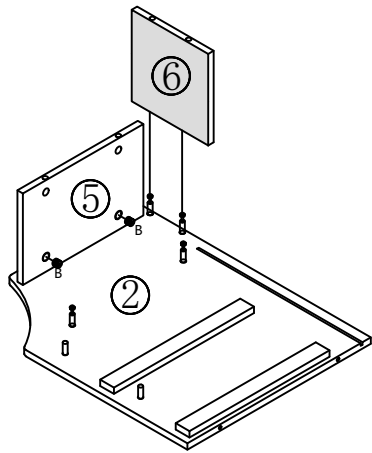
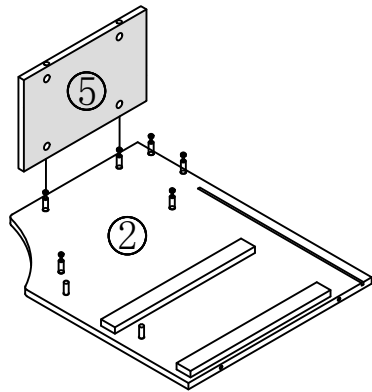
STEP 10



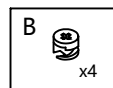
14



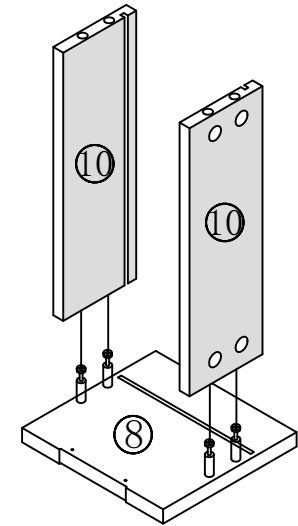
STEP 9



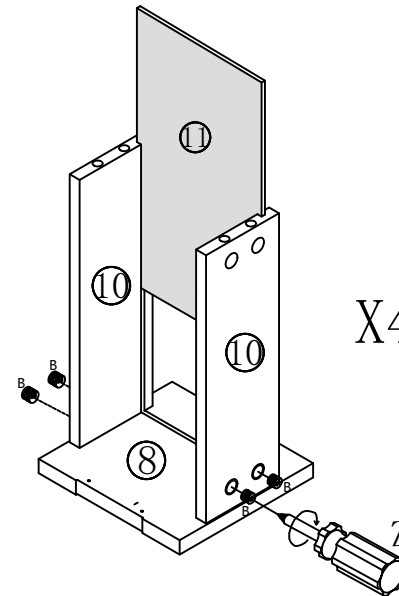
13



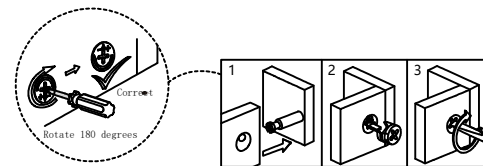
STEP 2



X4



X4

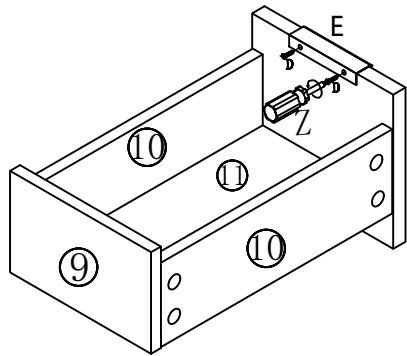
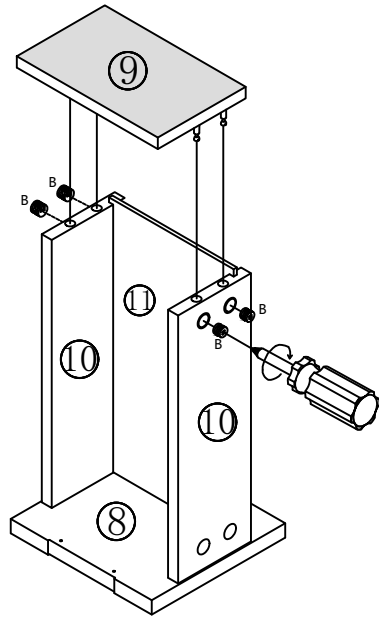


6

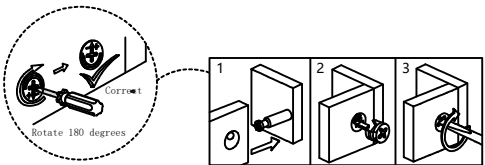


STEP 3

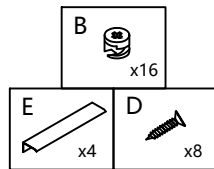
X4



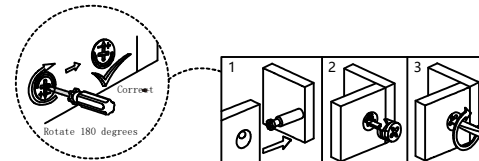
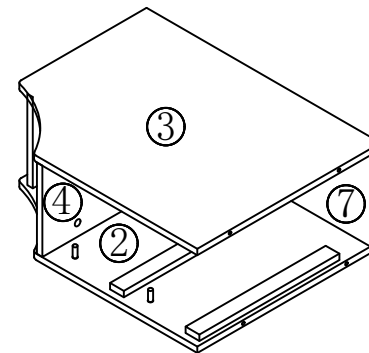
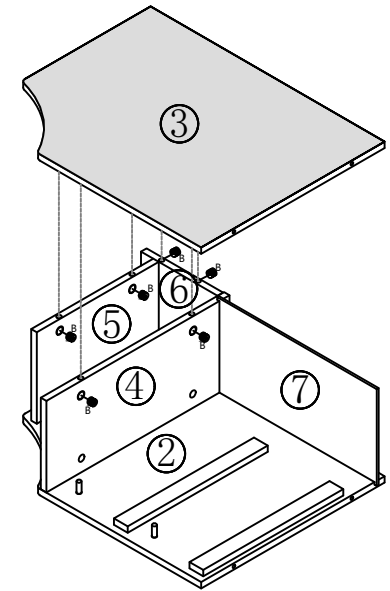
X4



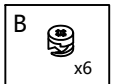
7



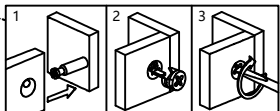
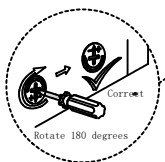
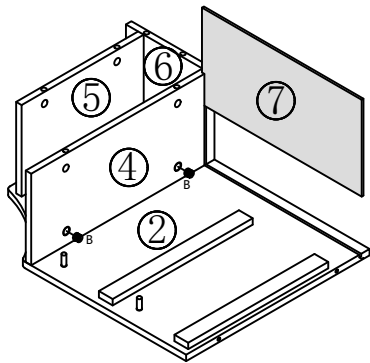
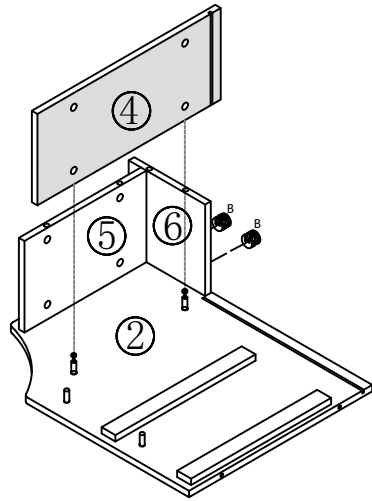
STEP 8



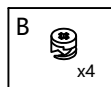
12



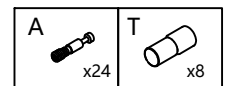
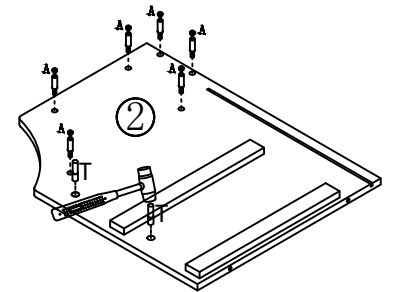
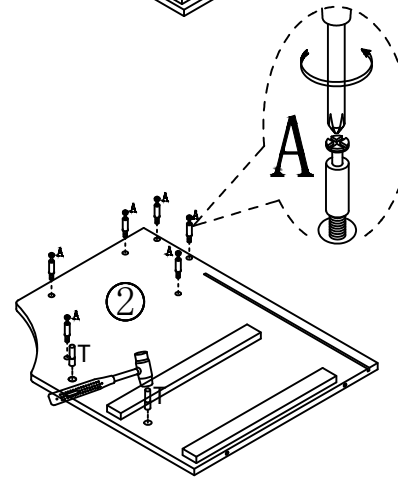
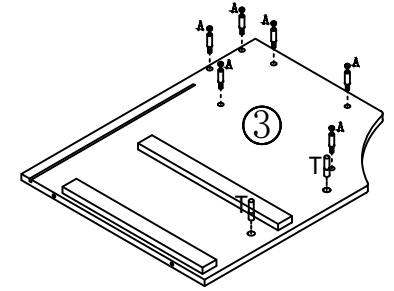
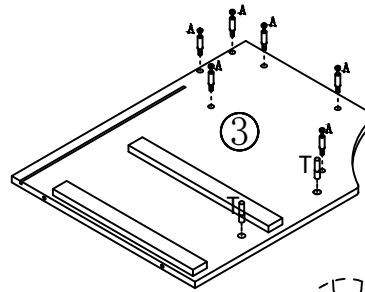
STEP 7



11

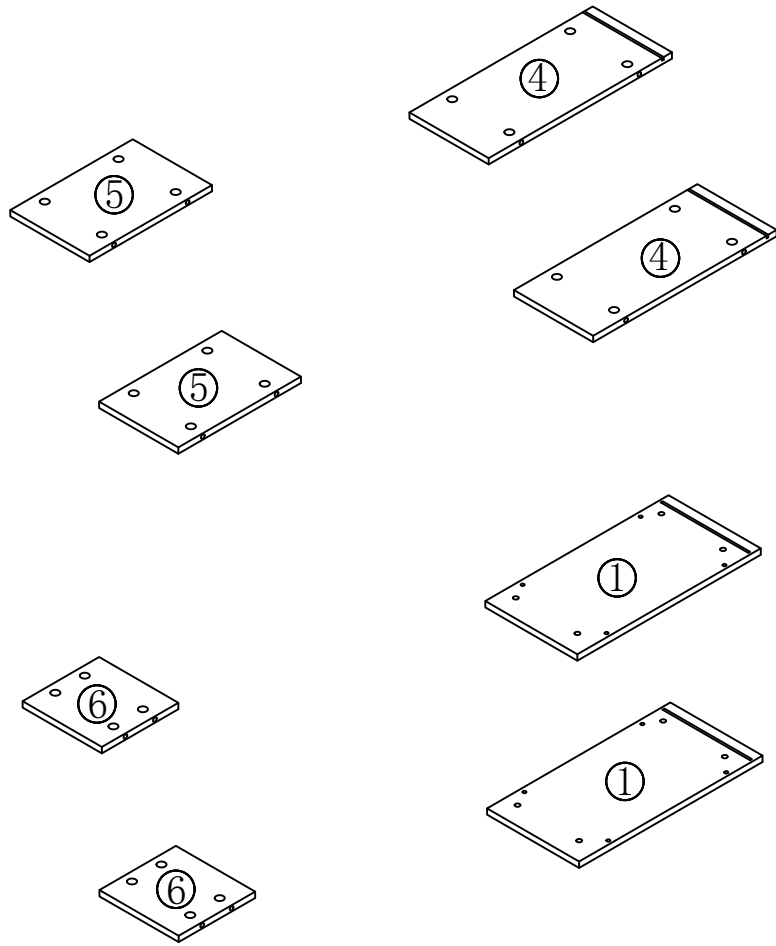


STEP 4



8

STEP 5



STEP 6

