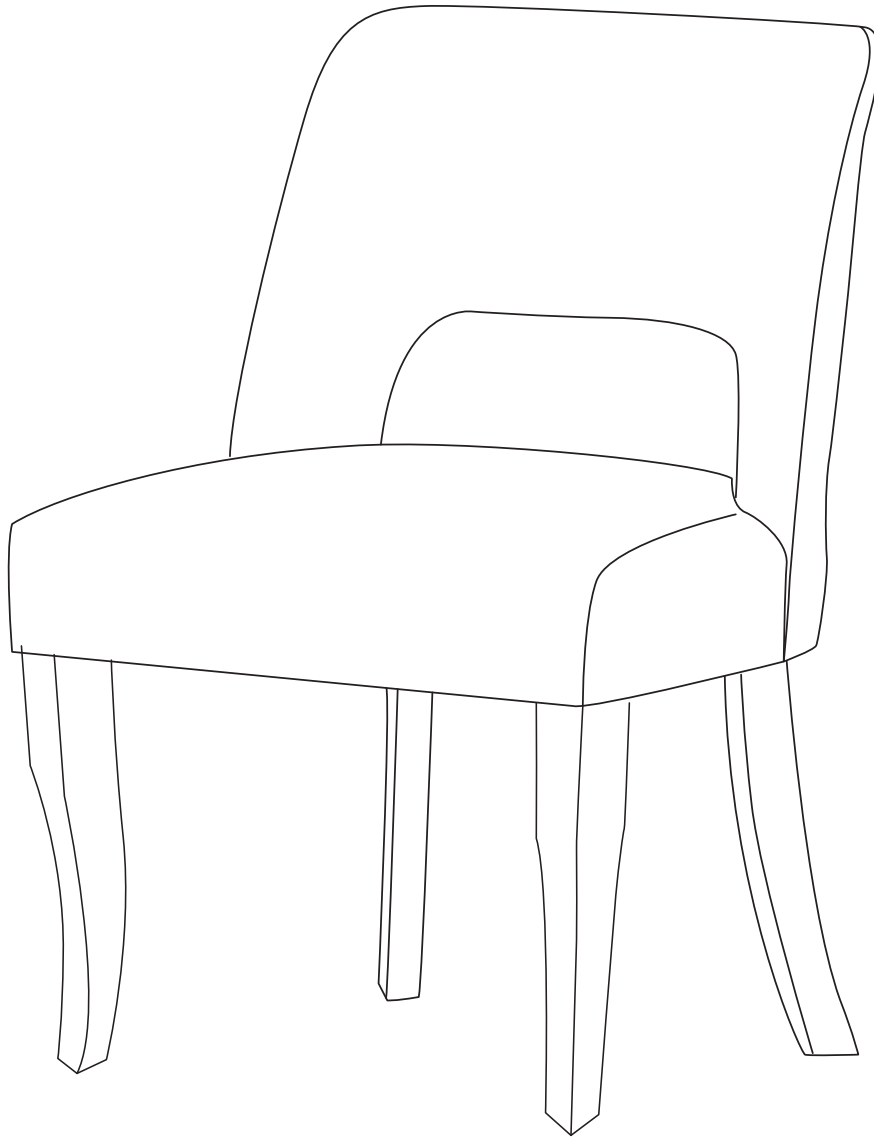


ASSEMBLY INSTRUCTIONS

SKU: MS-014



A Quick Message saves Your Time & Effort

————— Don't Return in Frustration, Resolve with Satisfaction —————

EMAIL SUPPORT

anjilinpai@outlook.com

AFTER-SALES HOTLINE

1-213-757-59657

Daily (PST) 09:00-18:00

Warranty

LIMITED WARRANTY

This warranty is a limited warranty, and applies to the original purchase is required. This is a residential warranty and does not apply to commercial use. This collection carries a (1) year limited warranty and is valid from original date of purchase to the original owner (proof of purchase required).

WHAT IS COVERED

We warrant the frame to be free of Manufacturing defects to the original purchaser for one year.

WHAT IS NOT COVERED

This warranty does not cover commercial use, hardware, acts of nature, fire, freezing and abusive.

In addition, purchased parts are not covered under this warranty.

We reserve the right to make substitutions with similar merchandise, if the model in question is no longer in production.

For a copy of our full limited warranty, please contact our customer service team.

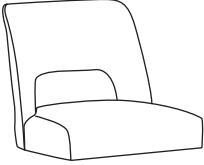

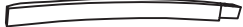



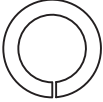


Cleaning and Maintenance

- Clean the furniture with damp cloth, rinse thoroughly. Dry frame parts completely. Do not use bleach, acid or other solvents on the textile or metal parts.
- We recommend the use of furniture covers to protect the product when not in use.
- Inspect and tighten all screws on a regular basis to ensure proper performance and safety.
- In order to prolong the life and beauty of your product, we recommend storing it in a dry and protected area during off season periods.

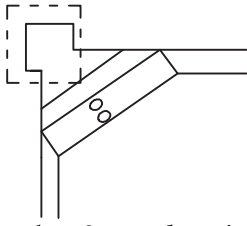
ANTES DE INICIAR:

1. Revise el manual detenidamente y distinga cada pieza y tornillo.
2. Siga paso a paso el instructivo y asegúrese de hacer buena presión en las piezas para su correcta fijación.

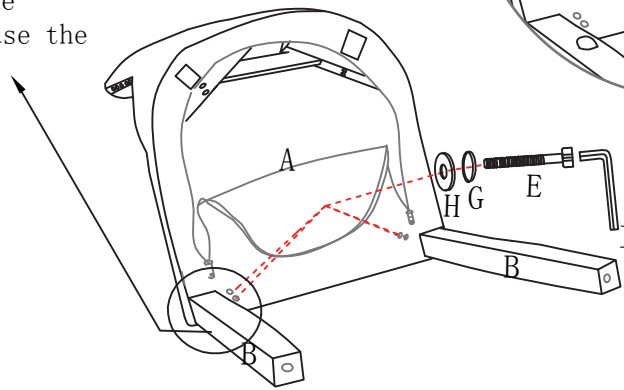
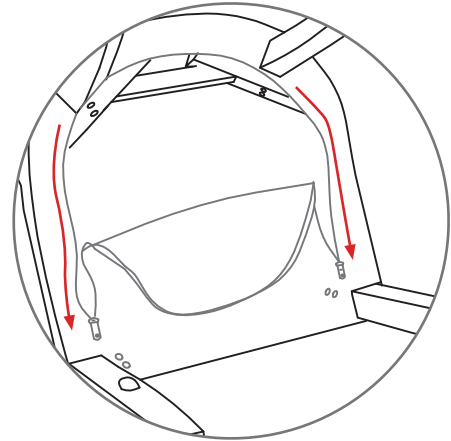
PIEZAS Y TORNILLOS

<p>A x1</p> 	<p>B x2</p> 	<p>C x2</p> 
<p>D x2</p> 	<p>E x4</p>  <p>M8*60mm</p>	<p>F x4</p>  <p>M8*50mm</p>
<p>G x8</p>  <p>M8</p>	<p>H x8</p>  <p>M8*22mm</p>	<p>I x1</p>  <p>⬡ M8</p>

STEP 1 The legs are hidden under the seat frame

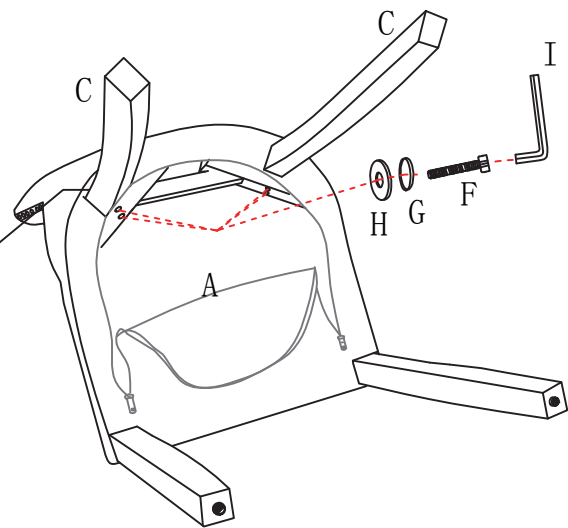
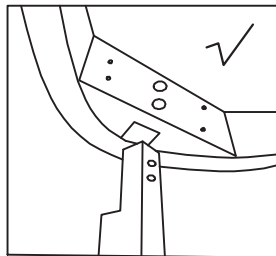
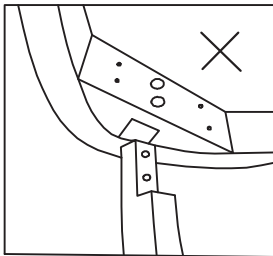


Put the front leg in the dotted box place, if you put it in the wrong place, it still can work, but the uneven force will cause the leg to break.



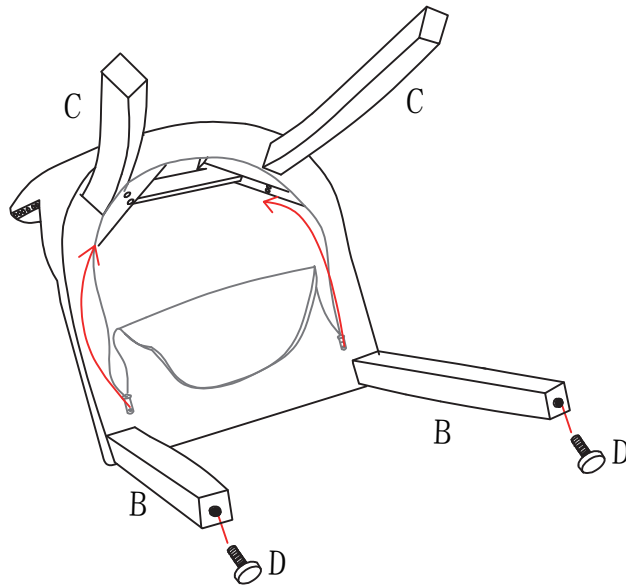
Tighten all the screws to 80% of maximum tightness

STEP 2



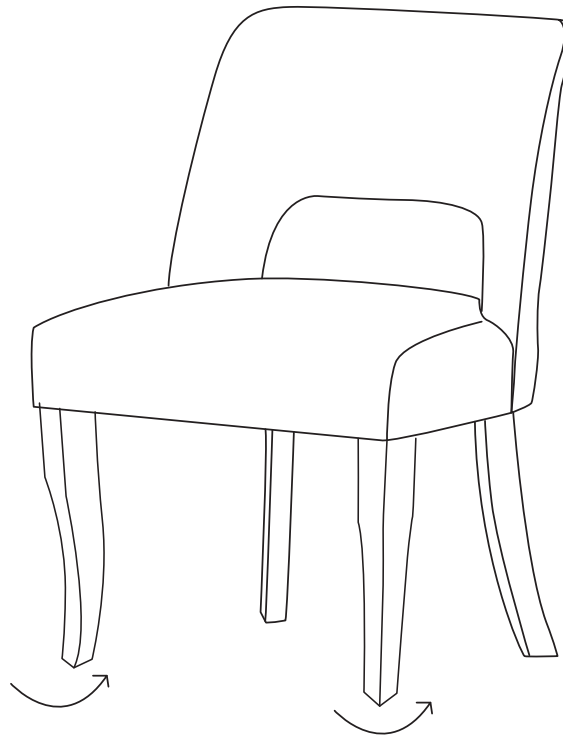
Tighten all the screws to 80% of maximum tightness

STEP 3



- 1.screw D into B
- 2.Carefully sit on the chair and make adjustments to ensure the legs are flat even on the floor.
- 3.Tighten all the screws to 100% of maximum tightness
- 4.Close the zipper of bottom Non-Woven fabric.

STEP 4



Adjust the adjuster bolt to keep the chair level again.

STEP 5

