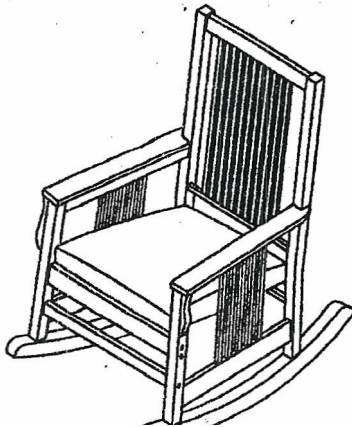


CHAIR & TABLE COMPANY

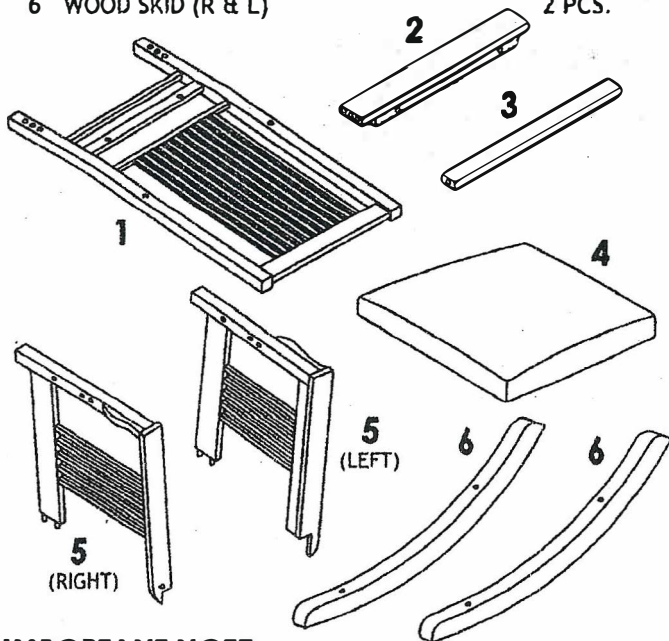
Assembly Instructions

MISSION ROCKER



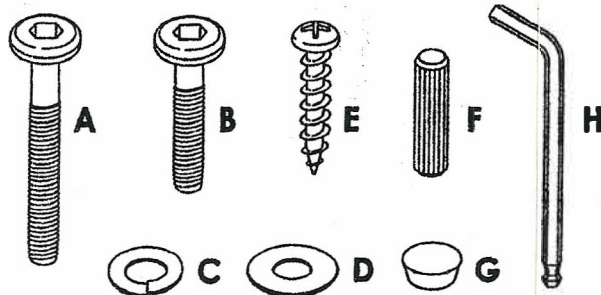
PARTS LIST :

1 CHAIR BACK PANEL	1 PC.
2 FRONT RAIL	1 PC.
3 FRONT STRETCHER	1 PC.
4 CUSHION SEAT	1 PC.
5 ARM REST FRAME ASSEMBLY (R & L)	2 PCS.
6 WOOD SKID (R & L)	2 PCS.



HARDWARE LIST :

A LONG JCBC SCREW-M6x60mm	14 PCS.
B SHORT JCBC SCREW-M6x40mm	2 PCS.
C SPRING WASHER-M6	16 PCS.
D FLAT WASHER-M6	2 PCS.
E PAN HEAD WOOD SCREW-M4x32mm	2 PCS.
F WOOD DOWEL-DIA. 10x30mm	6 PCS.
G WOOD BUTTON-14.5mm DIA.	10 PCS.
H LONG ALLEN KEY	1 PC.



TOOLS REQUIRED (NOT INCLUDED) :

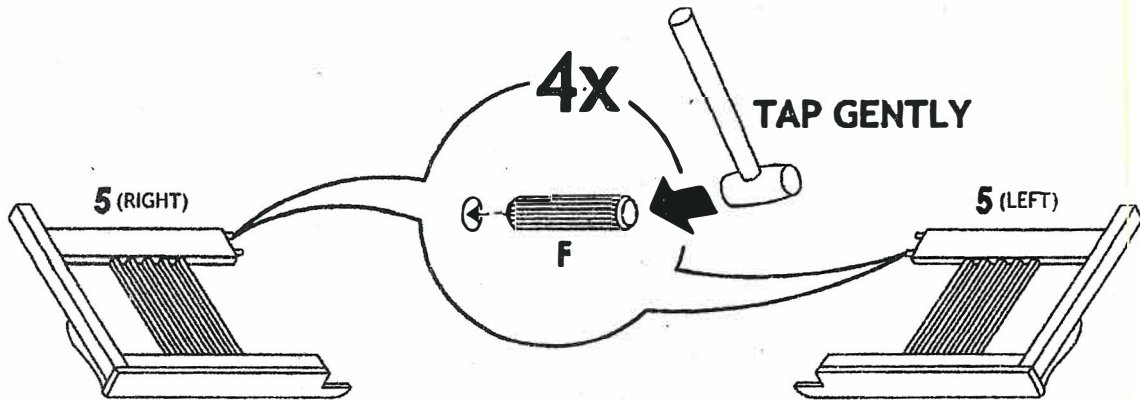


IMPORTANT NOTE :

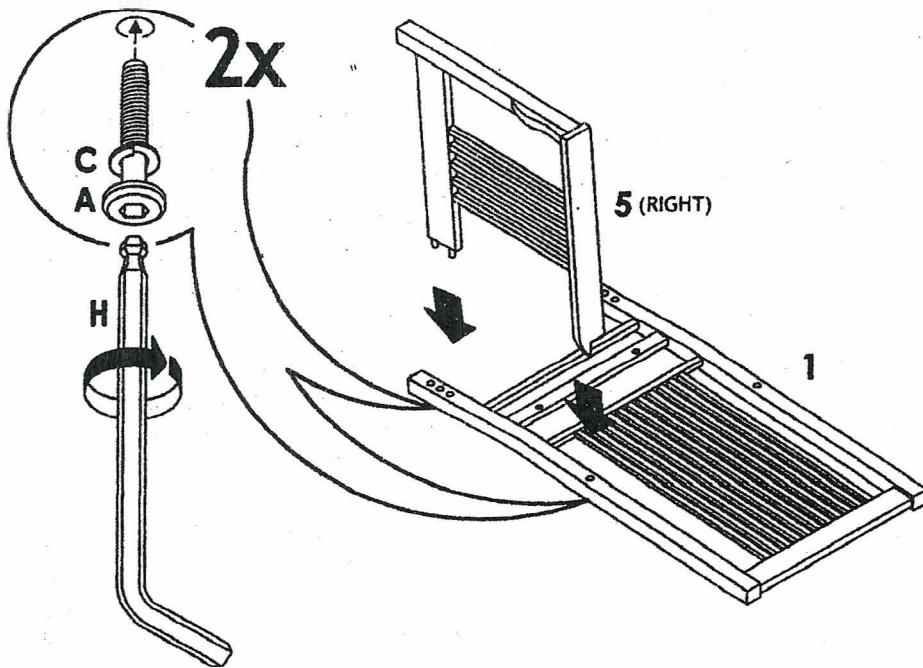
- Place all wooden parts on a clean and smooth surface such as a rug or carpet to avoid the parts from being scratched. Check to be sure that you have all parts and hardware. Remove all wrapping materials, including staples & packing straps before you start to assemble. Do not tighten all screws/bolts until all completely assembled.
- Keep all hardware parts out of reach of children.
- **DO NOT TIGHTEN BOLTS/SCREWS UNTIL ALL COMPLETELY ASSEMBLED.**

Assembly Instructions
MISSION ROCKER

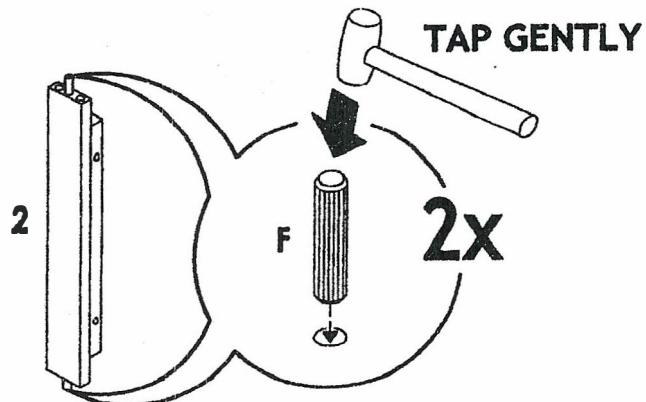
1



2

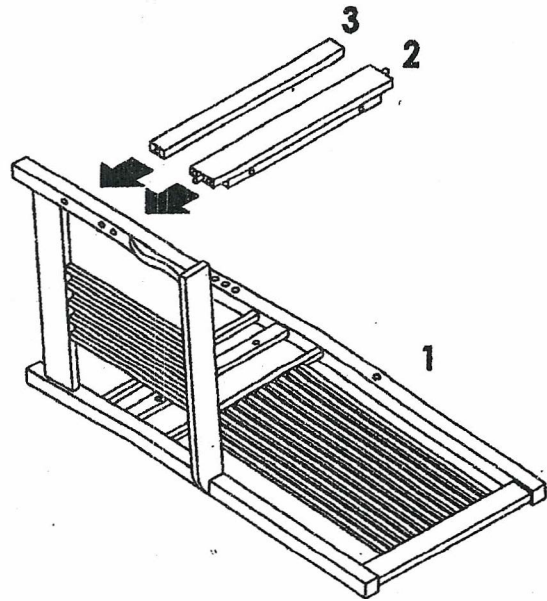


3

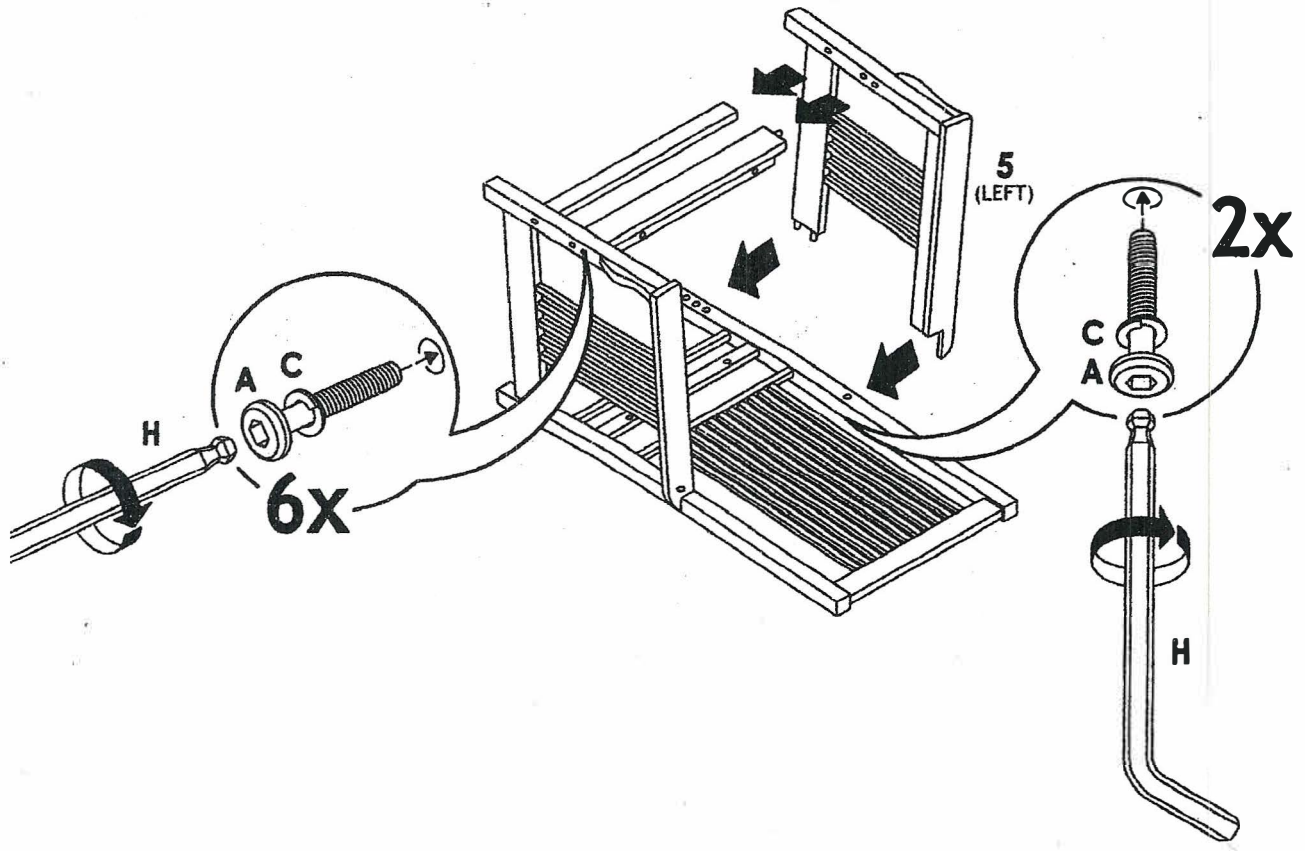


Assembly Instructions
MISSION ROCKER

4

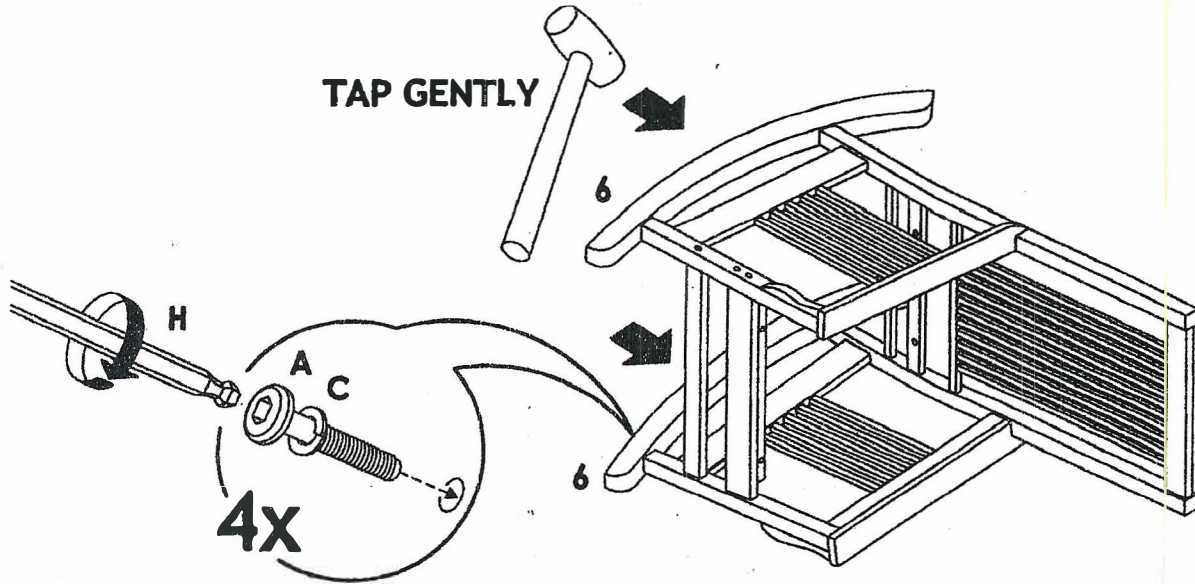


5



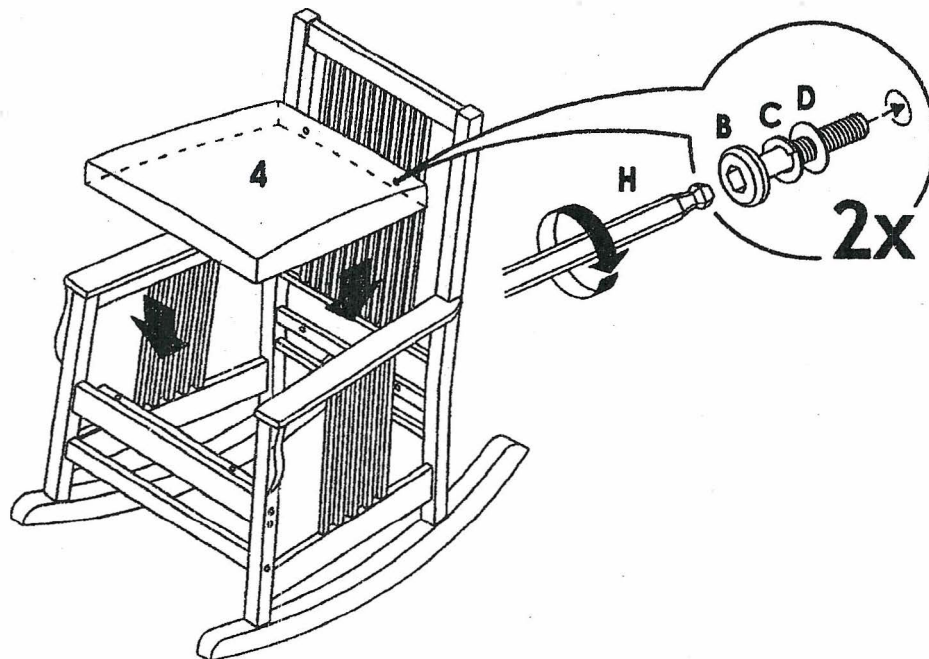
Assembly Instructions
MISSION ROCKER

6



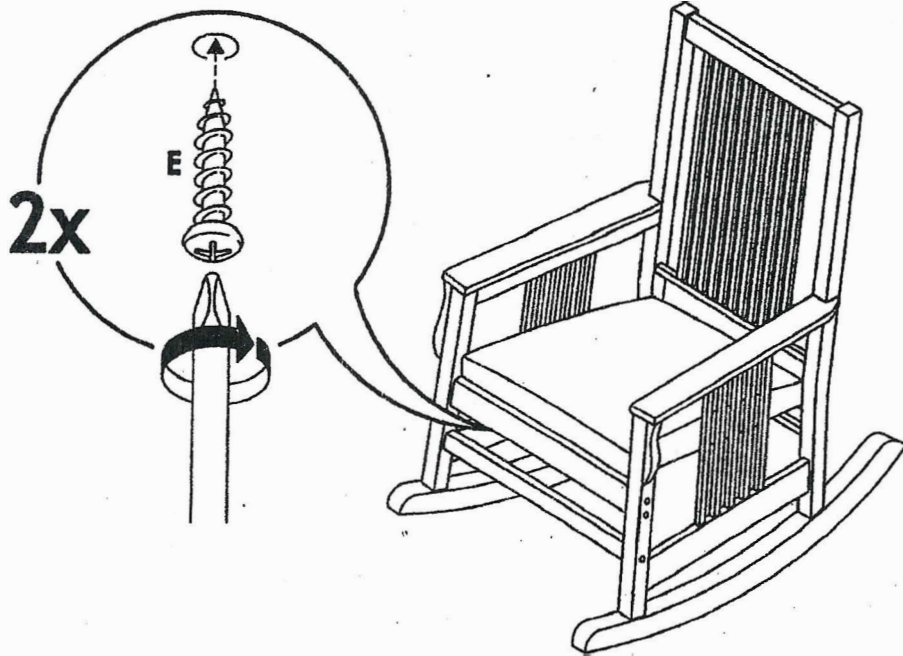
7

THE FABRIC COVER ON THE BACK OF THE SEAT IS HELD IN PLACE WITH VELCRO. YOU WILL NEED TO PULL THE FABRIC COVER DOWN IN ORDER TO EXPOSE THE SCREW HOLES.

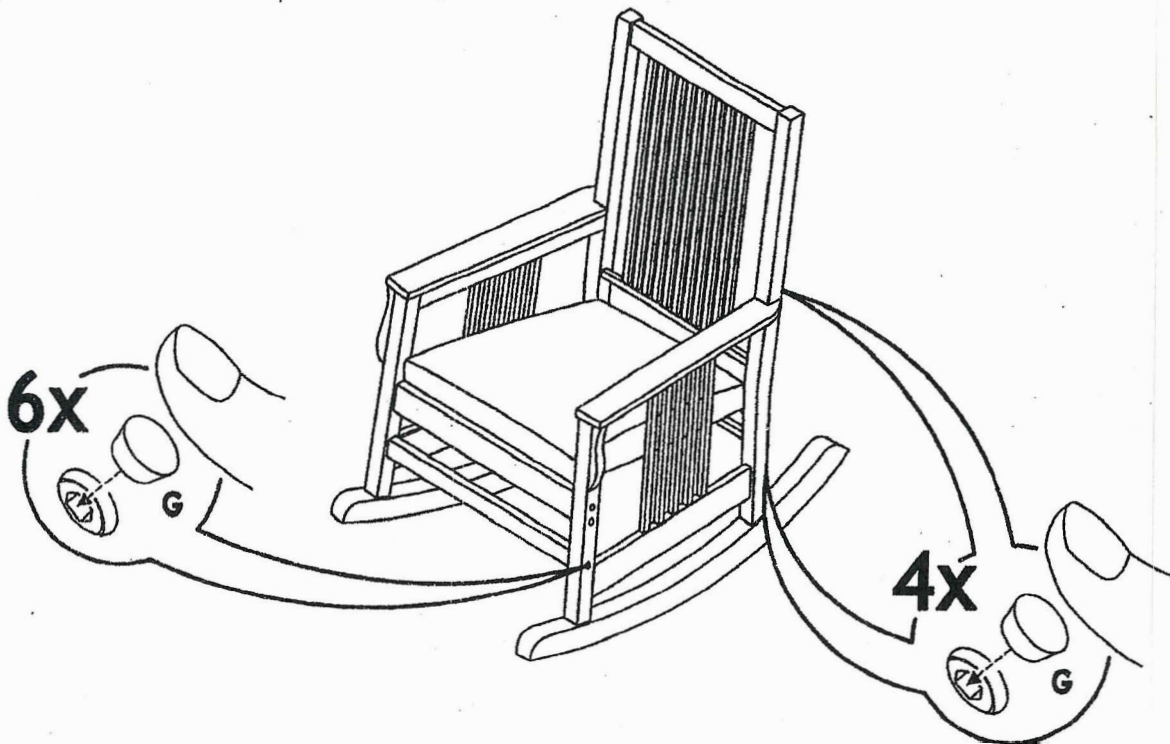


Assembly Instructions
MISSION ROCKER

8



9



CARE AND MAINTENANCE

- The touch of a soft cloth is all the maintenance your wood pieces will ever need. Never use harsh chemicals or abrasive cleaners, as they could mark or destroy finish.
- Bolts, screws, and nuts may loosen during everyday use. They should be periodically inspected and re-tightened. Always visually check that all hardware on the list is attached and kept tightened.