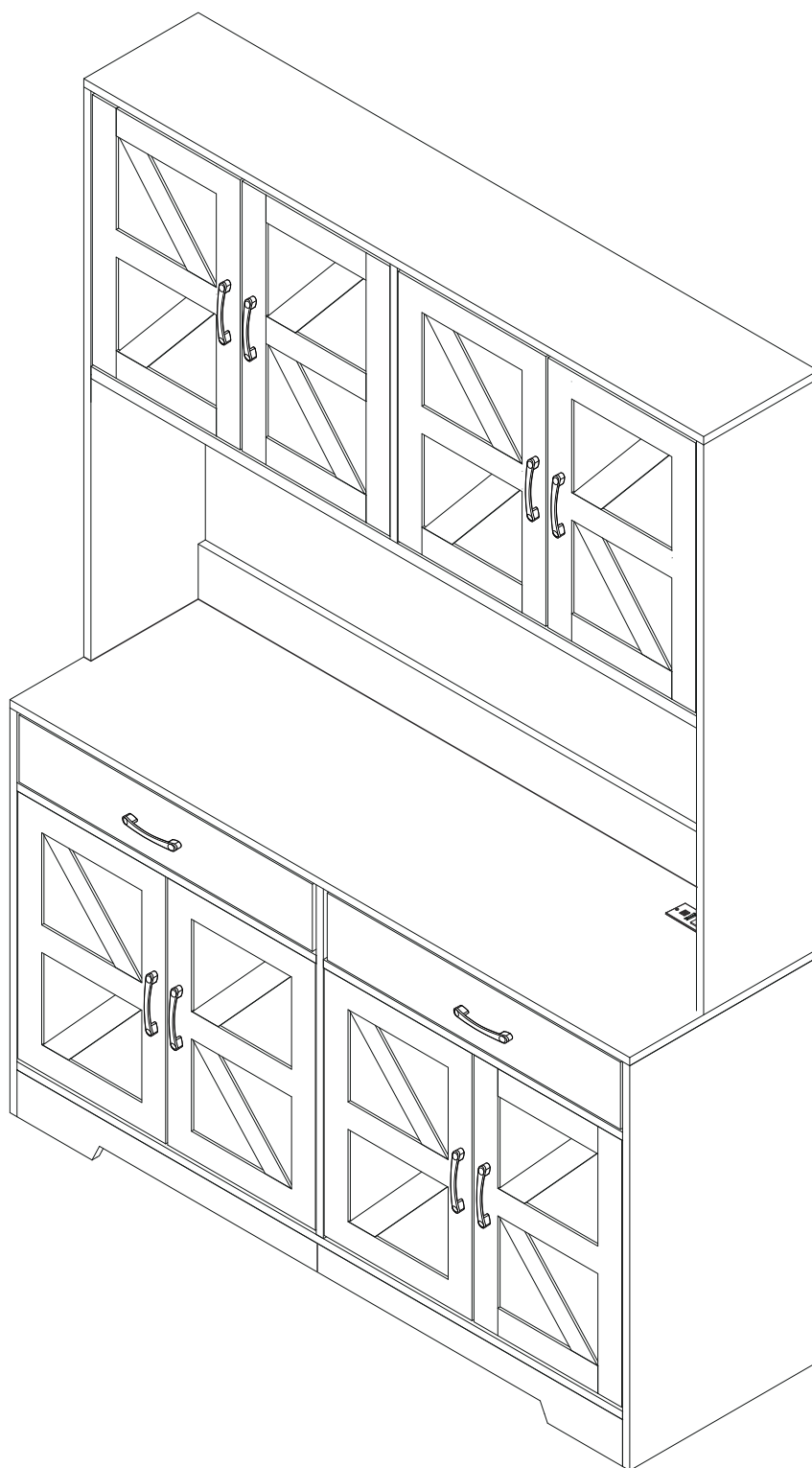


# ASSEMBLY INSTRUCTIONS

## Pantry Storage Cabinet



***Thank you for purchasing our product!***

*Please refer and use this assembly instruction to assemble the product.*

*Contact our customer service department in case there are any missing or damaged parts or hardware. We will solve for you as soon as possible.*

## ***ASSEMBLY PREPARATION:***

1. Remove all packaging materials, staples and packing straps from the carton.
2. Refer to Parts List and Hardware List and ensure they are correct before assembly. Contact customer service for missing parts.
3. Place all wooden parts on a clean, flat and soft surface (e.g. carpet or rug) to prevent parts from getting scratched.

## ***SAFETY PRECAUTION:***

1. Keep all hardware parts out of reach of children.
2. Dispose plastic packaging material immediately to avoid any risk of suffocation to children and animals..

## ***TIPS FOR ASSEMBLY:***

1. Allow ample room for assembly and in close proximity to where product will be placed.
2. Assemble the product on a surface that does not scratch or damage the exterior gloss and finish of the furniture.
3. Identify all of the parts, hardware and quantities required for each step.
4. During assembly, do not over-tighten any fittings as this may cause damage.
5. DO NOT USE POWER TOOLS TO ASSEMBLE THIS PRODUCT.
6. Always place the product on a flat, level surface.
7. Do not sit or stand on the partially assembled product; only use the product for which it is intended.

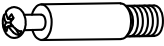






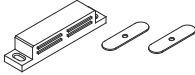
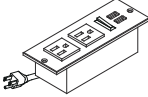
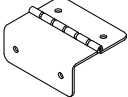
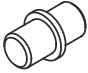



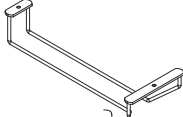



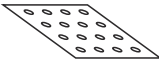
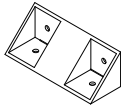
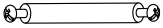



## ***CARE AND MAINTENANCE:***

- Use a slightly damp cloth to clean the product. Do not use bleach or abrasive cleaning material.
- Check all the fittings periodically and re-tighten as necessary. Do not use the product if any of the parts is damaged or broken.
- Never allow any kind of liquid to remain on your furniture. Absorption can cause wood to warp or delaminate.
- Do not place hot items (e.g. hot drinks) directly onto the wood surface.



# Hardware List

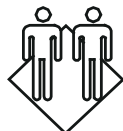
Please check if all the pieces listed below are received

<b>A</b> X93  <b>Cam bolt</b> M6X25mm	<b>B</b> X95  <b>Cam lock</b> M15X12mm	<b>C</b> X31  <b>Screw</b> M5X40mm	<b>D</b> X4  <b>Drawer slide</b> 12 inches	<b>E</b> X137  <b>Screw</b> M3X12mm
<b>F</b> X10  <b>Drawer handle</b>	<b>G</b> X20  <b>Screw</b> M4X16mm	<b>H</b> X3  <b>Door stopper</b>	<b>J</b> X1  <b>Power strip</b>	<b>K</b> X4  <b>Hinge</b>
<b>L</b> X16  <b>Shelf support</b>	<b>M</b> X2  <b>Door stopper</b>	<b>N</b> X40  <b>Plastic wedge</b>	<b>P</b> X50  <b>Screw</b> M3X15mm	<b>Q</b> X1  <b>Wine glass holder</b>
<b>R</b> X12  <b>Hinge</b>	<b>S</b> X6  <b>Light strip clip</b>	<b>T</b> X1  <b>Light strip and remote control</b>	<b>U</b> X1  <b>Screw hole cover</b>	<b>V</b> X4  <b>Corner Brace</b>
<b>W</b> X1  <b>Cam bolt</b> M6X60mm	<b>X</b> X2  <b>Anti-tip accessory</b>	<b>Y</b> X6  <b>Hook</b>	<b>Z</b> X1  <b>Screwdriver</b>	

**ASSEMBLY  
REQUIREMENTS**

**4 Hours**  
**Assembly Time**  
 (Approximate)

**2 -Person Assembly**



**Page3**

**Tools Required (Not Provided):**

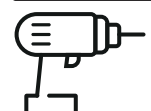
**Flat Head Screwdriver**



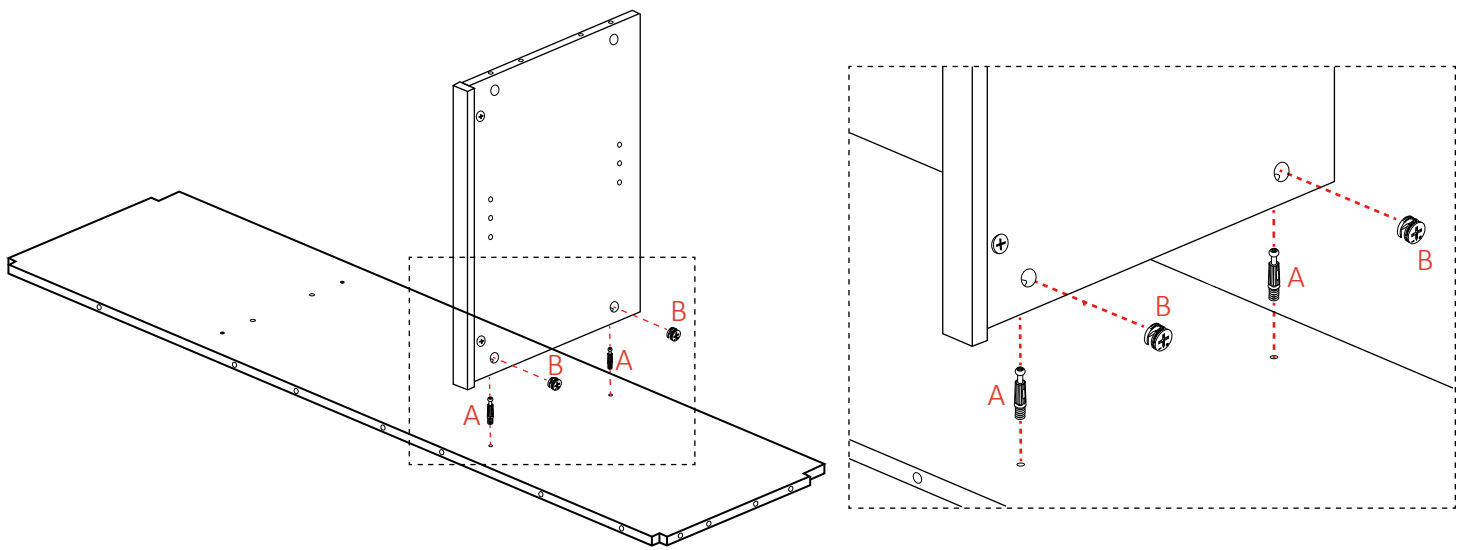
**Mark Pencil**



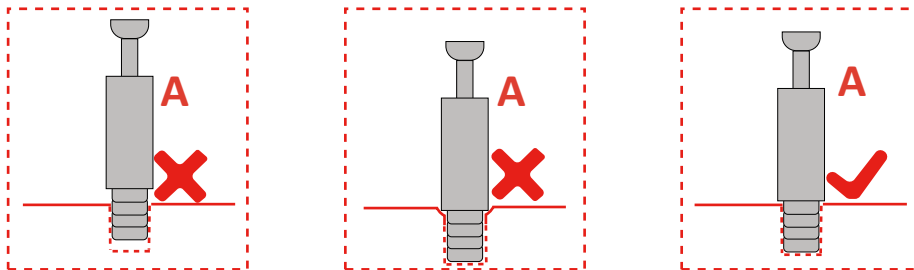
**Power Drill**



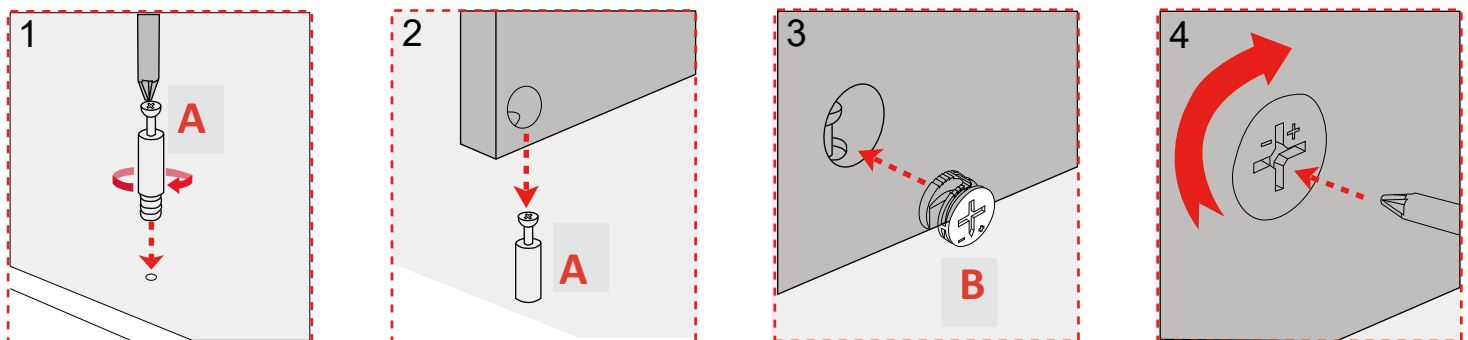
# HOW the knock down assembly system work



## CAM LOCK SYSTEM OPERATION



1. Screw the cam bolt [A] into the threaded insert on the panel.
2. Connect both panels together making sure cam bolt [A] goes into the pre-drilled large hole on the end of panel for cam lock [B].
3. Insert the cam lock [B] into the pre-drilled large hole on the panel. Make sure the cross slot of cam lock [B] faces out (The arrow should point towards Screw No. A).
4. Rotate the cam lock [B] clockwise with a self-supplied phillips screwdriver to lock the cam bolt [A] in place (Rotate 100-180 degrees until tight).

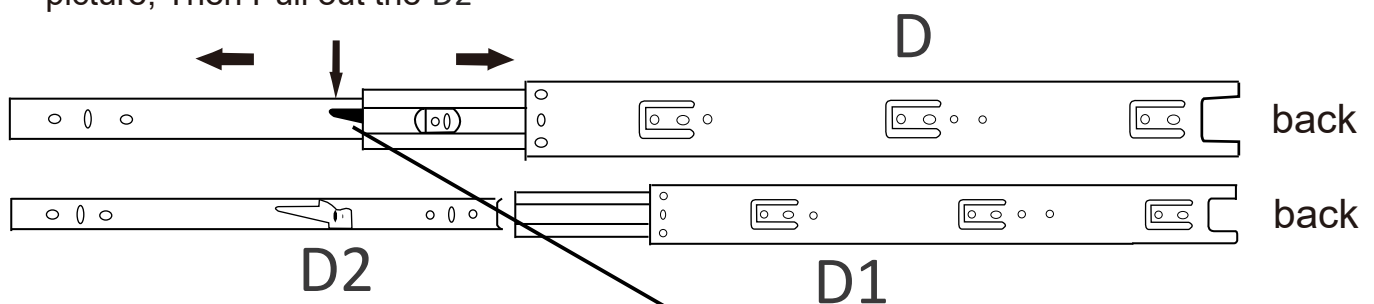




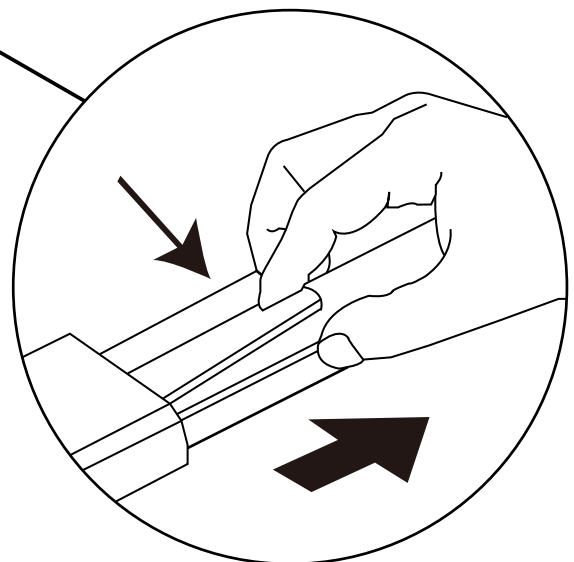
## Hardware installation demonstration

- Before installing the drawer rails, you need to split rail No. D into outer rail No. D1 and inner rail No. D2

1. Place the rail No. D as shown in picture, Then Pull out the D2



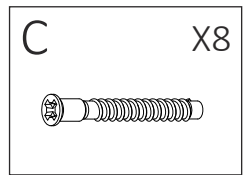
2. Find the latch position, press it and split.



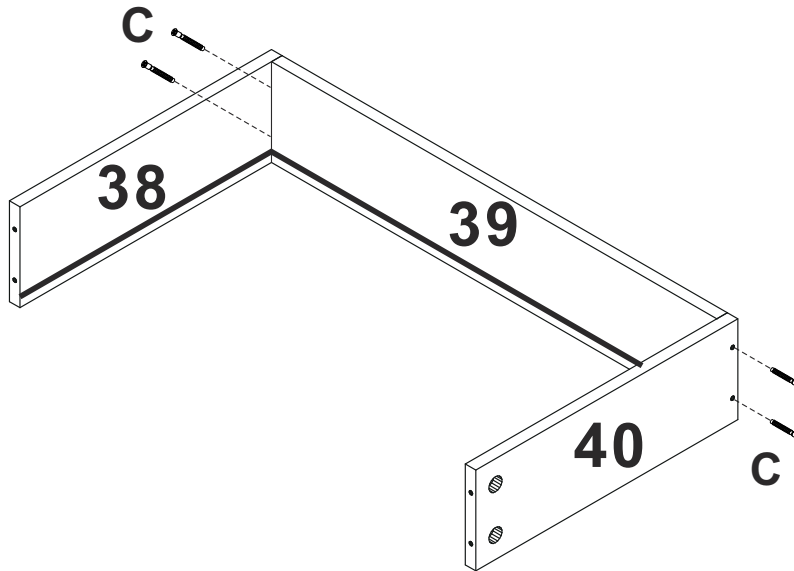
**Warm Reminder: Press it and split**

## Step 1

I. Use screws (C) to attach panels (38 and 40) to panel (39).



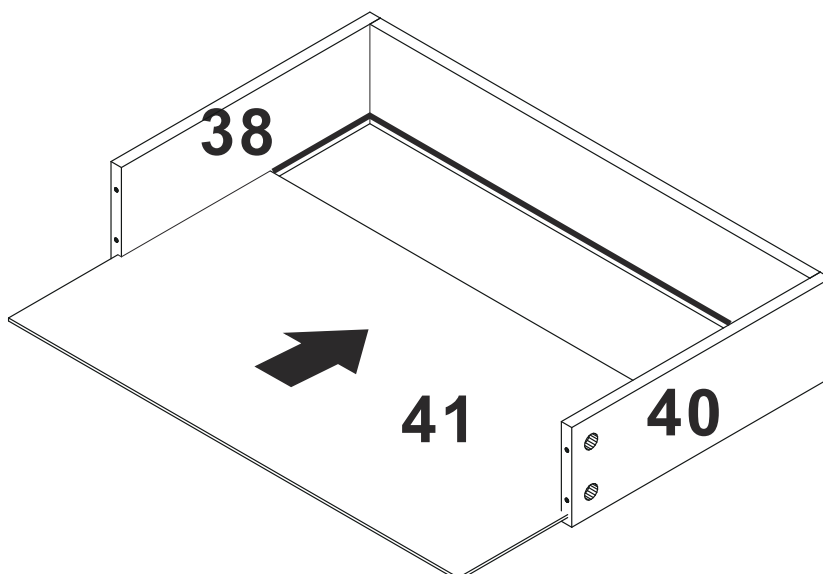
**X2**



## Step 2

I. Install panel (41) as per diagram and slide them into the grooves until they are fully seated.

**X2**

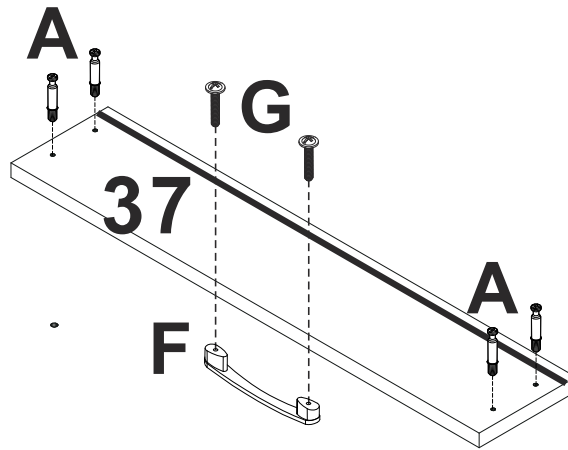


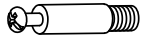


### Step 3

I. As shown in the illustration, use a screwdriver to insert the cam bolt (A) into the corresponding hole on panel (37).

II. Use screws (G) to attach the drawer handle (F) to panel (37).

**X2**

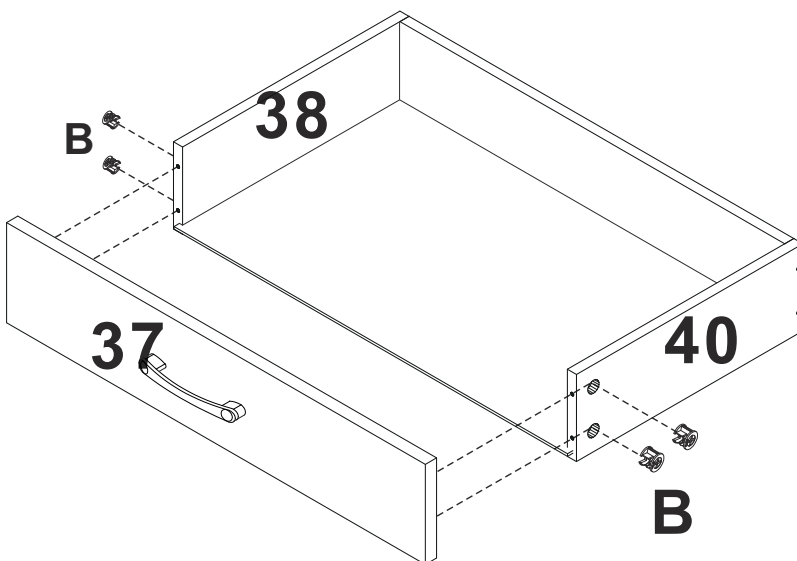



A	X8
	
F	X2
	
G	X4
	

### Step 4

I. As shown in the illustration, connect panel (37) to panels (38 and 40) insert the cam lock (B) into the corresponding holes on panels (38 and 40) and then use a screwdriver to turn the cam lock (B) clockwise to secure the cam bolt (A).



**X2**



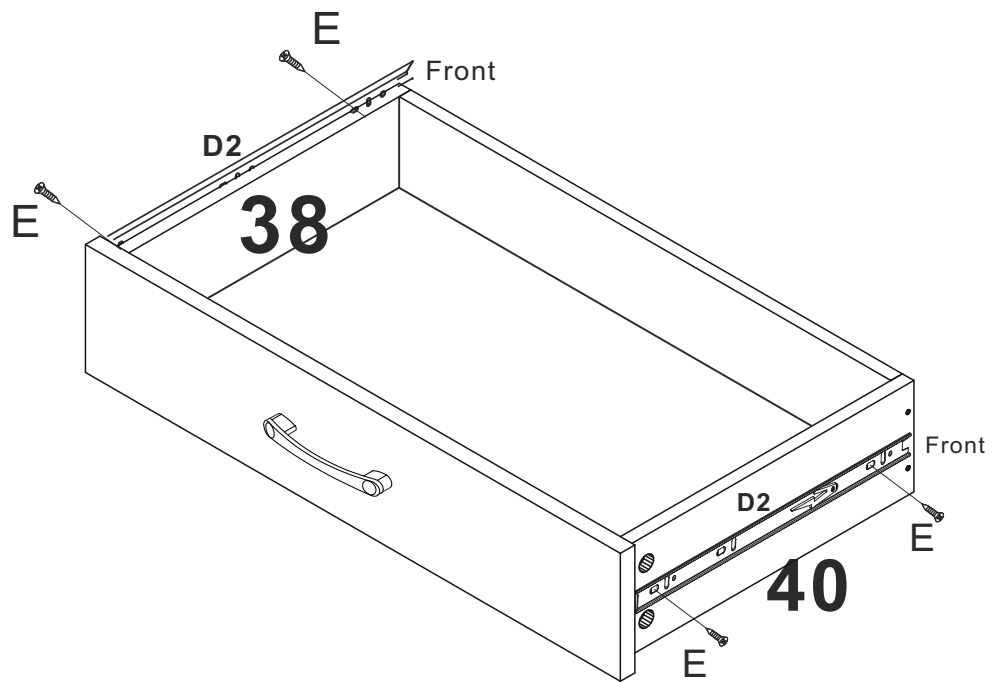
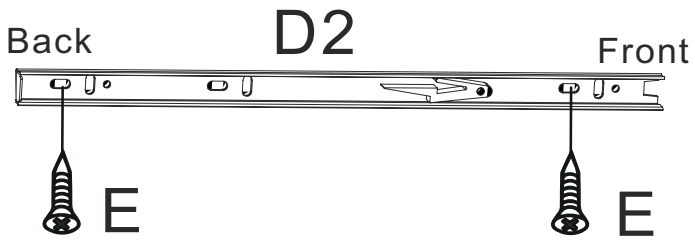
B	X8
	

## Step 5

I. Use screws (E) to attach the slide rail (D2) to panels (38 and 40).

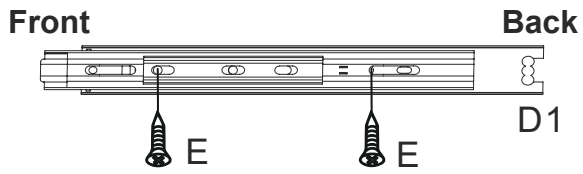
D2	X4
	
E	X8
	

**X2**

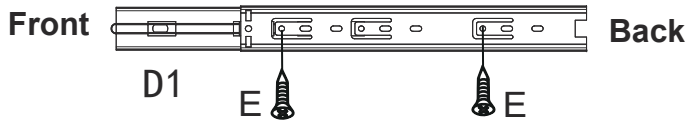


## Step 6

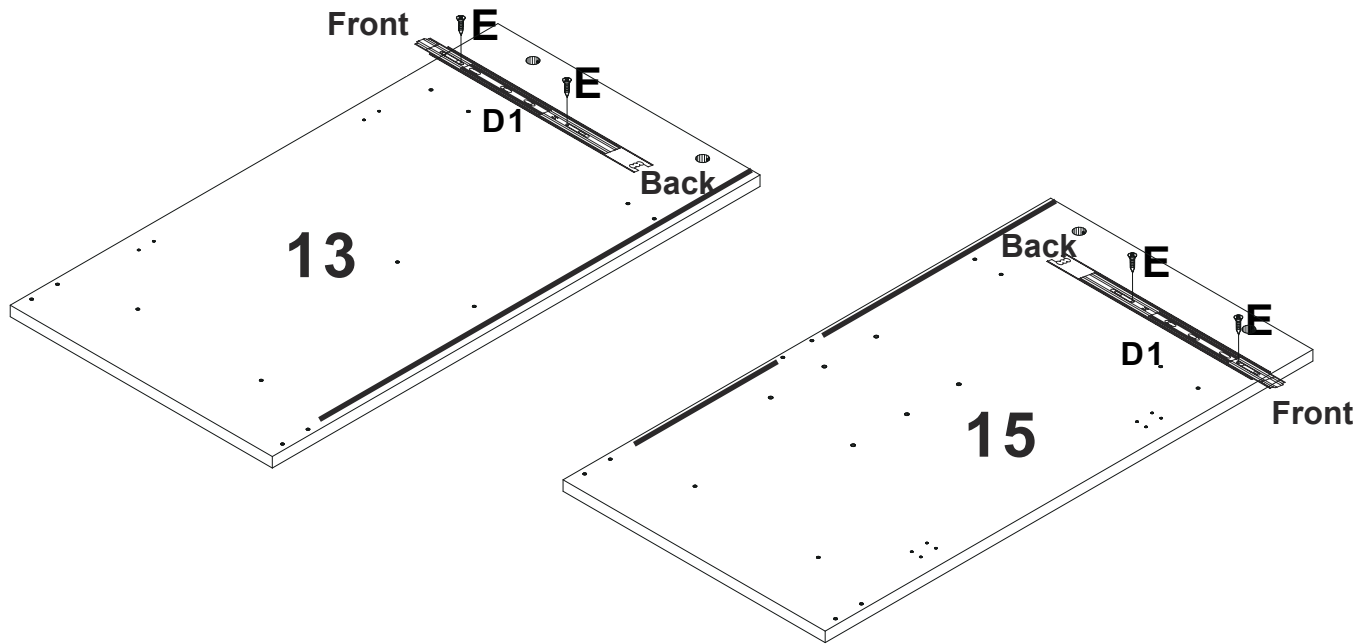
I. Use screws (E) to attach the slide rail (D1) to panels (13, 14 and 15)



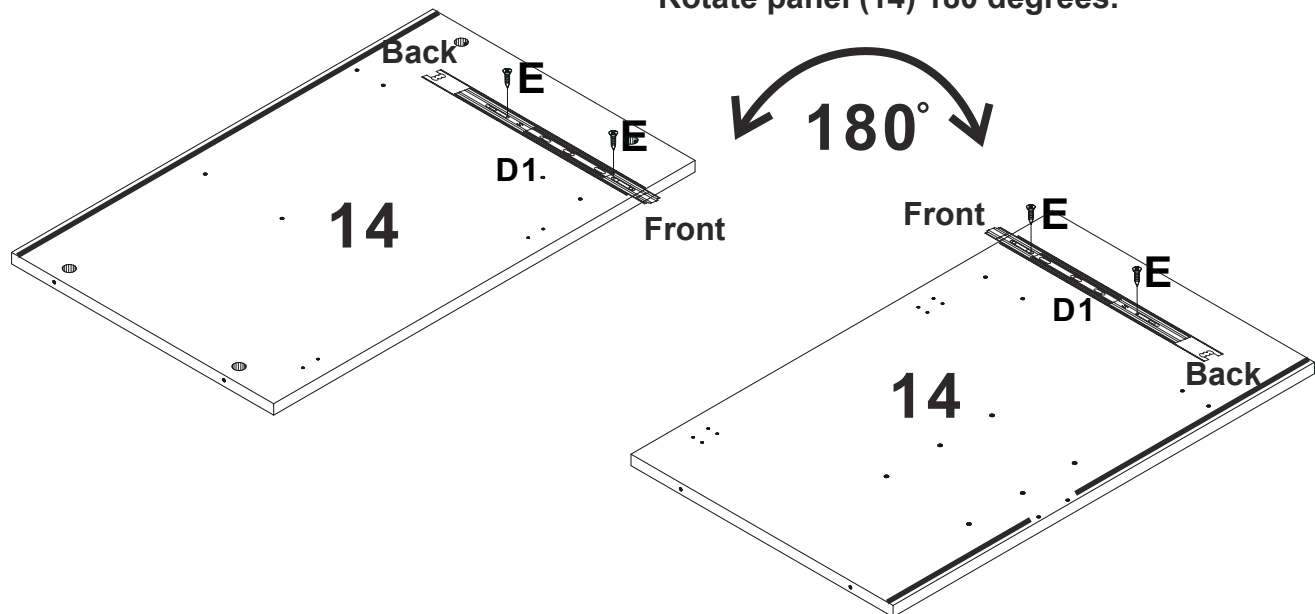
Flip to display



D1	X4
E	X8

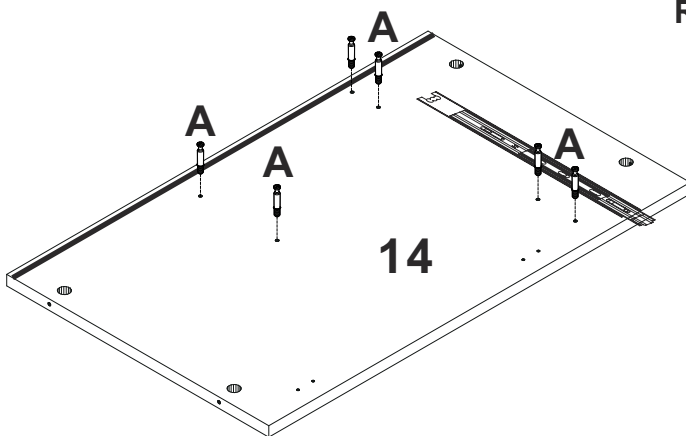
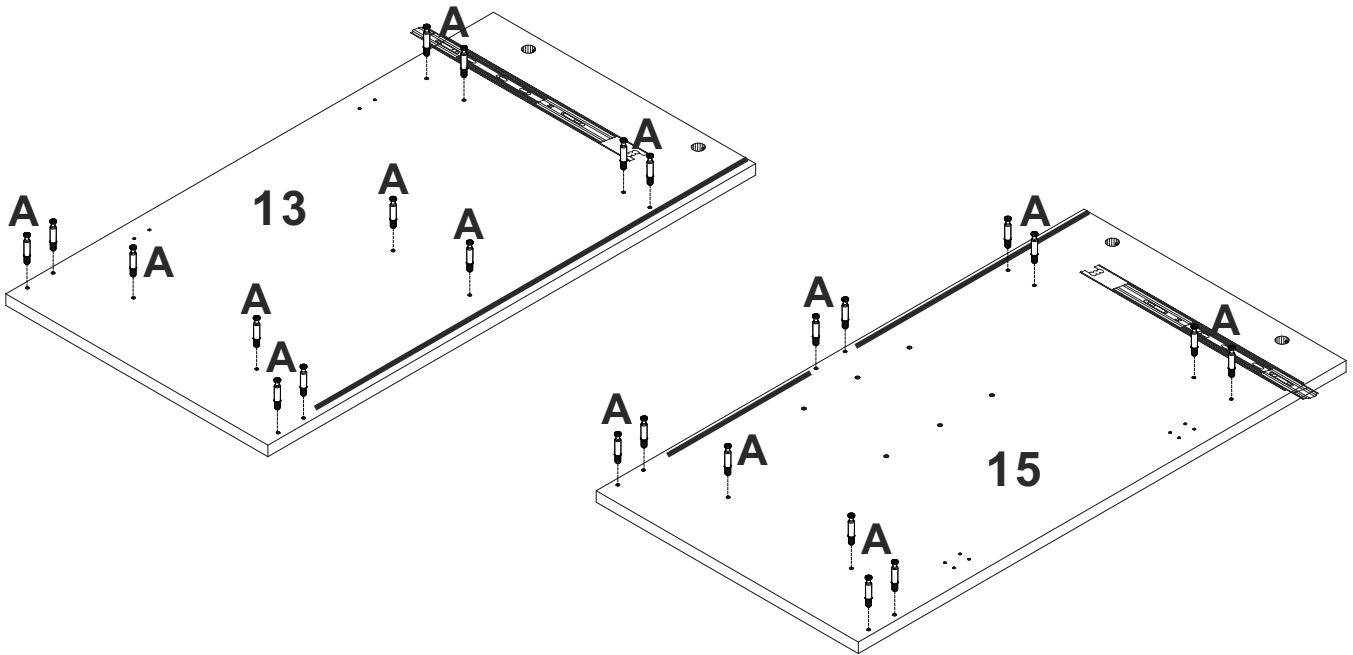
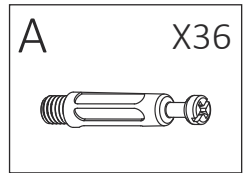


Rotate panel (14) 180 degrees.

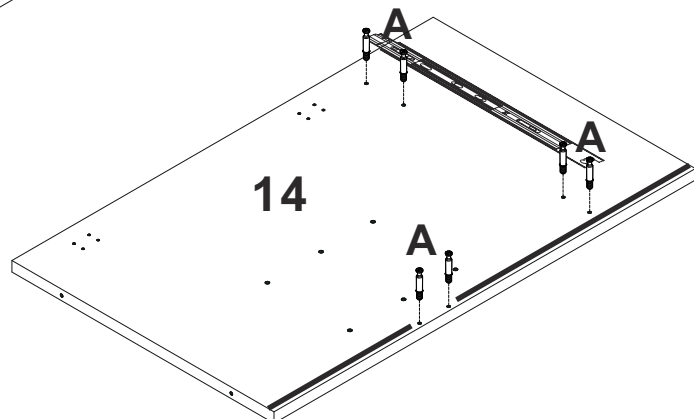


## Step 7

I. As shown in the illustration, use a screwdriver to insert the cam bolt (A) into the corresponding holes on panels (13, 14 and 15).



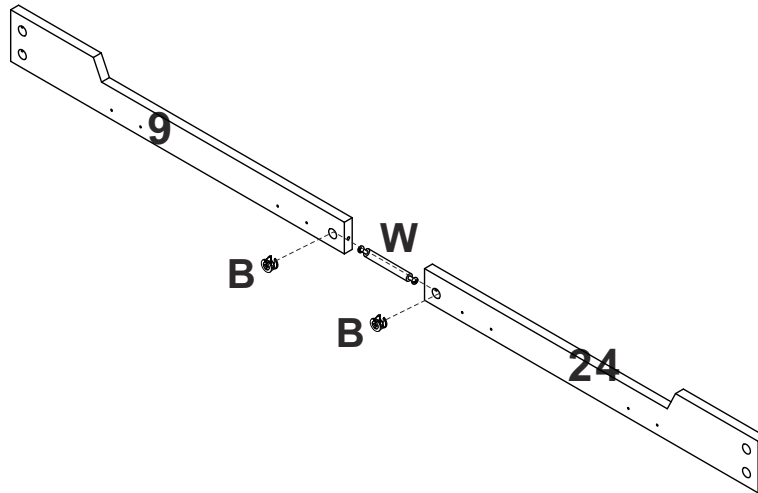
Rotate panel (14) 180 degrees.



## Step 8

- I. As shown in the illustration, use a screwdriver to insert the cam bolt (W) into the corresponding holes on panel (9 and 24).
- II. Insert the cam lock (B) into the corresponding holes on panels (9 and 24), and then use a screwdriver to turn the cam lock (B) clockwise to secure the cam bolt (W).

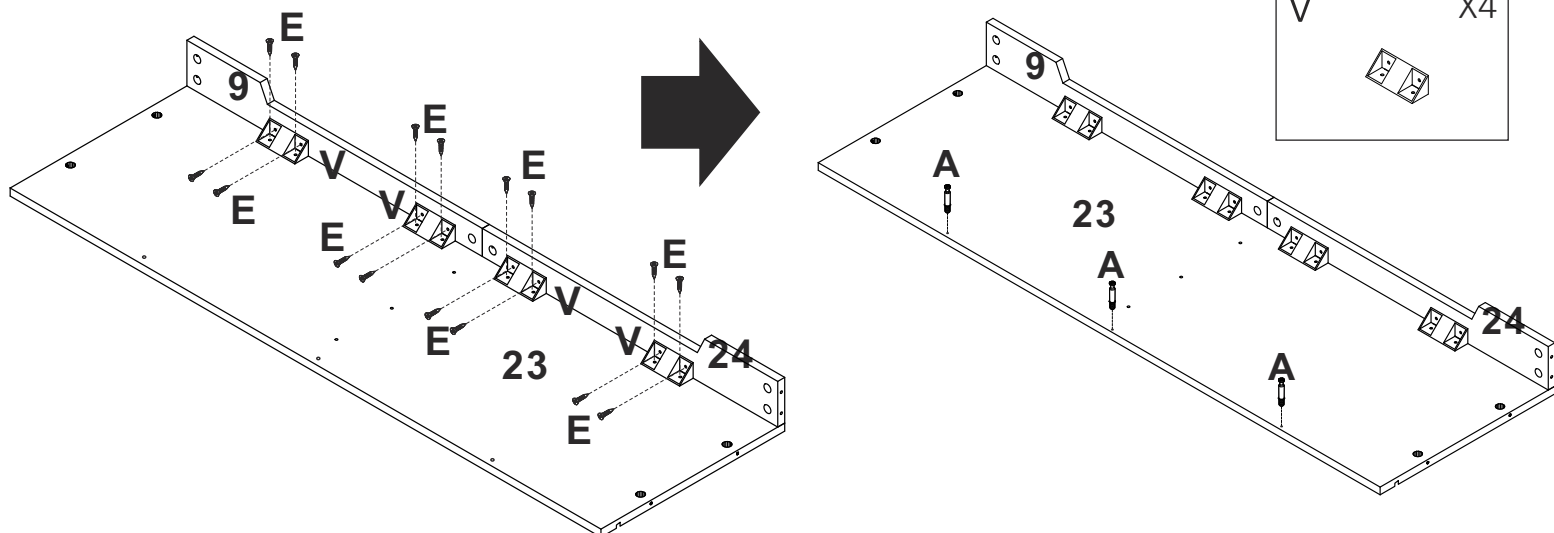
B	X2
W	X1



## Step 9

- I. As shown in the illustration, connect panels (9, 23 and 24) with the corner brace (V) using screws (E).
- II. As shown in the illustration, use a screwdriver to insert the cam bolt (A) into the corresponding holes on panel (23).

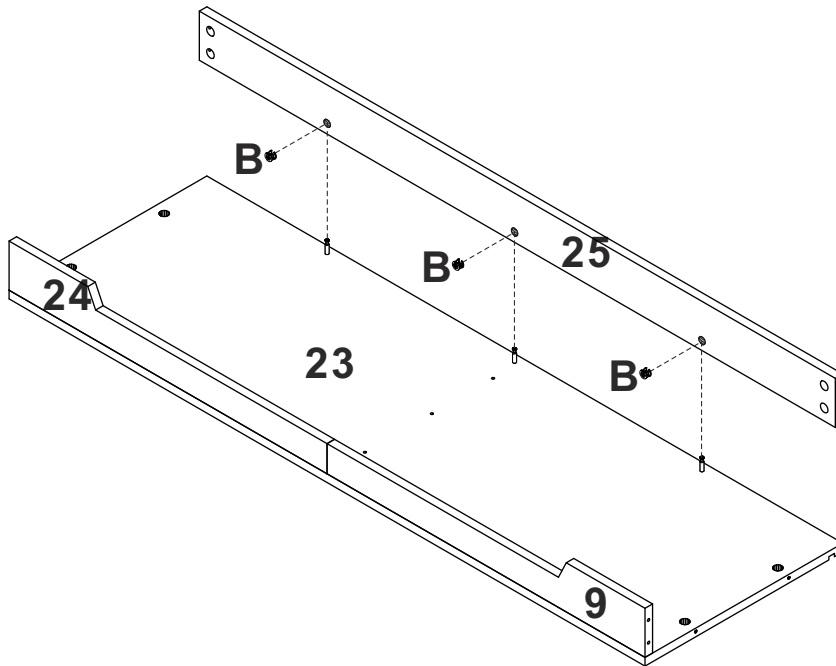
A	X3
E	X16
V	X4



## Step 10

I. As shown in the illustration, connect panel (25) to panel (23), insert the cam lock (B) into the corresponding holes on panel (25), and then use a screwdriver to turn the cam lock (B) clockwise to secure the cam bolt (A).

B X3



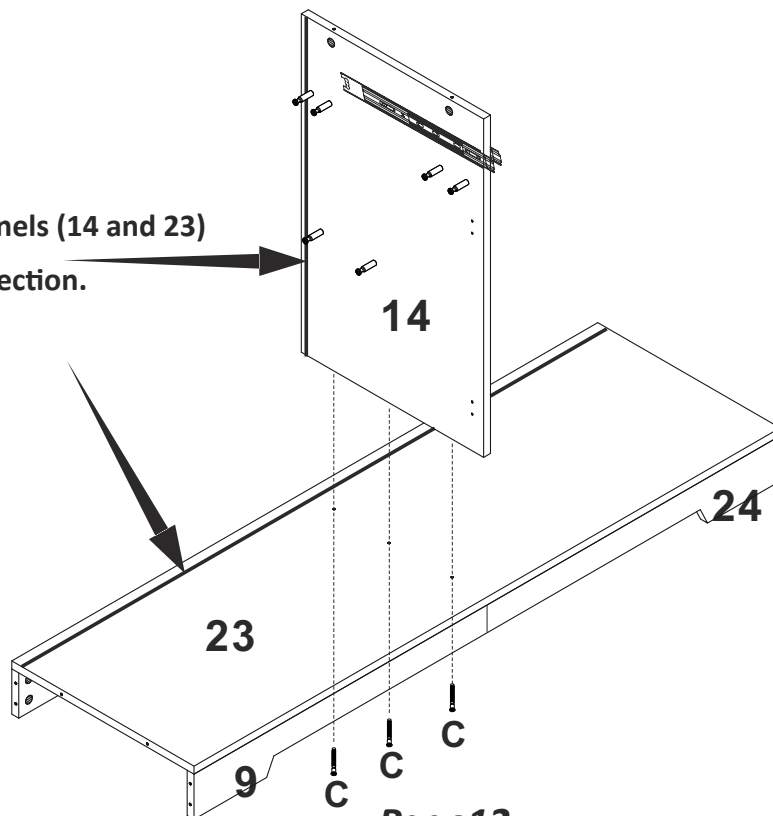
## Step 11

I. Use screw (C) to attach panel (23) to panel (14).

C X3

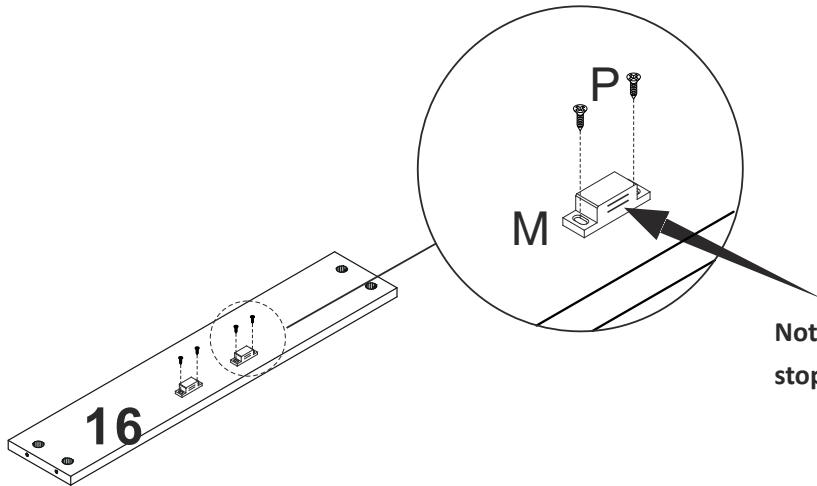


Note: The grooves on panels (14 and 23) should face the same direction.



## Step 12

I. Use screws (P) to attach the door stopper (M) to panel (16).



M	X2
P	X4

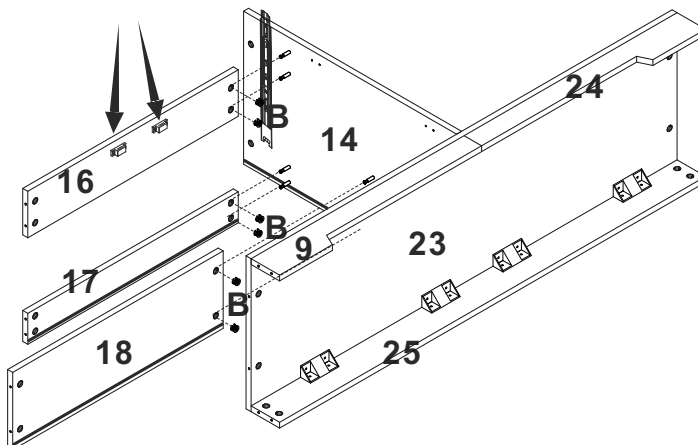
**Note:** The magnetic direction of the door stopper is as shown in the illustration.

## Step 13

I. As shown in the illustration, connect the panels (16, 17 and 18) to panel (14), insert the cam lock (B) into the corresponding holes on panels (16, 17 and 18), and then use a screwdriver to turn the camlock (B) clockwise to secure the cam bolt (A).

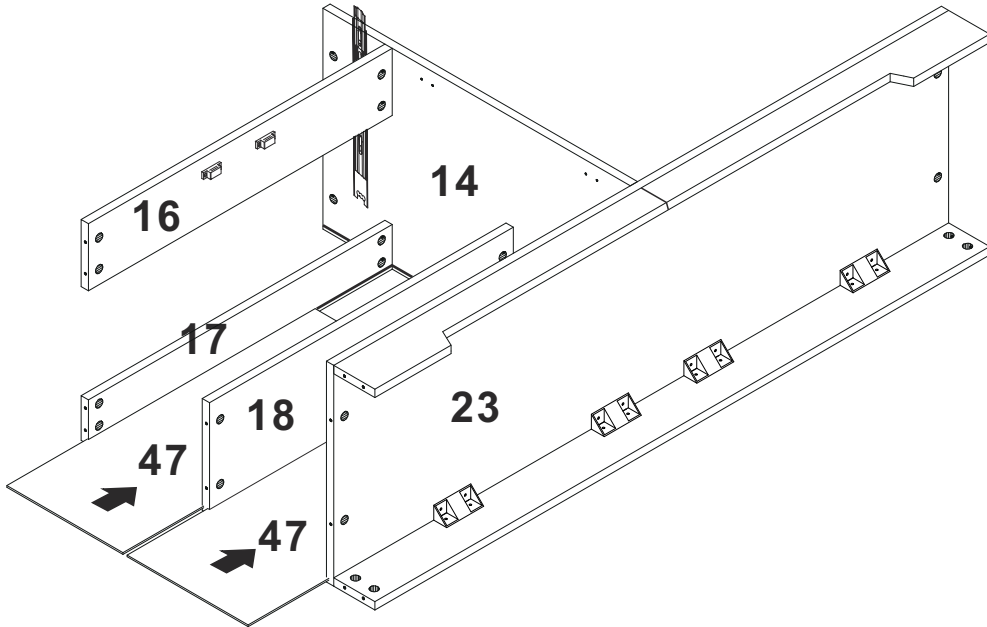
B	X6

**Note:** The door stopper is located here on panel (16).



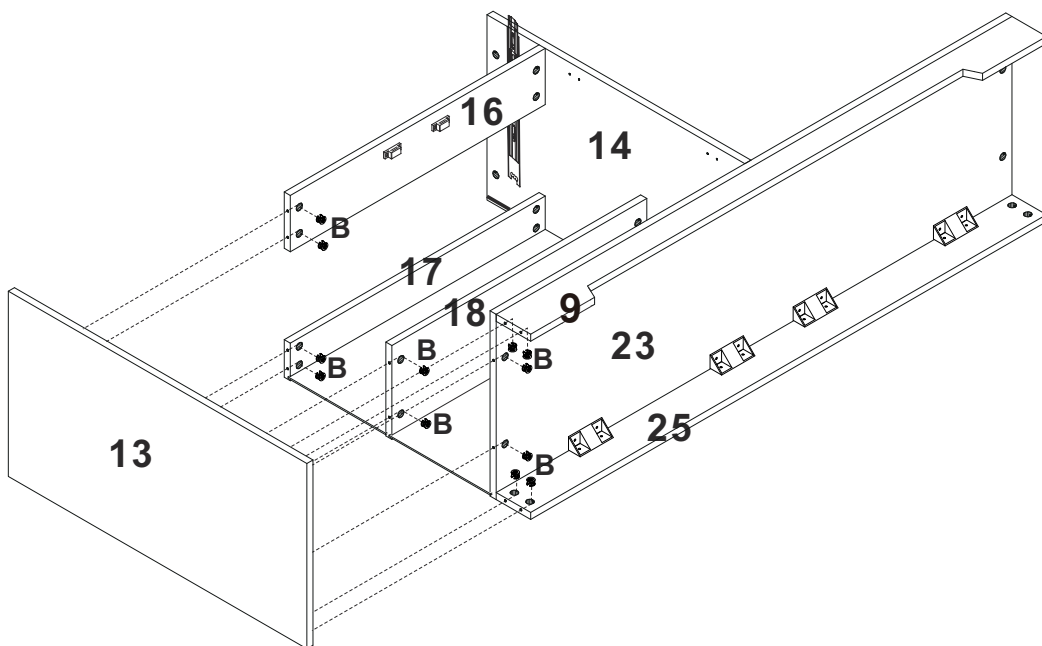
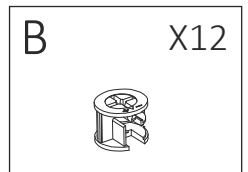
## Step 14

I. Install panel (47、 47) as per diagram and slide them into the grooves until they are fully seated.



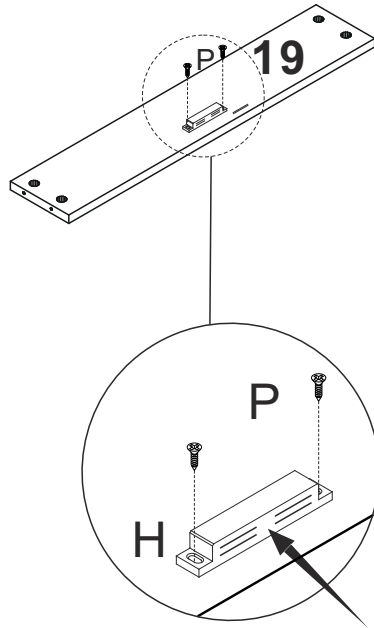
## Step 15

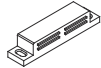

I. As shown in the illustration, connect the panels (13) to panel (16, 17, 18, 23, 9 and 25), insert the cam lock (B) into the corresponding holes on panels (16, 17, 18, 23, 9 and 25), and then use a screwdriver to turn the cam lock (B) clockwise to secure the cam bolt (A).



## Step 16

I. Use screws (P) to attach the door stopper (H) to panel (19).



H	X1
	
P	X2
	

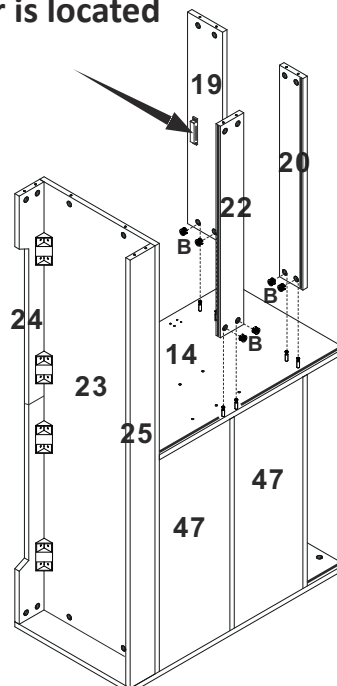
**Note:** The magnetic direction of the door stopper is as shown in the illustration.

## Step 17

I. As shown in the illustration, connect the panels (19, 20 and 22) to panel (14), insert the cam lock (B) into the corresponding holes on panels (19, 20 and 22), and then use a screwdriver to turn the cam lock (B) clockwise to secure the cam bolt (A).

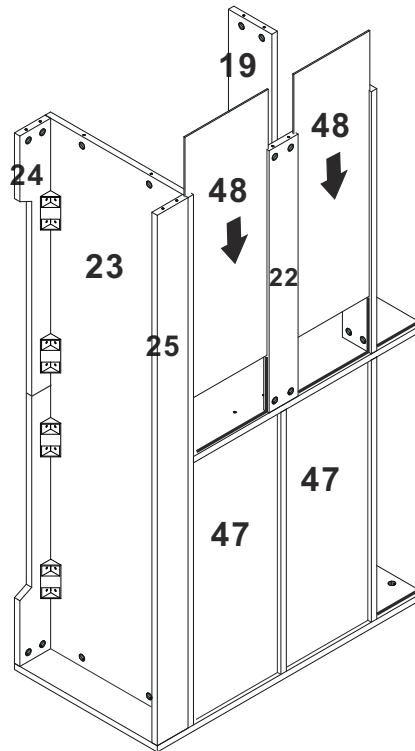
B	X6
	

**Note:** The door stopper is located here on panel (19).



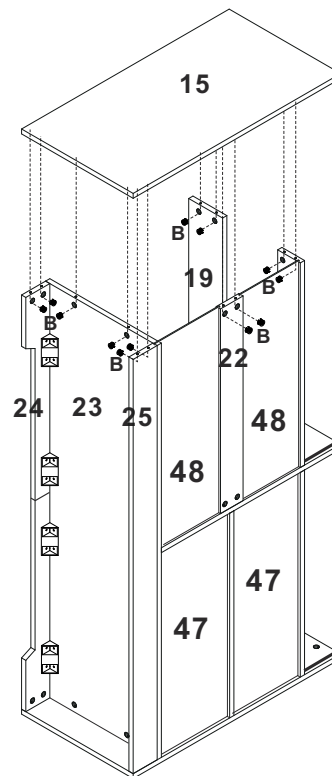
## Step 18

I. Install panel (48, 48) as per diagram and slide them into the grooves until they are fully seated.



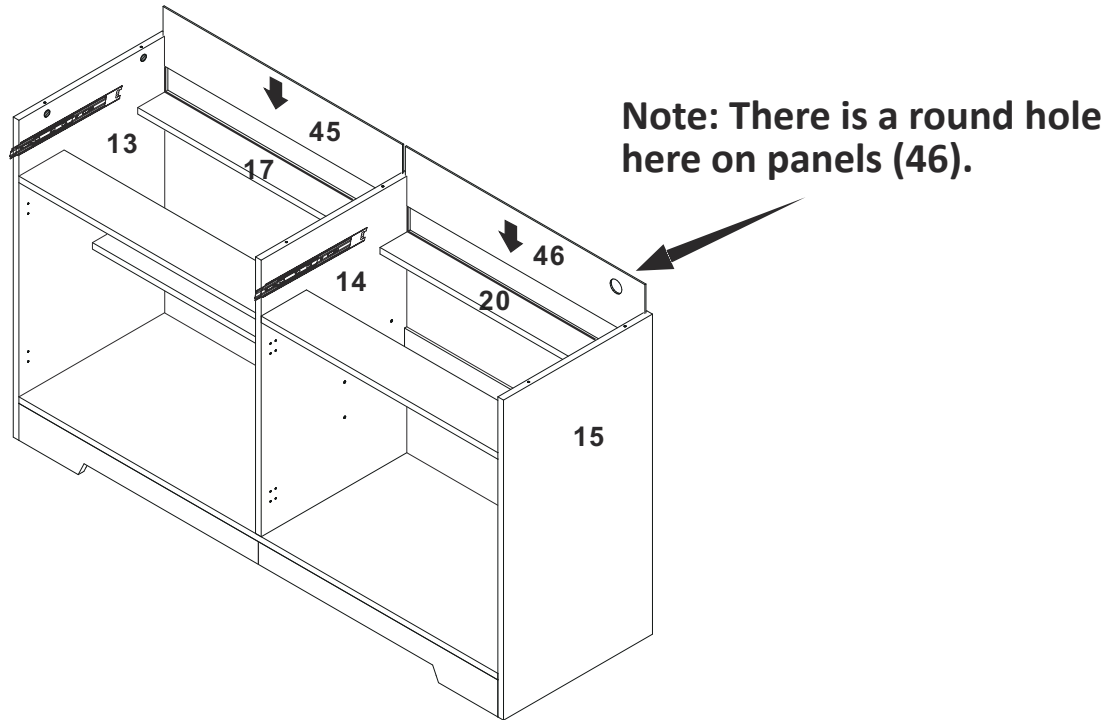
## Step 19

I. As shown in the illustration, connect the panel (15) to panels (19, 20, 22, 23, 24 and 25), insert the cam lock (B) into the corresponding holes on panels (19, 20, 22, 23, 24 and 25), and then use a screwdriver to turn the cam lock (B) clockwise to secure the cam bolt (A).



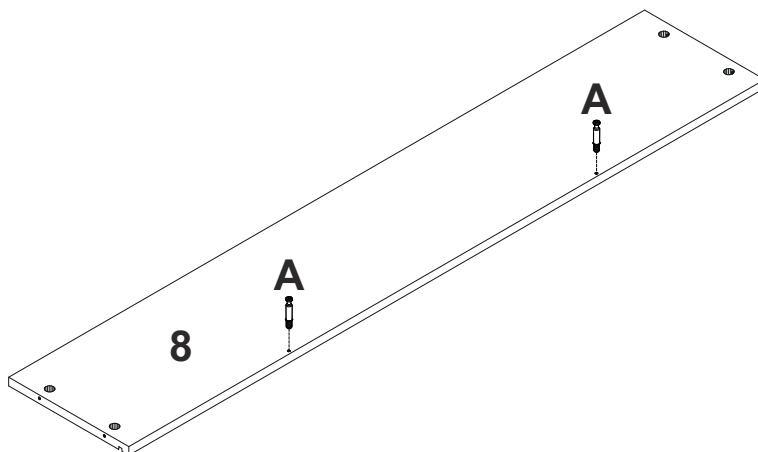
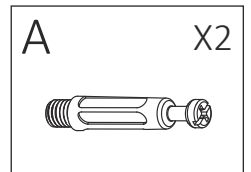
## Step 20

I. Install panel (45 and 46) as per diagram and slide them into the grooves until they are fully seated.



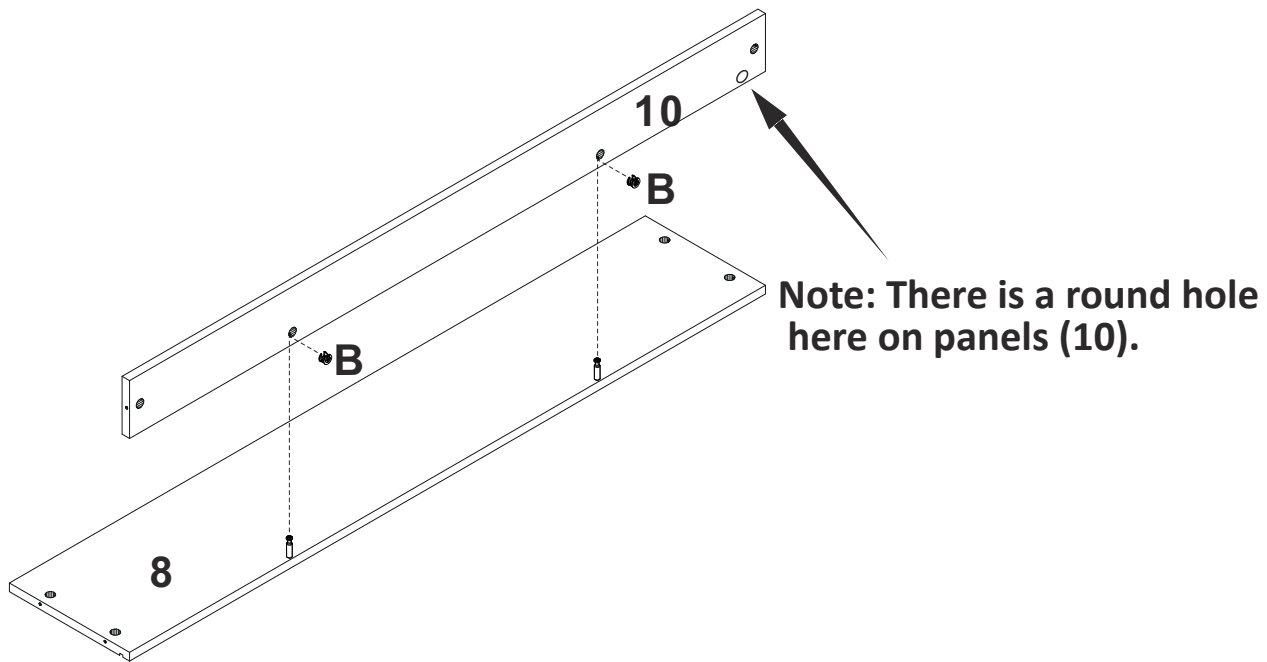
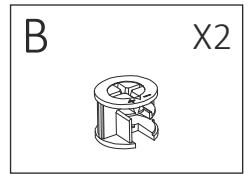
## Step 21

I. As shown in the illustration, use a screwdriver to insert the cam bolt (A) into the corresponding holes on panels (8).



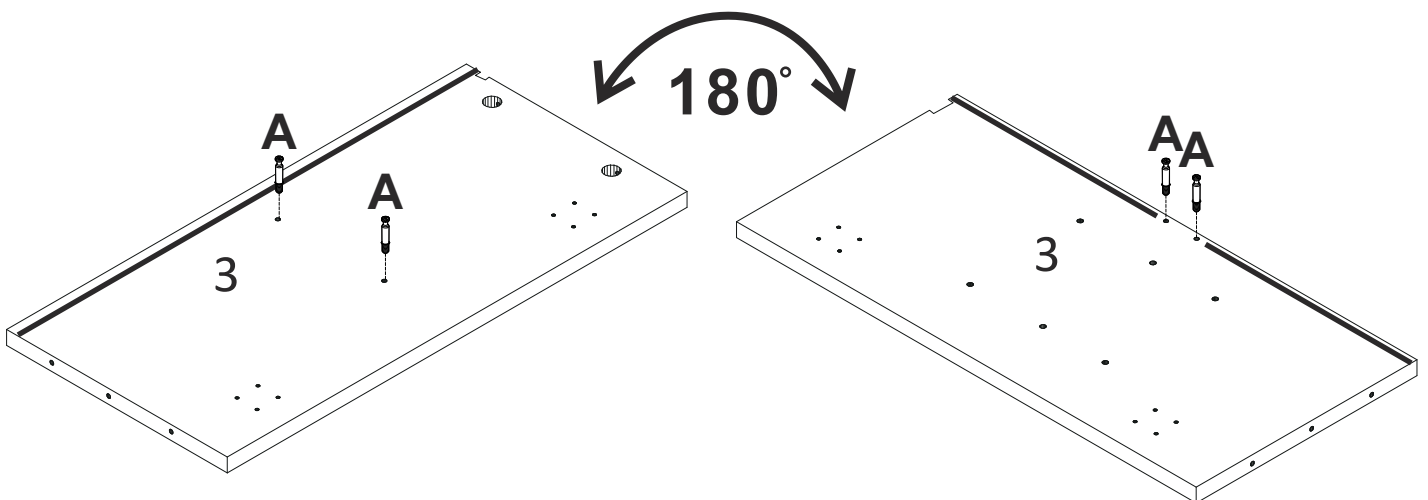
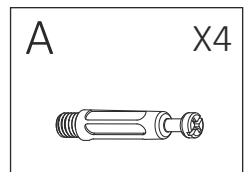
## Step 22

I. As shown in the illustration, connect the panel (10) to panel (8), insert the cam lock (B) into the corresponding holes on panel (10), and then use a screwdriver to turn the cam lock (B) clockwise to secure the cam bolt (A).



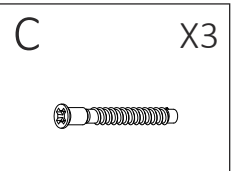
## Step 23

I. As shown in the illustration, use a screwdriver to insert the cam bolt (A) into the corresponding holes on panels (3).



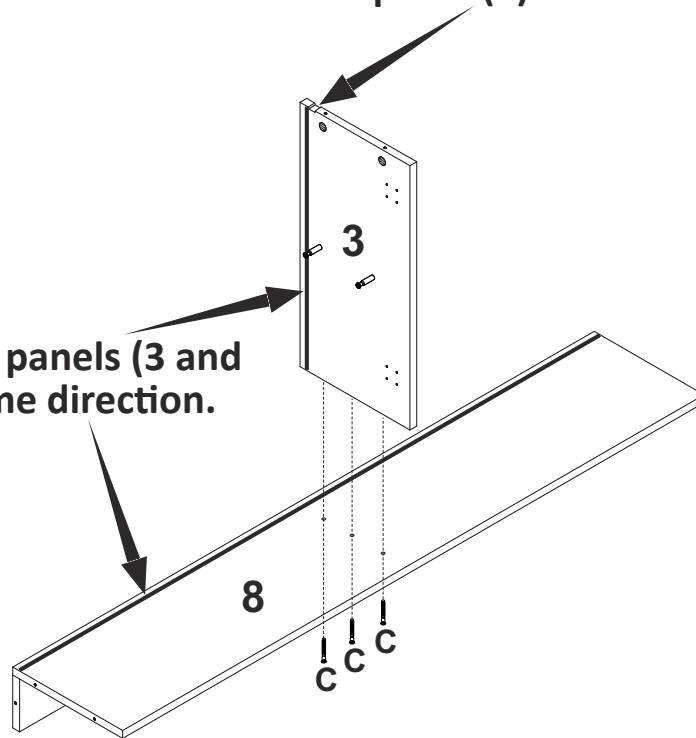
## Step 24

I. Use screws (C) to attach panels (8) to panel (3).



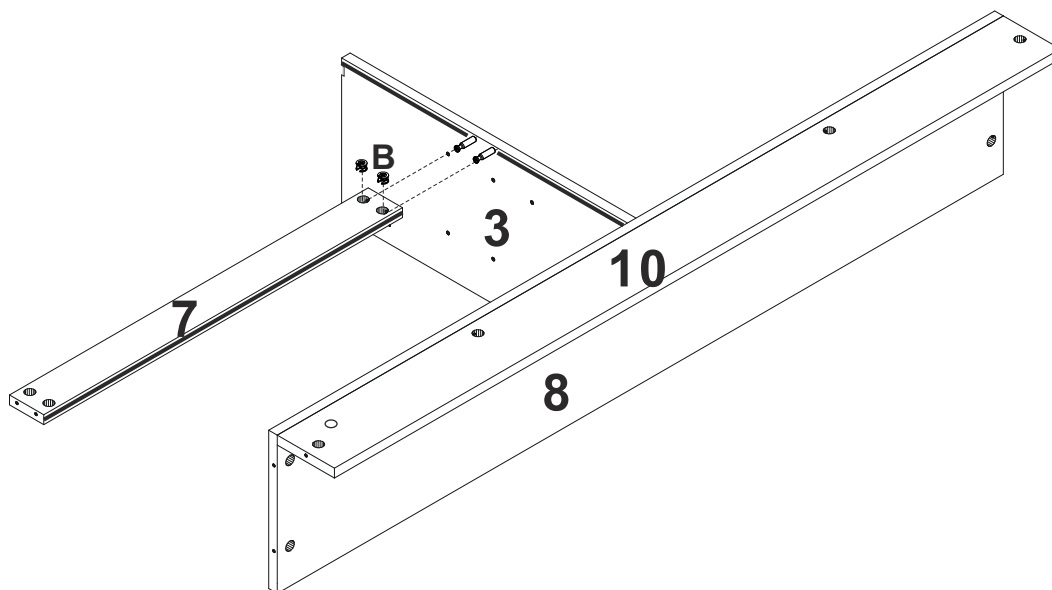
Note: There is a groove here on panel (3).

Note: The grooves on panels (3 and 8) should face the same direction.



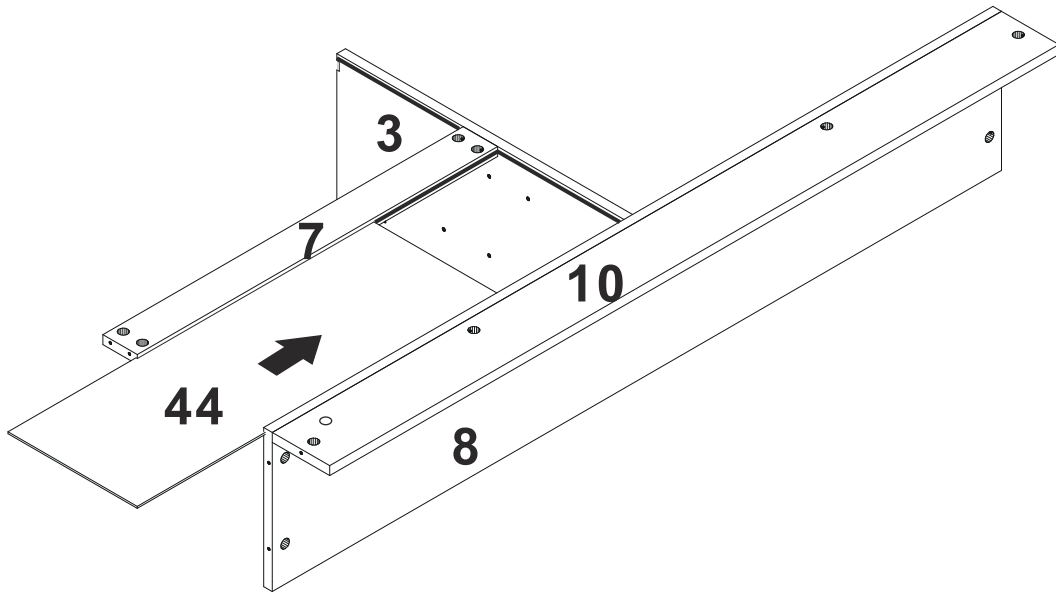
## Step 25

I. As shown in the illustration, connect the panel (7) to panel (3), insert the cam lock (B) into the corresponding holes on pane (7), and then use a screwdriver to turn the cam lock (B) clockwise to secure the cam bolt (A).



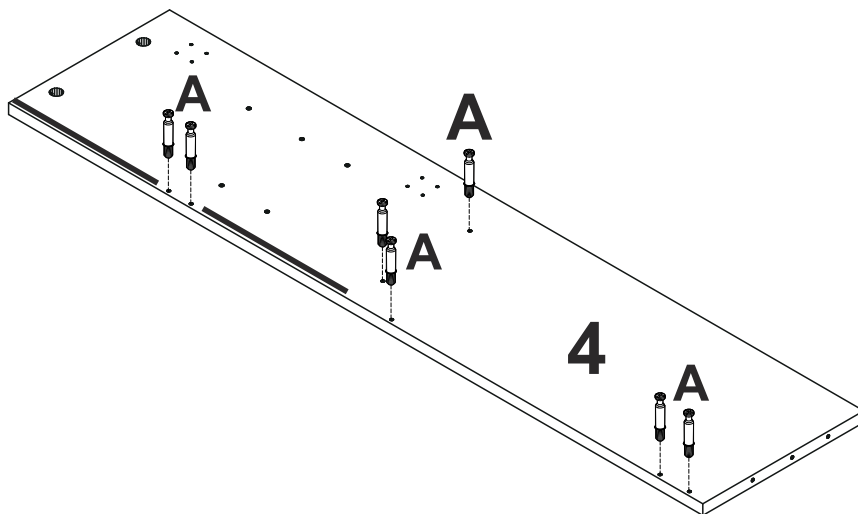
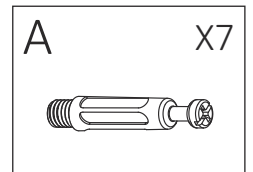
## Step 26

I. Install panel (44) as per diagram and slide them into the grooves until they are fully seated.



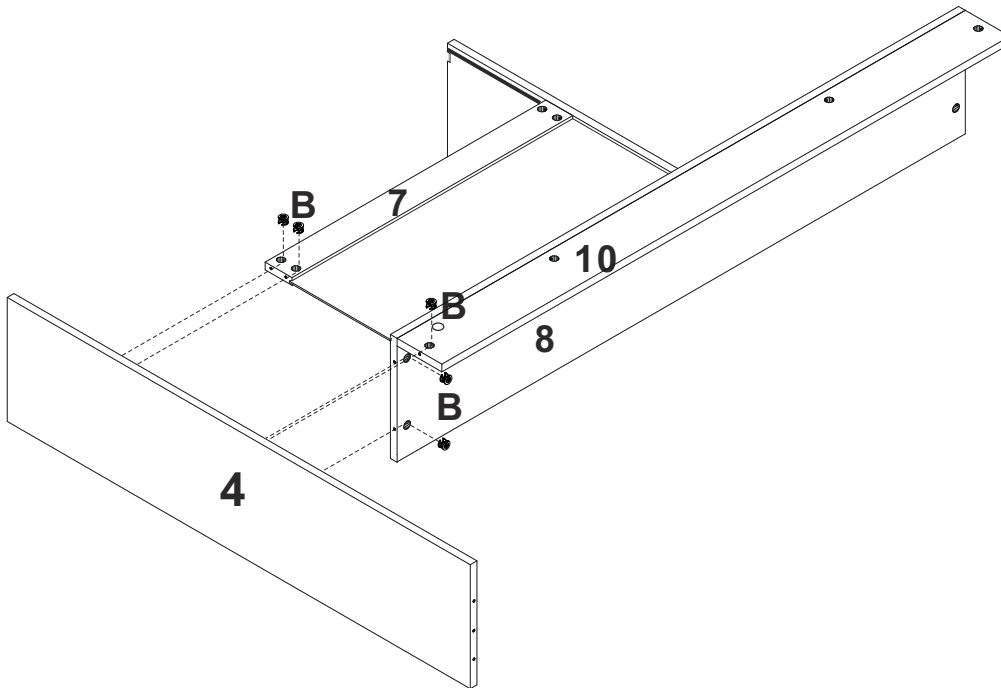
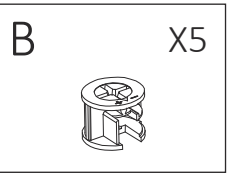
## Step 27

I. As shown in the illustration, use a screwdriver to insert the cam bolt (A) into the corresponding holes on panels (4).



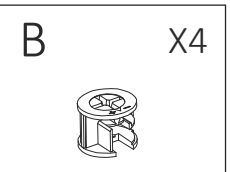
## Step 28

I. As shown in the illustration, connect the panels (4) to panels (7, 8 and 10), insert the cam lock (B) into the corresponding holes on panels (7, 8 and 10), and then use a screwdriver to turn the cam lock (B) clockwise to secure the cam bolt (A).

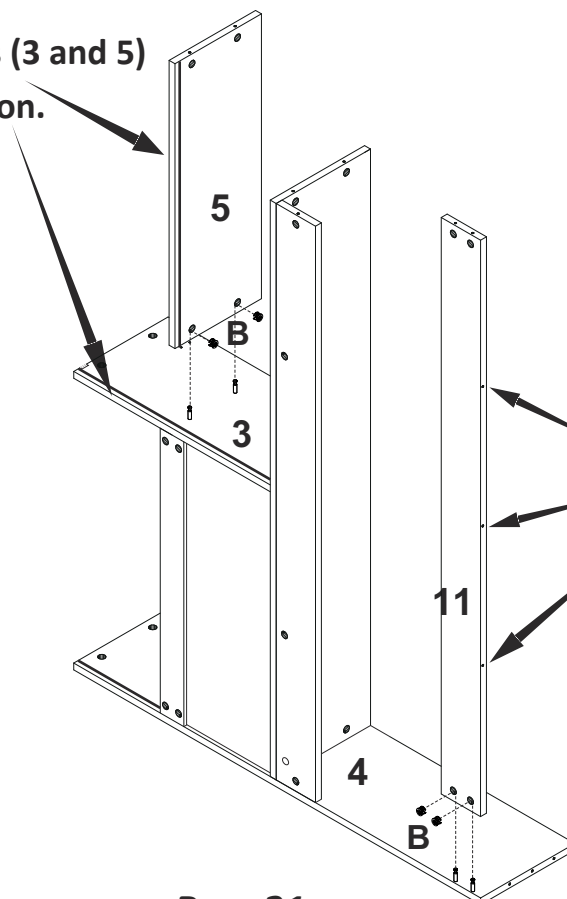


## Step 29

I. As shown in the illustration, connect the panels (5 and 11) to panels (3 and 4), insert the cam lock (B) into the corresponding holes on panels (5 and 11), and then use a screwdriver to turn the cam lock (B) clockwise to secure the cam bolt (A).



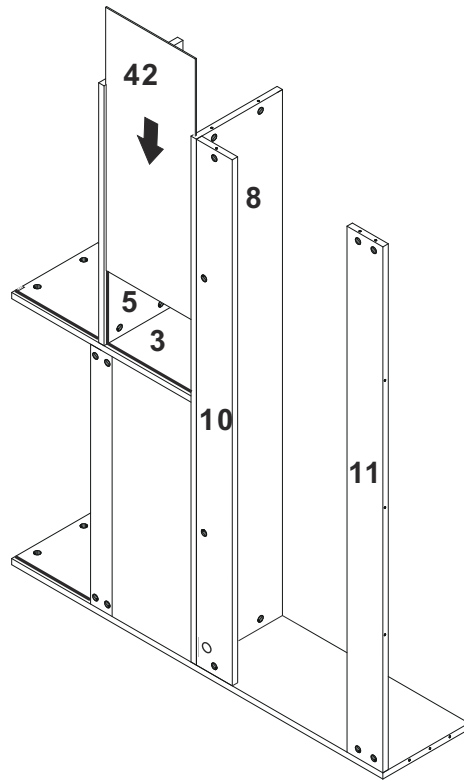
**Note: The grooves on panels (3 and 5) should face the same direction.**



**Note: There are three small holes in this direction on panel (11).**

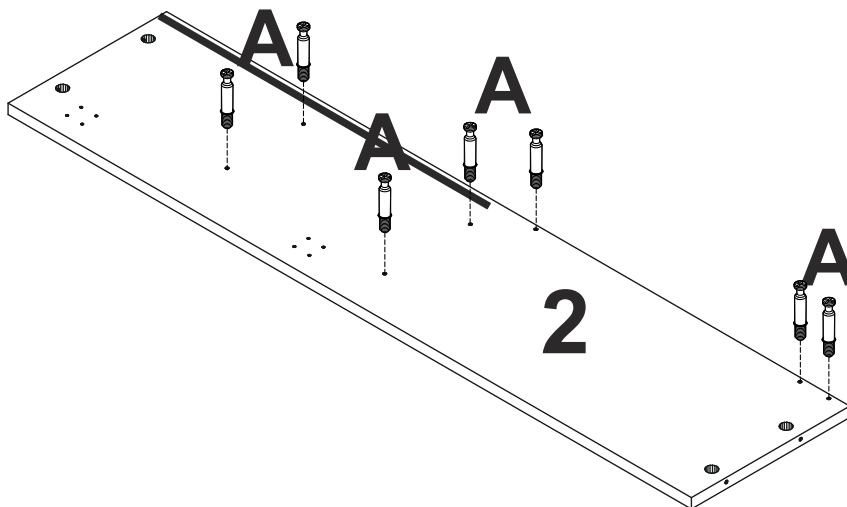
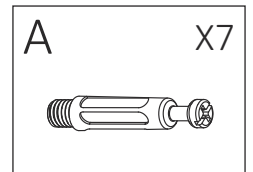
## Step 30

I. Install panel (42) as per diagram and slide them into the grooves until they are fully seated.



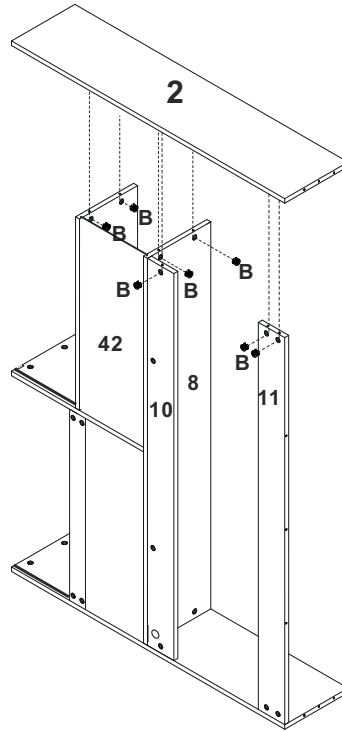
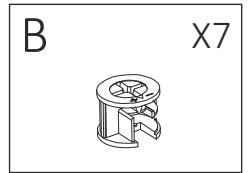
## Step 31

I. As shown in the illustration, use a screwdriver to insert the cam bolt (A) into the corresponding holes on panel (2).



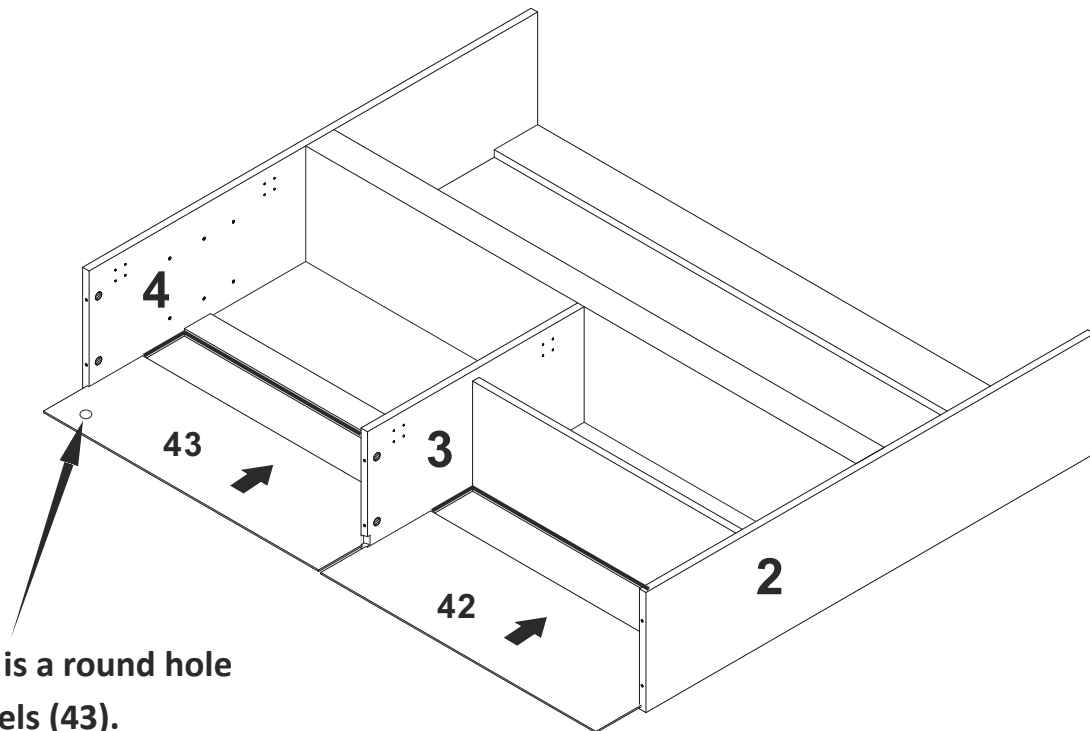
## Step 32

I. As shown in the illustration, connect the panels (2) to panels (5, 8, 10, 11 ), insert the cam lock (B) into the corresponding holes on panels (5, 8, 10, 11 ), and then use a screwdriver to turn the cam lock (B) clockwise to secure the cam bolt (A).



## Step 33

I. Install panel (42 and 43) as per diagram and slide them into the grooves until they are fully seated.


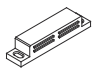



**Note:** There is a round hole here on panels (43).

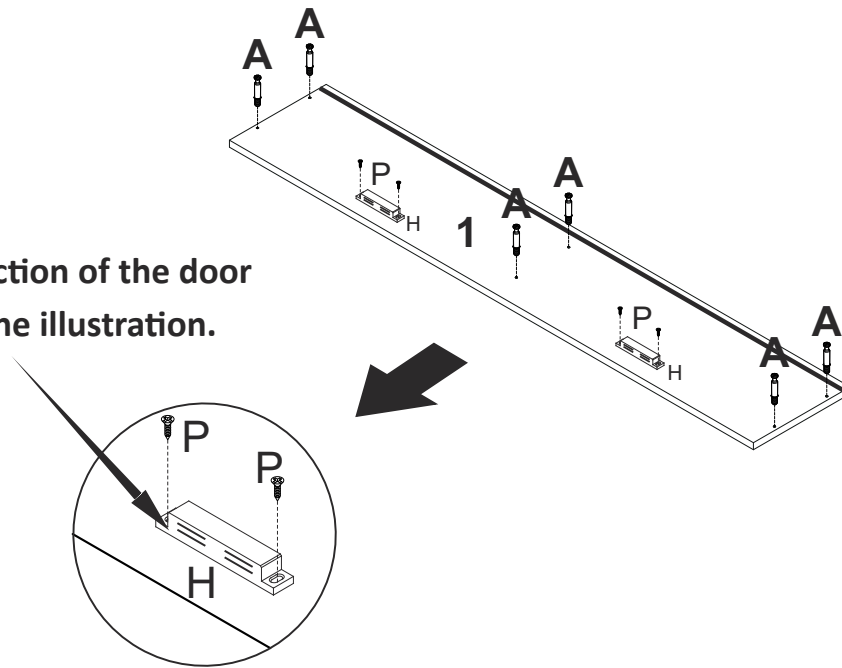
## Step 34

I. As shown in the illustration, use a screwdriver to insert the cam bolt (A) into the corresponding holes on panel (1).

II. Use screws (P) to attach the door stopper (H) to panel (1).

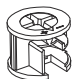
A	X6
	
H	X2
	
P	X4
	

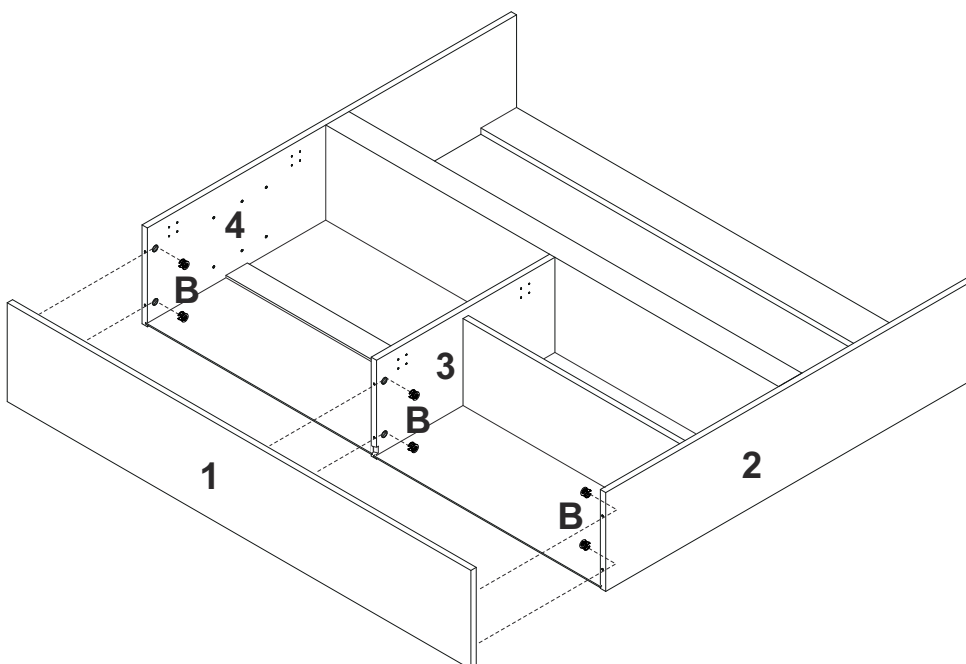
**Note:** The magnetic direction of the door stopper is as shown in the illustration.



## Step 35

I. As shown in the illustration, connect the panel (1) to panels (2, 3 and 4), insert the cam lock (B) into the corresponding holes on panels (2, 3 and 4), and then use a screwdriver to turn the cam lock (B) clockwise to secure the cam bolt (A).

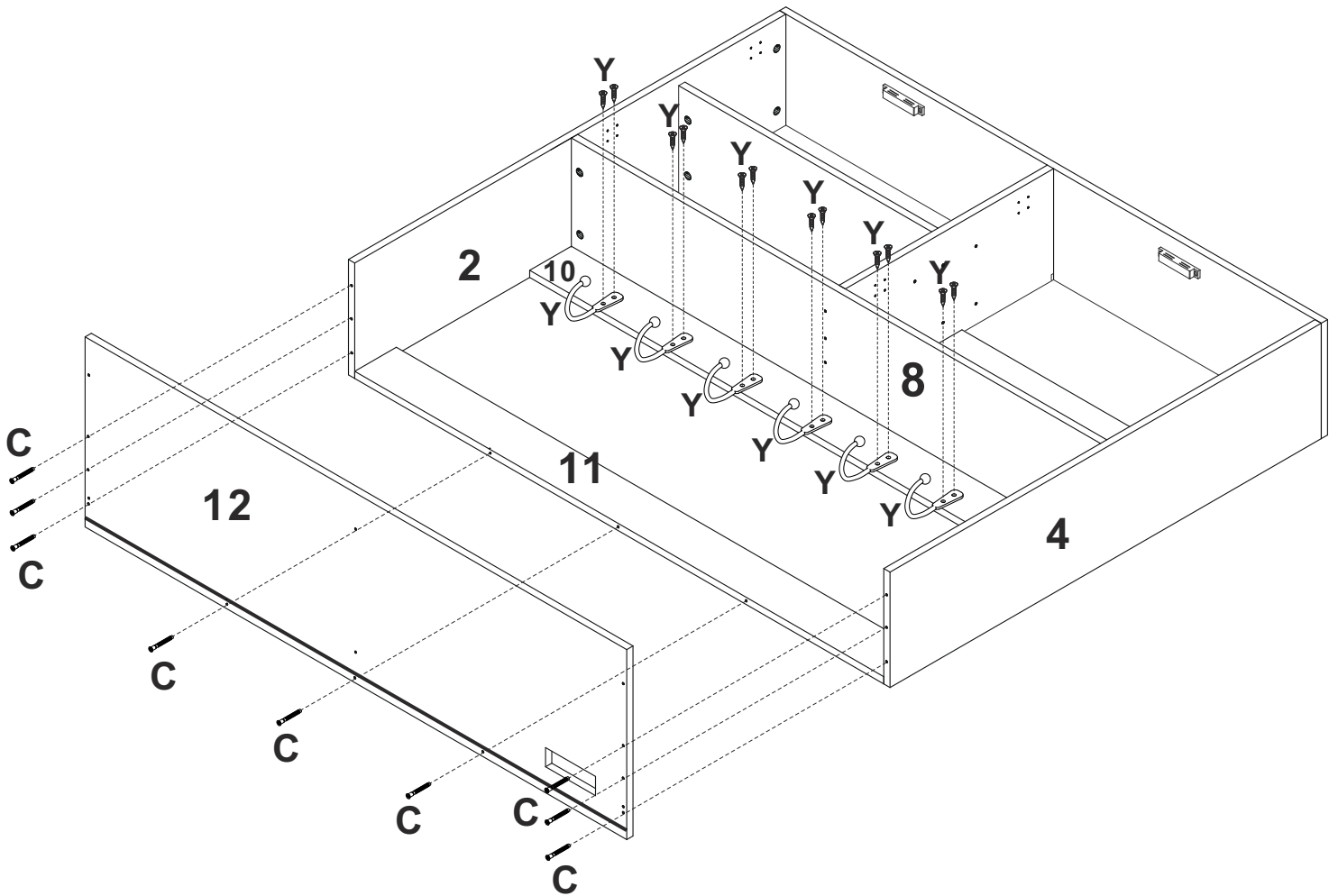
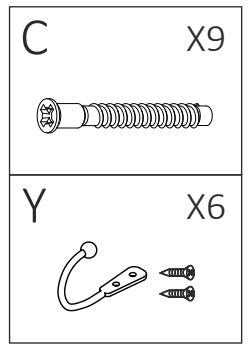
B	X6
	



## Step 36



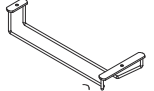
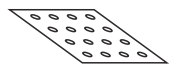
I. As shown in the illustration, attach panel (12) to panel (2,4,11) and secure them with screws (C).

II. Use screws (Y) to secure the hook (Y) to panel (10).

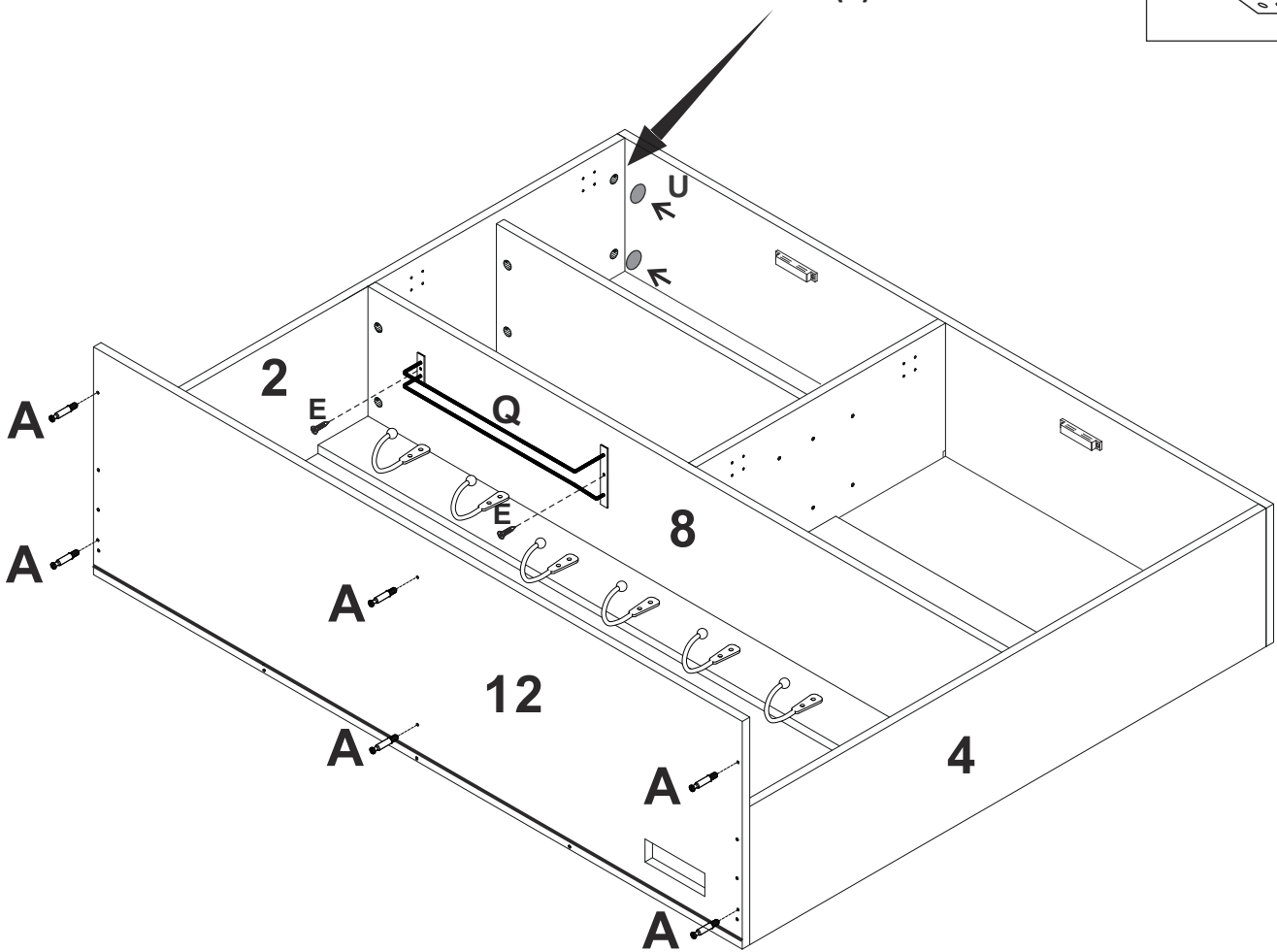


## Step 37

- I. As shown in the illustration, use a screwdriver to insert the cam bolt (A) into the corresponding holes on panel (12).
- II. Use screws (E) to secure the wine glass holder (Q) to panel (8).
- III. Place the screw hole cover (U) over the visible cam lock (B).

A	X6
	
E	X2
	
Q	X1
	
U	X1
	

Place the screw hole cover (U) over the visible cam lock (B).

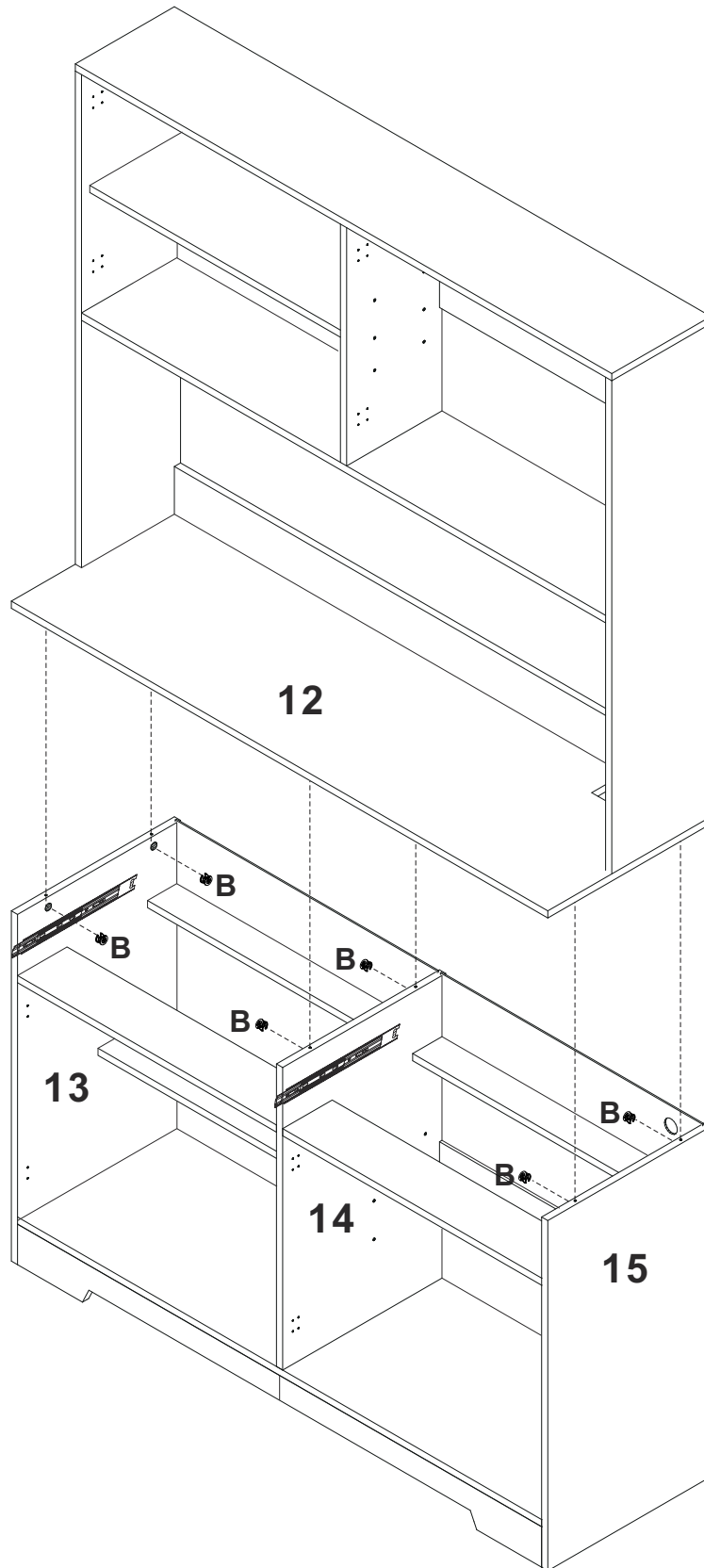


## Step 38

I. As shown in the illustration, connect the assembled panel (12) to panels (13, 14 and 15), insert the cam lock (B) into the corresponding holes on panels (13, 14 and 15), and then use a screwdriver to turn the cam lock (B) clockwise to secure the cam bolt (A).



B

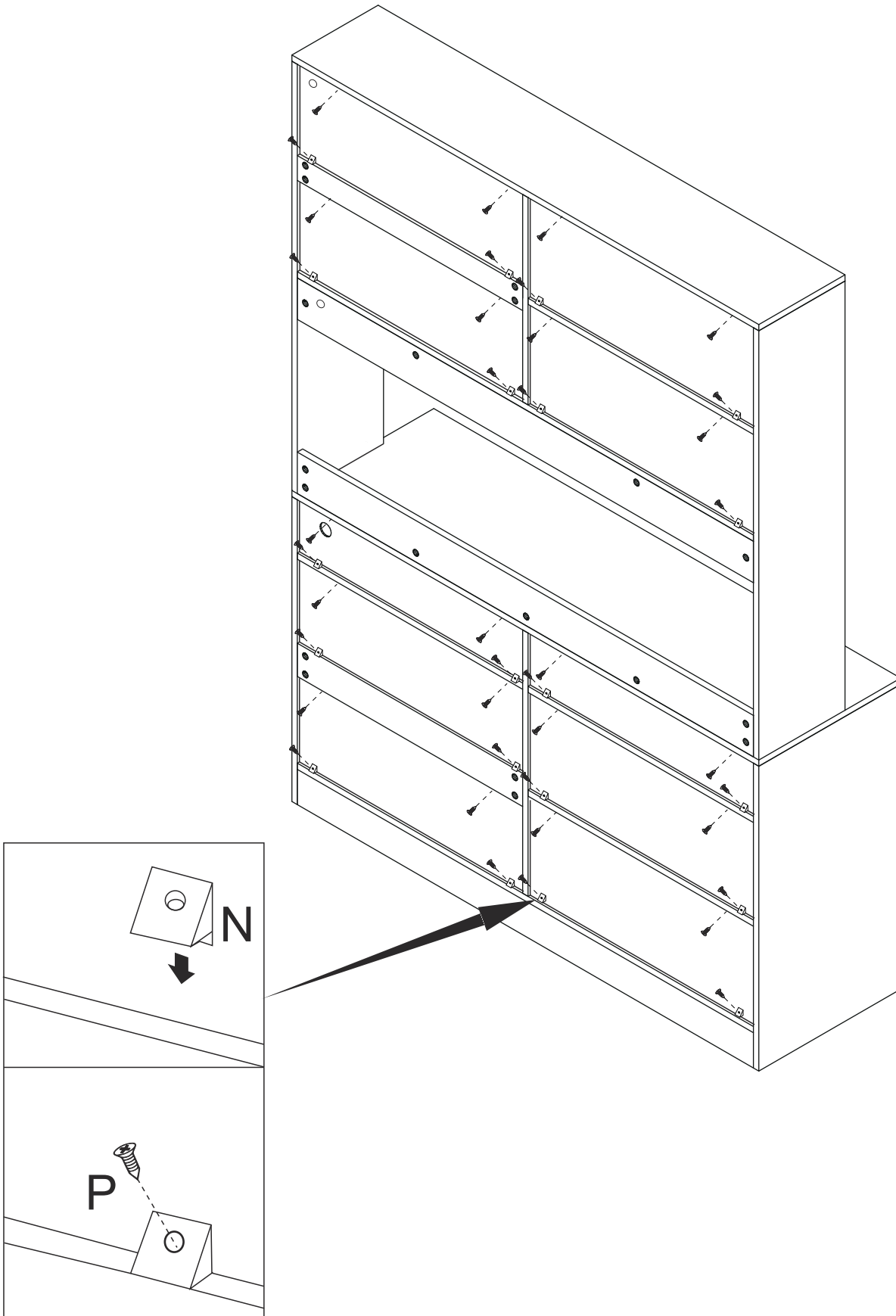
X6



## Step 39

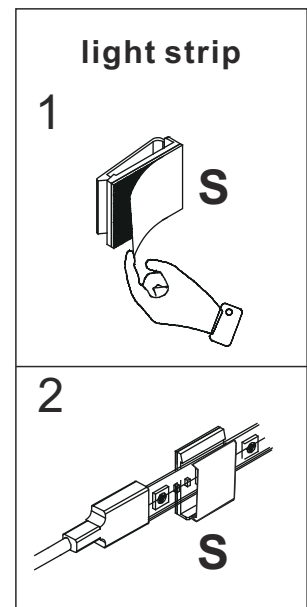
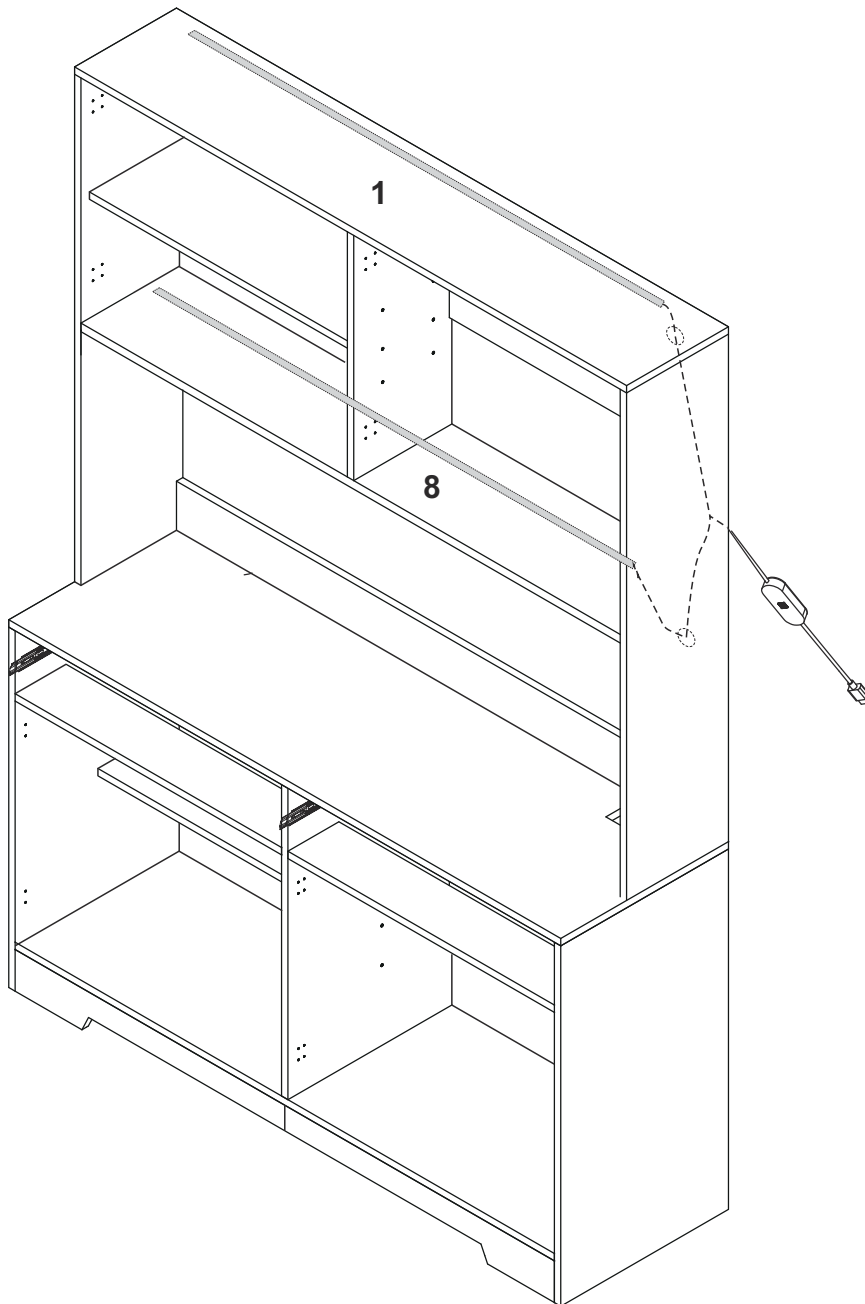
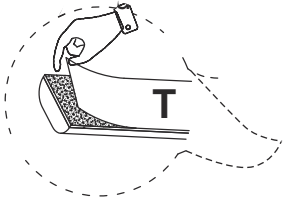
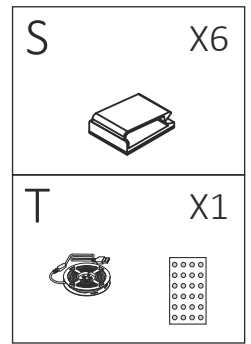
I. Insert the thinnest side of the plastic part (N) into the gap between the back panel and the cabinet, then secure it with screws (P).

N	X40
	
P	X40
	



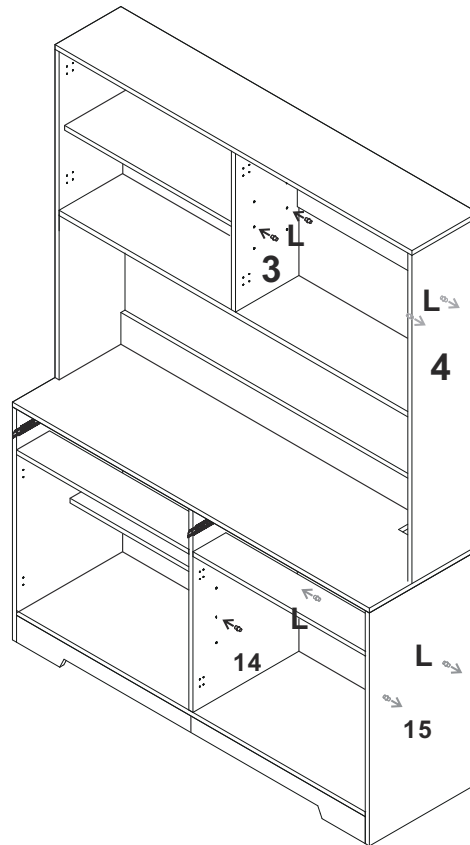
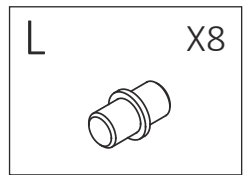
## Step 40

- I. Peel off the adhesive backing from the light strip (T) and the light strip clips (S).
- II. Attach the two light strips (T) to the underside of panels (1 and 8). Use the light strip clips (S) to hold the light strips (T) in place for added stability.



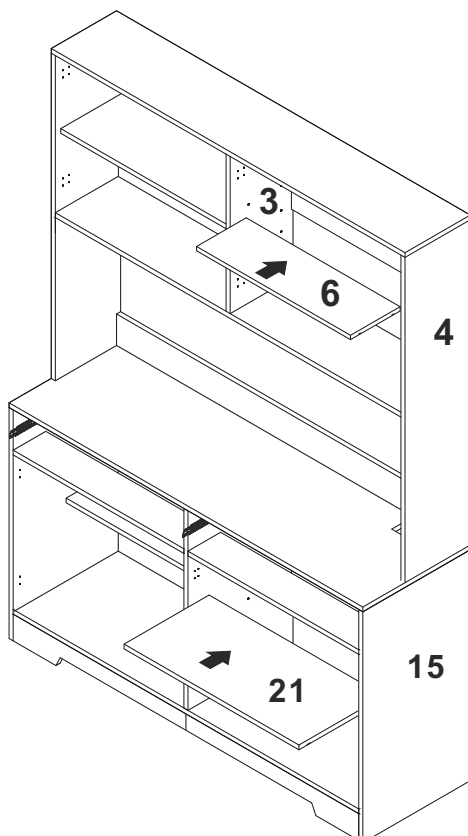
## Step 41

I. Insert the shelf supports (L) into the corresponding holes on panels (3, 4, 14 and 15).



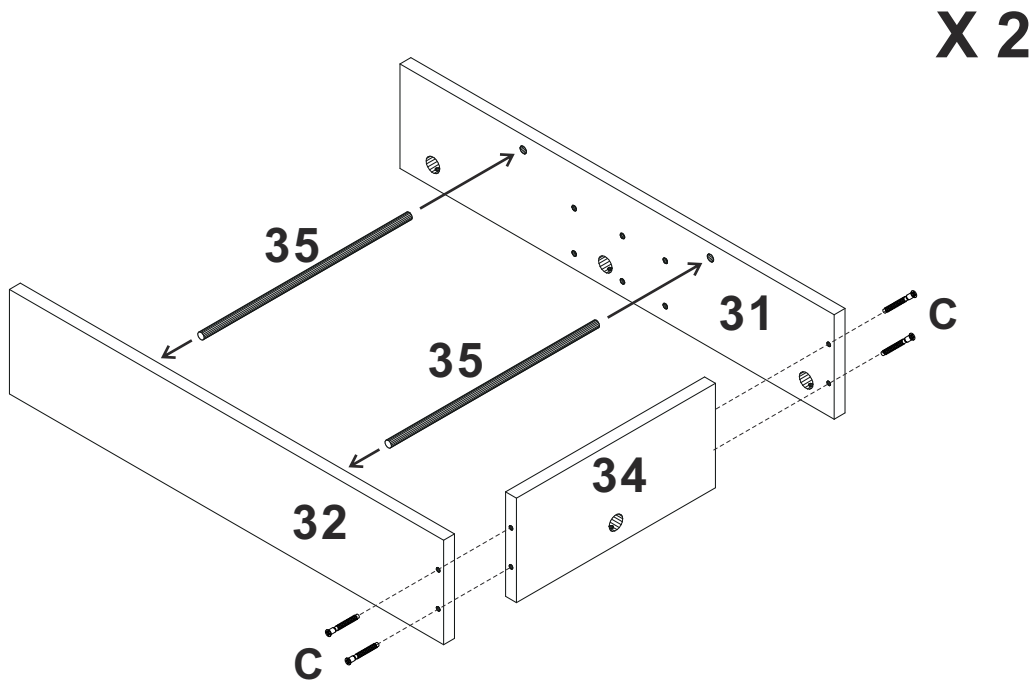
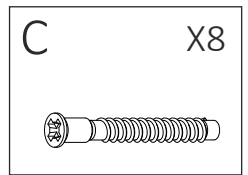
## Step 42

I. Then place panels (6 and 21) onto the shelf supports (L).



### Step 43

I. Use screws (C) to attach panels (31 and 32) to panel (34), and connect the steel tubes (35, 35) to panels (31 and 32).

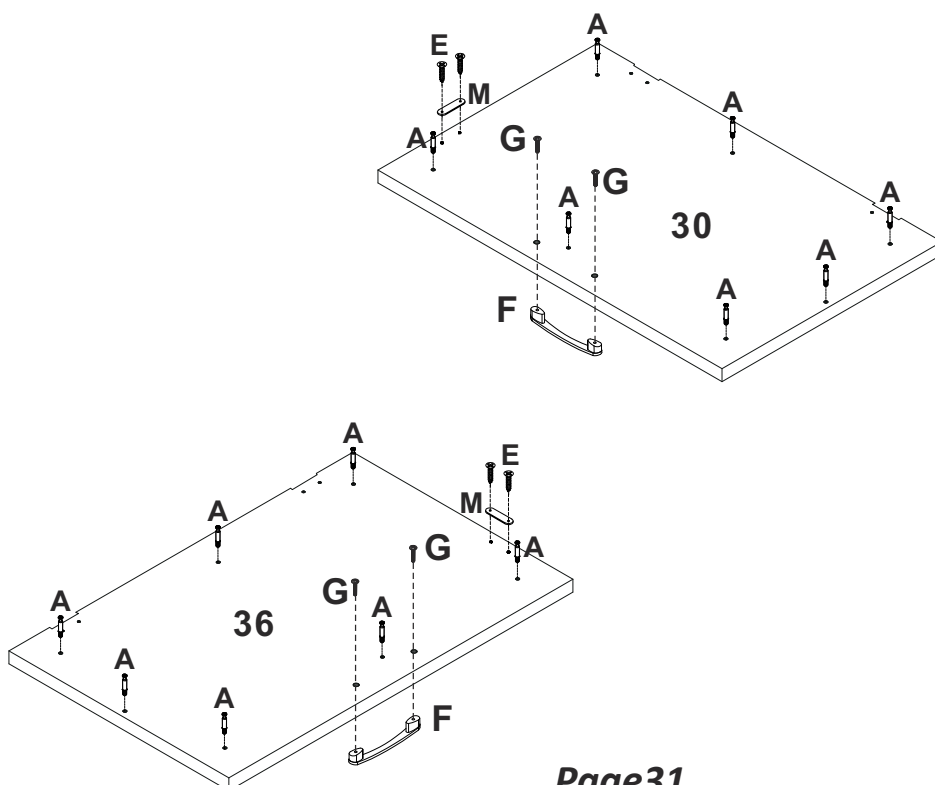
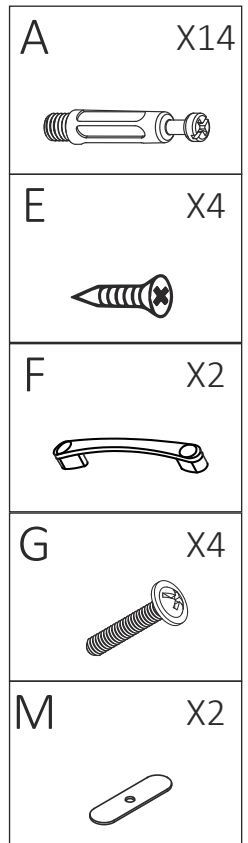


### Step 44

I. As shown in the illustration, use a screwdriver to insert the cam bolt (A) into the corresponding holes on panel (30 and 36).

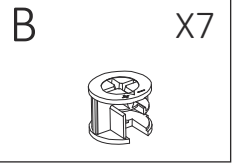
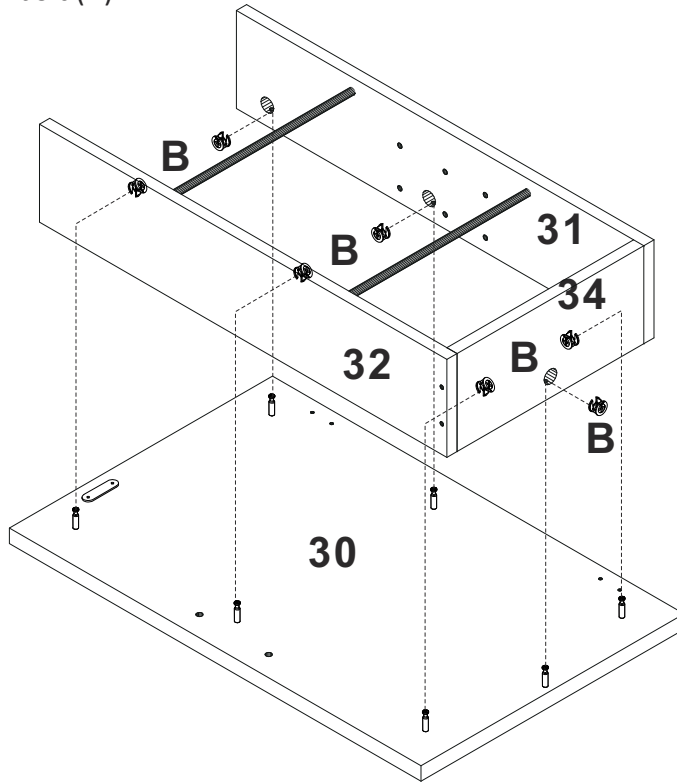
II. Use screws (G) to attach the handle (F) to panels (30 and 36).

III. Use screws (E) to secure (M) to panels (30 and 36).



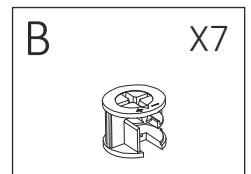
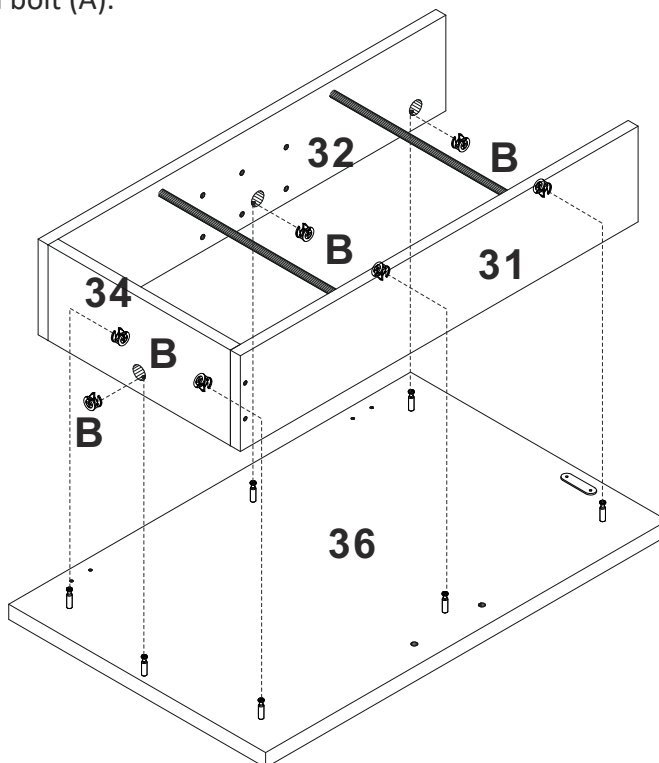
## Step 45

I. As shown in the illustration, connect the assembled panels (31, 32 and 34) to panel (30), insert the cam lock (B) into the corresponding holes on panels (31, 32 and 34), and then use a screwdriver to turn the cam lock (B) clockwise to secure the cam bolt (A).



## Step 46


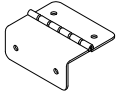

I. As shown in the illustration, connect the assembled panels (31, 32 and 34) to panel (36), insert the cam lock (B) into the corresponding holes on panels (31, 32 and 34), and then use a screwdriver to turn the cam lock (B) clockwise to secure the cam bolt (A).

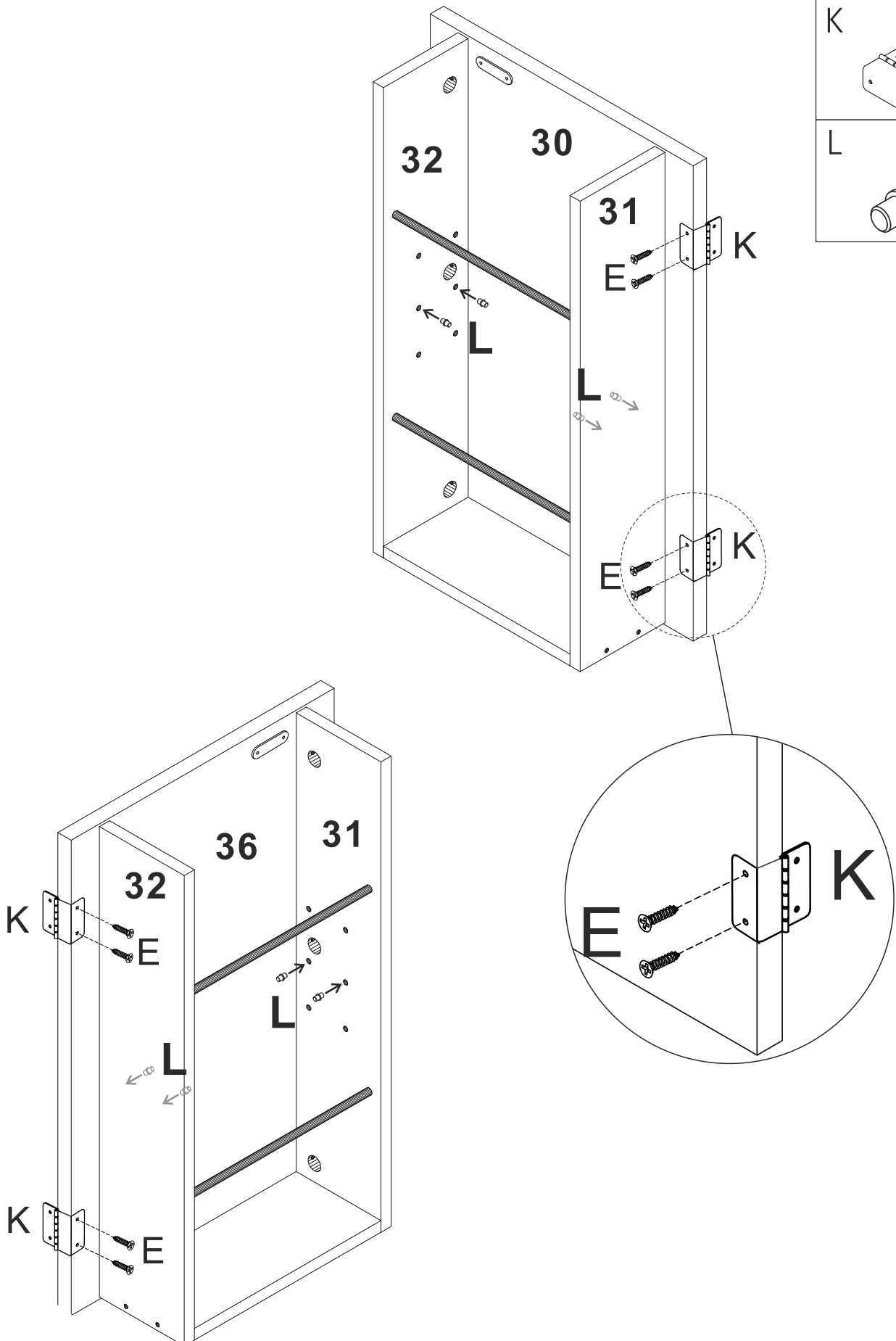


## Step 47

I. Use screws (E) to secure the hinges (K) to panels (30 and 36).

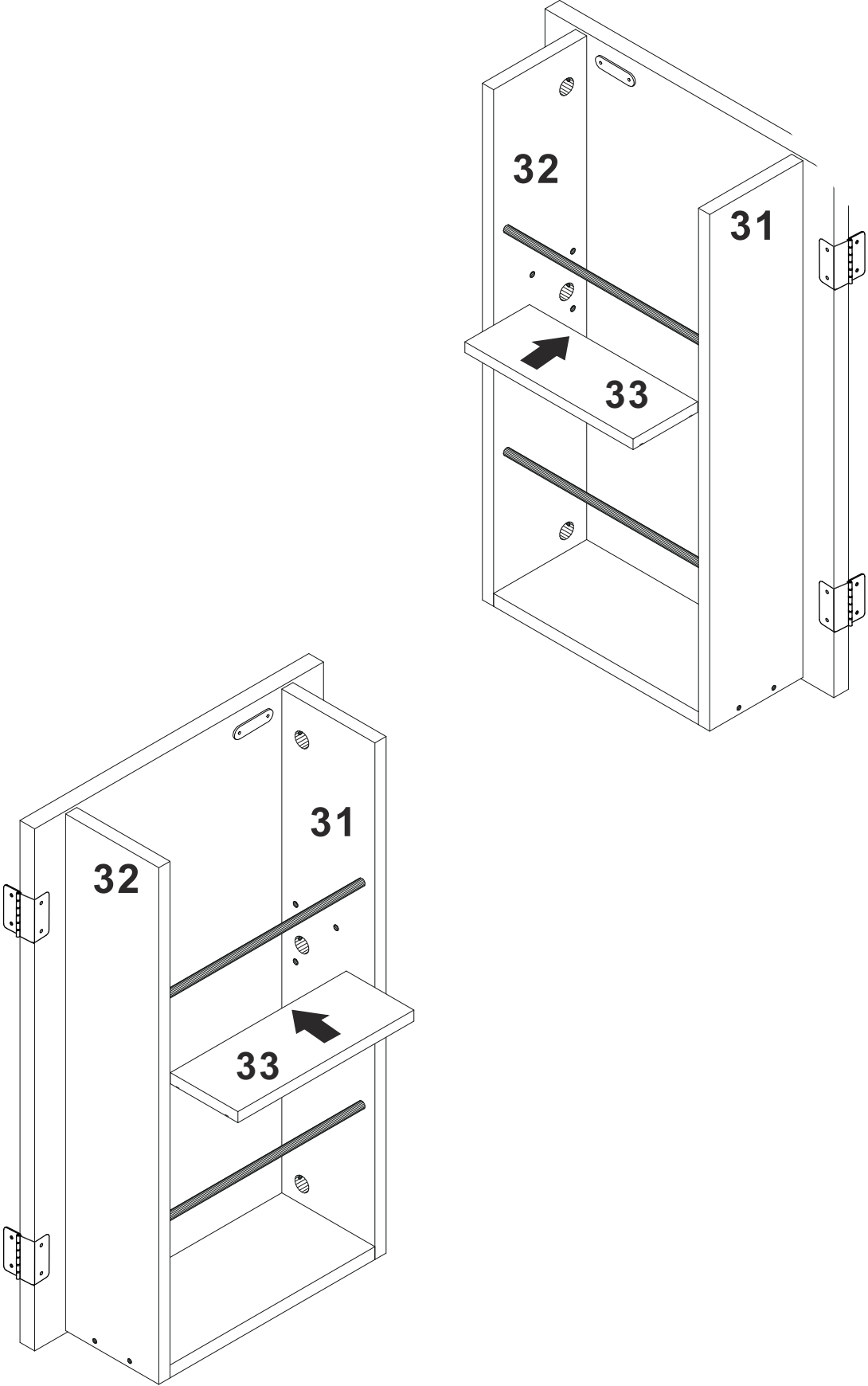
II. Insert the shelf supports (L) into the corresponding holes on panels (31, 31, 32 and 32).

E	X8
	
K	X4
	
L	X8
	




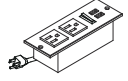
# Step 48

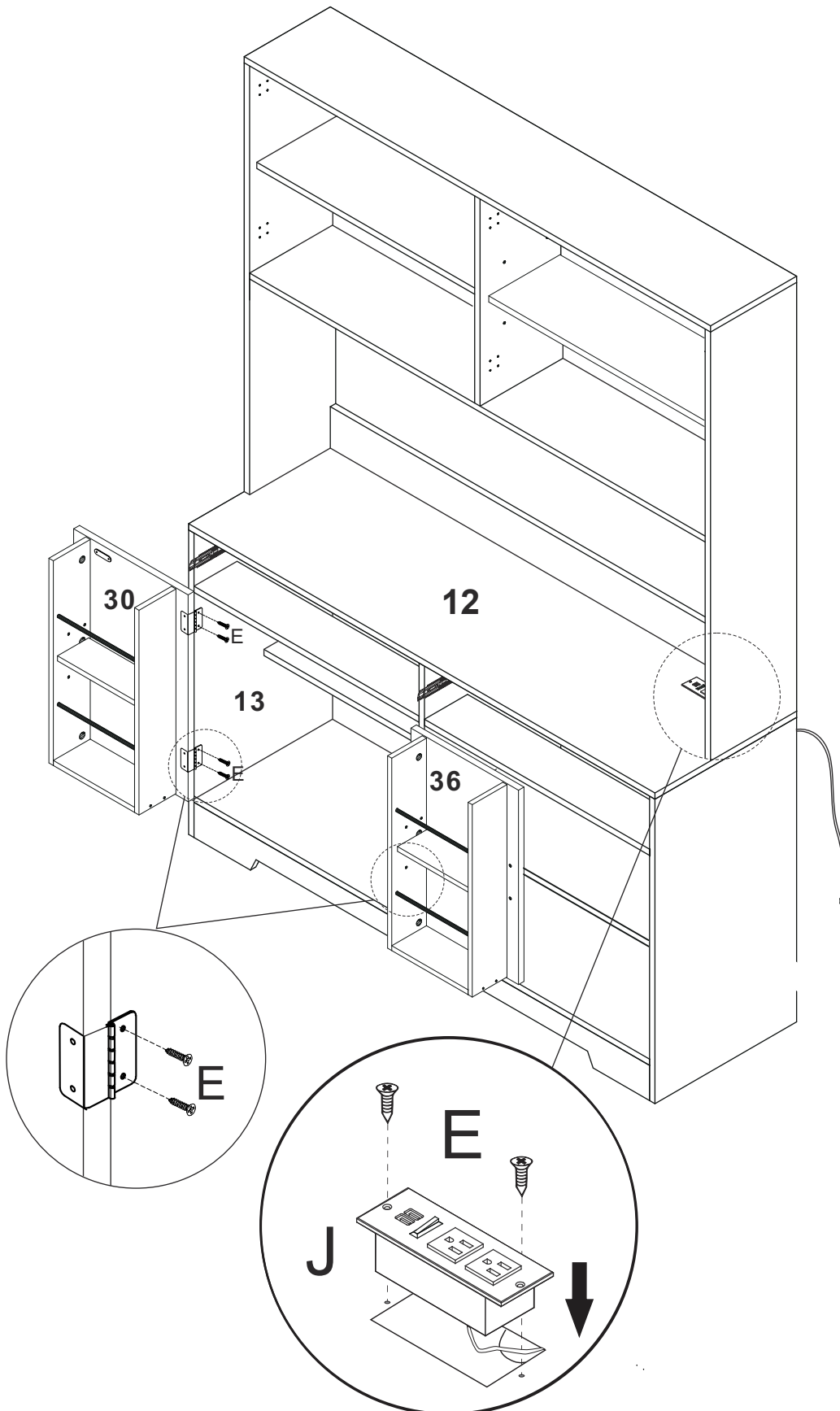
I. Then place panels (33 and 33) onto the shelf supports (L).



## Step 49






- I. Attach the hinge (K) on panel (30 and 36) to panel (13 and 14) and secure it with screws (E).
- II. Use screws (E) to secure the power strip (J) to panel (12).

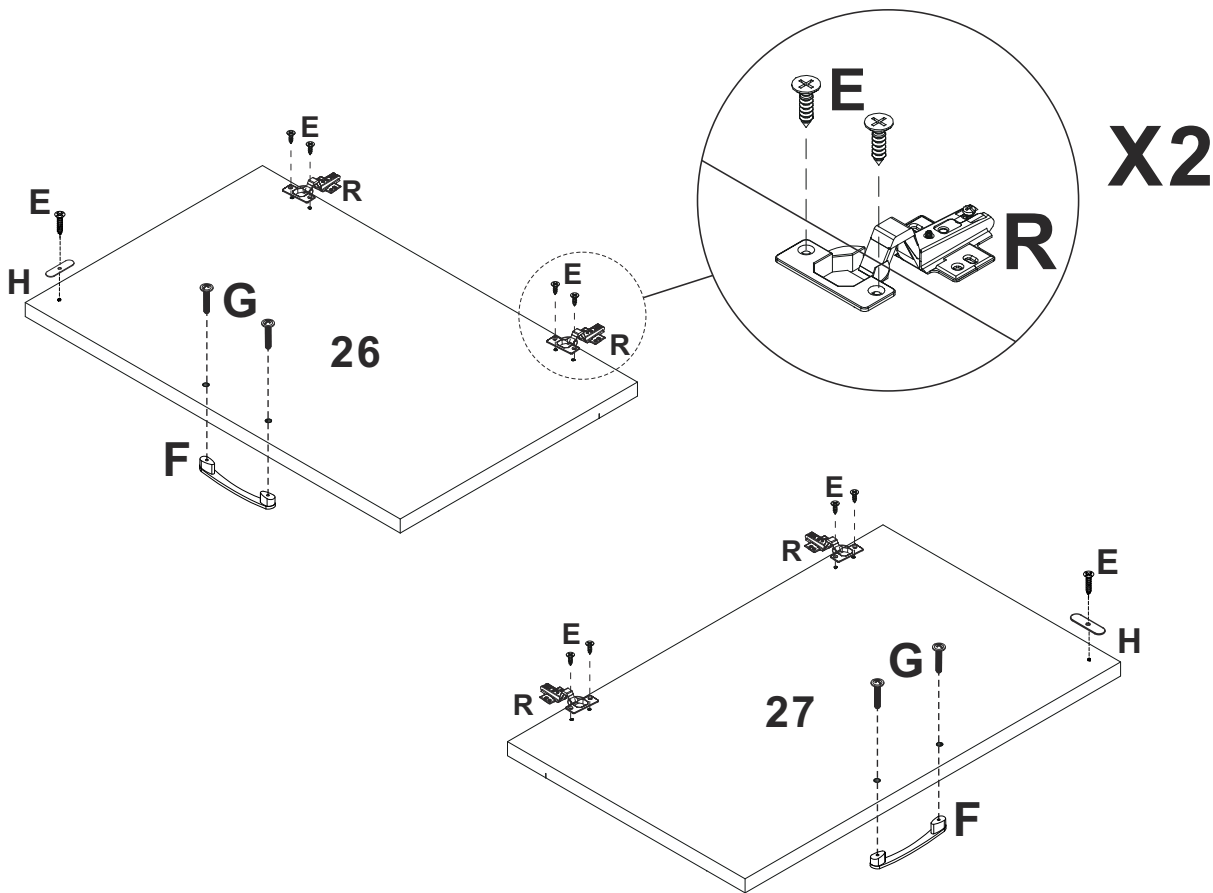
E	X10
	
J	X1
	



## Step 50

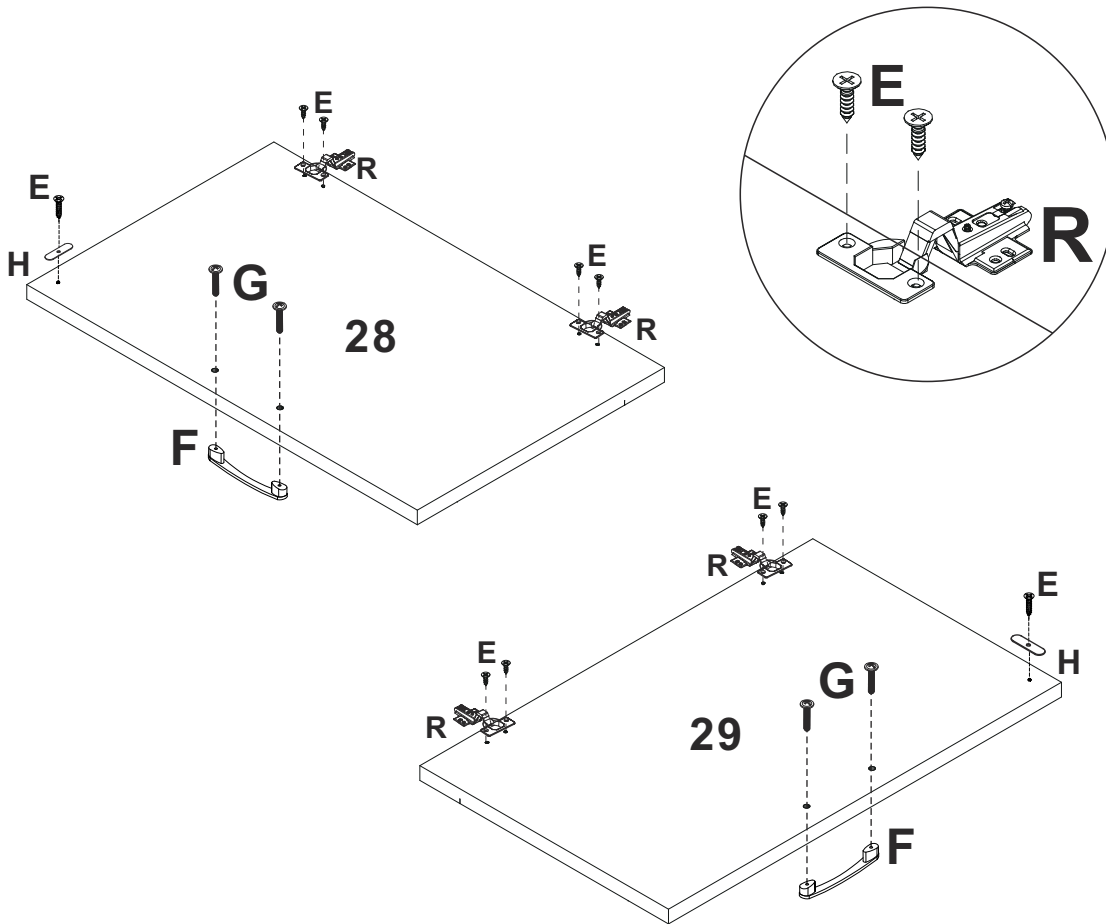
- I. As shown in the illustration, use screws (E) to secure the hinge (R) to panel (26 and 27).
- II. Use screws (G) to attach the handle (F) to panels (26 and 27).
- III. Use screws (E) to secure (H) to panels (26 and 27).






E	X20
	
F	X4
	
G	X8
	
H	X4
	
R	X8
	



## Step 51

- I. As shown in the illustration, use screws (E) to secure the hinge (R) to panel (28 and 29).
- II. Use screws (G) to attach the handle (F) to panels (28 and 29).
- III. Use screws (E) to secure (H) to panels (28 and 29).

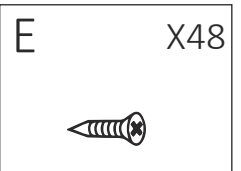


E	X10
	
F	X2
	
G	X4
	
H	X2
	
R	X4
	

## Step 52

- I. Attach the hinge (K) on panel (26) to panels (2 and 3) and secure it with screws (E).
- II. Attach the hinge (K) on panel (27) to panels (3 and 4) and secure it with screws (E).
- III. Attach the hinge (K) on panel (28) to panel (14) and secure it with screws (E).
- IV. Attach the hinge (K) on panel (29) to panel (15) and secure it with screws (E).

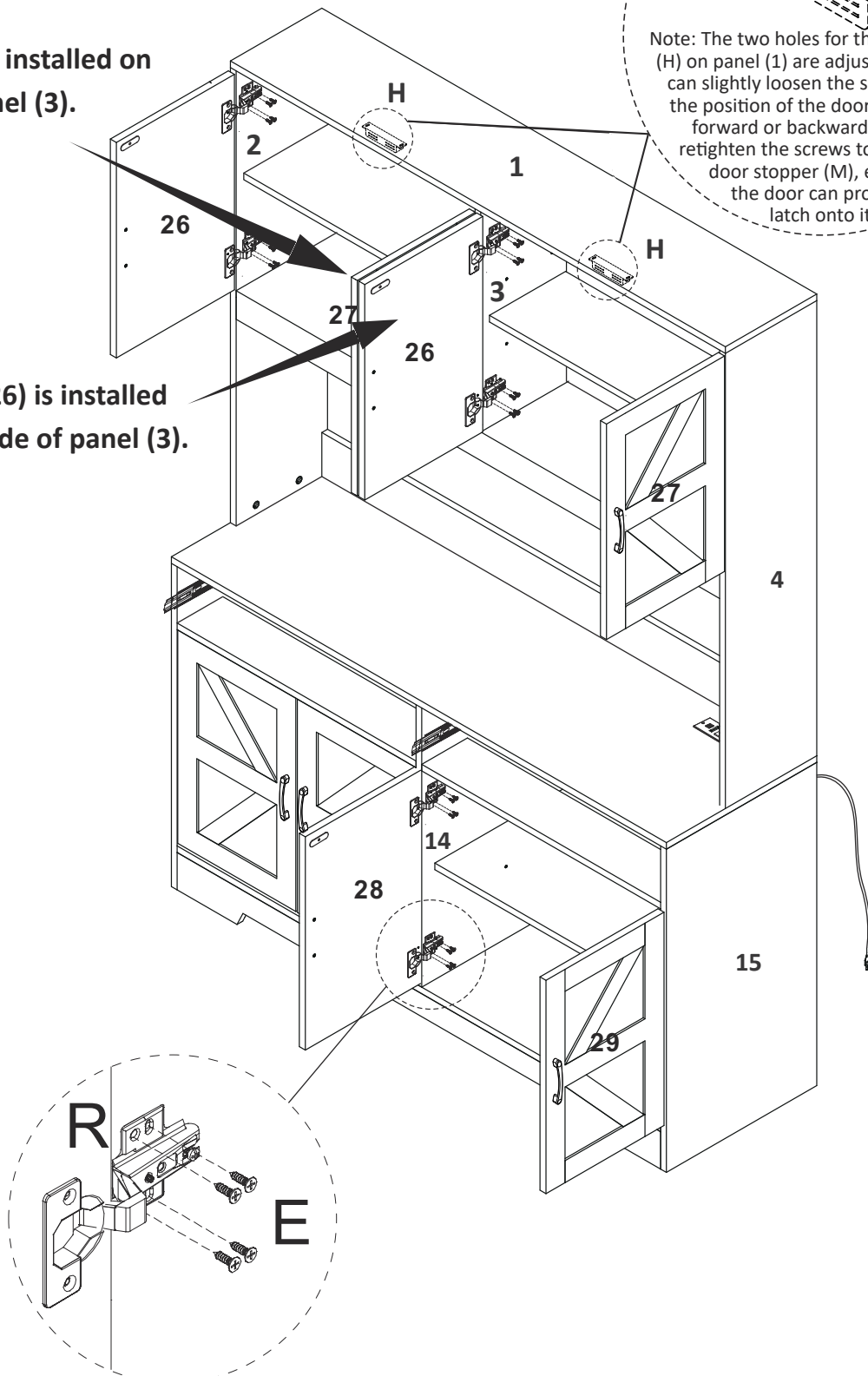
After installing the cabinet doors, if you notice large gaps or misalignment, follow the steps on the next page to adjust the door hinges for proper alignment.



Note: Panel (27) is installed on the left side of panel (3).

Note: Panel (26) is installed on the right side of panel (3).

Note: The two holes for the door stopper (H) on panel (1) are adjustable slots. You can slightly loosen the screws, adjust the position of the door stopper (M) forward or backward, and then retighten the screws to secure the door stopper (M), ensuring the door can properly latch onto it.



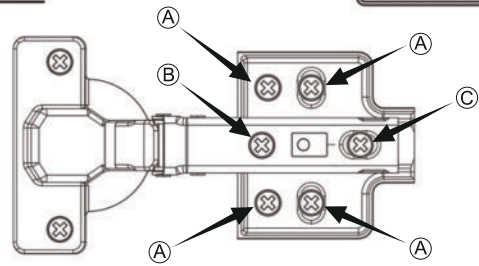
## The ways to adjust the door

- Before adjusting the hinge, please check whether the cabinet is skewed.
- If the skew can not be repaired, please remove the anti-tipping device first, then adjust the cabinet to vertical position.
- Please adjust the hinge with the door open.
- Please operate it with more than 2 people, one person holds the door and the other one adjusts the screw.

### Components Name

The door side

The cabinet side

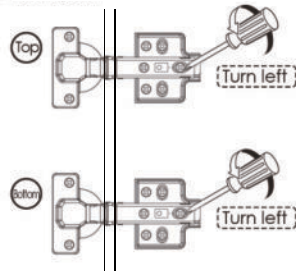


### Adjust the depth: If the door is not parallel to the side of the cabinet

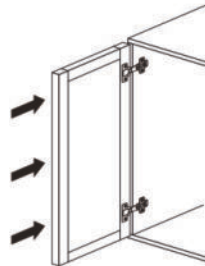


Adjust it according to the three steps on the right.

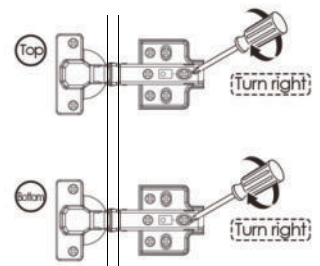
1 Inside the cabinet, turn both hinges to the left to loosen screw "C."



2 Then push the door slightly inward.



3 Finally, turn both hinges inside the cabinet to the right to tighten screw "C."

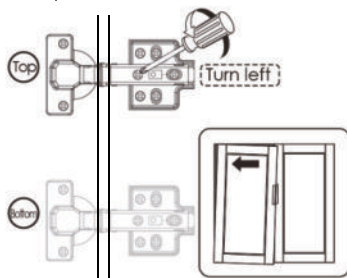


After adjusting screw "C" the door may improve slightly but still not reach the desired result. You can repeat the above steps to fine-tune the adjustment. If there is no change, slightly turn screw "B" to the right.

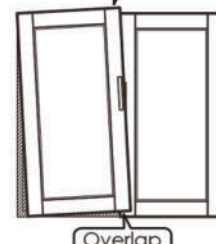
### When door is leaning



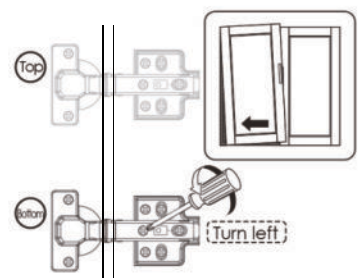
1 Turning screw "B" on the upper hinge inside the cabinet to the left will tilt the top of the door outward.



Protruding to the upside



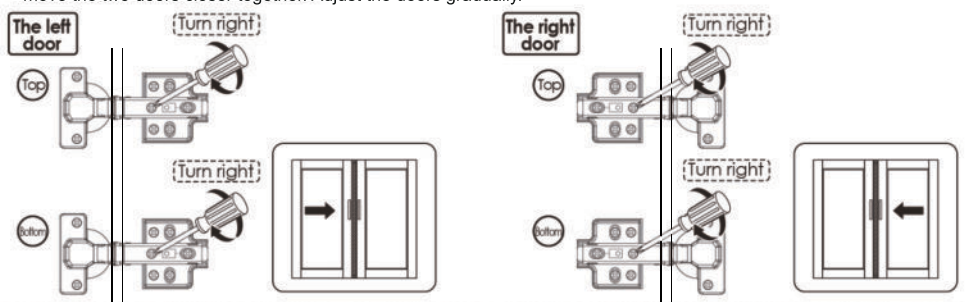
1 Turning screw "B" on the lower hinge inside the cabinet to the left will tilt the bottom of the door outward.



### When 2 doors are not tight

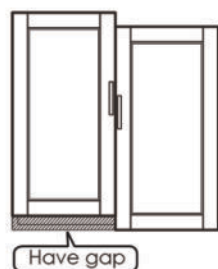


1 To adjust both the left and right doors, turn screw "B" inside the cabinet to the right to move the two doors closer together. Adjust the doors gradually.

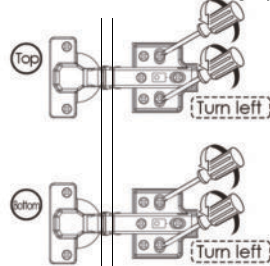


If the two doors overlap, turn screw "B" to the left.

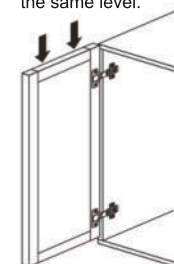
### When the door is higher on top



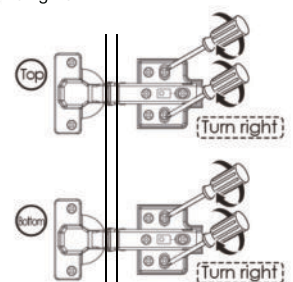
1 To adjust the left door, turn screw "A" on both hinges inside the cabinet to the left to loosen them slightly.



2 Push the left door downward to lower its height so that both doors are aligned at the same level.



3 Then turn screw "A" to the right to tighten it.



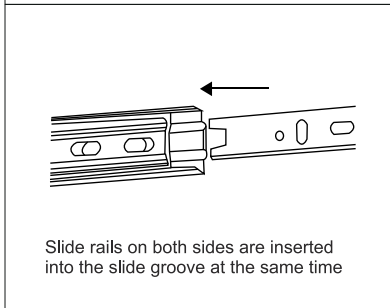
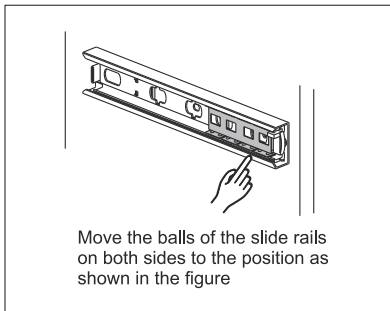
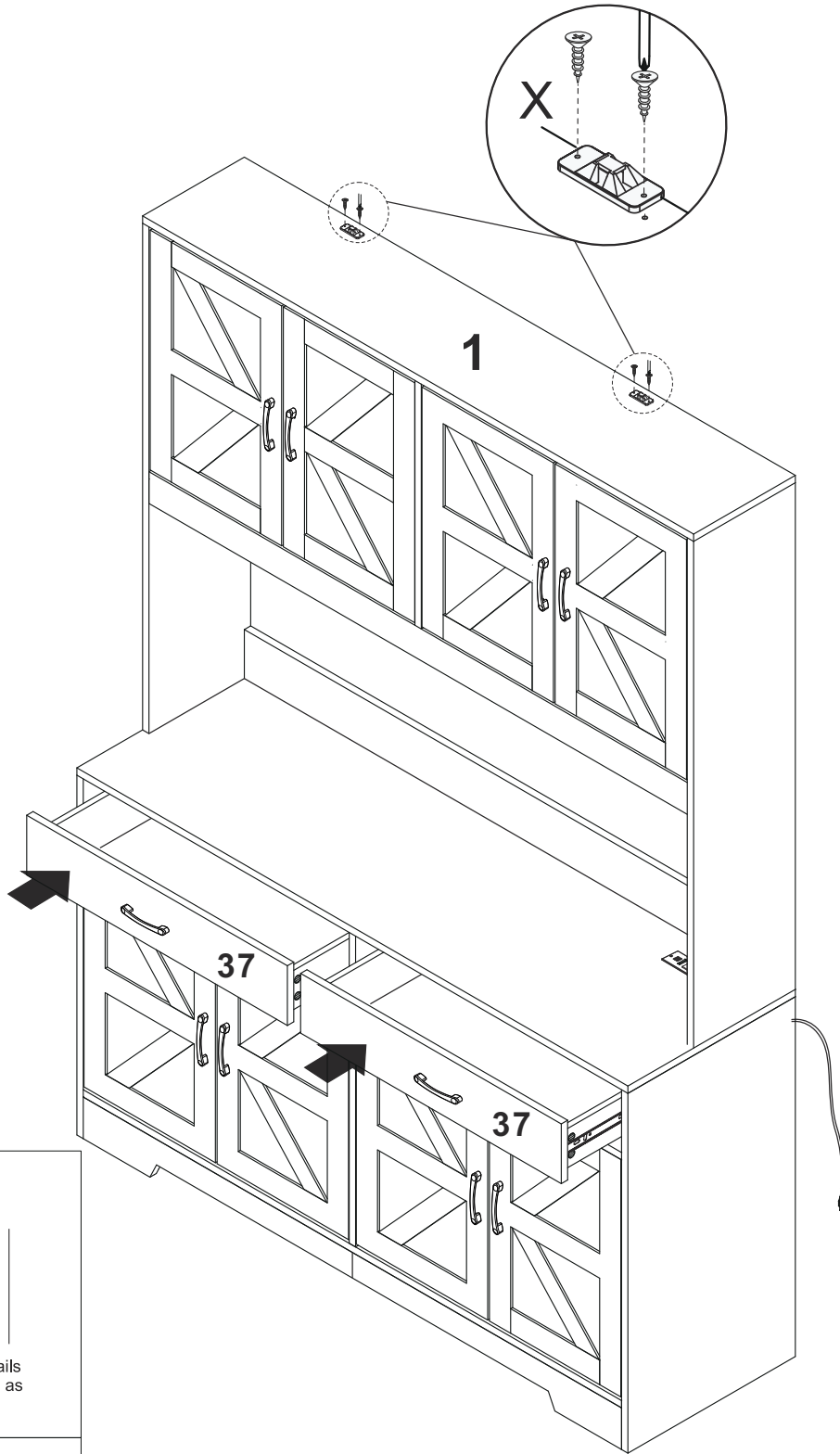
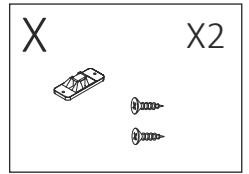
※ If the door is lower on bottom, please lift up the left door slightly on step 2

## Step 53

I. Align the slide rails (D2) on drawers (37 and 37) with the slide rails (D1) inside the cabinet, then slowly push the drawers in until the rails slide smoothly.

If the rails do not slide smoothly, repeat the above installation steps.

II. Use screws (X) to secure the anti-tip accessory (X) to panel (1).



## Step 54

- I. Mark the drill position on the wall with a pencil.
- II. Drill a small hole on the marked position.
- III. Insert drywall anchor (X) into the drilled hole.
- IV. Use long screw (X) to fix it to the drywall anchor (X).
- V. Use the plastic strap (X) to connect the plastic piece on the wall to the plastic piece on panel.

