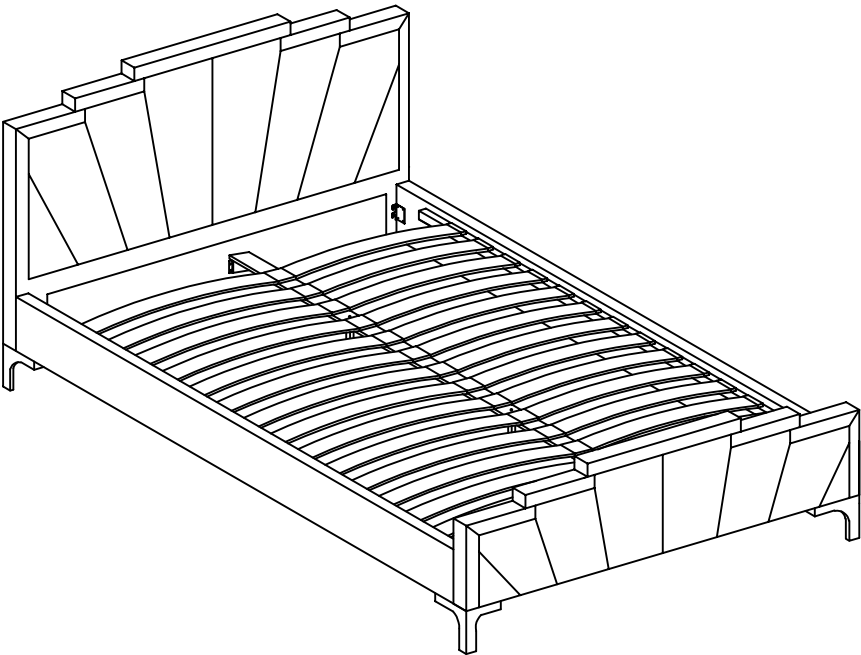


ASSEMBLY INSTRUCTIONS

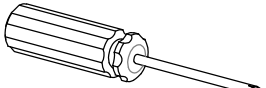


TOOLS REQUIRED



Allen Wrench

(Included)



Phillips Screwdriver

(Not Included)



2 - People Recommended

ASSEMBLY RATING



EASY —————> DIFFICULT

The Assembly Rating is a 5-point system showing the level of effort needed to assemble a specific product.



CHECK BEFORE STARTING

Are you missing anything?

Double-check all parts, hardware and accessories listed are all accounted for.

Check out our Quick Tips!

We recommend reviewing the pre-assembly handouts. Even experts need a refresher now and then!

Should we send any replacements?

Are there any irregularities or flaws in the parts? We can send replacements!

Prep Time!

Please review the assembly instructions and all diagrams prior to assembling.

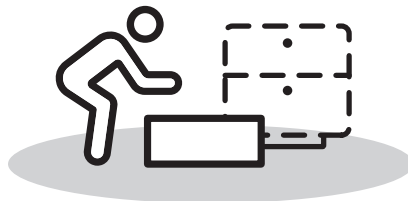
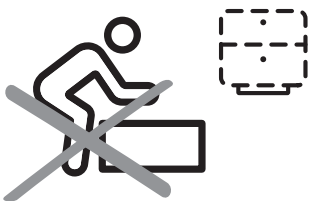
PRE ASSEMBLY INTRODUCTION

We understand building ready-to-assemble furniture can be a challenging experience for some. To help avoid confusion, we have provided some helpful tips that may speed up the process.



Teamwork

ALWAYS have at least two people to help with transporting and assembling the product to avoid potential injury and/or damage.



Suitable Location

Assembling near the area of the intended location is highly recommended.



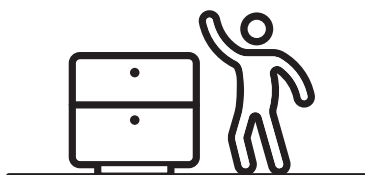
Sufficient Space

Make sure you have enough space to move around during the assembly.



Avoid Scratches

Use cardboard, blankets or a carpeted area while assembling furniture to prevent to prevent scratches and damages.



Flat Surface

Make sure the furniture rests on a flat and level surface with each leg evenly touching the floor.

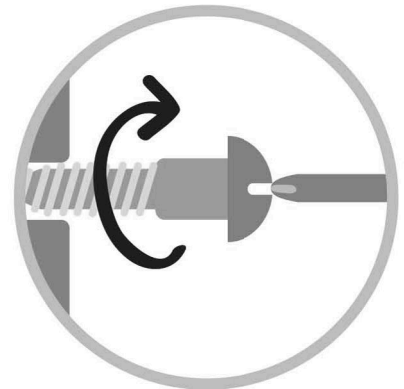
ASSEMBLY AND CARE ADVICE



FAILURE TO FOLLOW THE GUIDELINES BELOW MAY RESULT IN INJURY AND/OR PROPERTY DAMAGE.



Position each part correctly and insert screws or bolts into their respective holes.



Turn clockwise to tighten and only tighten when step is completed or when instructed to do so.



Save the instructions and store any supplied tools for later maintenance.

Use the appropriate hand tools or power tools for assembly. Select steps, such as tightening screws and/or bolts, may require hand tools to avoid causing damage during assembly.



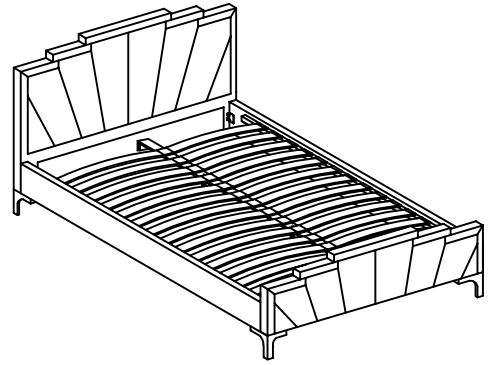
After two weeks, check and tighten any loose hardware and repeat again every six months thereafter.

IT IS THE USER'S RESPONSIBILITY TO MAINTAIN THE FURNITURE. THE HARDWARE MAY LOOSEN OVER TIME AND MAY CAUSE THE FURNITURE TO BE WOBBLY AND UNABLE TO SUPPORT ITS INTENDED WEIGHT CAPACITY. THIS MAY LEAD TO COLLAPSE AND MAY CAUSE SERIOUS INJURY.

QUEEN BED

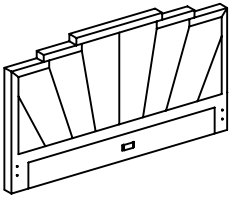


- Please keep instructions for future reference.
- Check the quantity and irregularity of parts and hardware before you start.



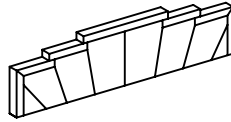
PARTS

#1 x 1pc



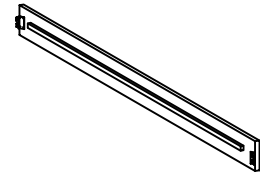
Headboard

#2 x 1pc



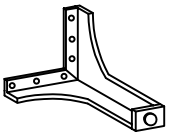
Footboard

#3 x 2pcs



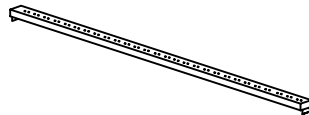
Side Rail

#4 x 4pcs



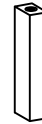
Legs

#5 x 1pc



Center Rail
2040mm

#6 x 2pcs



Bed Slat Support
215x30x30mm

#7 x 28pcs



Bed Slat
762mm

#8 x 14pcs



Middle Holder

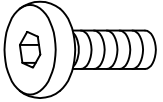
#9 x 28pcs



End Holder

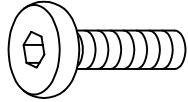
HARDWARE

#A x 8pcs



JCBB M8x20mm

#B x 2pcs



JCBC M6x40mm

#C x 1pc



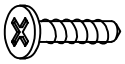
Allen Wrench
M4 x 65mm

#D x 1pc



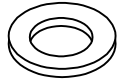
Allen Wrench
M5 x 70mm

#E x 14pcs



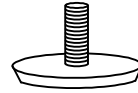
CSK Screw
M4 x 25mm

#F x 12pcs



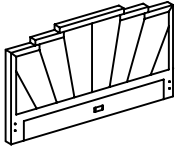
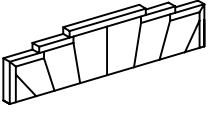

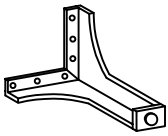
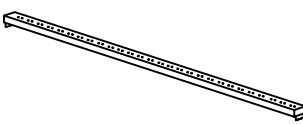

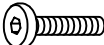

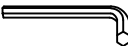
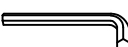

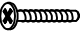




M6 Flat Washer

#G x 2pcs



Adjuster

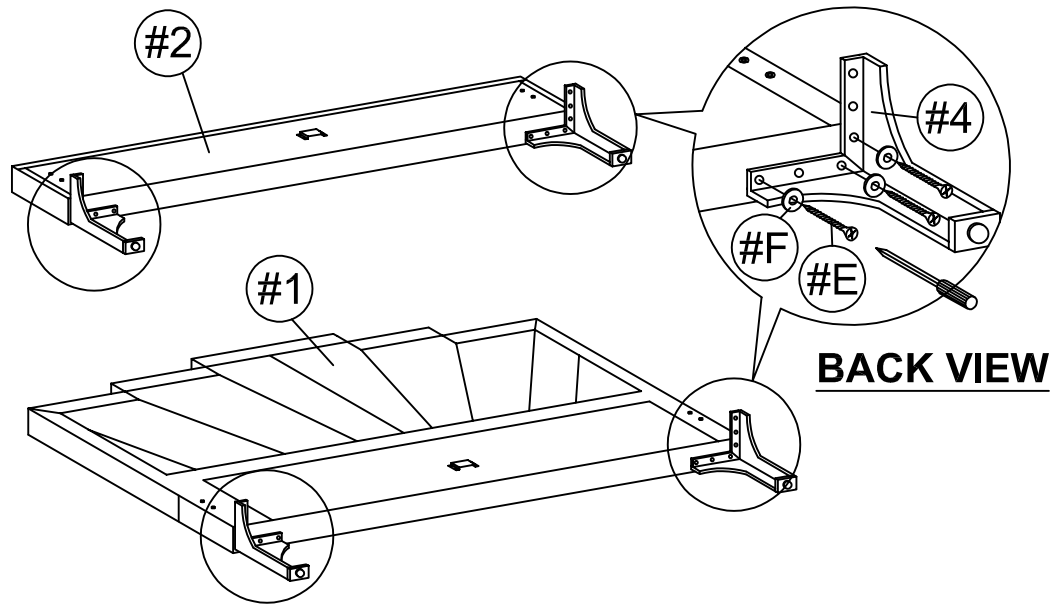
POINT 3 CARTONS

Carton	Designation	#	Part	Hardware
	Headboard	#1		
	Footboard	#2		
	Side Rail	#3		
	Legs	#4		
	Center Rail	#5		 #A x 8pcs  #B x 2pcs
	Bed Slat Support	#6		 #C x 1pc  #D x 1pc
	Bed Slat	#7		 #E x 14pcs  #F x 12pcs
	Middle Holder	#8		 #G x 2pcs
	End Holder	#9		

ASSEMBLY INSTRUCTIONS

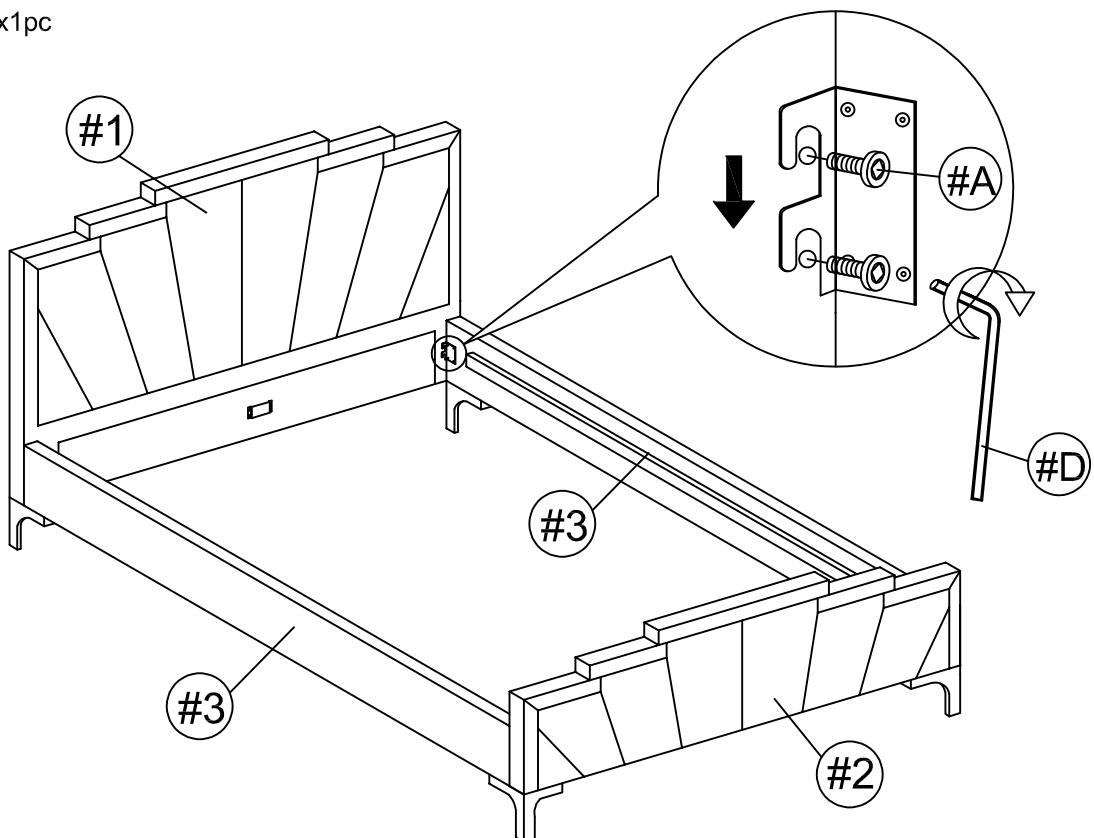
1

- Part #1 x1pc
- Part #2 x1pc
- Part #4 x4pcs
- Hardware #E x12pcs
- Hardware #F x12pcs



2

- Part #3 x2pcs
- Hardware #A x8pcs
- Hardware #D x1pc



ASSEMBLY INSTRUCTIONS

3

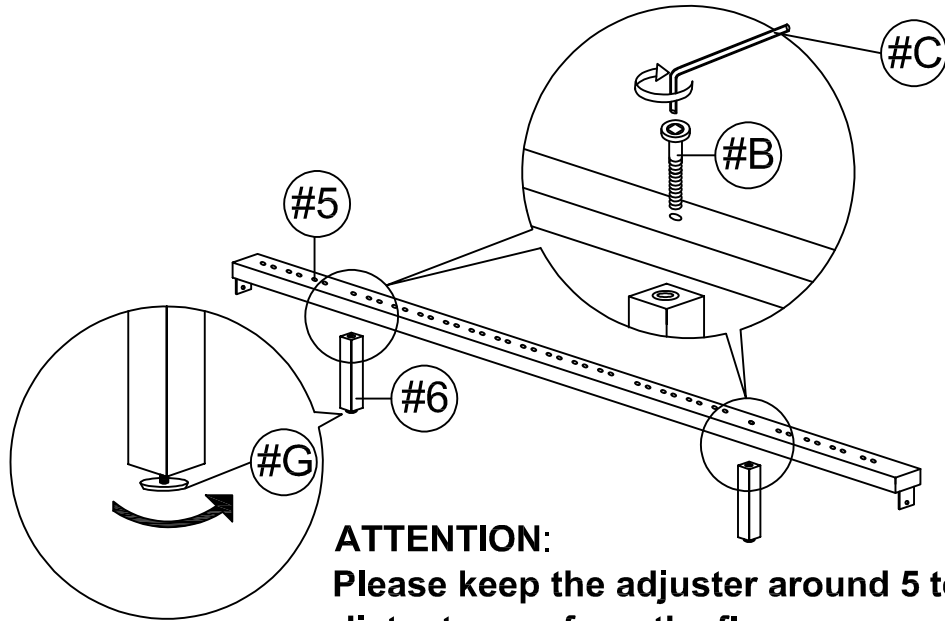
Part #5 x1pc

Part #6 x2pcs

Hardware #B x2pcs

Hardware #C x1pc

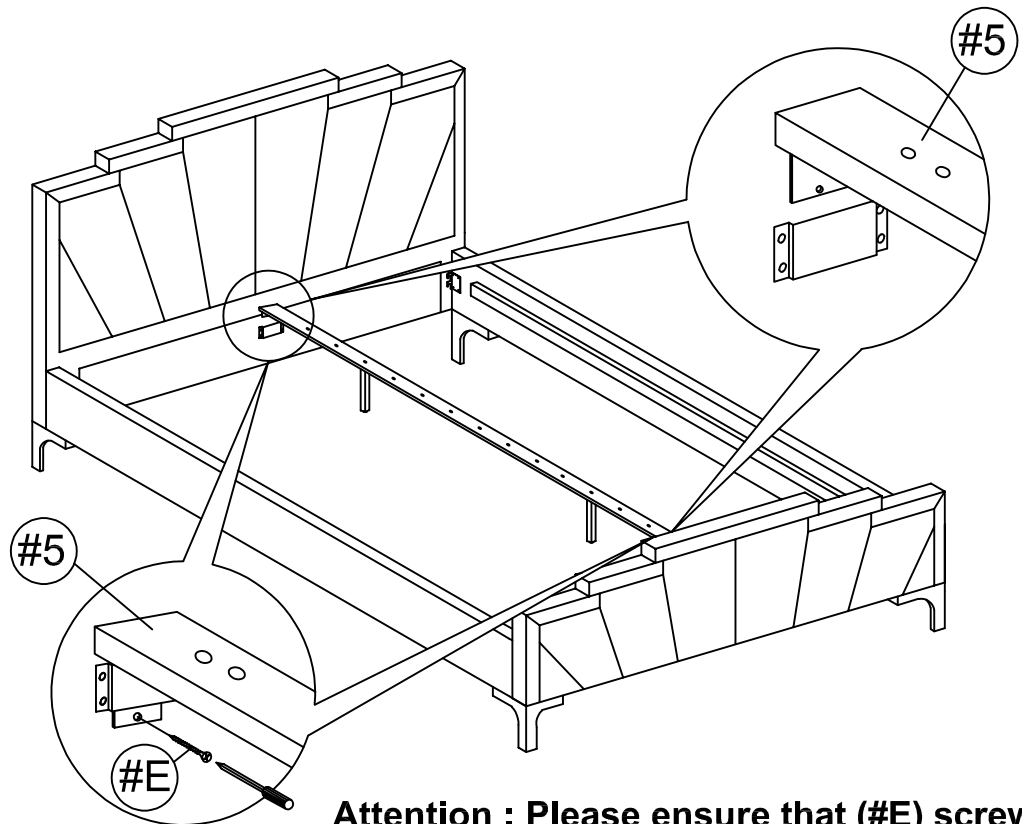
Hardware #G x2pcs



ATTENTION:
Please keep the adjuster around 5 to 8 mm distant away from the floor.

4

Hardware #E x2pcs



Attention : Please ensure that (#E) screw is being attach as per the A.I shown to avoid base being collapse .

ASSEMBLY INSTRUCTIONS

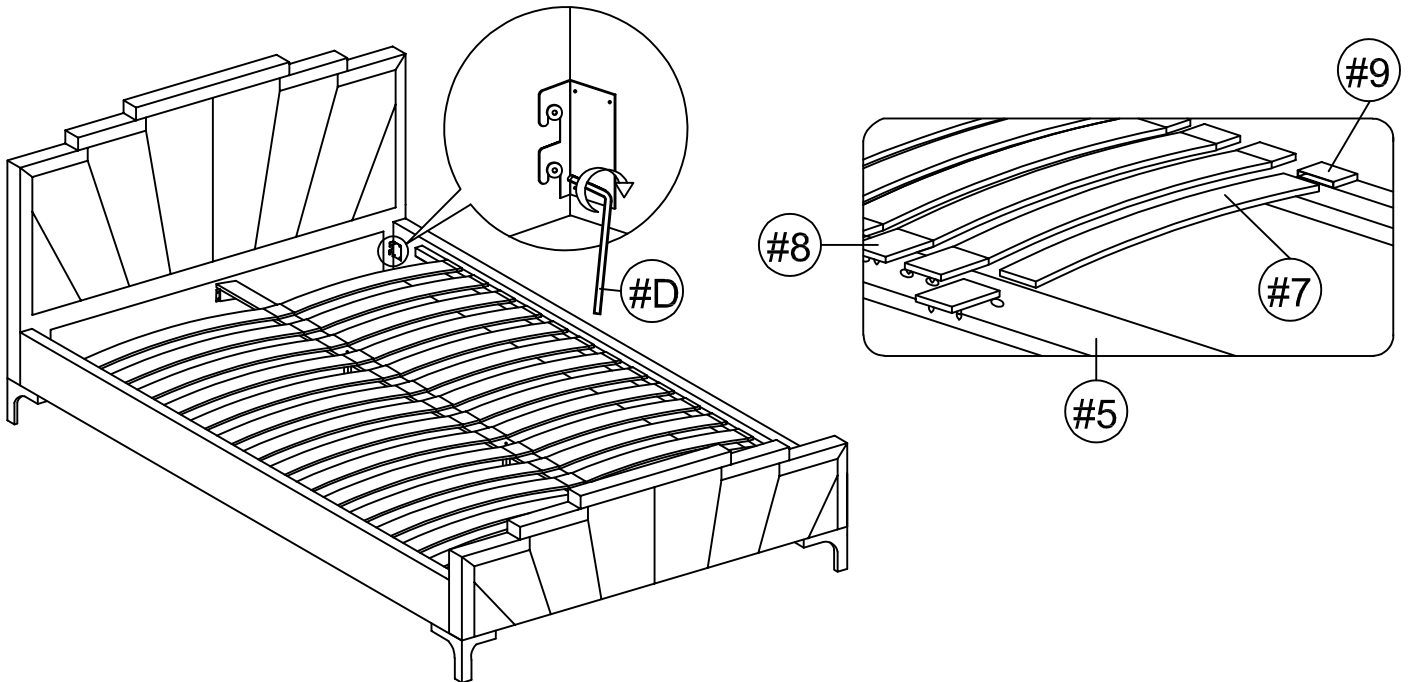
5

Part #7 x28pcs

Part #8 x14pcs

Part #9 x28pcs

Hardware #D x1pc



ASSEMBLY COMPLETED



Please ensure the furniture rests on an even and flat surface. If the product wobbles or feels loose, double-check all bolts and/or screws are properly tightened and secured.

✓ Keep this handy!

Please retain this instruction manual and any order-related information for future reference.

✓ Lift, don't drag!

To avoid damage to product please always LIFT the product when transporting or adjusting the placement.