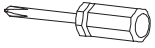


Coffee Table Installation

Tools You Will Need: Tools You May Need



philis head screwdrier
rewuired of assembly
(not include)



hammer
(not include)



electric drill
(not include)

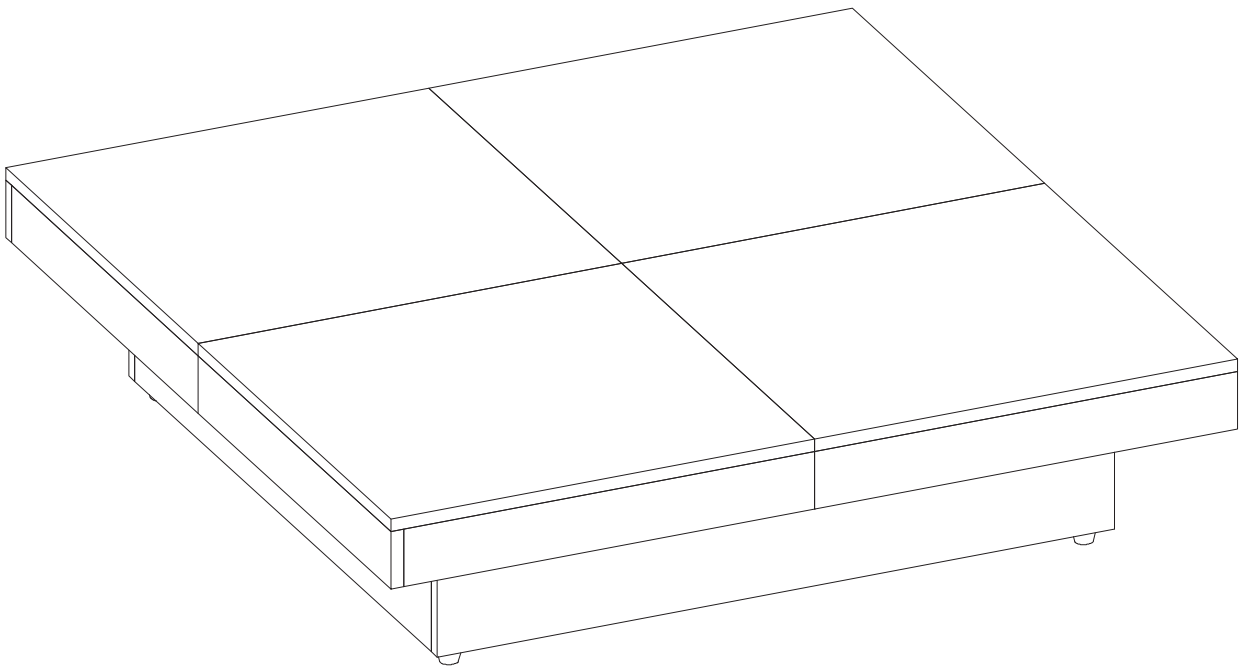
Before the Installation

1. Do not throw away packing materials until assembly is complete for small parts may come loose inside the carton during shipment. If parts are missing, please contact us.
2. Assemble this item on a soft surface, such as carpet to protect the finish.
3. Proper assembly of this item requires 2 people.
4. Periodically check to ensure that all connections are tight.
5. It is recommended that installation of the product be done by a qualified licensed furniture assembler.

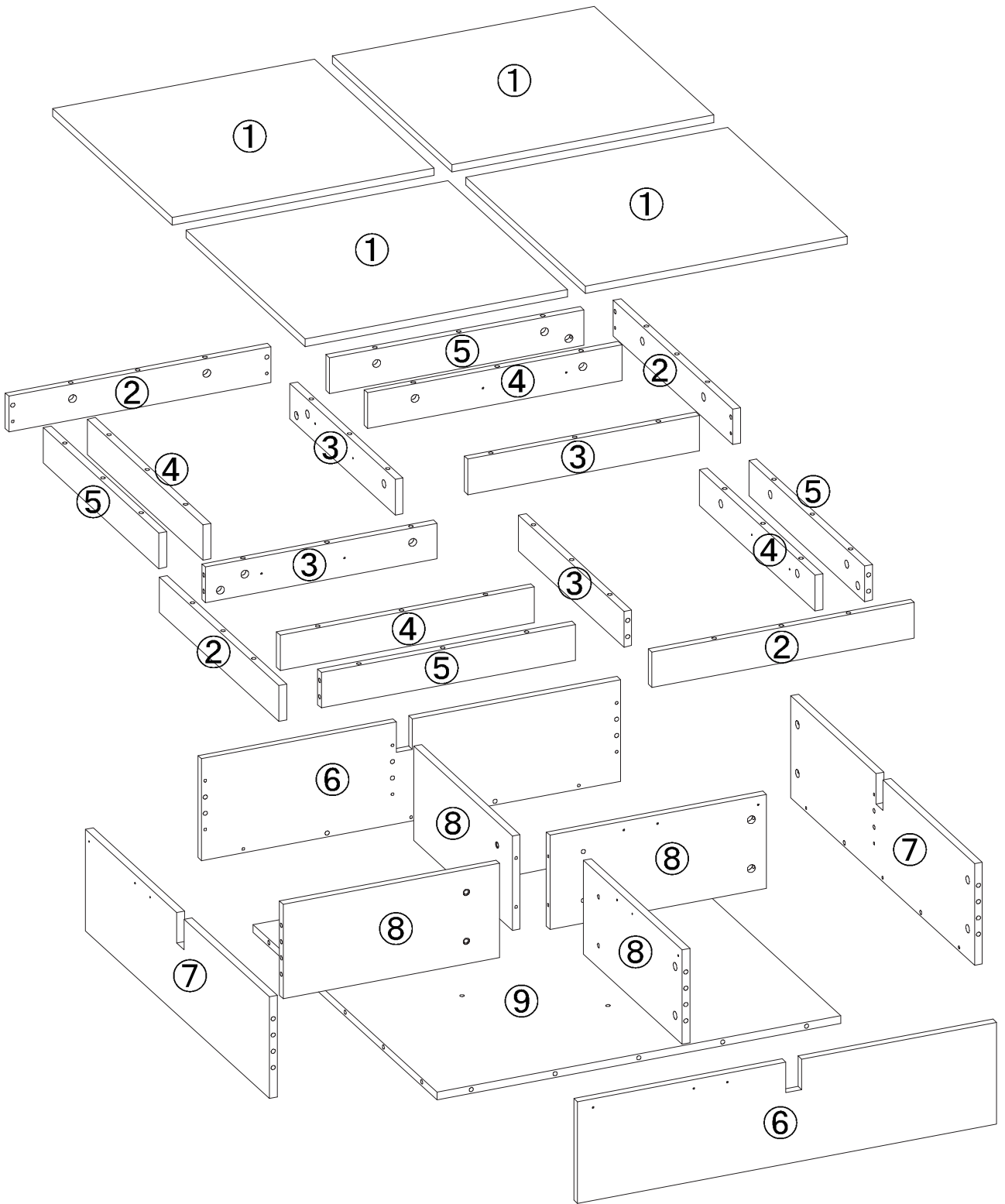
Care and Cleaning

1. To protect the finish, avoid use chemicals and household cleaners.
2. All hot serving dishes should be placed on a pad.
3. Any liquid spilled onto the top should be cleaned up immediately with a damp cloth.

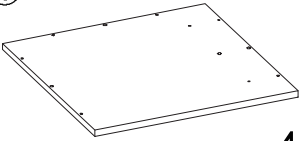
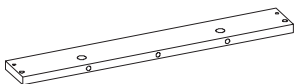
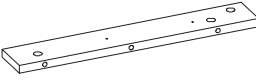
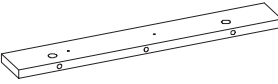
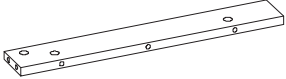
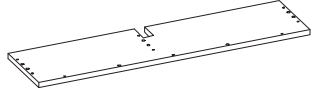
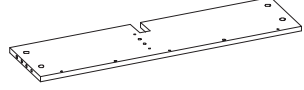
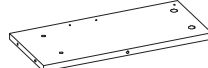
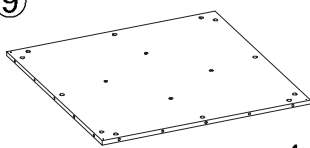
Parts List

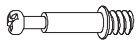











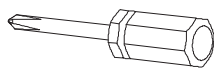
Note: Do not fully tighten all bolts until all parts are in place. Failure to follow these instructions may cause the bolt to misalign during assembly.



Parts List

 ① x4	 ② x4	 ③ x4	 ④ x4
 ⑤ x4	 ⑥ x2	 ⑦ x2	 ⑧ x4
 ⑨ x1			

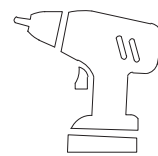
A  6x35mm x68	B  $\phi 15 \times 12 \text{mm}$ x68	C  $\phi 8 \times 30 \text{mm}$ x48	D  6x40mm x12	E  M4 x1
F  340mm x8	G  340mm x8	H  M4x12mm x48	I  $\phi 30 \times 20 \text{mm}$ x4	J  M4x 20mm x4



philis head screwdrier
rewuired of assembly
(not include)

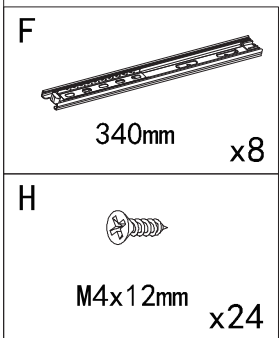
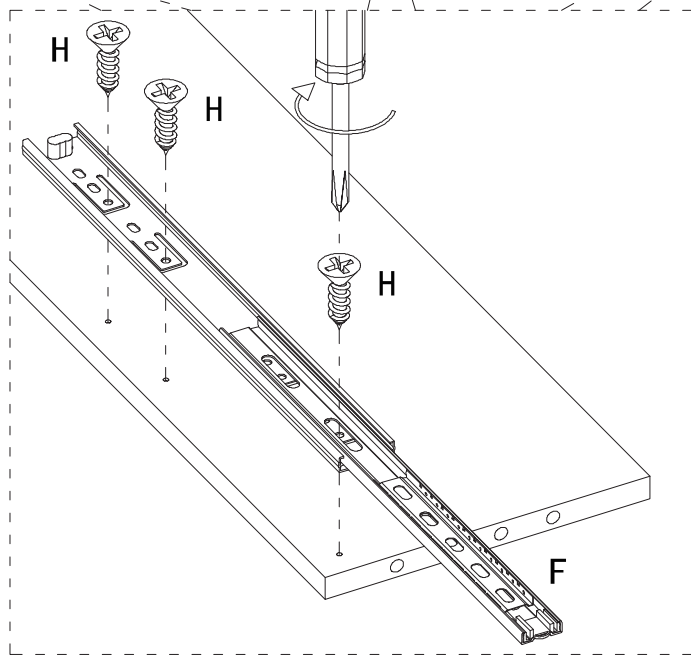
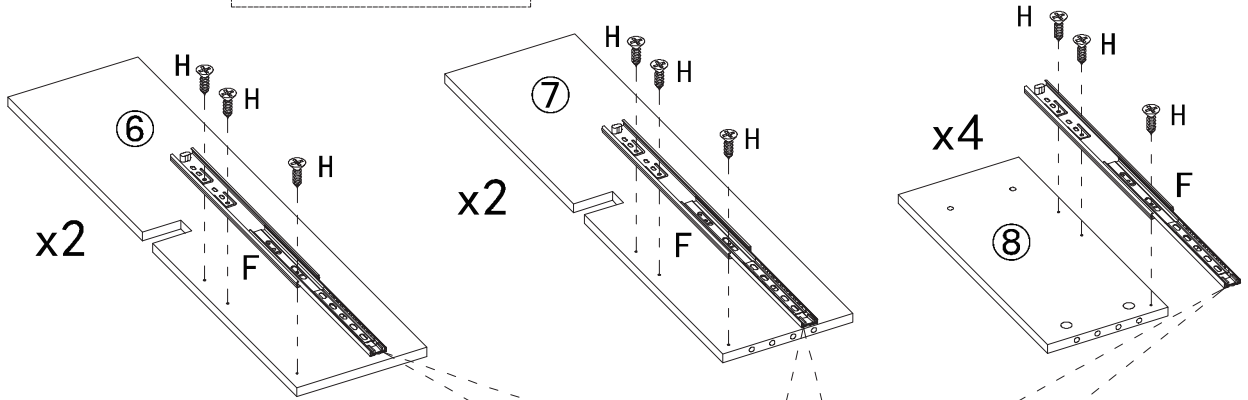
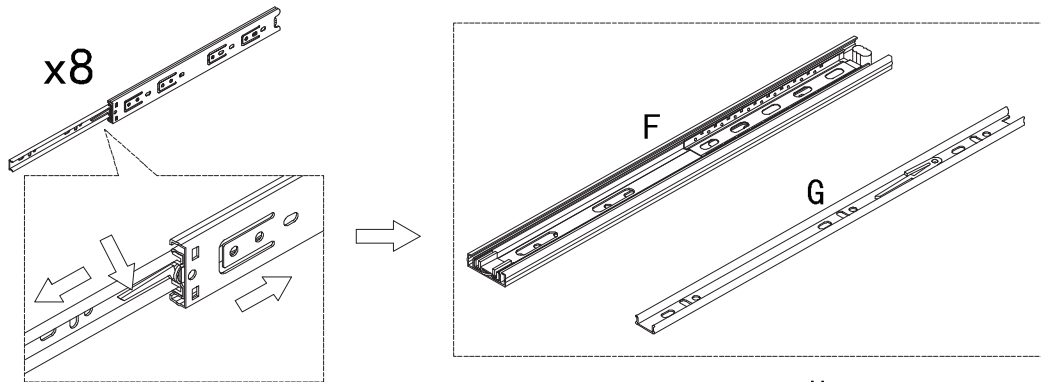


hammer
(not include)

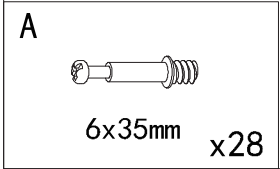
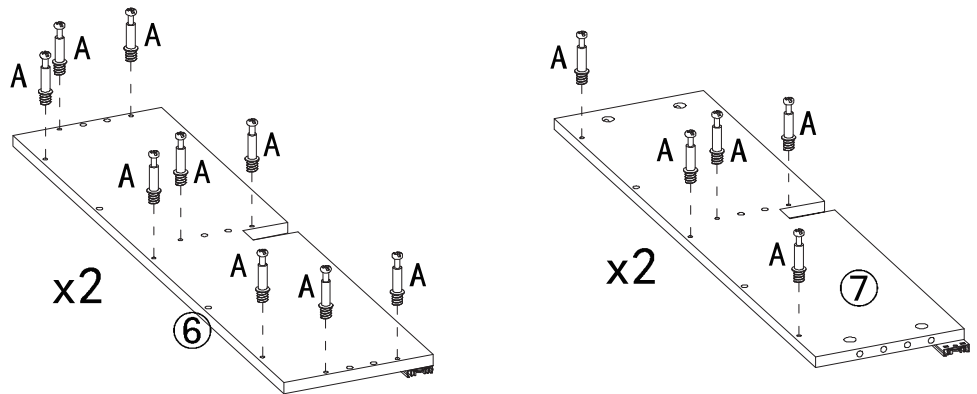


electric drill
(not include)

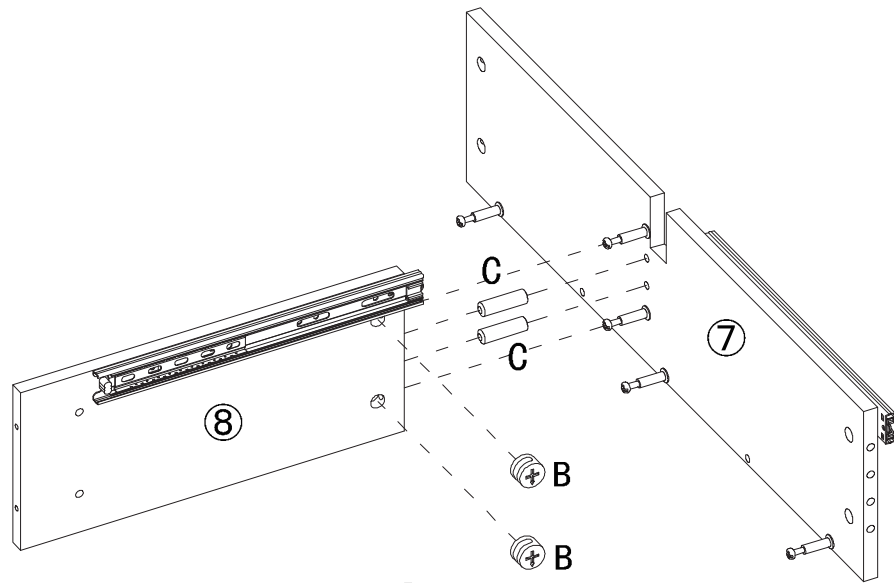
STEP 1



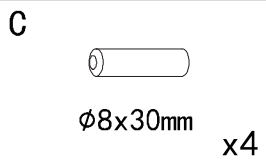
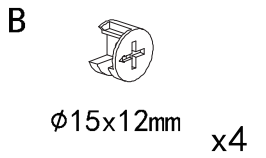
STEP 2



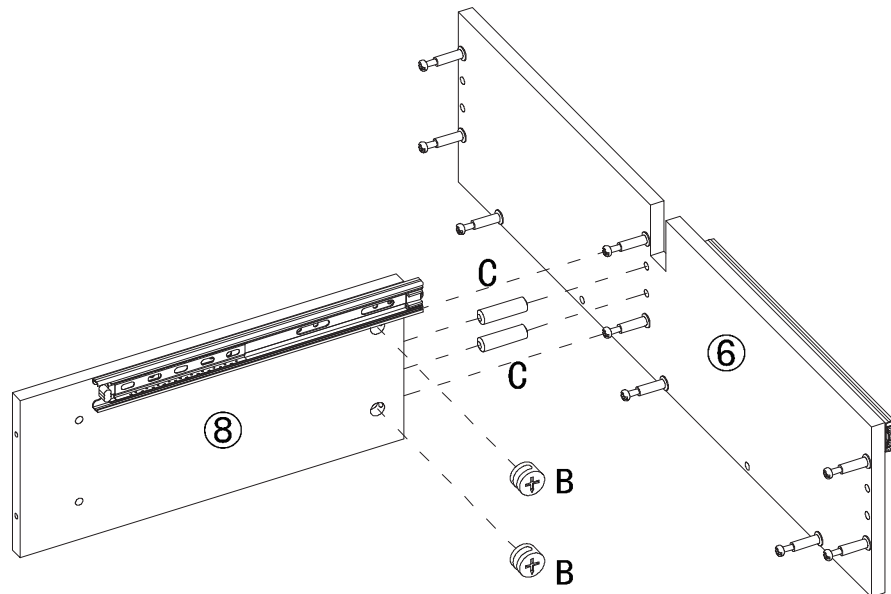
STEP3



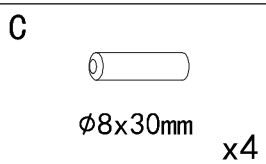
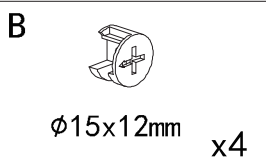
x2



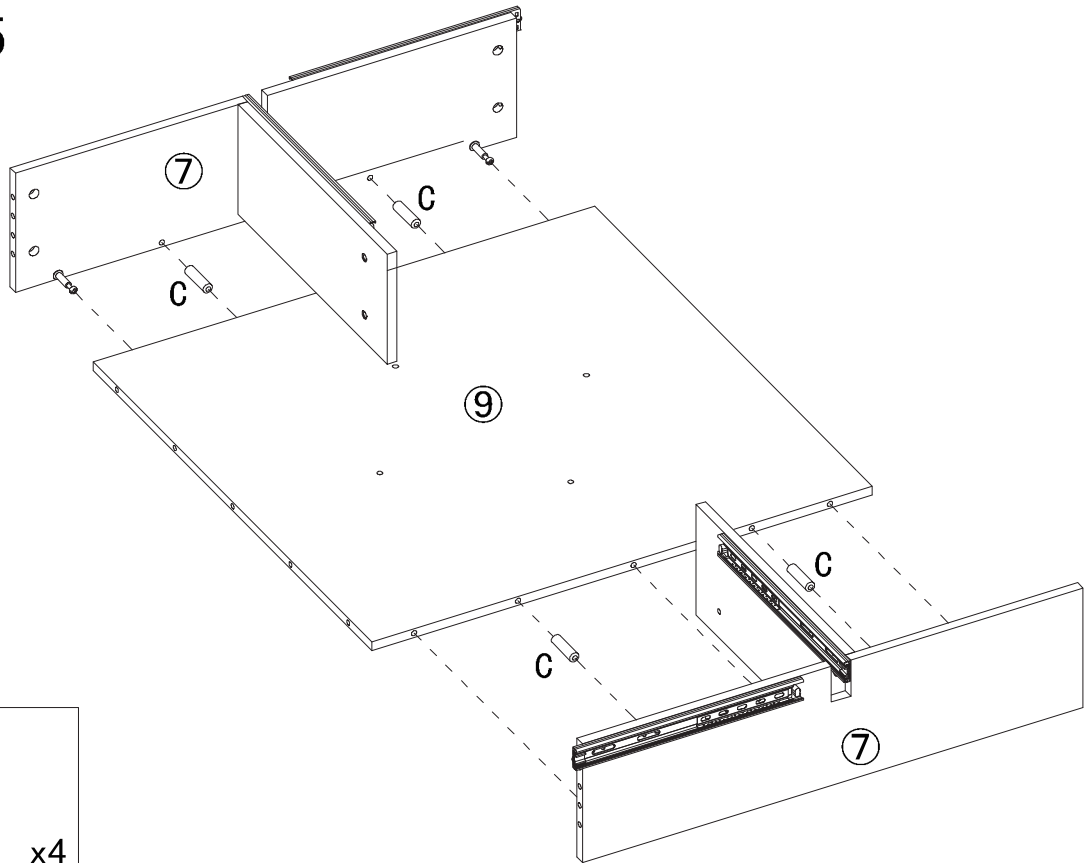
STEP4




x2



STEP5

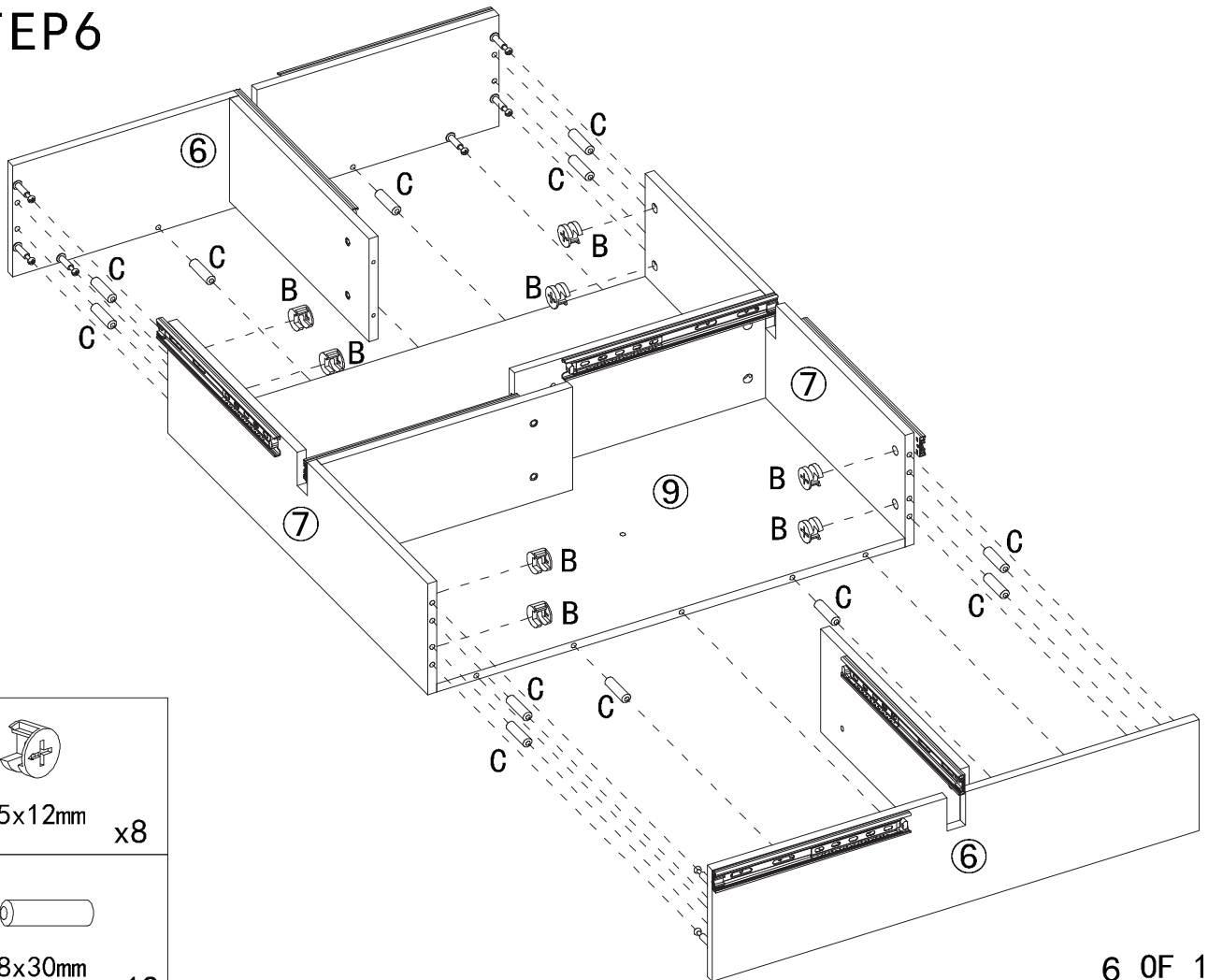


C




$\phi 8 \times 30 \text{mm}$ x4

STEP6




B



$\phi 15 \times 12 \text{mm}$ x8



C



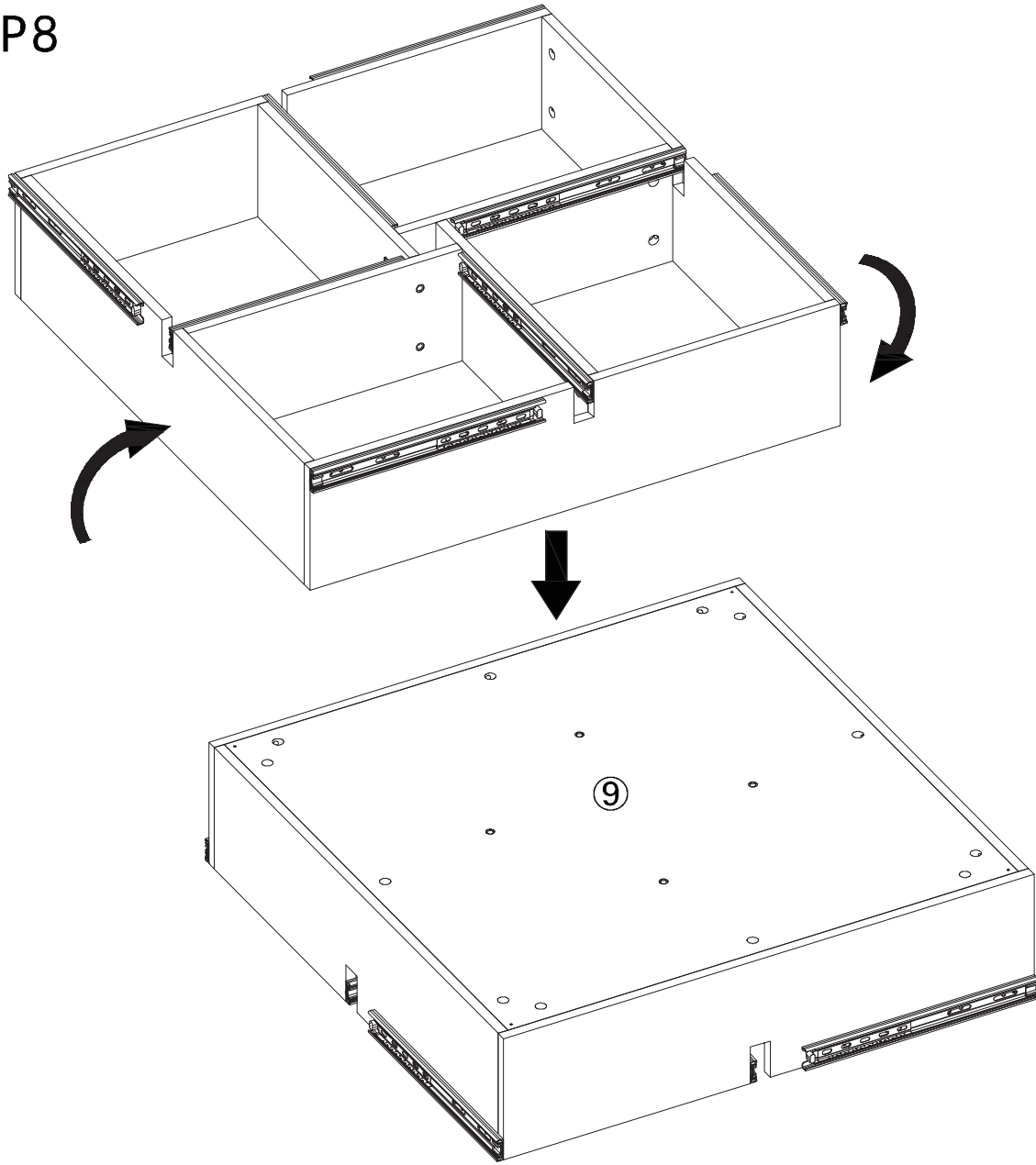
$\phi 8 \times 30 \text{mm}$ x12

STEP 7

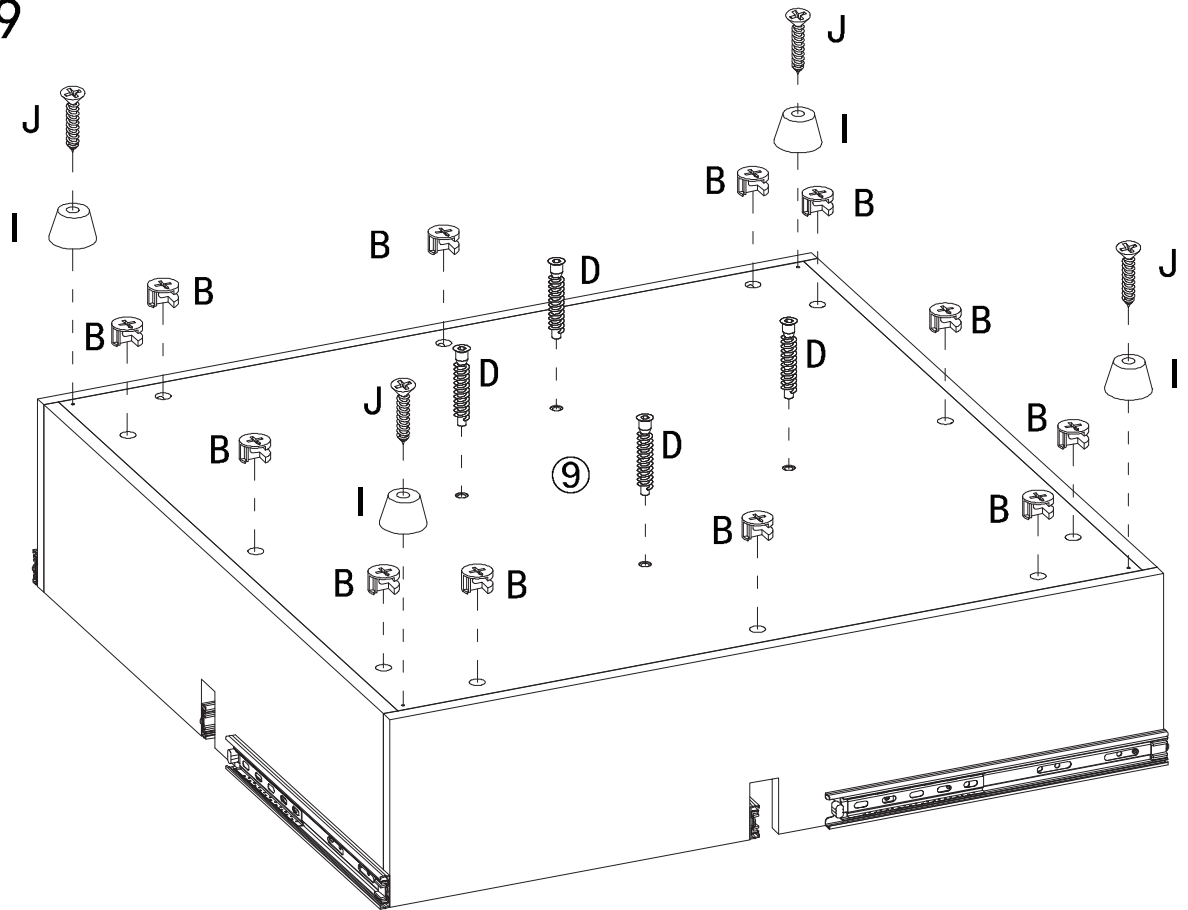


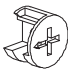




- D 
6x40mm x8
- E 
M4 x1

STEP 8

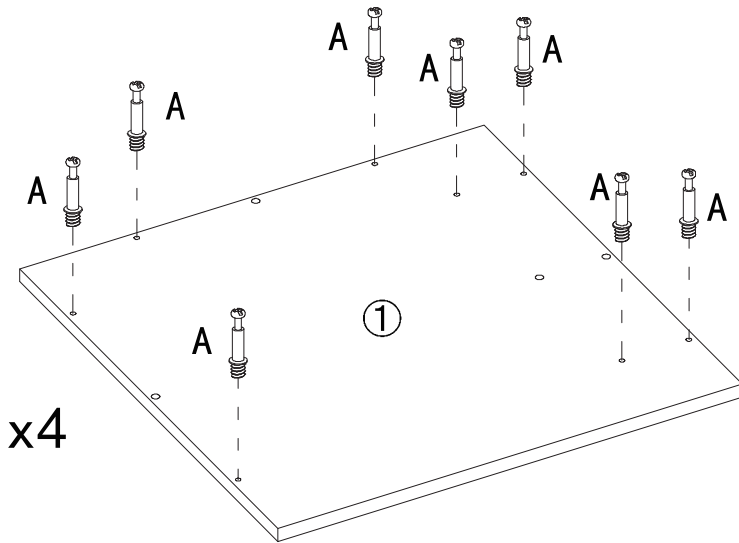


STEP 9

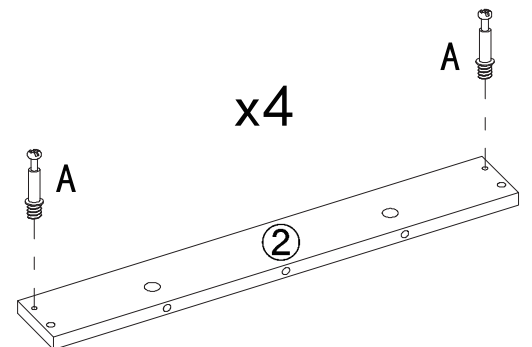


<p>B</p>  <p>∅15x12mm x12</p>	<p>D</p>  <p>6x40mm x4</p>	<p>E</p>  <p>M4 x1</p>	<p>I</p>  <p>∅30x20mm x4</p>	<p>J</p>  <p>M4x 20mm x4</p>
---	--	--	---	--

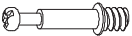
STEP 10



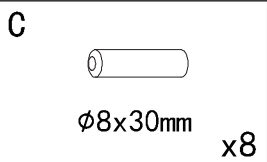
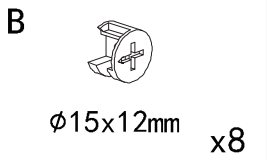
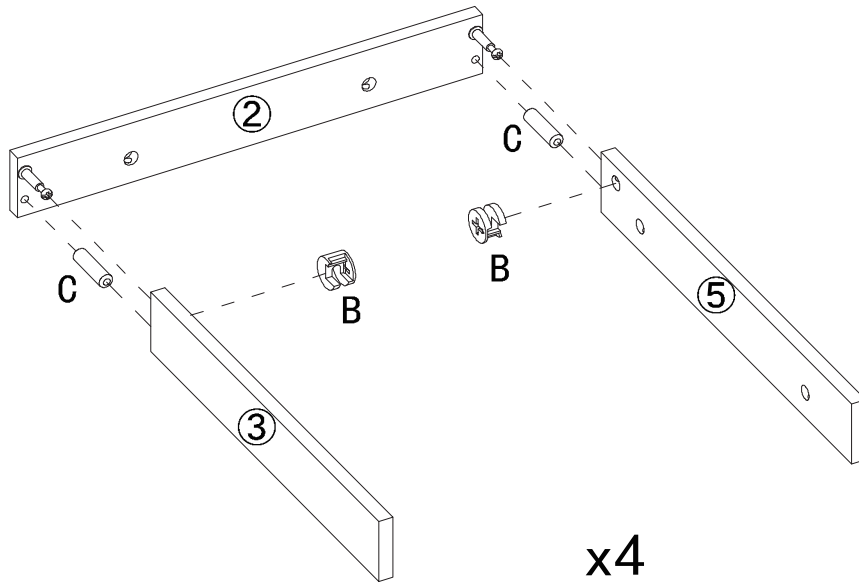
x4



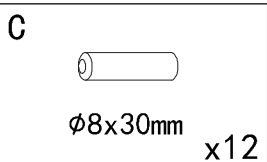
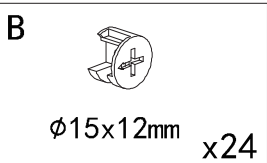
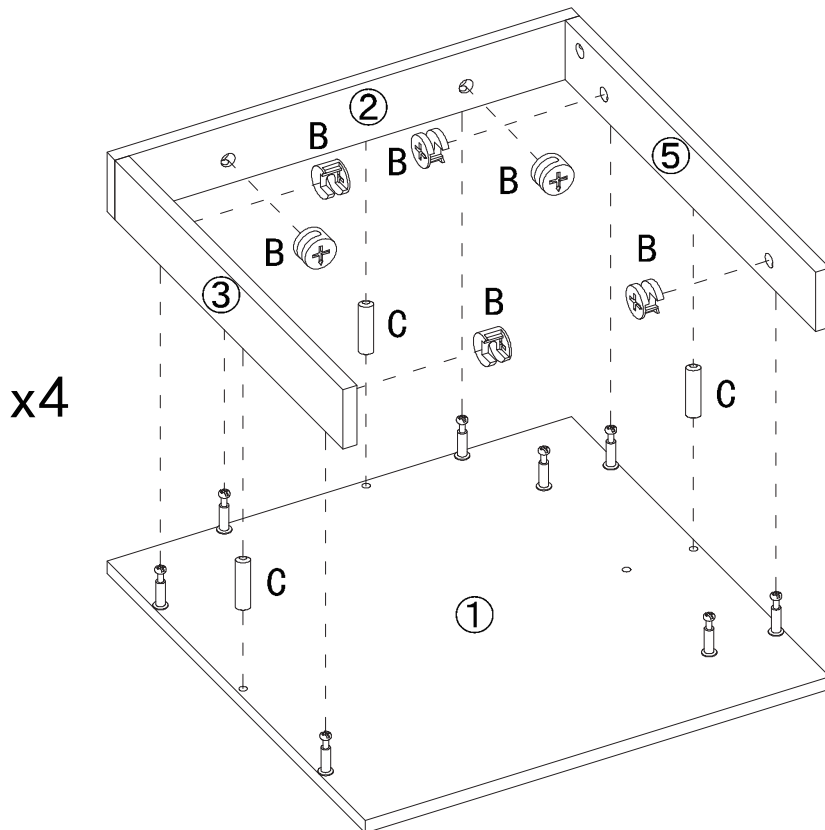
x4

<p>A</p>  <p>6x35mm x40</p>

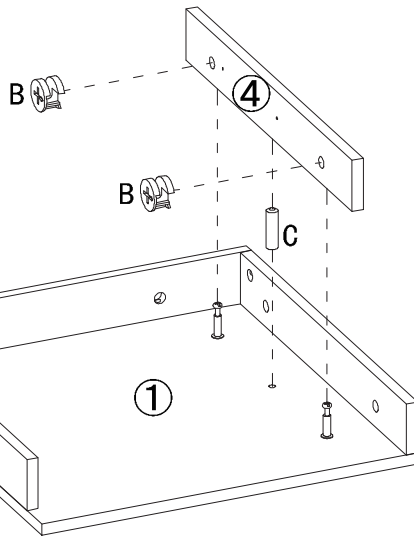
STEP 11





STEP 12

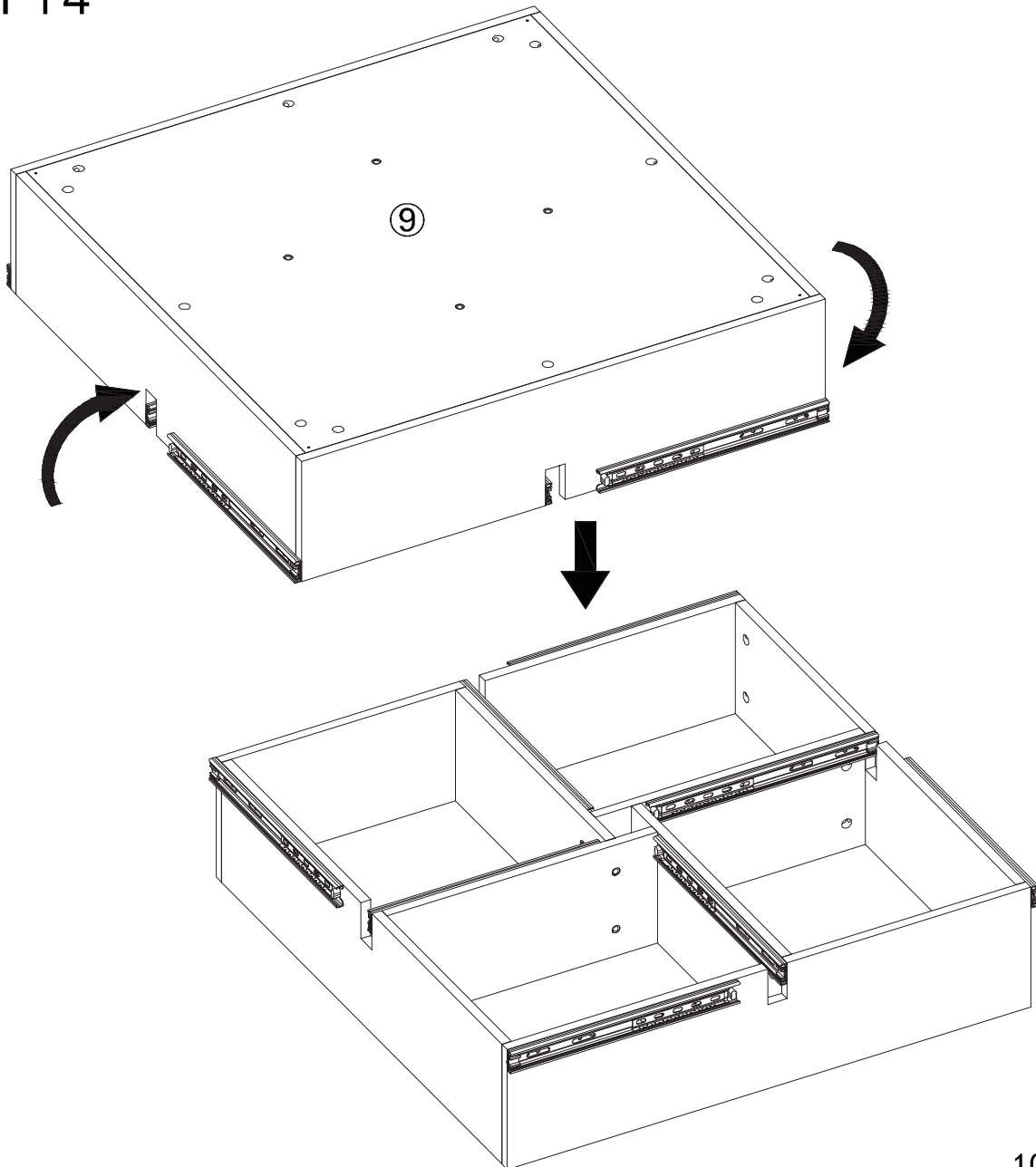


STEP 13

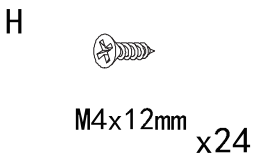
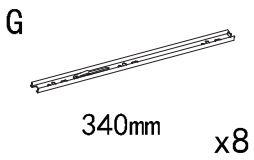
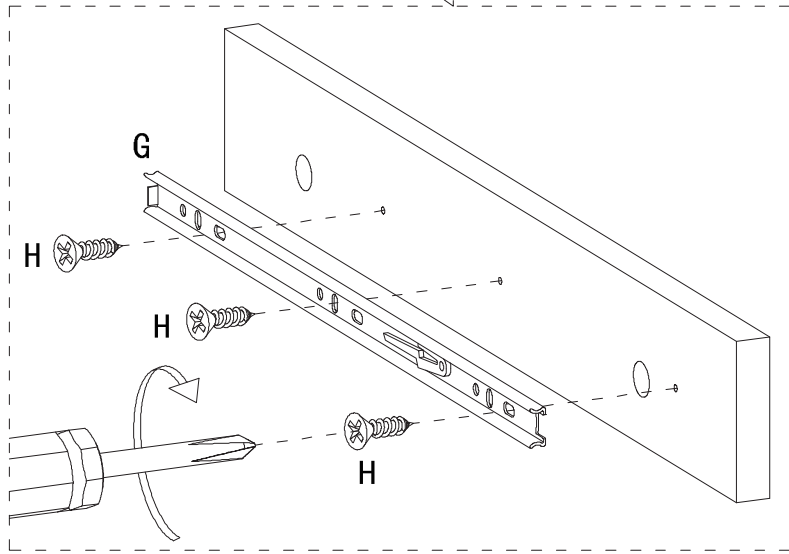
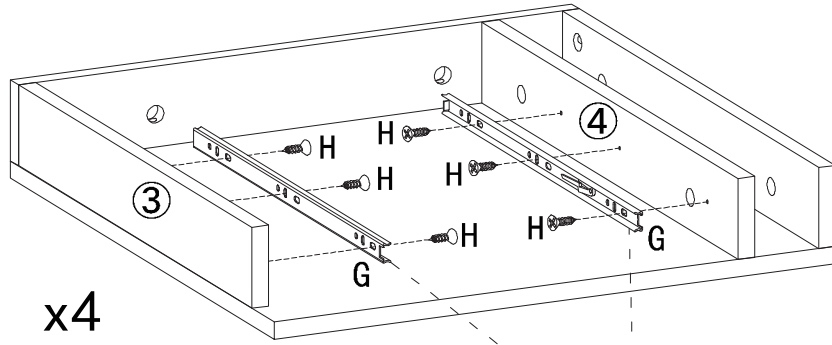


- B**

Ø15x12mm x8
- C**

Ø8x30mm x4

STEP 14



STEP 15



STEP 16

