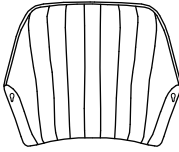
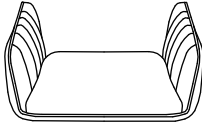

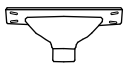

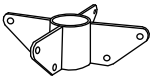







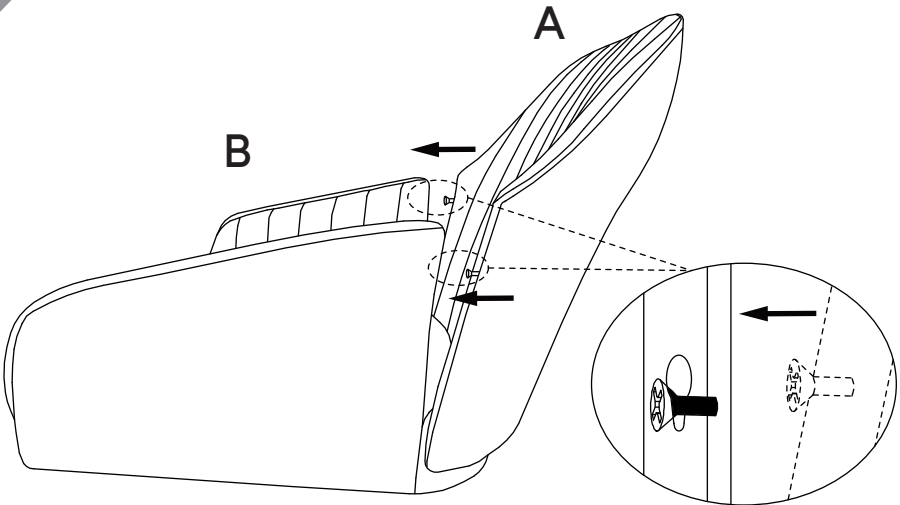


<p>A ×1</p> 	<p>B ×1</p> 	<p>C ×4</p> 	<p>D ×1</p> 		
<p>E ×1</p> 	<p>F ×1</p> 	<p>G ×2</p>  <p>M6×45mm</p>	<p>H ×2</p>  <p>22mm</p>	<p>I ×4</p>  <p>M6×20mm</p>	<p>J ×8</p>  <p>M6×25mm</p>
		<p>K ×8</p>  <p>M6×16mm</p>	<p>L ×2</p>  <p>M5</p>	<p>M ×1</p>  <p>M6</p>	

Notes:

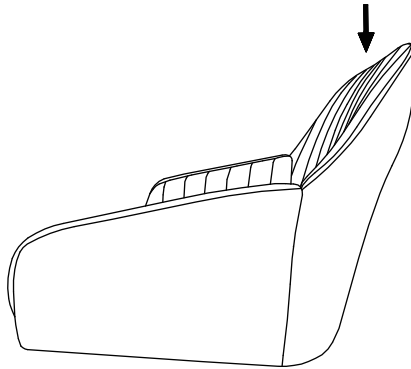
- Please read this instruction manual thoroughly before assembly.
- Remove all parts and accessories from carton to ensure everything is included before assembly.
- Assemble the item on carpet to prevent scratching the floor or the chair.
- Be careful to avoid cross threading of the screws.
- Do not use power tools.

1

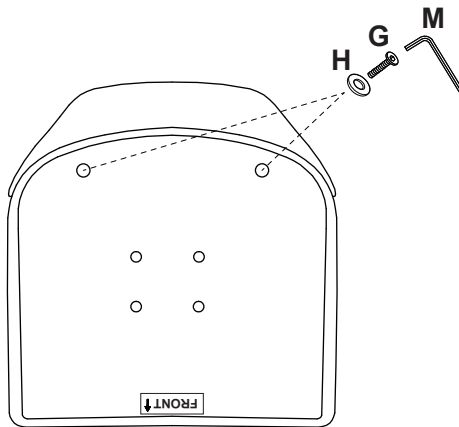


1. Insert the bolt attached on the backrest into the hole of armrest, then slide it downward to get the base fixed.
2. While connecting the bolt and hole, adjust the armrest left and right to avoid being out of shape or misalignment.

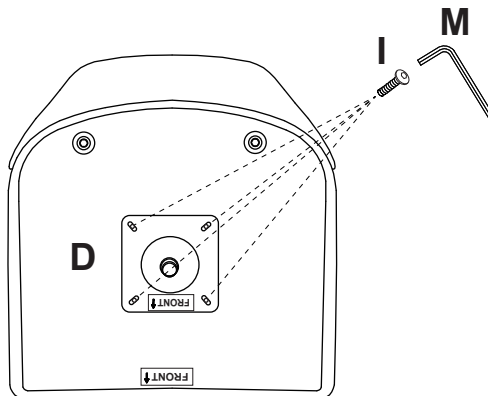
2



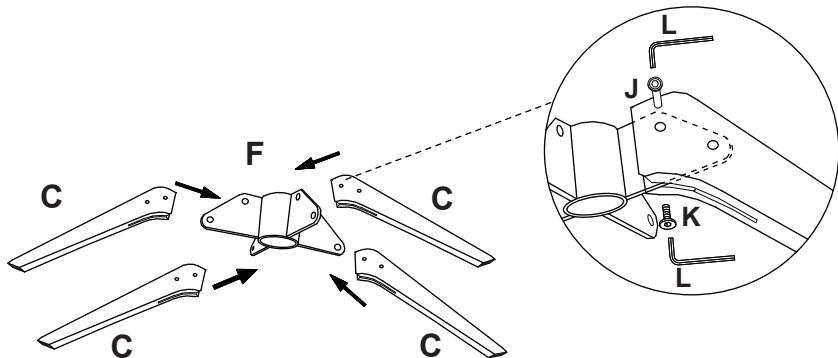
3



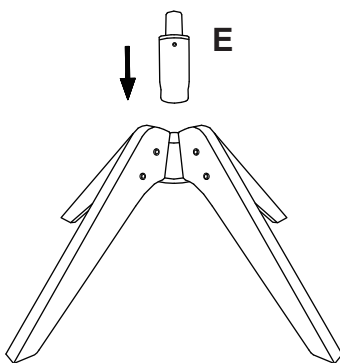
4



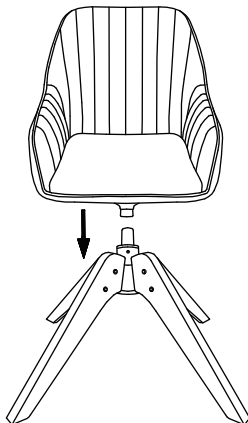
5



6



7



8

