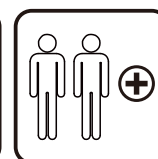
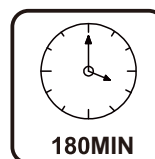
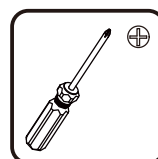
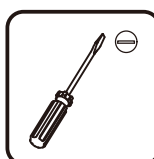
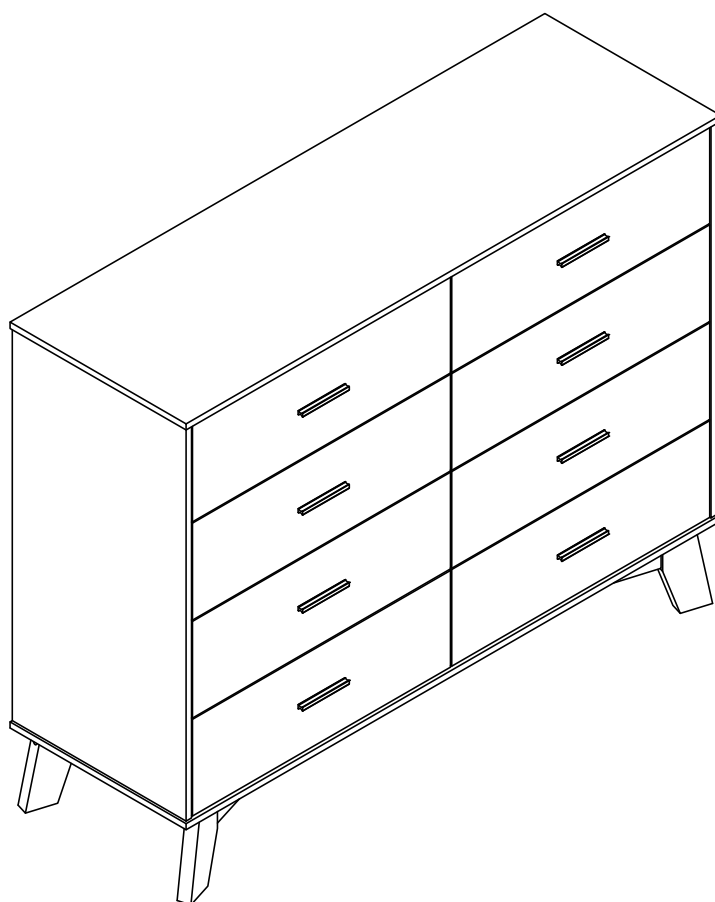


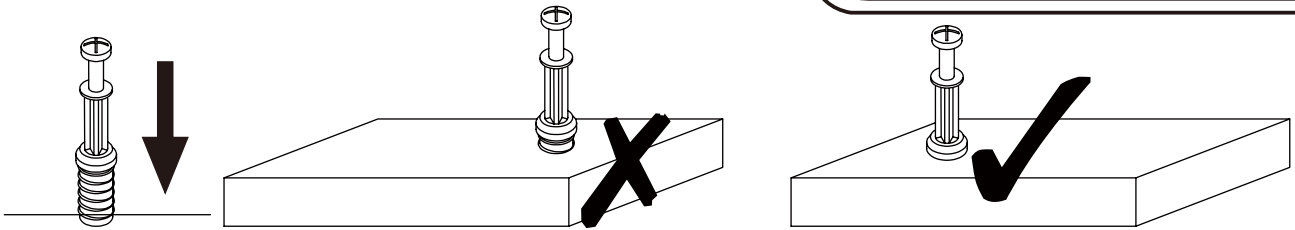
# Installation & Assembly

Version: 1.0

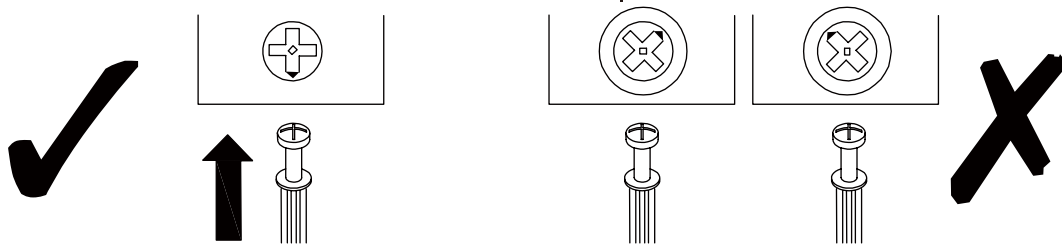


**EN\_IMPORTANT, RETAIN FOR FUTURE REFERENCE: READ CAREFULLY.**

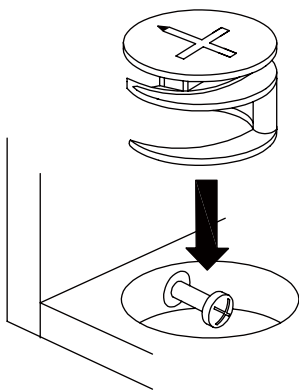
## USING CAM LOCK AND QUICKFIT



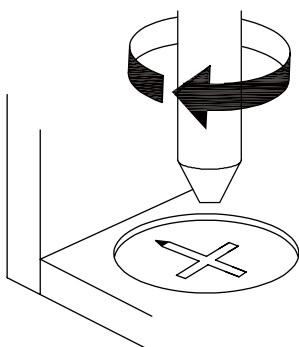
**EN\_QUICKFIT:** Tighten quickfit until shoulder is flush with panel. Do not overtighten or undertighten.



**EN\_CAM LOCK:** When fitting cam lock, ensure starting position is correct before you insert connecting quickfit.

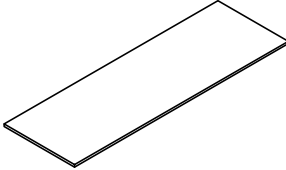
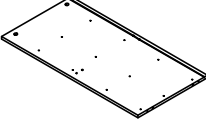
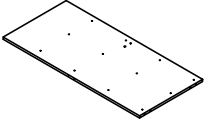
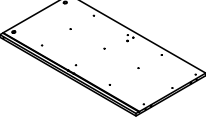
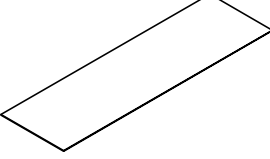
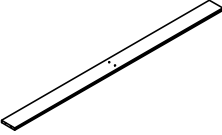
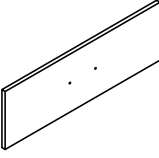
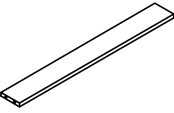
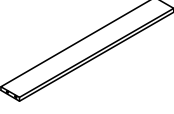
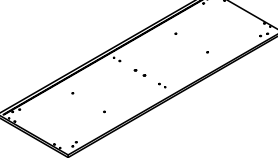




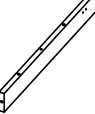
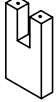
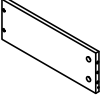
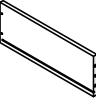
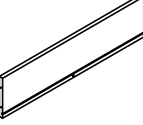
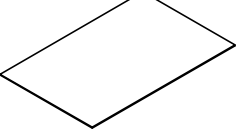
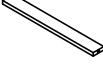
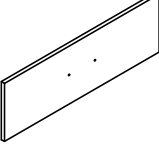
**EN\_Quickfit** head should be in the centre of the cam lock when the two panels are joined.  
Cam lock should be inserted before quickfit.



**EN\_Turn** cam lock clockwise to tighten.

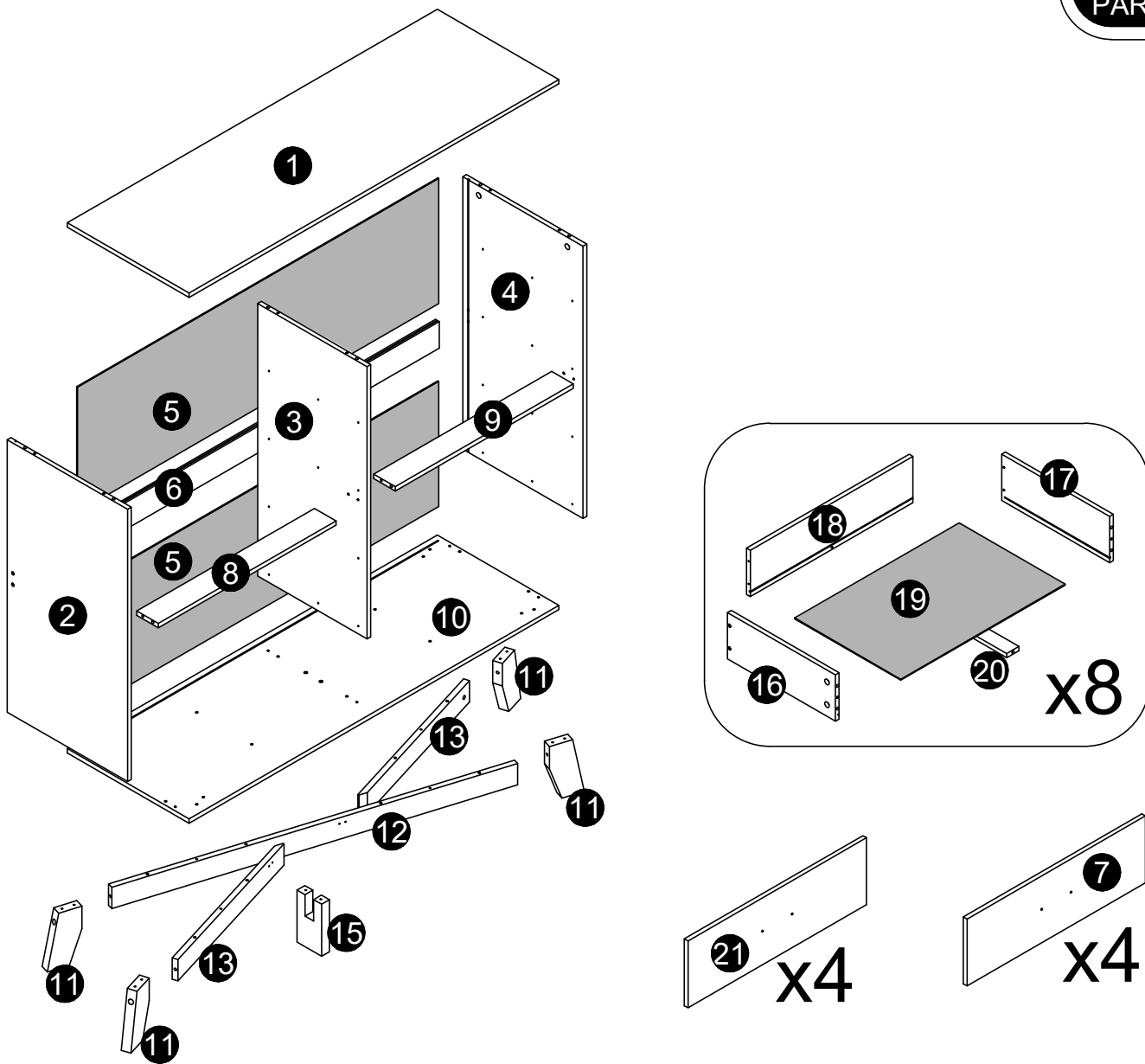
**PACKING DELALS**

NO.	PARTS	QTY	SPARE
①		x1	
②		x1	
③		x1	
④		x1	
⑤		x2	
⑥		x1	
⑦		x4	
⑧		x1	
⑨		x1	
⑩		x1	

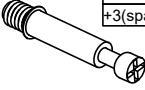

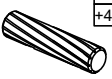
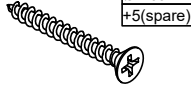

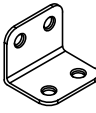
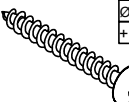
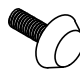
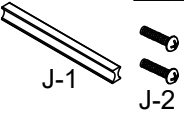
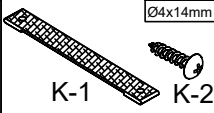
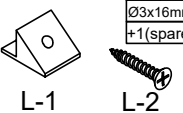
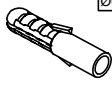


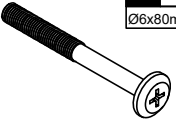
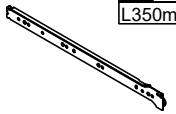
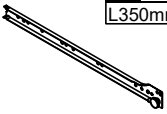
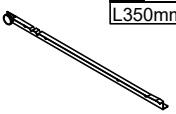
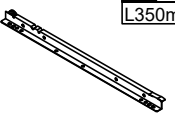
NO.	PARTS	QTY	SPARE
⑪		x4	
⑫		x1	
⑬		x2	
⑮		x1	
⑯		x8	
⑰		x8	
⑱		x8	
⑲		x8	
⑳		x8	
㉑		x4	

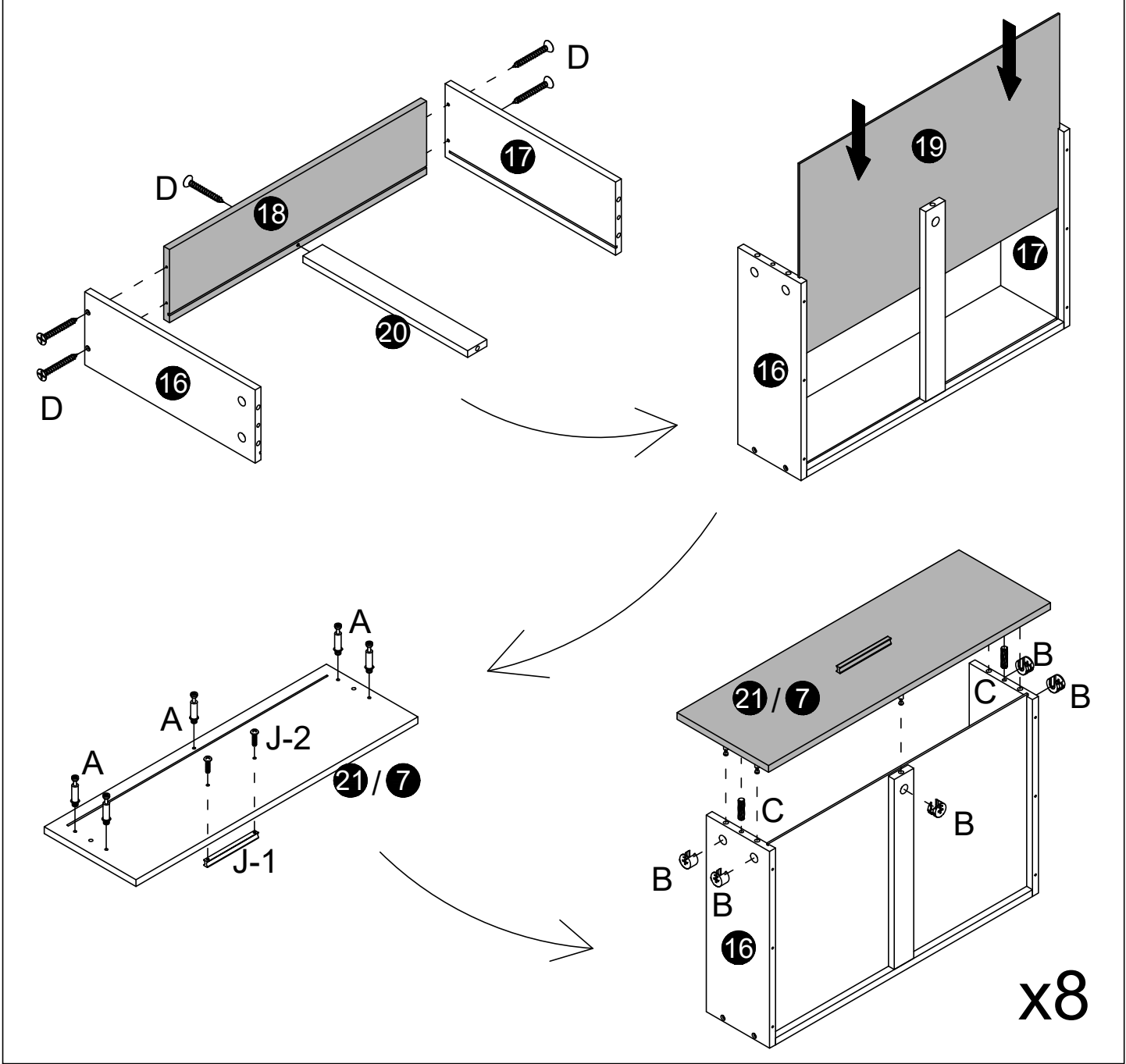
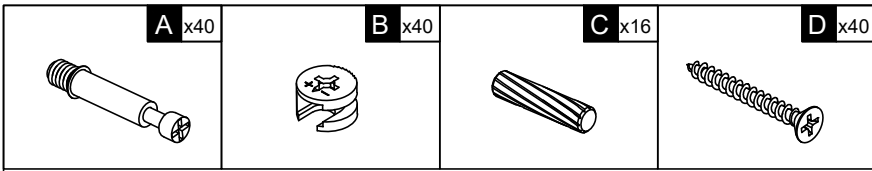


**PARTS**

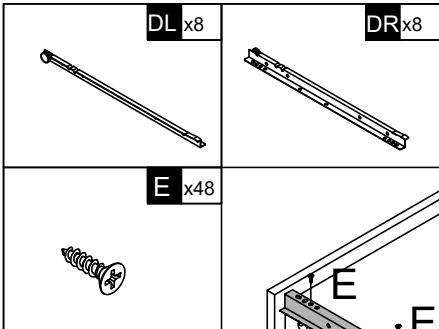


**HARDWARE**

 <p><b>A</b> x49 Ø6x35mm +3(spare)</p>	 <p><b>B</b> x49 Ø15x10mm +3(spare)</p>	 <p><b>C</b> x40 Ø6x30mm +4(spare)</p>	 <p><b>D</b> x55 Ø4x35mm +5(spare)</p>	 <p><b>E</b> x112 Ø3.5x12mm +8(spare)</p>	 <p><b>F</b> x4</p>
 <p><b>H</b> x14 Ø5x35mm +1(spare)</p>	 <p><b>I</b> x1</p>	 <p><b>J</b> x8 J-1 J-2</p>	 <p><b>K</b> x2 Ø4x14mm K-1 K-2</p>	 <p><b>L</b> x10 Ø3x16mm +1(spare) L-1 L-2</p>	 <p><b>M</b> x2 Ø6x30mm</p>
 <p><b>N</b> x8 +2(spare)</p>	 <p><b>O</b> x4 Ø10x10mm</p>	 <p><b>P</b> x4 Ø6x80mm</p>			
 <p><b>CL</b> x8 L350mm</p>	 <p><b>CR</b> x8 L350mm</p>	 <p><b>DL</b> x8 L350mm</p>	 <p><b>DR</b> x8 L350mm</p>		



x8

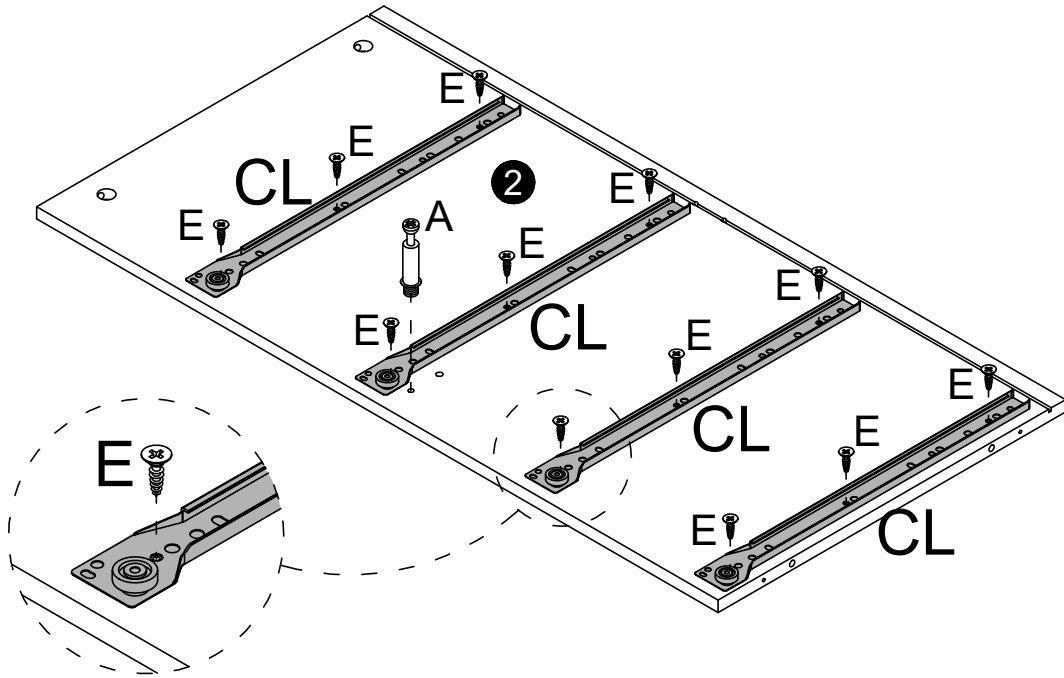
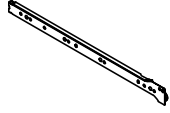
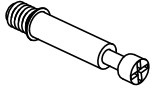


x8

A x1

E x12

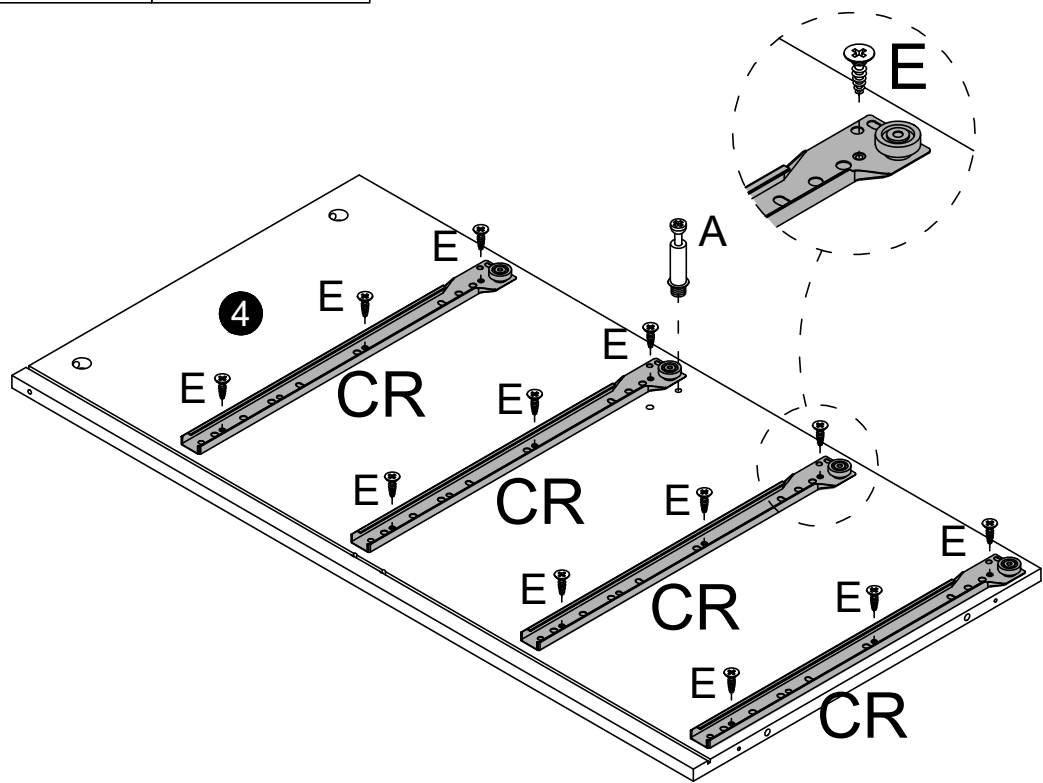
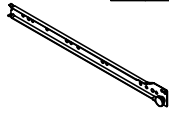
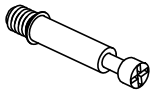
CL x4



A x1

E x12

CR x4

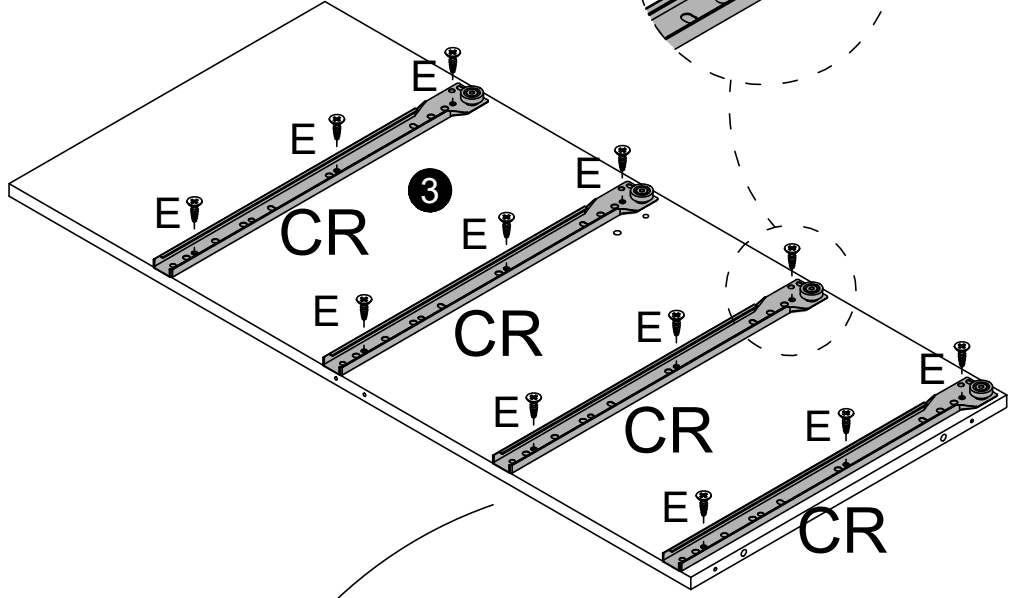
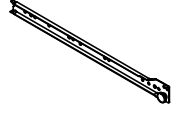
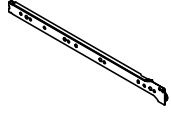
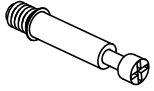


A x1

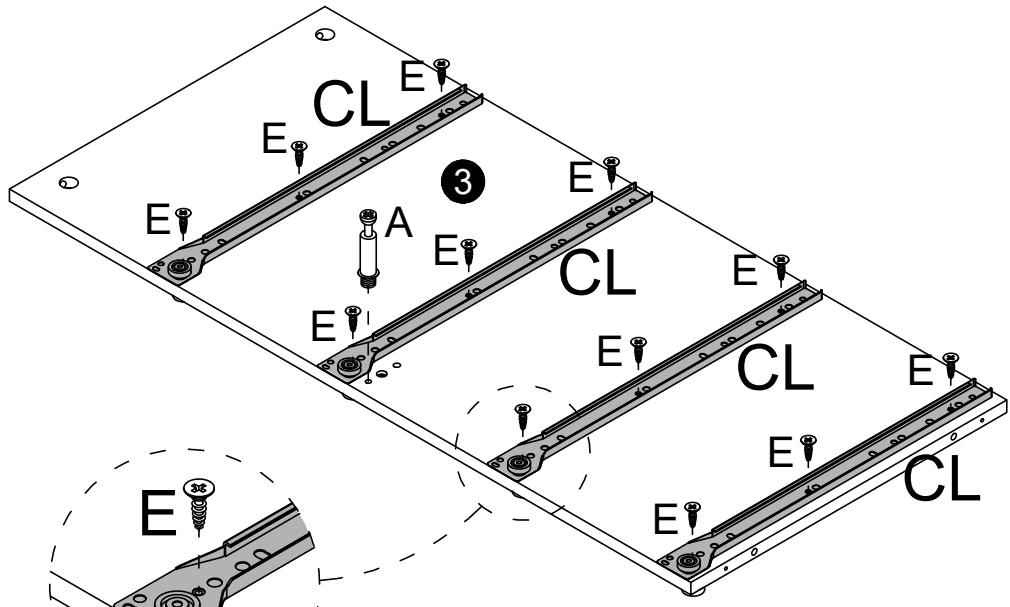
E x24

CL x4

CR x4

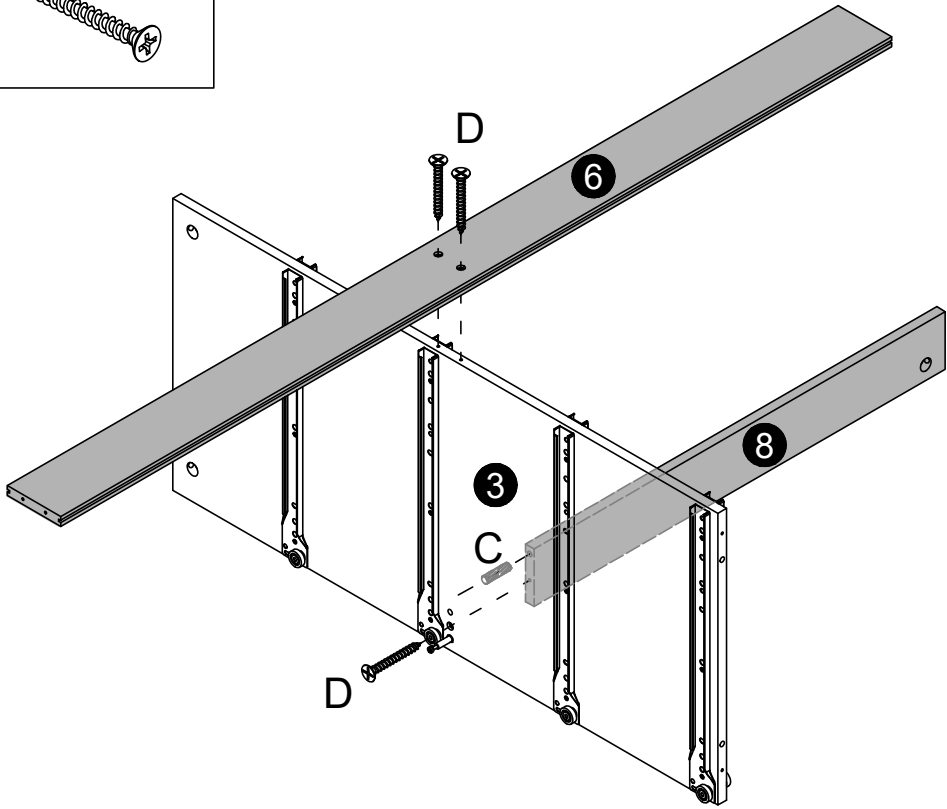
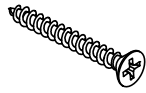


180°



C x1

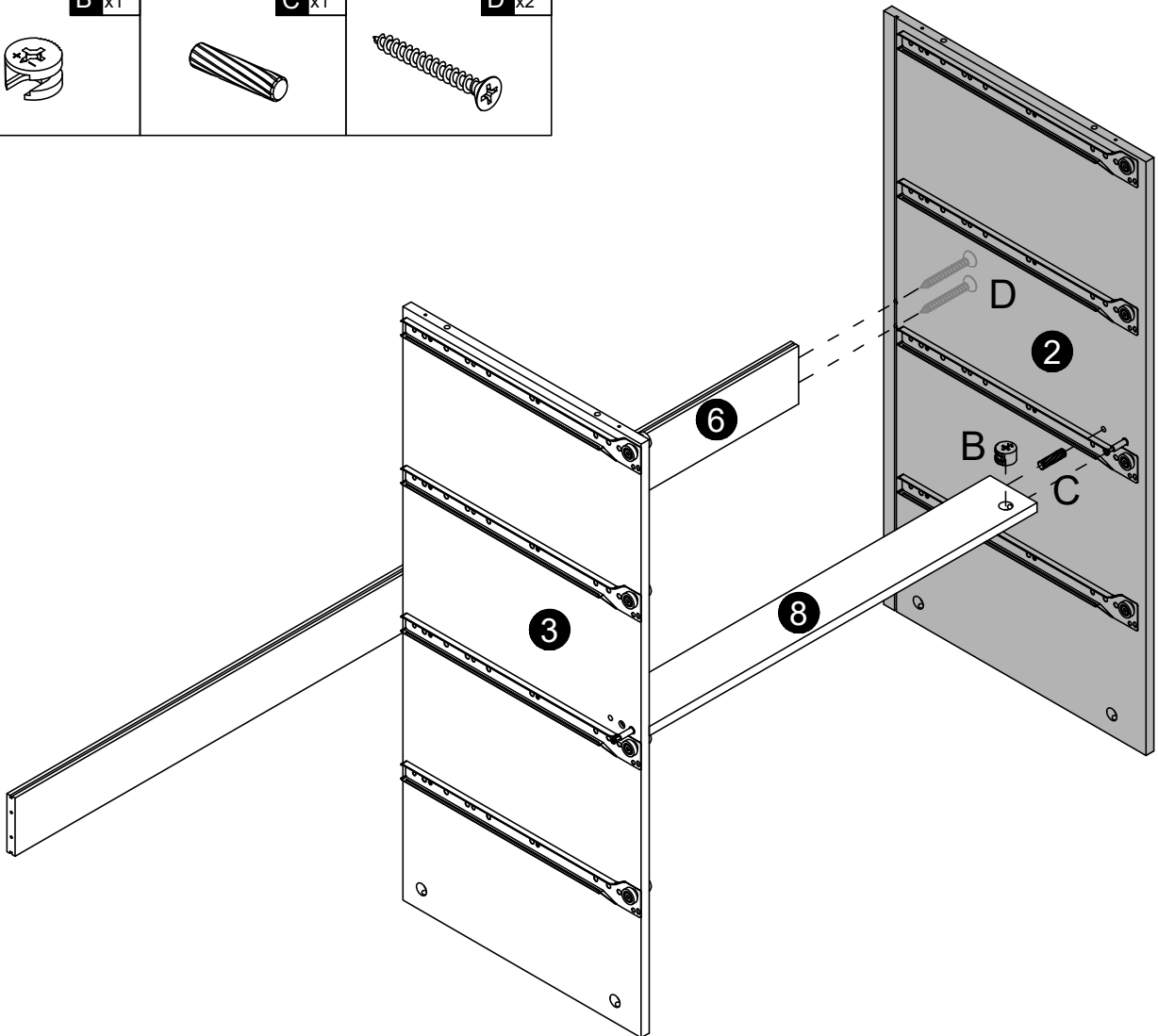
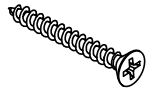
D x3



B x1

C x1

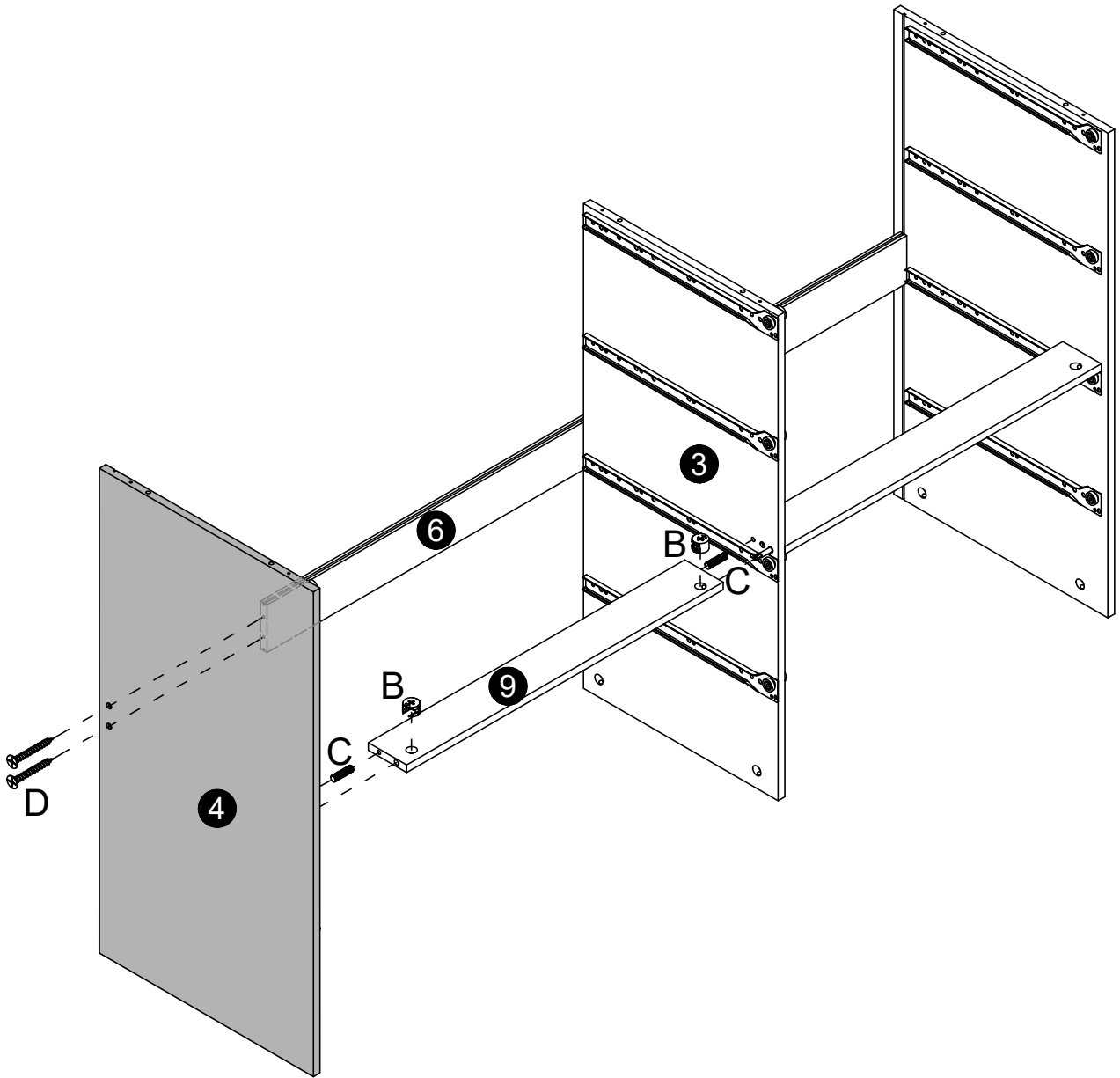
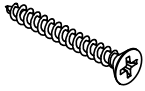
D x2



B x2

C x2

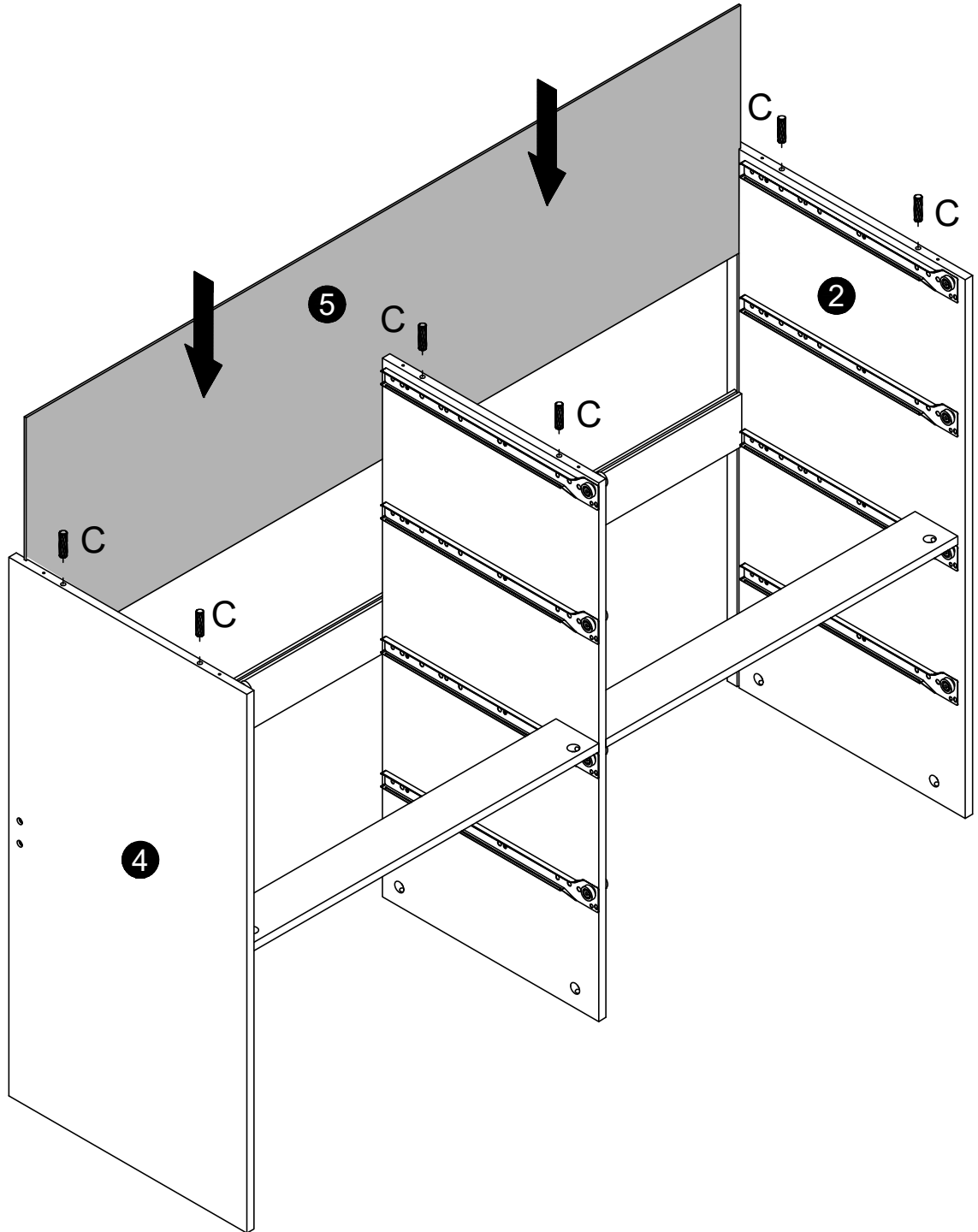
D x2



C x6



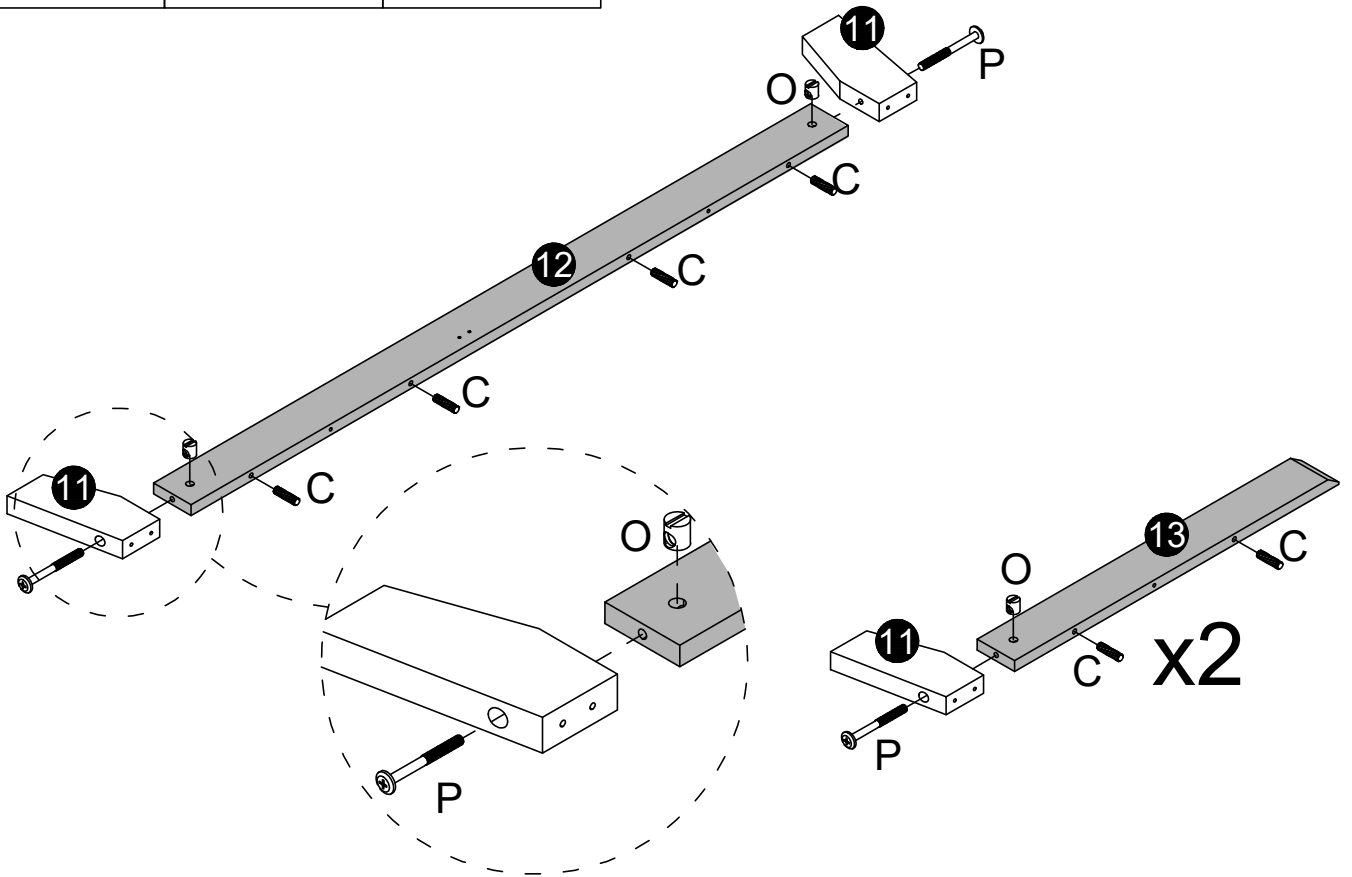
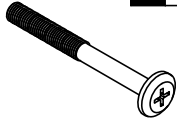
09



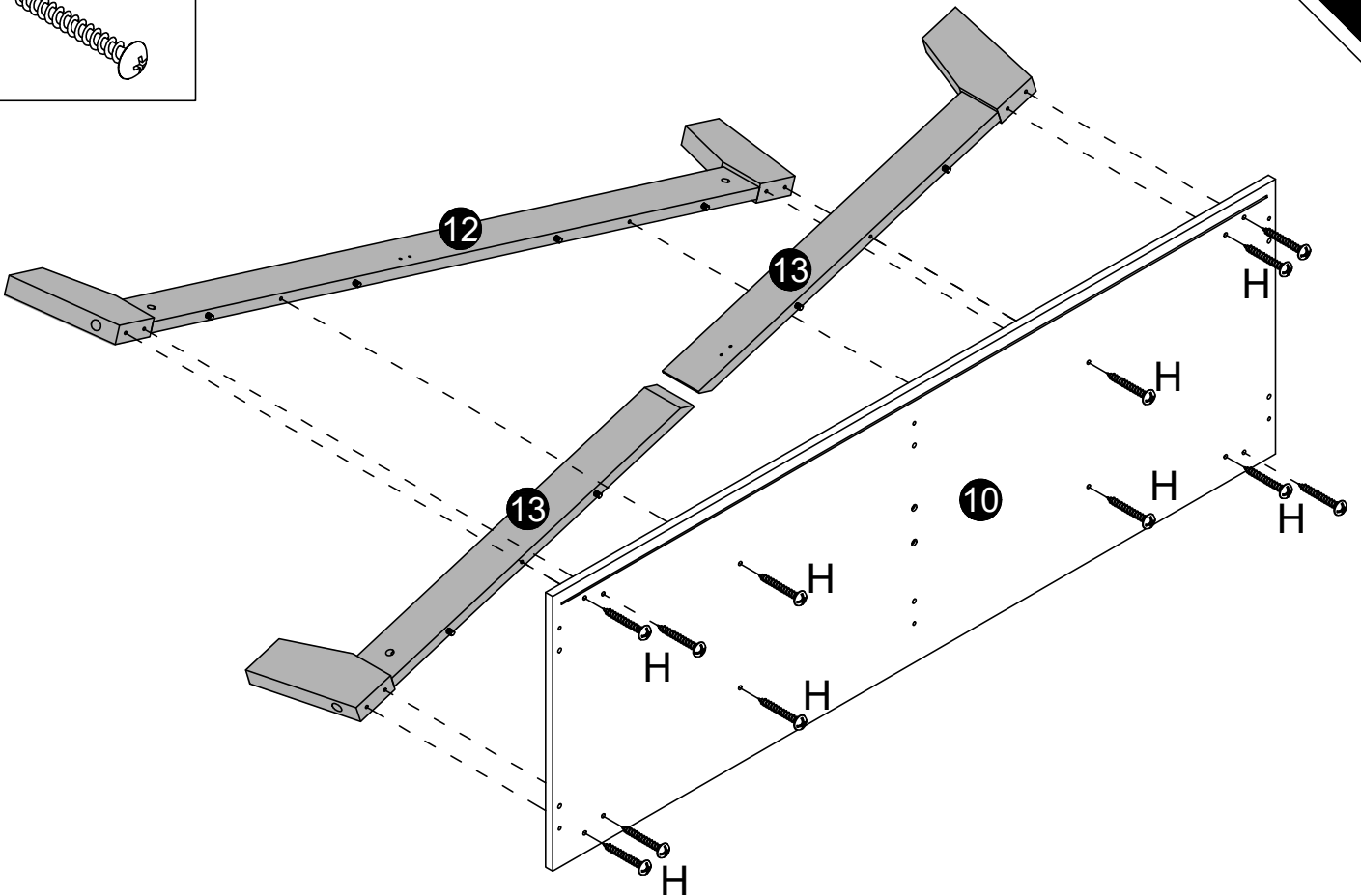
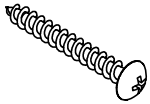
C x8

O x4

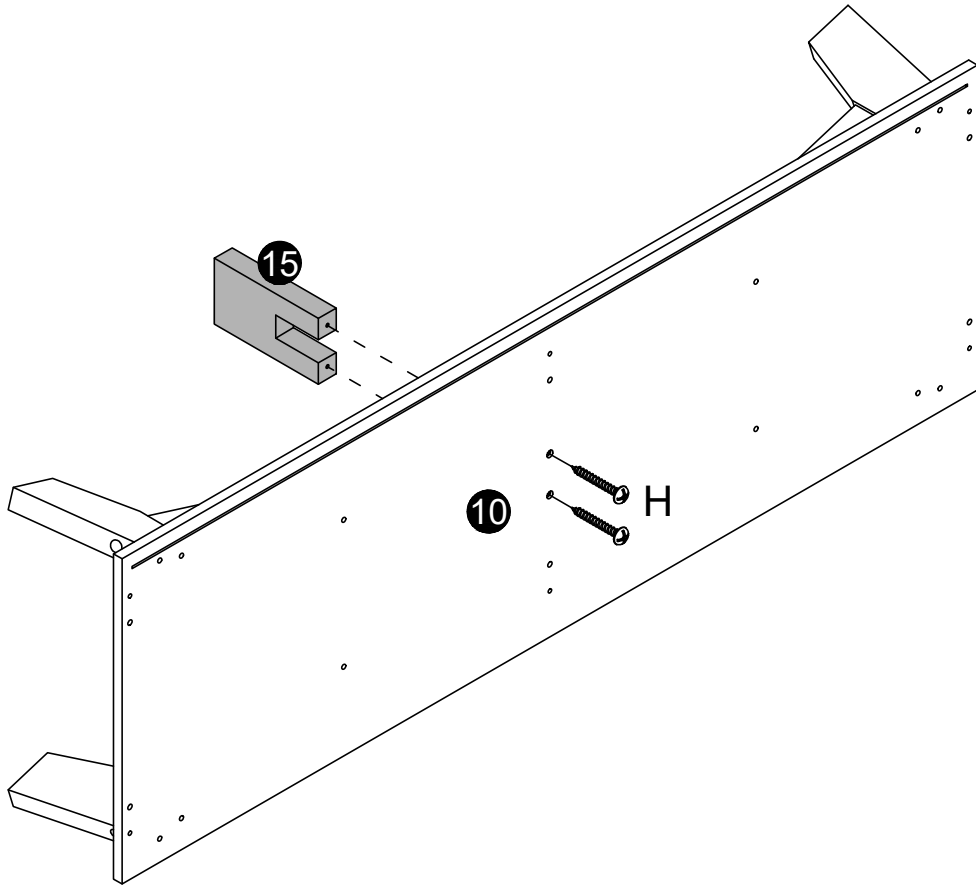
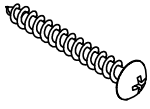
P x4



H x12



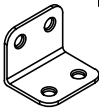
H x2



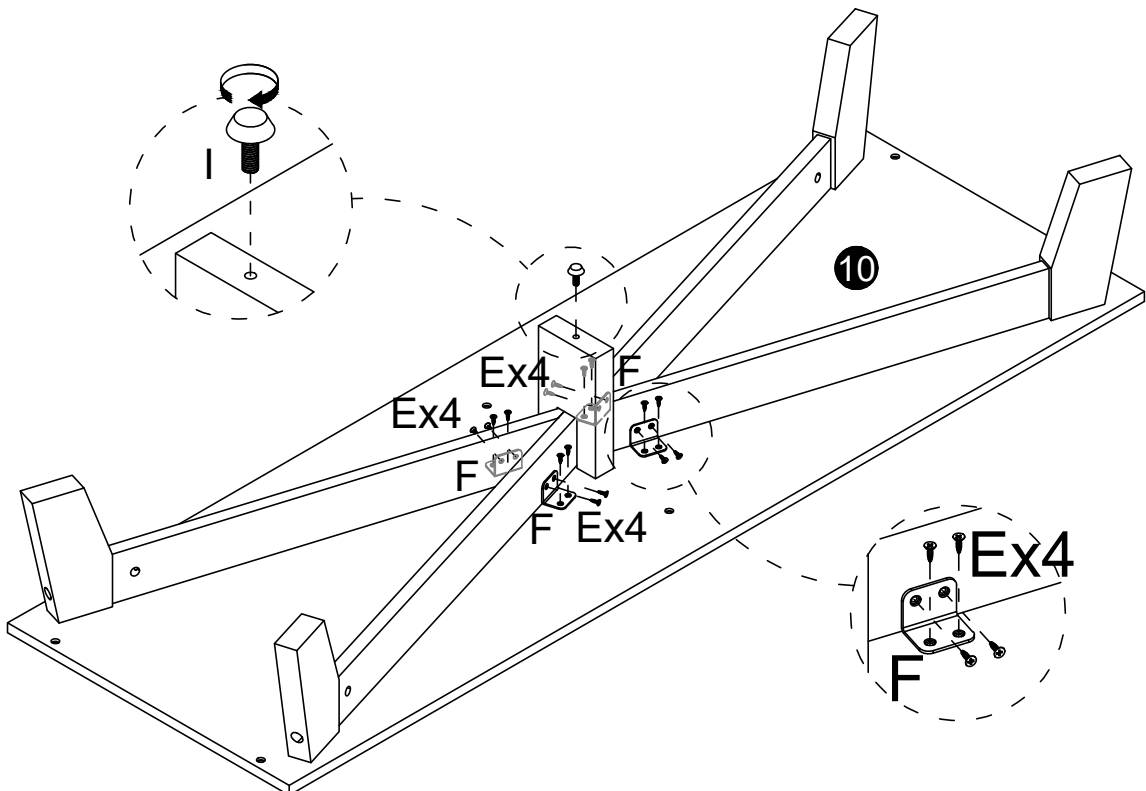
E x16

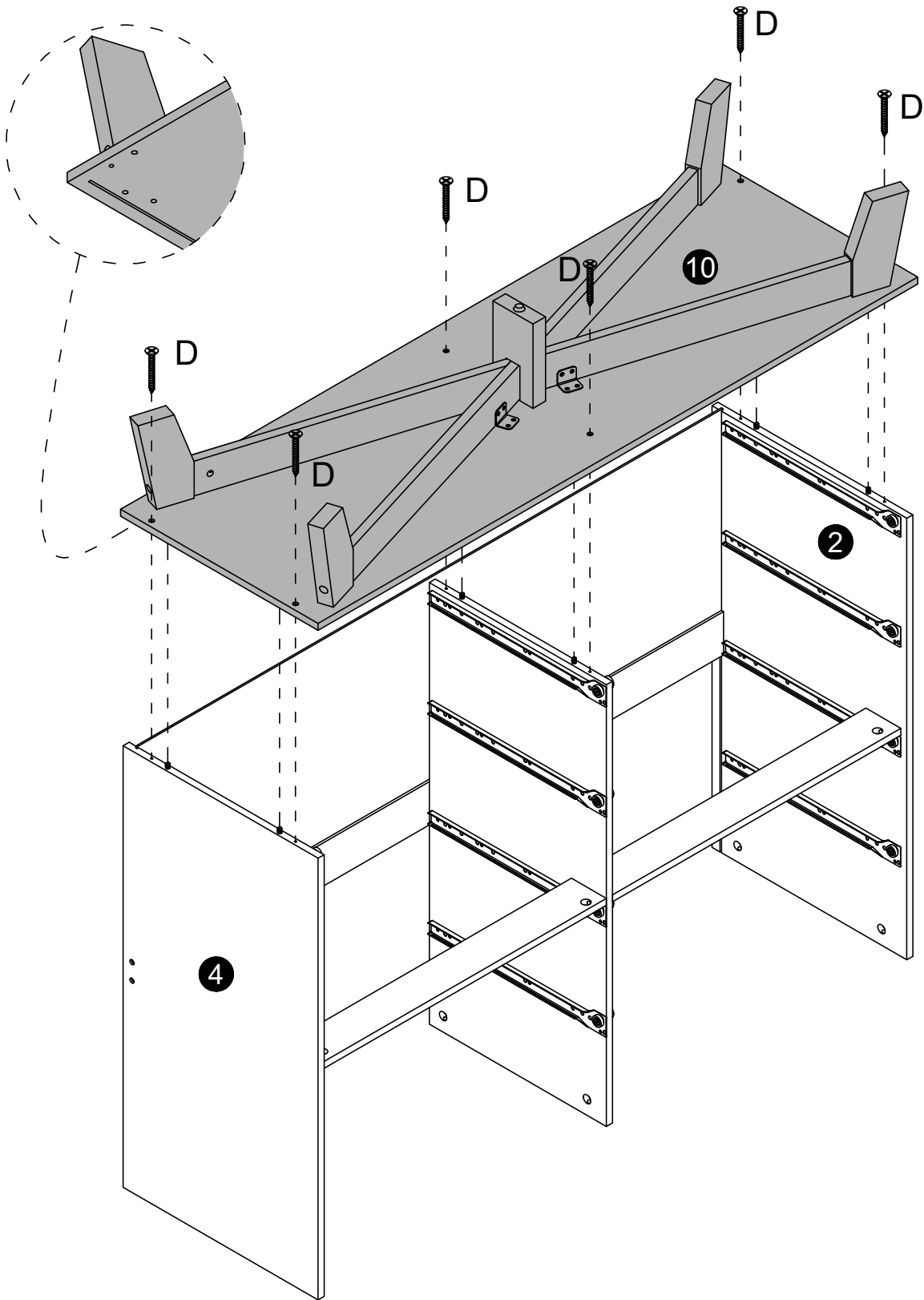
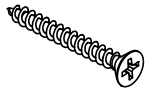


F x4



I x1

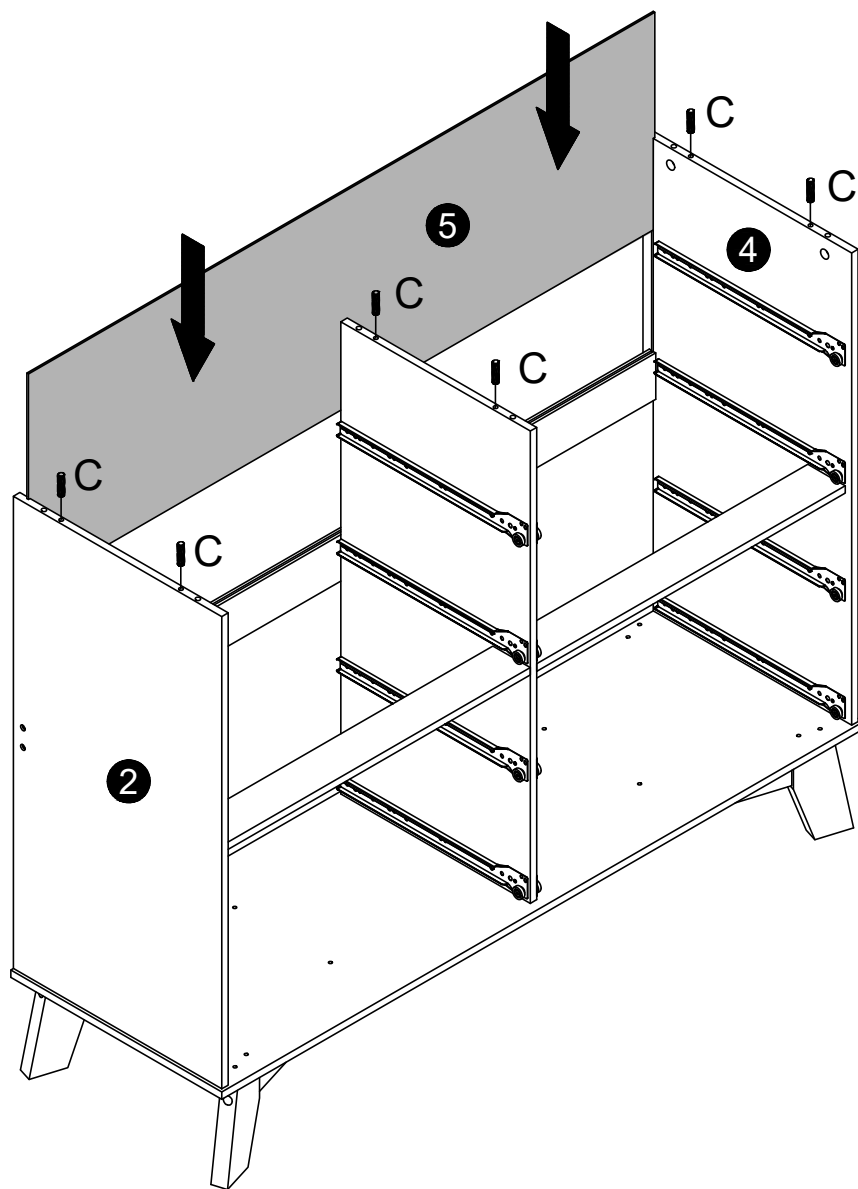




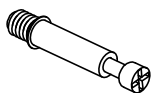
C x6



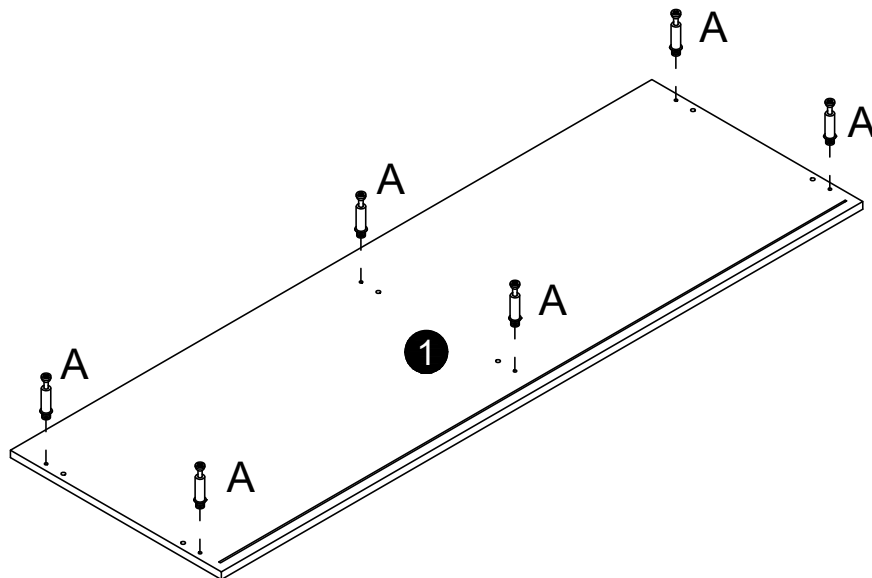
15

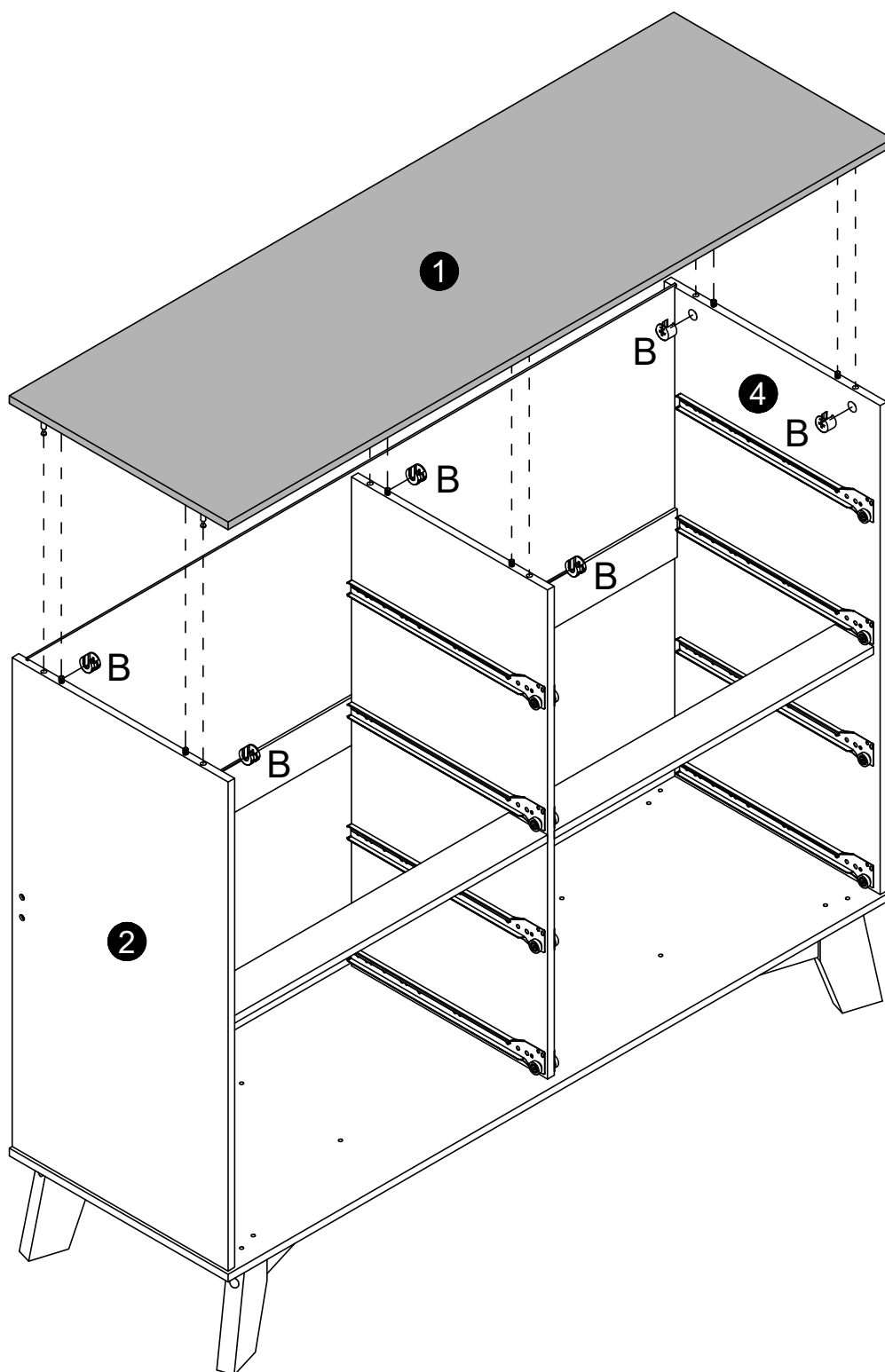


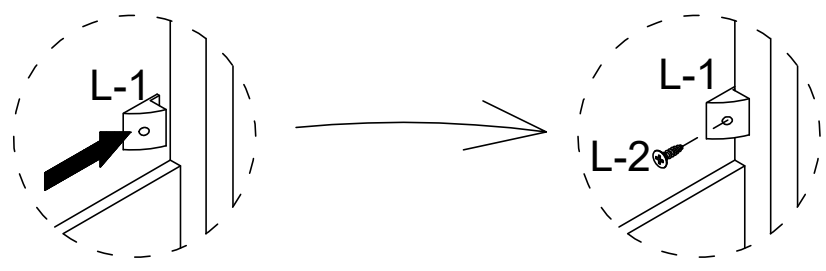
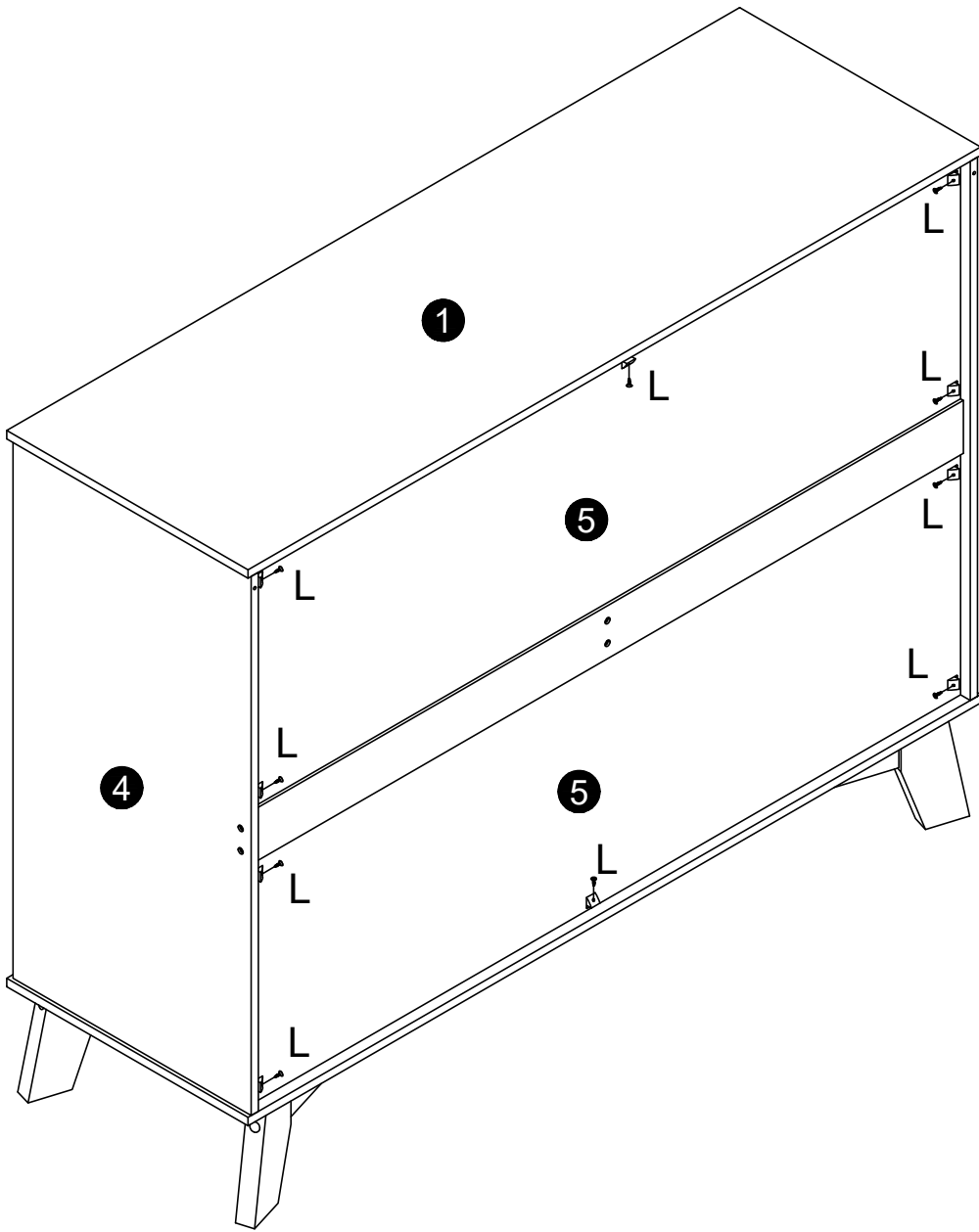
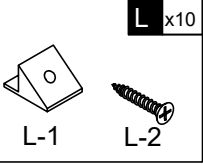
A x6

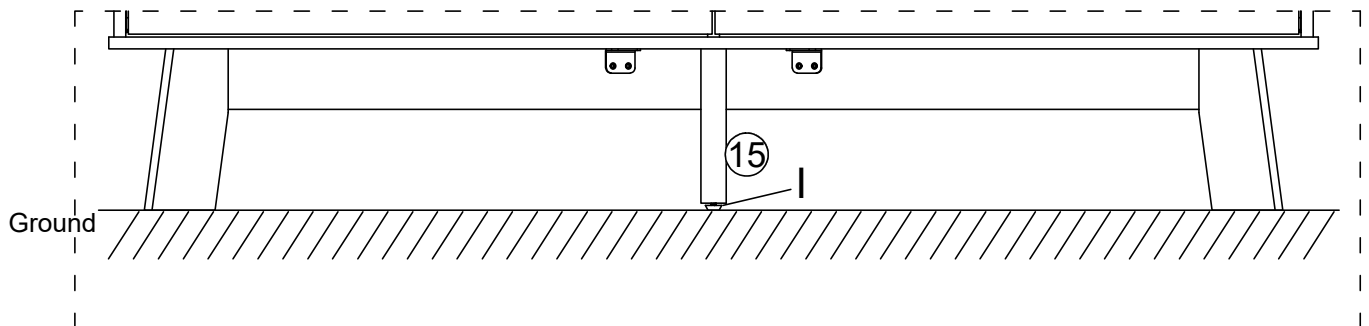
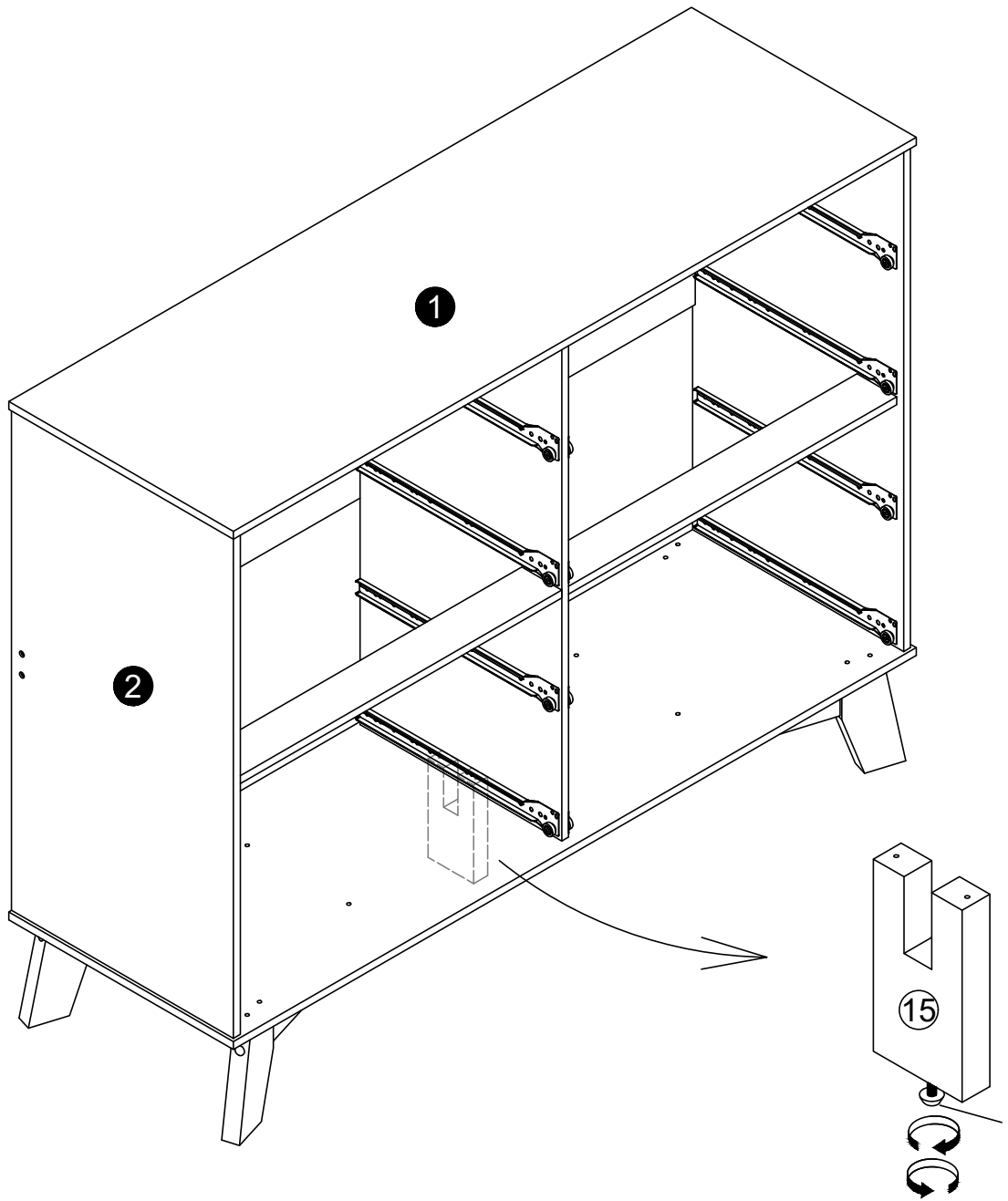


16

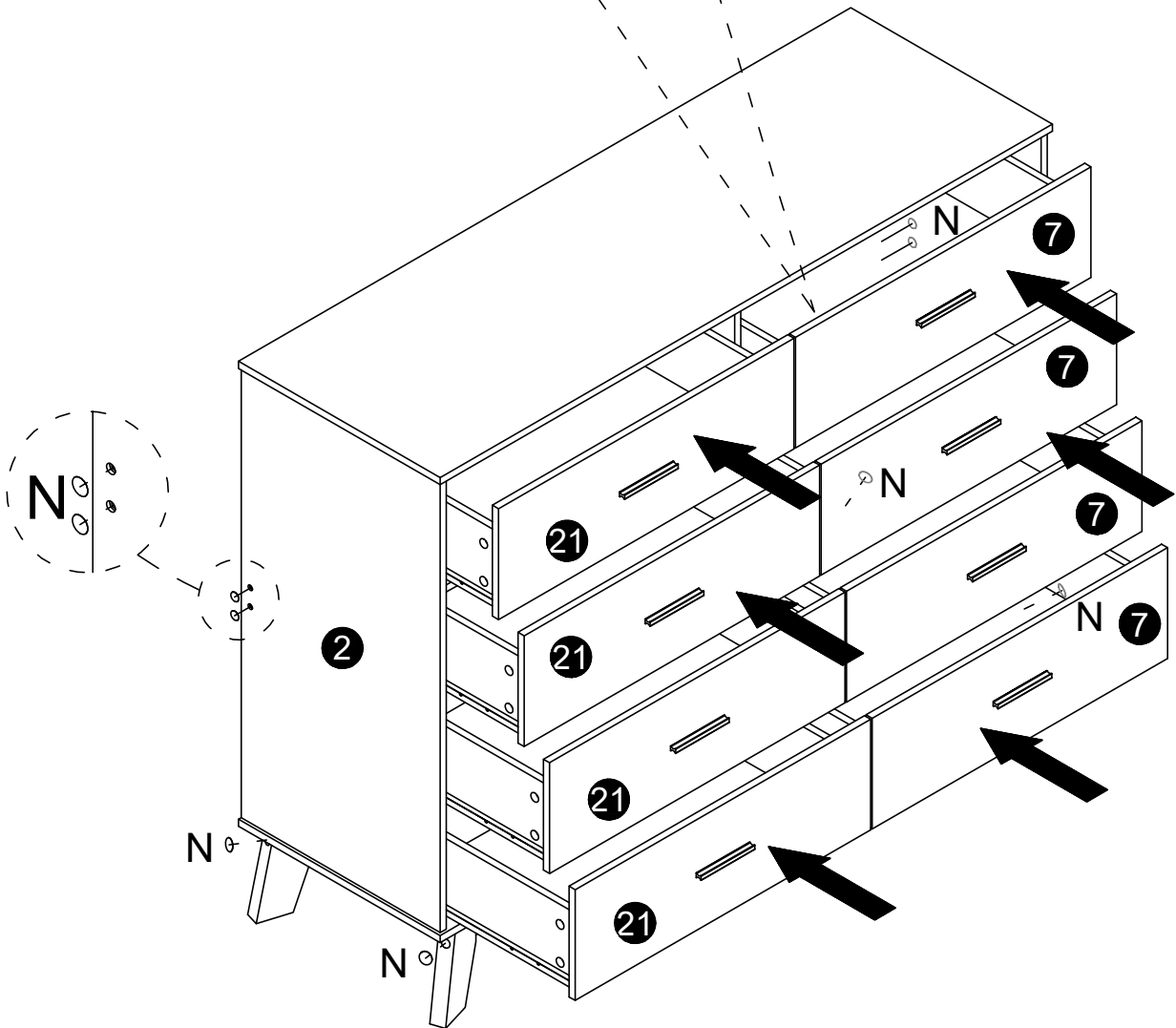
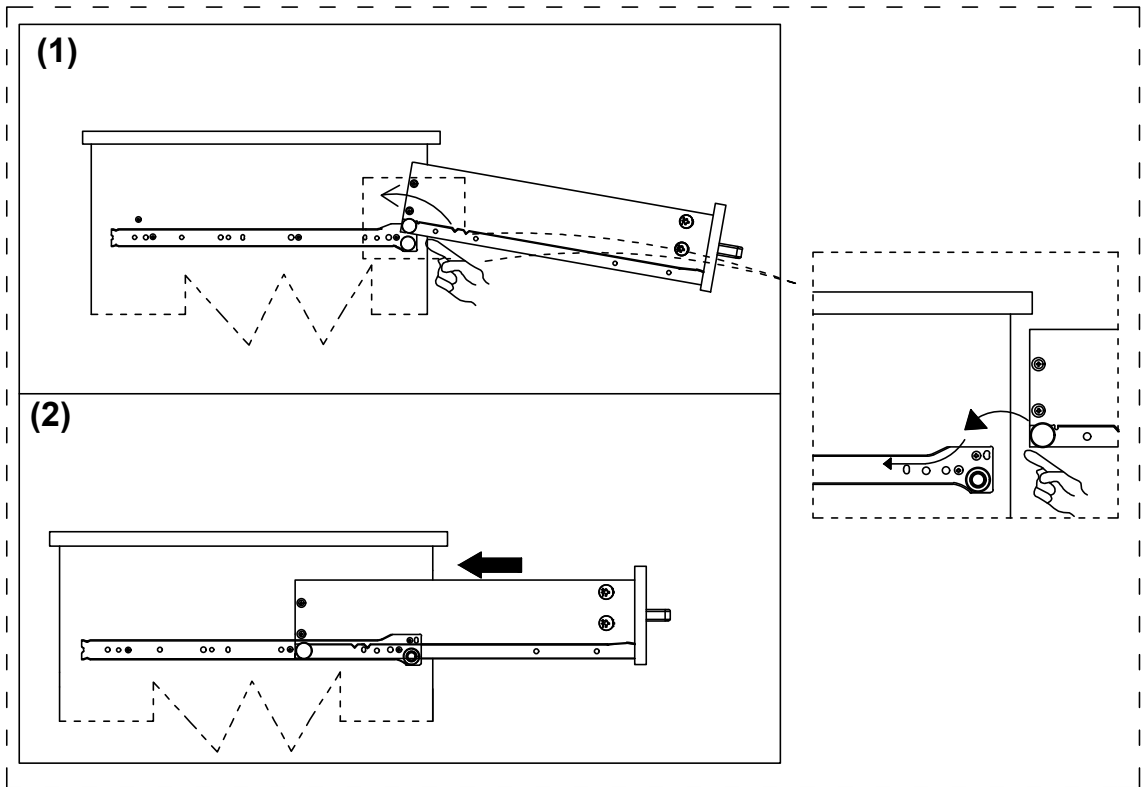




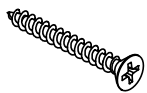




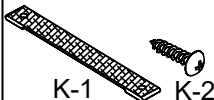
If the cabinet is unstable with the ground, please rotation control the foot fitting (I)



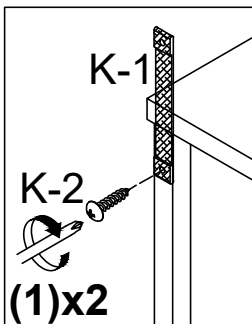
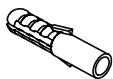
D x2



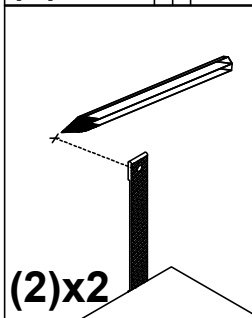
K x2



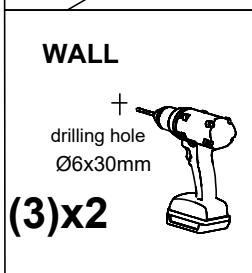
M x2



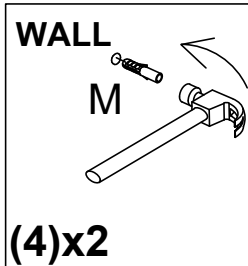
First fix the anti-rewind screw in the reserved hole of the product.



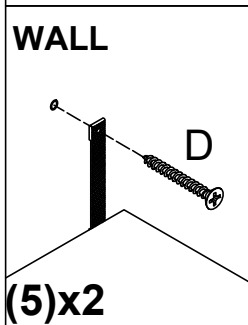
then, use a ruler to measure the approximate height of the product on the wall, and then mark it with a pen.



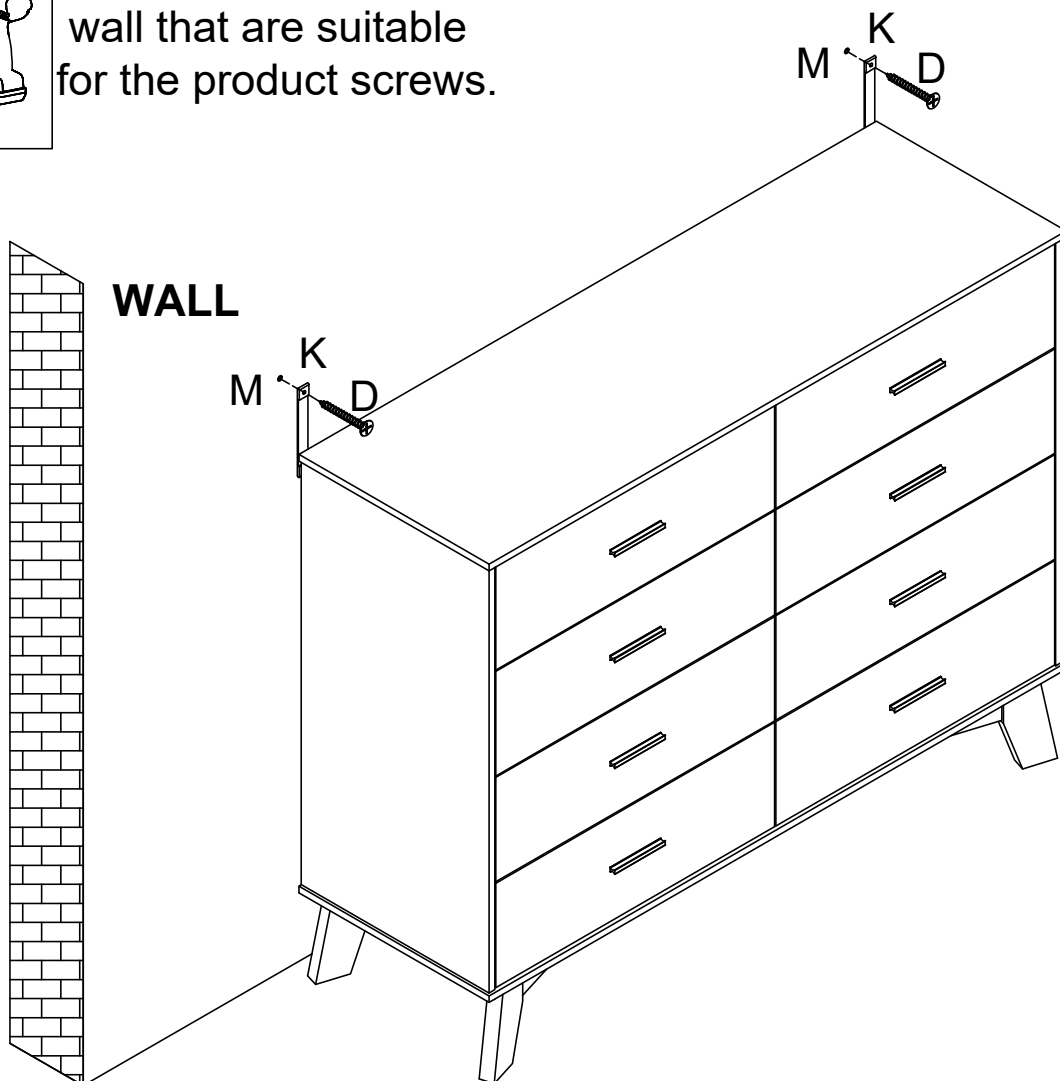
Then use a tape drill to make holes in the wall that are suitable for the product screws.

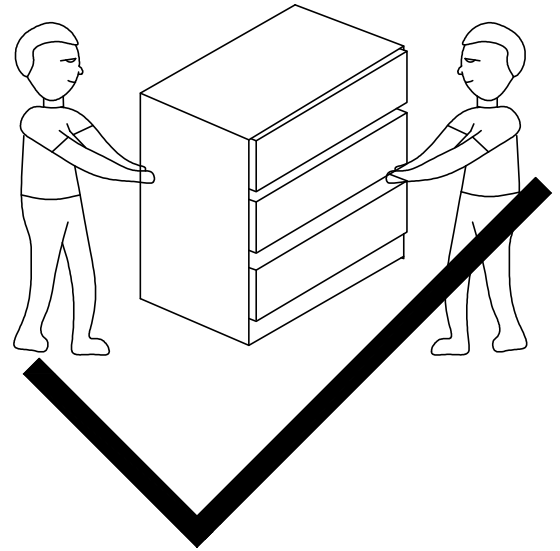


Then, put the expansion bolt into the hole



Finally, pass the matching screws through the "anti-rewind" and tighten them to fix them on the wall.





## **WARNING**

Do not push the furniture violently during the moving process, otherwise there will be a risk of tipping and damage, which is unsafe behavior. Moving furniture after assembly requires two or more people to lift it.