

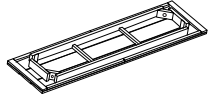
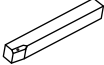


CARE AND MAINTENANCE

Store outdoor furniture indoors or cover well when it is not in use. Dust regularly with small brush or vacuum. Spills should be taken care of immediately before they harden or stain with a slightly dampened sponge.

NOTICE

Please make sure that you have all parts indicated before you begin assembly of this item.

Part List and Hardware List

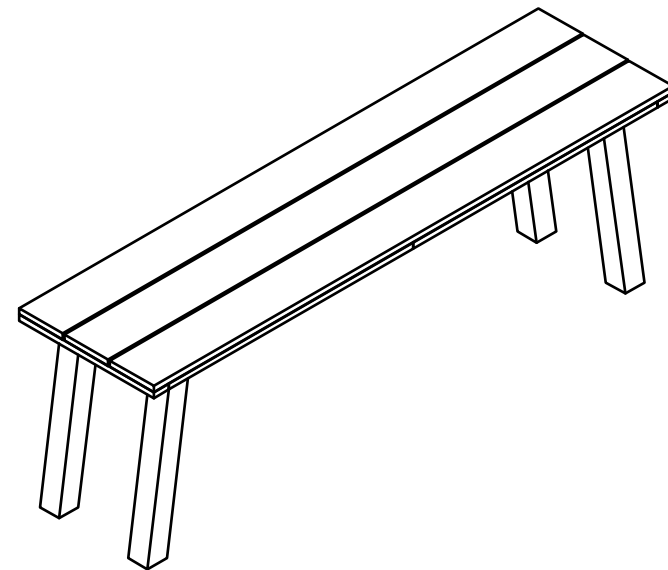
PIECE	DESCRIPTION	PICTURE	QUANTITY
A	Seat		1x
B	Leg		4x
C1	Allen bolt	 M8x50	4x
C2	Allen key		1x

Product Dimension: 53.15"W x 13.78"D x 17.72"H

Weight capacity : 600 lbs.

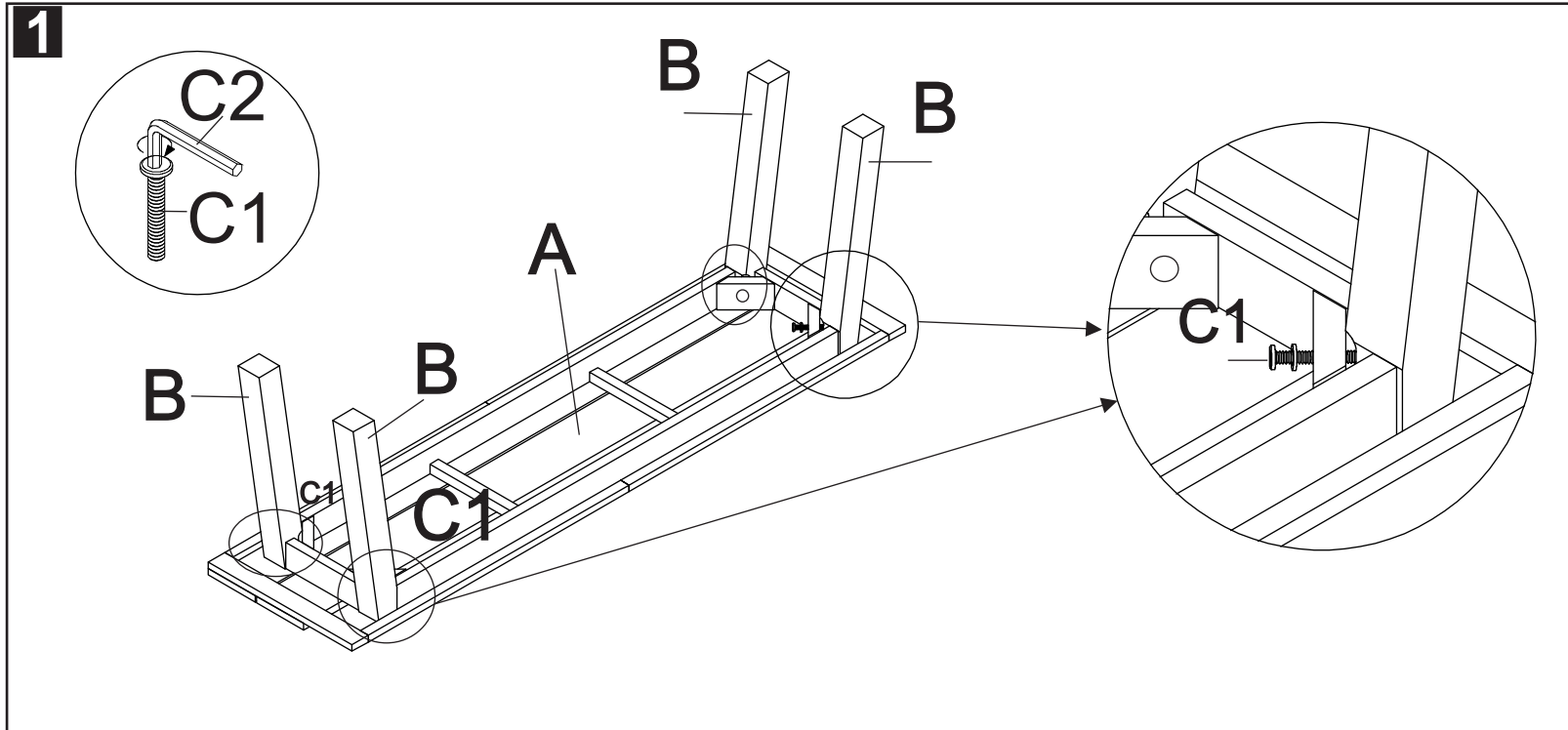
Warning : Do not stand on the bench

Warning : Do not torque bolts / screws



PREPARATION

Before beginning the assembly of the product, make sure all parts are present. Compare the parts with the package contents list and hardware contents list. If any parts are missing or damaged, do not attempt to assemble the product. Tool required for assembly (included): Allen Key.



Step 1: attach the leg (B) to the seat (A) as shown on the picture. Using the Allen bolt (C1) and tighten all with the Allen Key (C2) as shown on the picture. Make sure all the Allen bolt is tighten before use .