











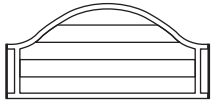
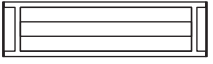
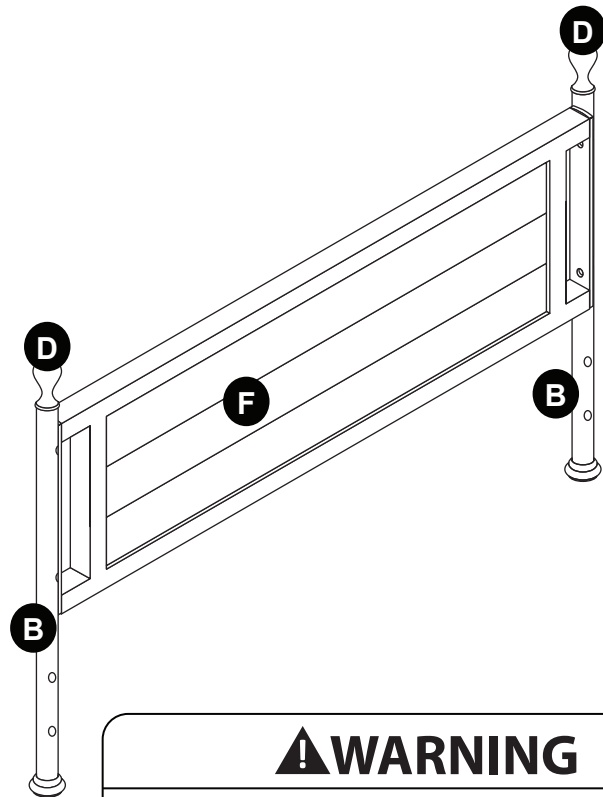
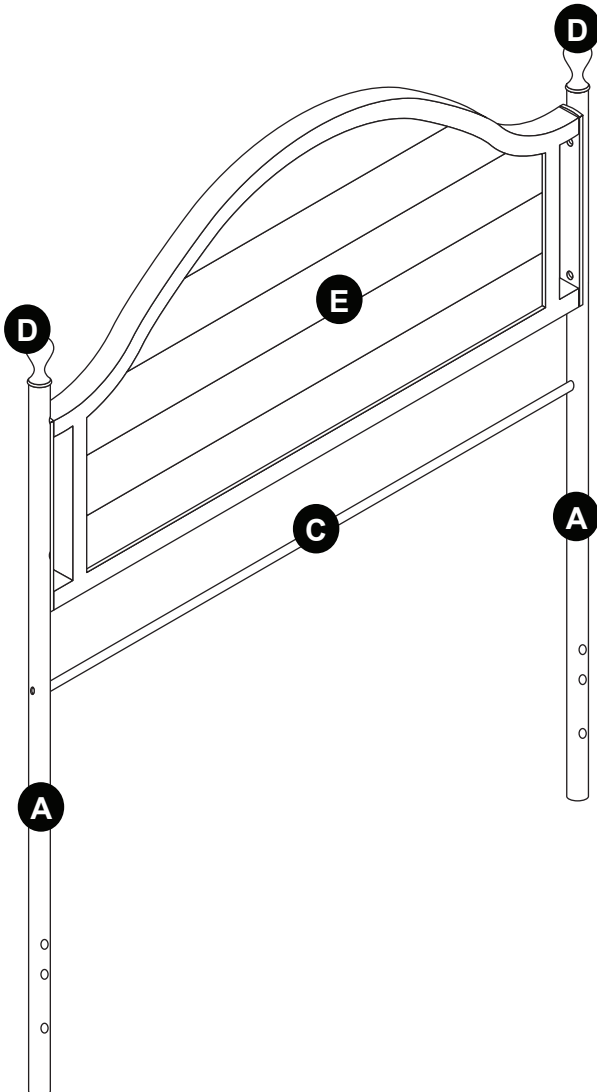


Bed

Examine all packaging material for small parts that may have come loose during shipment. Periodic checks are recommended to insure that all components are in proper position, tight and free from damage. Keep this assembly instruction for future reference. Adult assembly is required.

CODE	QTY	HARDWARE
1	6	1/4"*2-1/4" Sunk Bolts 
2	4	1/4"*1" Allen Bolts 
3	8	1/4"*1" Sunk Bolts 
4	8	1/4" Spring Washers 
5	8	5/8" Flat Washers 
6	4	1/4" Hex Nuts 
7	1	Open Wrench 
8	1	Allen Wrench 

CODE	QTY	COMPONENTS	CODE	QTY	COMPONENTS
A	2	Headboard Posts 	B	2	Footboard Posts 
C	1	Cross Bar 	D	4	Finials 
E	1	Headboard 	F	1	Footboard 



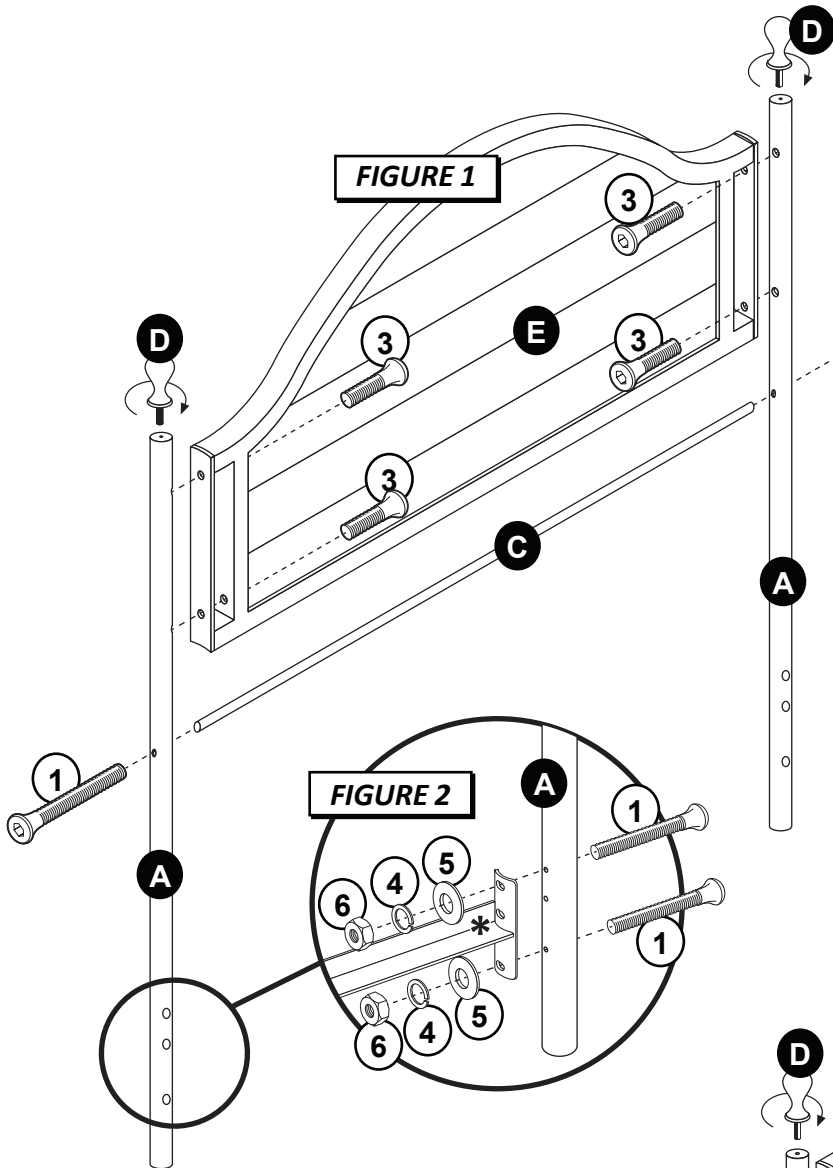
⚠ WARNING

- Do not let any sharp objects touch or rub the surface of the product.
- When assembling, do not let children play around the working area.
- Please confirm all parts are correct before starting the assembly process.
- Do not tighten all bolts and screws completely until the entire unit has been assembled and set up.
- Be careful if using power tools as they can over tighten screws and strip threads.

CARE & MAINTENANCE: The touch of a soft cloth is all the maintenance the finish will ever need. Please do not use harsh or abrasive cleaners for polishing, as they may cause damage to the finish. Periodic checks are recommended to make sure that all hardware is securely tightened.

Bed

FIGURE 1



STEP 1 - Figure 1

Begin assembly by attaching Headboard (E) in between Headboard Legs (A) using 2 Sunk Bolts (3) per side.

STEP 2 - Figure 1

Insert Finials (D) into Headboard Legs (A) and screw into place.

STEP 3 - Figure 1

Attach Cross Bar (C) in between Headboard Legs (A) and secure with 1 Sunk Bolt (1) per side.

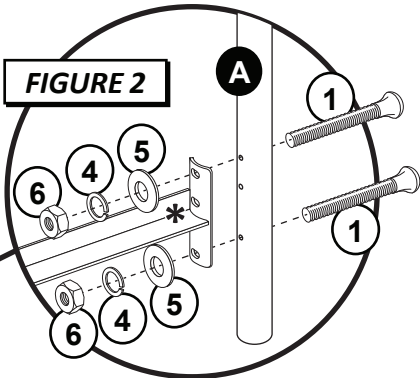
STEP 4 - Figure 3

Attach Footboard (F) in between Footboard Legs (B) using 2 Sunk Bolts (3) per side.

STEP 2 - Figure 1

Insert Finials (D) into Footboard Legs (B) and screw into place.

FIGURE 2



STEP 4 - Figure 2

Attach side rail (not included) to Headboard Legs (A) using 2 Sunk Bolts (1) from the back and 2 Flat Washers (5), 2 Spring Washers (4) and 2 Hex Nuts (6) from the front.

STEP 5 - Figure 4

Attach side rail (not included) to Footboard Legs (B) using 2 Allen Bolts (2), 2 Spring Washers (4) and 2 Flat Washers (5). Tighten all bolts with Allen Wrench (8) and all nuts with Open Wrench (7), both provided. The assembly is now complete.

FIGURE 3

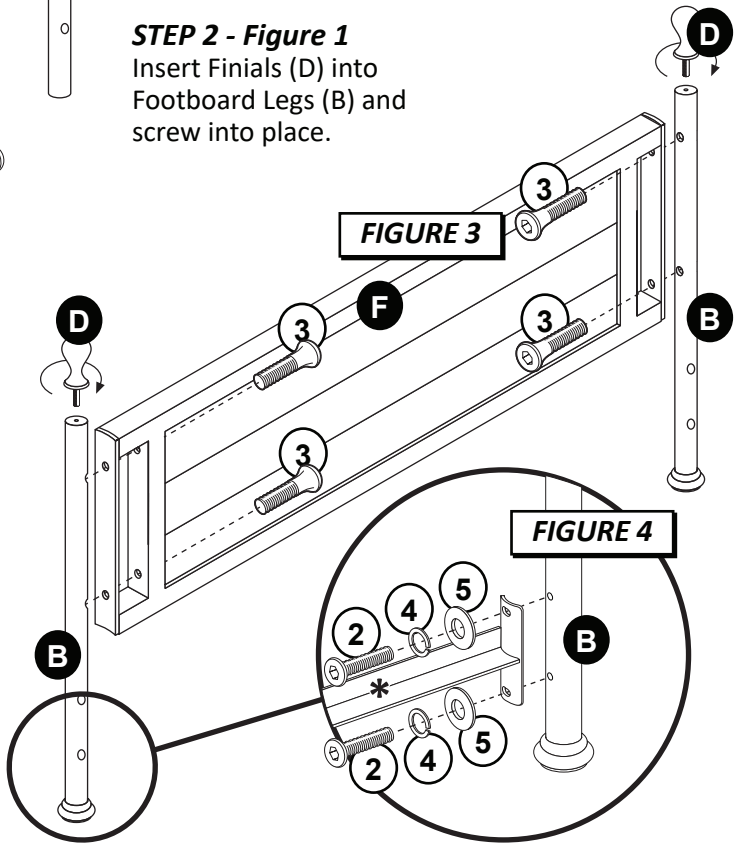
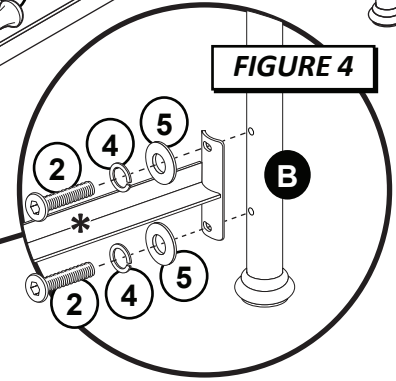


FIGURE 4







*The Bed Frame * is not included. Sold separately.*

Canopy

Examine all packaging material for small parts that may have come loose during shipment. Periodic checks are recommended to insure that all components are in proper position, tight and free from damage. Keep this assembly instruction for future reference. Adult assembly is required.

⚠ WARNING

- Do not let any sharp objects touch or rub the surface of the product.
- When assembling, do not let children play around the working area.
- Please confirm all parts are correct before starting the assembly process.
- Do not tighten all bolts and screws completely until the entire unit has been assembled and set up.
- Be careful if using power tools as they can over tighten screws and strip threads.

CODE	QTY	COMPONENTS	CODE	QTY	COMPONENTS
A	2	Short Canopy Posts 	B	2	Long Canopy Posts 
C	2	Short Canopy Poles 	D	2	Long Canopy Poles 

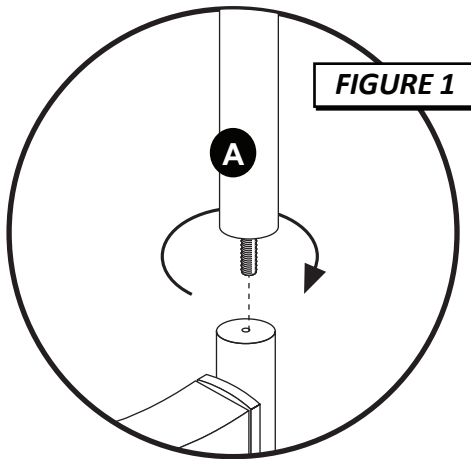
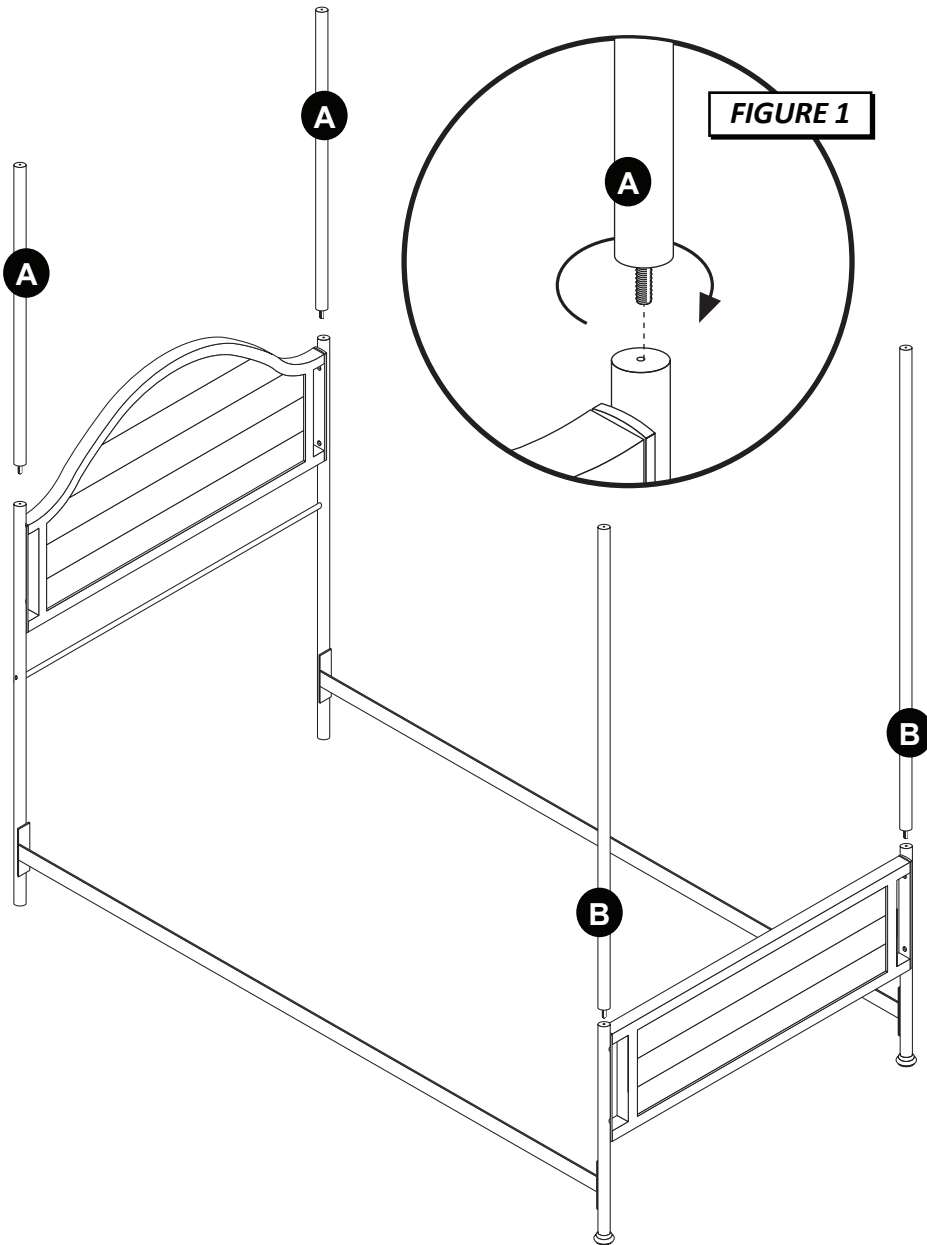


FIGURE 1

STEP 1 - Figure 1

Begin assembly by attaching Short Canopy Posts (A) to headboard posts by screwing into place.

STEP 2 - Figure 2

Attach Long Canopy Posts (B) to footboard posts by screwing into place.

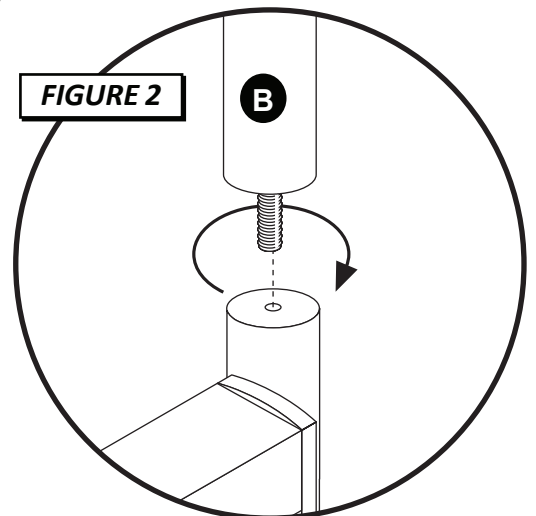


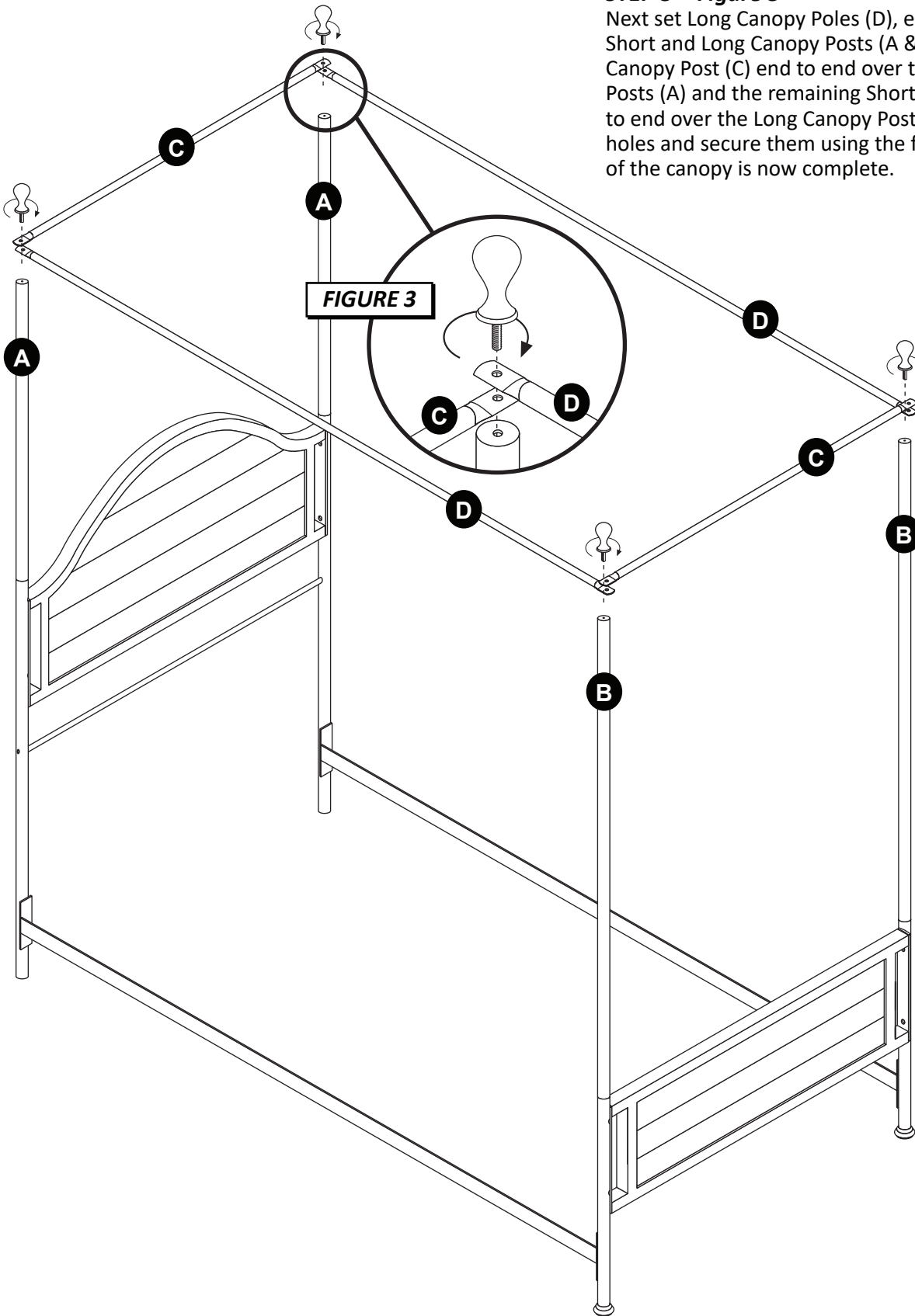
FIGURE 2

CARE & MAINTENANCE: The touch of a soft cloth is all the maintenance the finish will ever need. Please do not use harsh or abrasive cleaners for polishing, as they may cause damage to the finish. Periodic checks are recommended to make sure that all hardware is securely tightened.

Canopy

STEP 3 - Figure 3

Next set Long Canopy Poles (D), end to end over the Short and Long Canopy Posts (A & B). Then set 1 Short Canopy Post (C) end to end over the Short Canopy Posts (A) and the remaining Short Canopy Post (C) end to end over the Long Canopy Posts (B). Line up all the holes and secure them using the finials. The assembly of the canopy is now complete.



CARE & MAINTENANCE: The touch of a soft cloth is all the maintenance the finish will ever need. Please do not use harsh or abrasive cleaners for polishing, as they may cause damage to the finish. Periodic checks are recommended to make sure that all hardware is securely tightened.