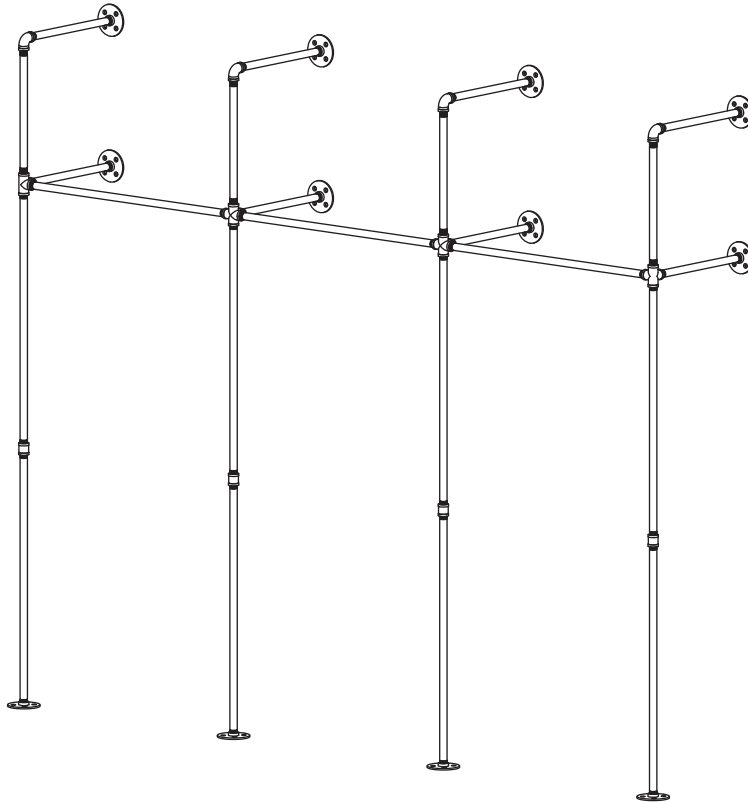


115" BLACK STEEL WALL- AND FLOOR-MOUNTED MODULAR PIPE WARDROBE KIT

NEED HELP OR ADVICE PUTTING THIS KIT TOGETHER? MISSING PIECES?
EMAIL US AT [SUPPORT@PIPE-DECOR.COM](mailto:support@pipe-decor.com) FOR ANY QUESTIONS



HOW TO PREVENT PIPE CORROSION

PIPE DECOR industrial-grade black pipes and fittings are coated with a rust-preventive oil during manufacturing. For best results, **SEAL THE PIPES TO AVOID ANY RUSTING** after cleaning the kit.

CLEAN AND SEAL INSTRUCTIONS:

CLEAN: Recommended supplies: regular degreasing dish soap, washcloths, gloves (optional)
1. Wash your pipes and fittings with warm water and dish soap until the oil is completely removed.
2. Wipe the pipes with a dry washcloth and wait until the pipes are completely dry.

IMPORTANT: THE PIPES MUST BE COMPLETELY DRY BEFORE YOU START THE SEALING PROCESS.

SEAL:

IF USING POLYURETHANE SPRAY: Spray each dry pipe and fitting with a polyurethane matte or satin finishing spray and let it dry before assembling the kit.

IF USING FINISHING WAX: Coat each dry pipe with a finishing wax. Wait for 20 minutes, then polish the pipe with a dry washcloth by wiping them down. Faster wiping will result in a shinier finish.

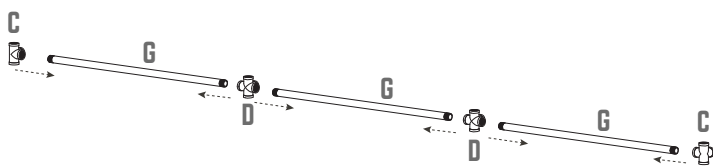
PIPE DECOR® 115" BLACK STEEL WALL AND FLOOR-MOUNTED MODULAR PIPE WARDROBE KIT

EASY INSTALLATION:

RECOMMENDED TOOLS FOR INSTALLATION

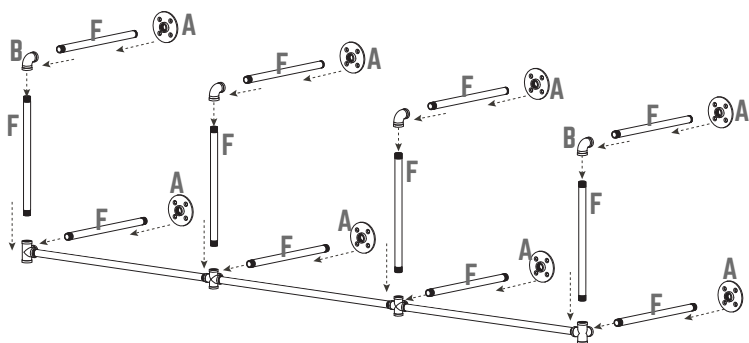


STEP 1 Start with the longest nipples (36")

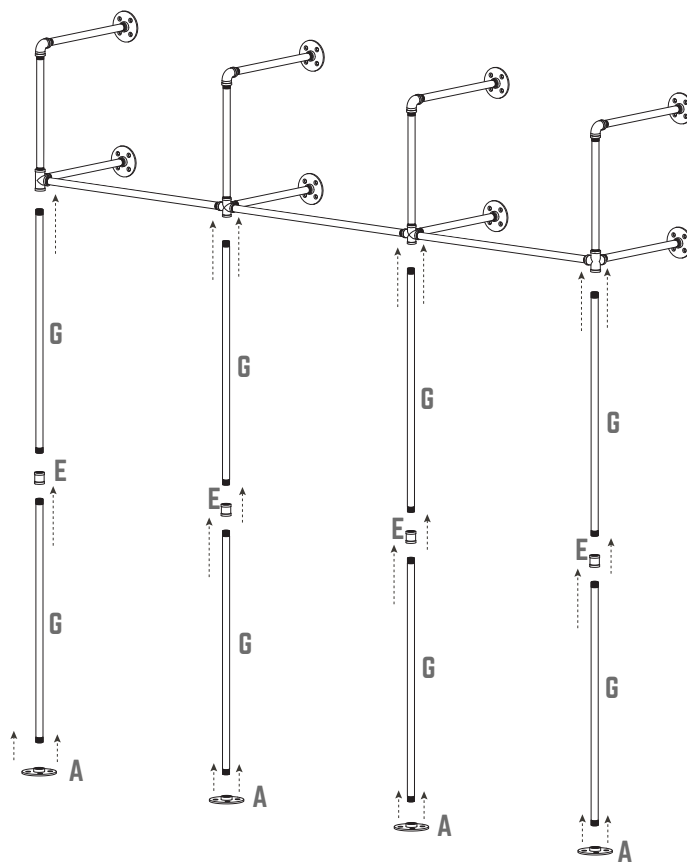


PART	DESCRIPTION	QTY
A	1/2" FLANGE	12
B	90° ELBOW	4
C	1/2" SIDE OUTLET TEE	2
D	5-WAY FITTING	2
E	1/2" COUPLING	4
F	12" NIPPLE	12
G	36" NIPPLE	11
H	SCREWS/ANCHORS	32

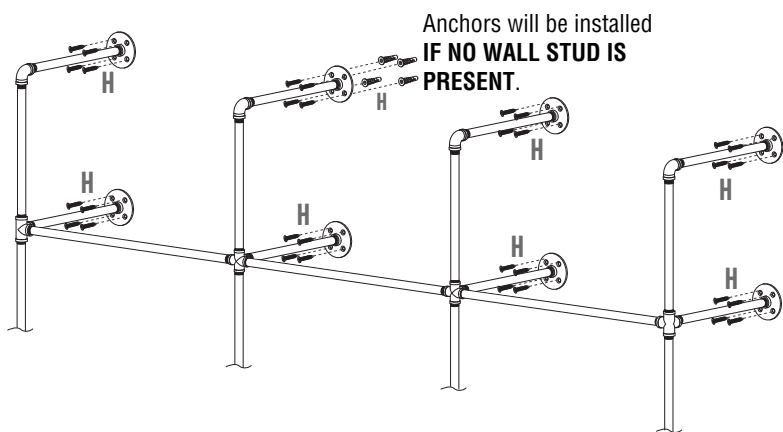
STEP 2



STEP 3



STEP 4



- Place flange against wall in desired location and mark holes with pencil
- Using stud finder, locate and mark wall stud if found
- **If a wall stud is present**, attach flange to wall with included screws
- **If no wall stud is present:**
 - Drill pilot holes in wall using 1/4" drill bit
 - Insert anchor fully into pilot hole using hammer and Phillips screwdriver as needed
- Attach flange to wall using included screws