

Forte

TMSLIGHTING

ESTABLISHED 1923



Ceiling Canopy



Features

- 16" diameter reflector provides excellent coverage and uniformity, suitable for general and localized lighting
- Choice of LED or incandescent source
- Smooth dimming without any color shift
- Surge suppressor protects the internal components
- Quality components combined with the most current technology for high efficiency and reduced lighting costs

Applications

Forte is ideal for illuminating areas where localized distribution is necessary, such as doorways and entrances, laneways, patios, and could provide adequate nighttime security lighting. Forte could either augment the existing lighting system, or illuminate a small to medium-sized area.

Construction

Aluminum construction with stainless steel mounting hardware; 16" (406 mm) diameter reflector and canopy, with a drop cord and aircraft cable mount.

Lamping

Integrated 15W Cree™ LED light source, CCT 3500K, CRI 80, 120-277V, or 60W incandescent.

Note: A medium base lamp socket (E26) is installed for incandescent systems. LED modules are wired directly to the integral driver, and do not require a lamp socket.

Only integrated LED sources are supplied, not lamps.

LED Driver

The LED source is controlled by an advanced electronic driver that delivers consistent power.

Surge Suppressor

Luminaire components are protected by a 6kV surge suppressor.

Dimming

0-10V, current-sinking type, with pulse width modulation (PWM).

Note: Use a current-sinking dimming system (by others) for LED dimming.

Compatibility of this product is not guaranteed with all control systems.

Finish

The TMS white powder-coat finish is applied to the reflector and ceiling canopy.

Mounting

Mount to the ceiling, directly to a standard 4" electrical junction box. The adjustable drop cord and aircraft cable mount (120" / 3.048 m max.) provide support for the luminaire.

Follow the installation instructions, and adhere to the local electrical code.

Compliances

QPS-C/US, or UL-C/US certified to UL1598 standards. Rated IP20 for dry, indoor locations.

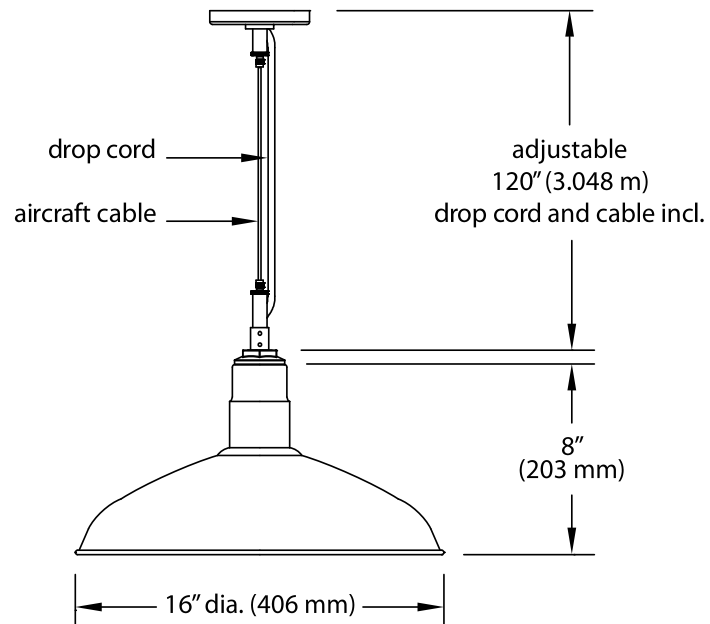


Forte

TMSLIGHTING

ESTABLISHED 1923

Dimensions



Specifications are subject to change without notice.

TMS Lighting Inc.
247A Summerlea Road,
Brampton, Ontario,
Canada. L6T 4E1

Web Site: tmslighting.com

North America: (905) 793-1174
Toll-free: (866) 793-1174
Fax: (905) 793-1175

UK & Europe: 44-1474-250-654