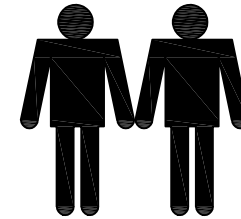


Assembly Instruction

Note:

1. Should be assembled on flat ground to keep balance.
2. Before completing the installation, do not tighten the screws.

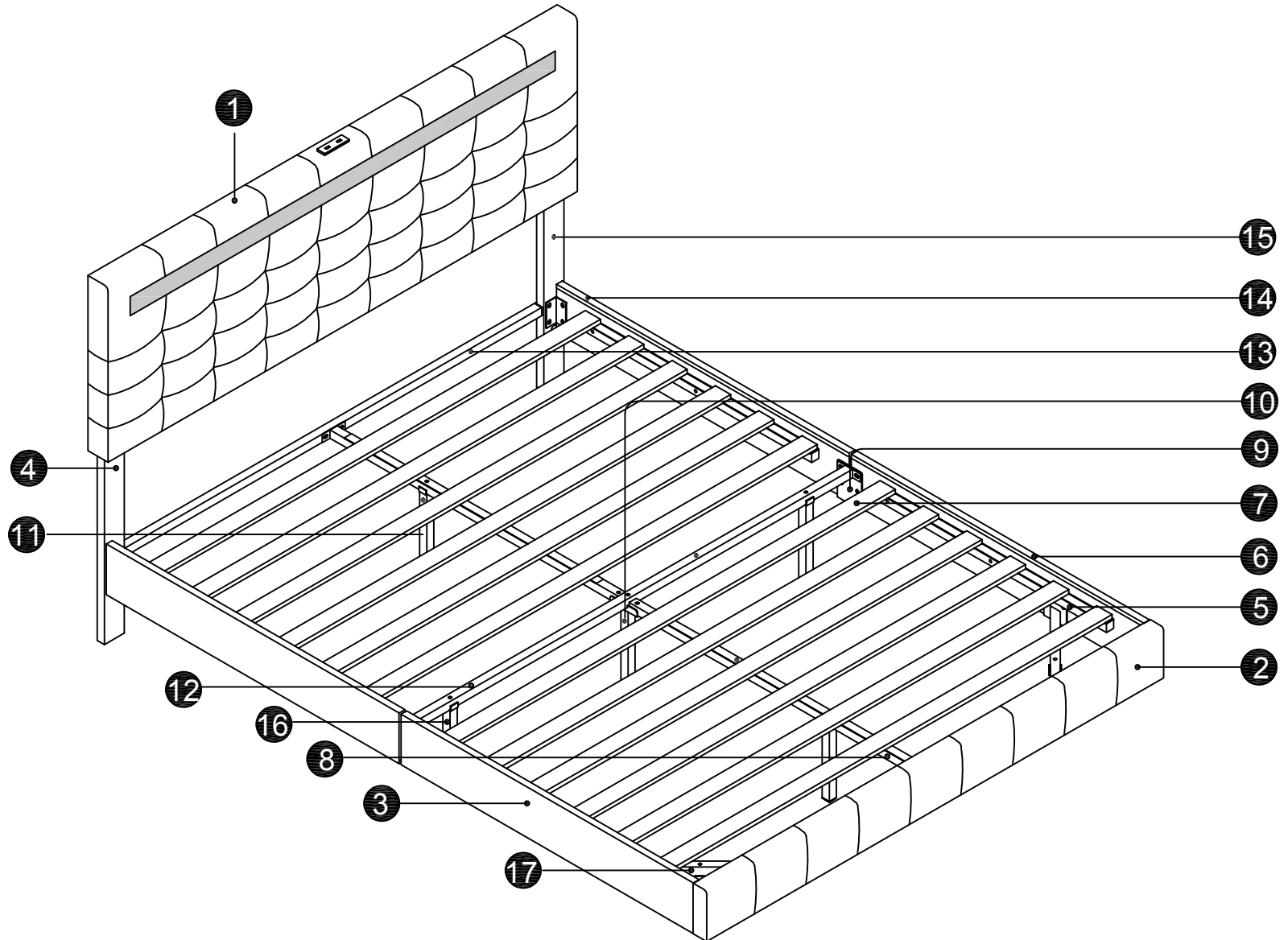


You must need
two people to install !!



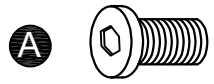
Before starting the
assembly, you must
read the whole
manual and follow
the instructions

Assembly Instruction

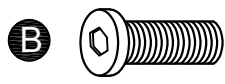


Assembly Instruction

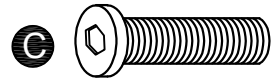
Hardware Parts



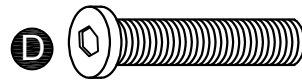
A 18mm M8 Bolt x 20



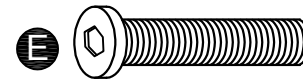
B 25mm M8 Bolt x 18



C 40mm M8 Bolt x 18



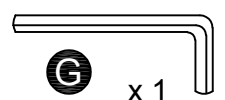
D 50mm M8 Bolt x 5



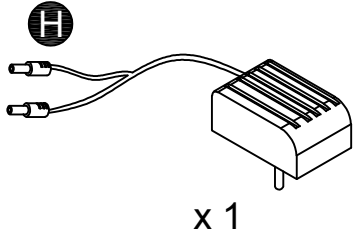
E 60mm M8 Bolt x 2



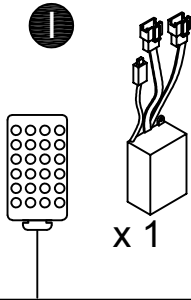
F Flat washer x 6



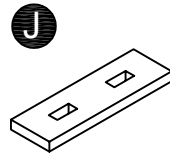
G x 1



H x 1



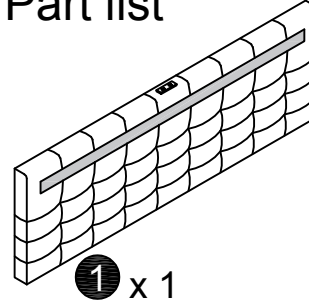
I x 1



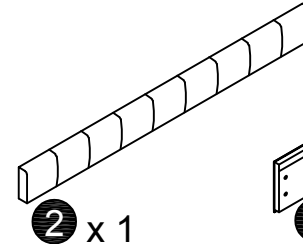
J x 1

Unplug the battery separator of the remote control before use

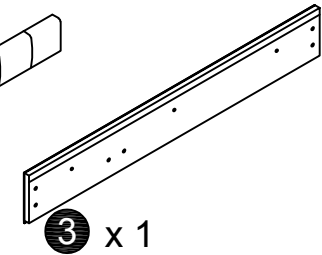
Part list



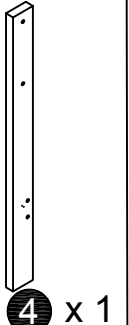
1 x 1



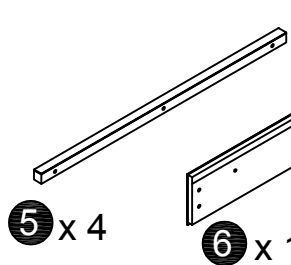
2 x 1



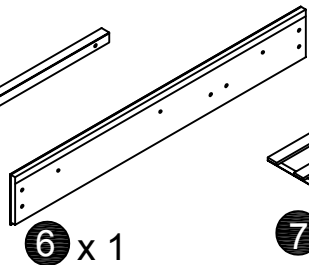
3 x 1



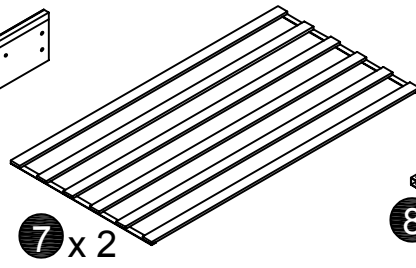
4 x 1



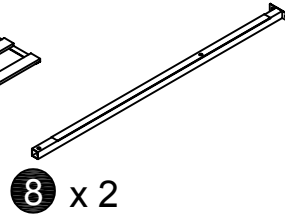
5 x 4



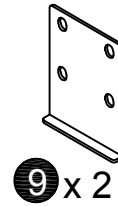
6 x 1



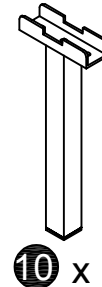
7 x 2



8 x 2



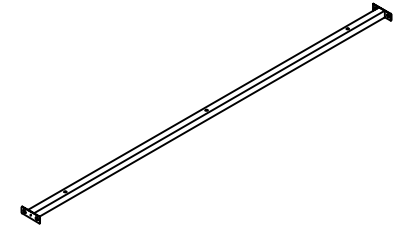
9 x 2



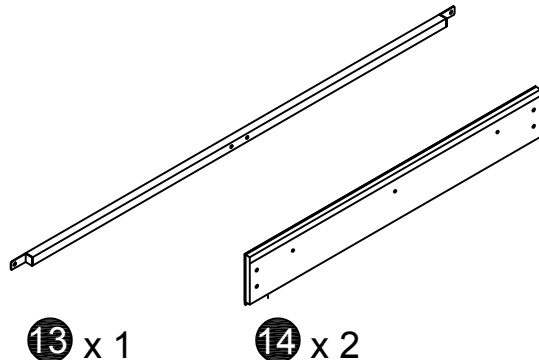
10 x 1



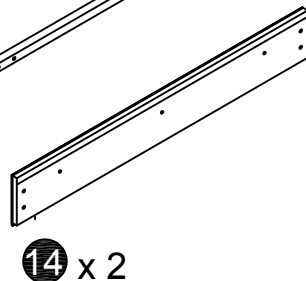
11 x 2



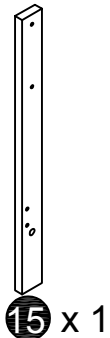
12 x 1



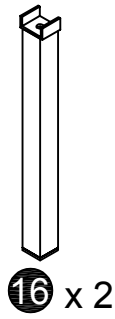
13 x 1



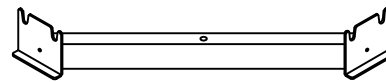
14 x 2



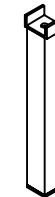
15 x 1



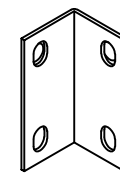
16 x 2



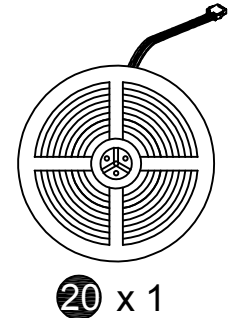
17 x 2



18 x 2

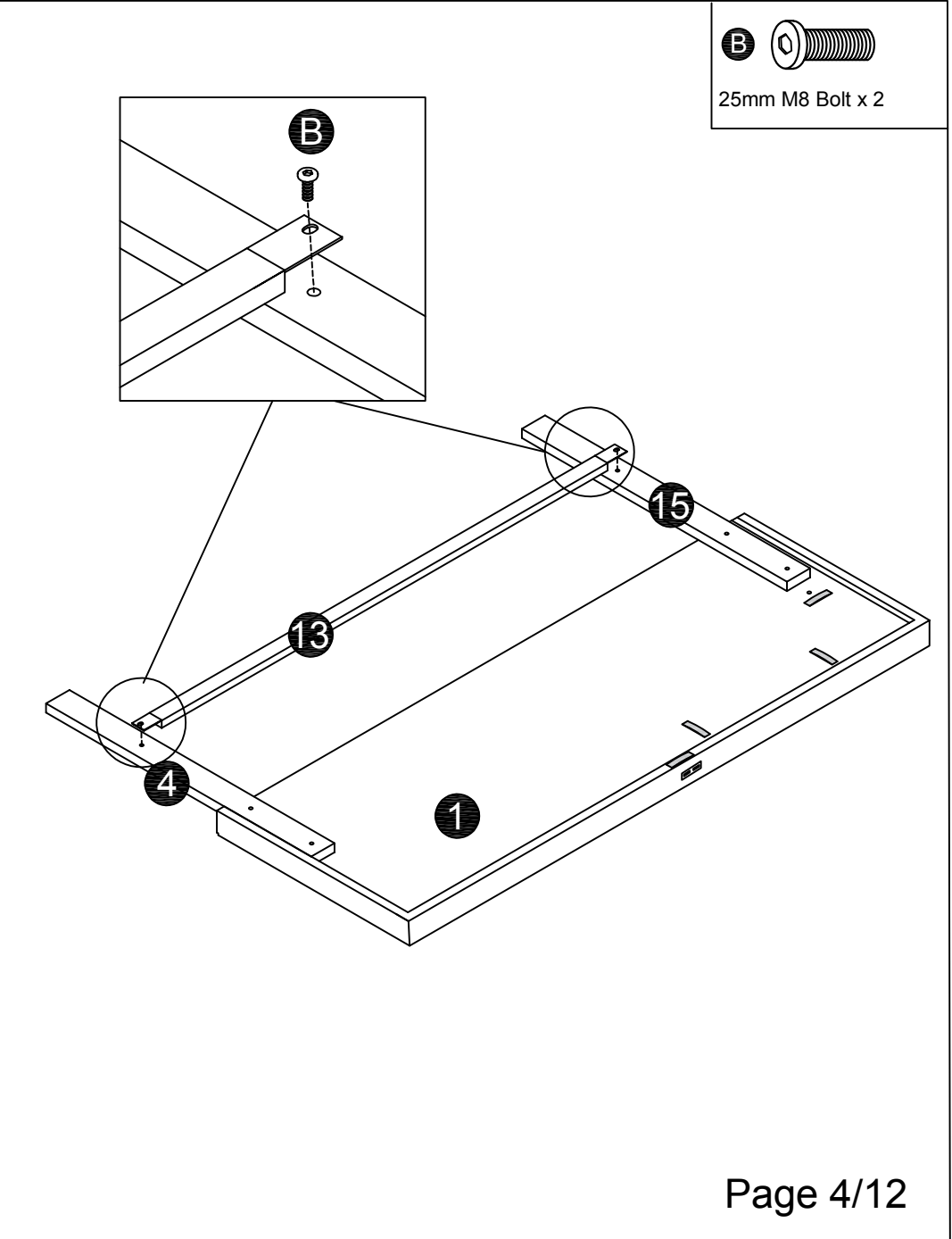
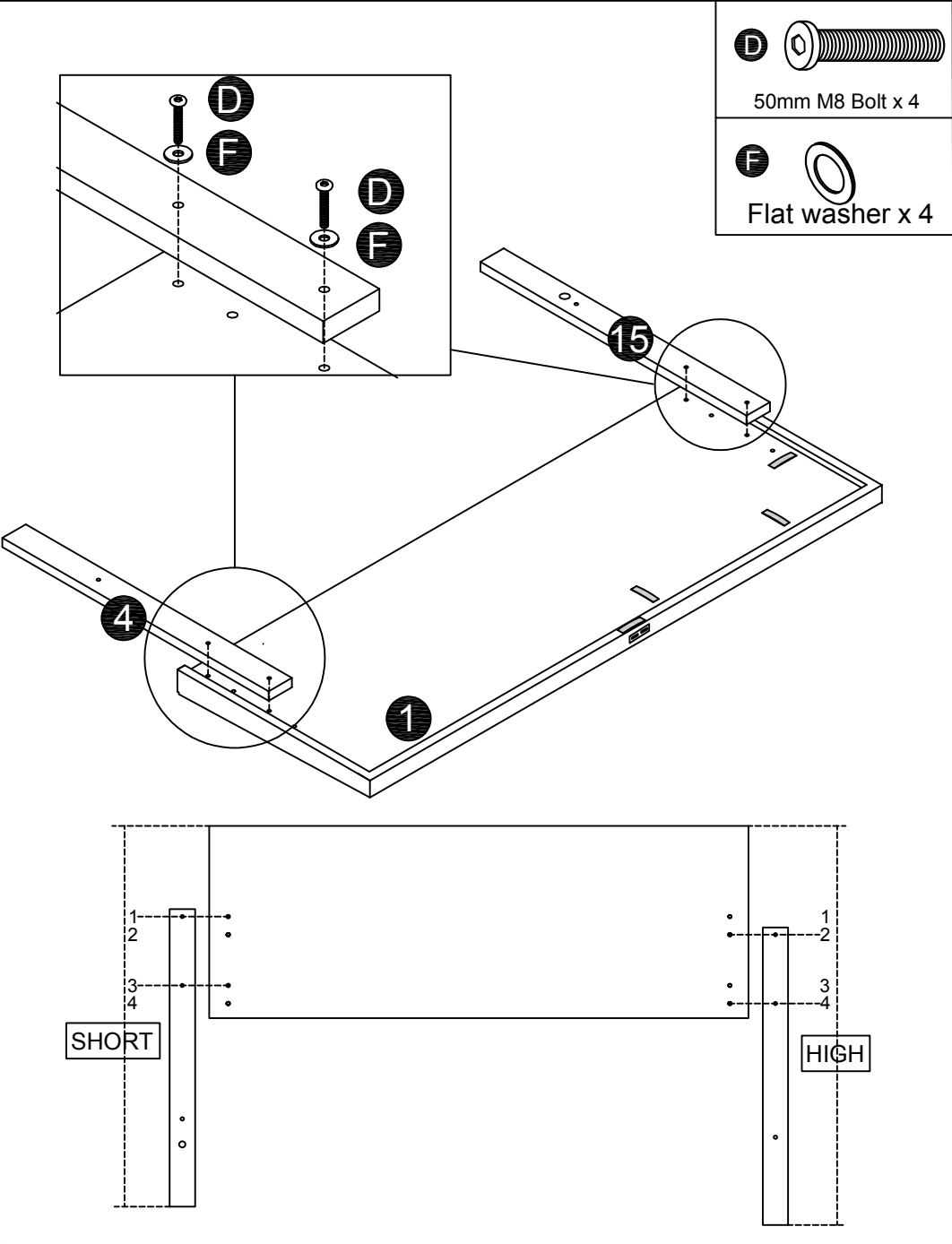


19 x 4

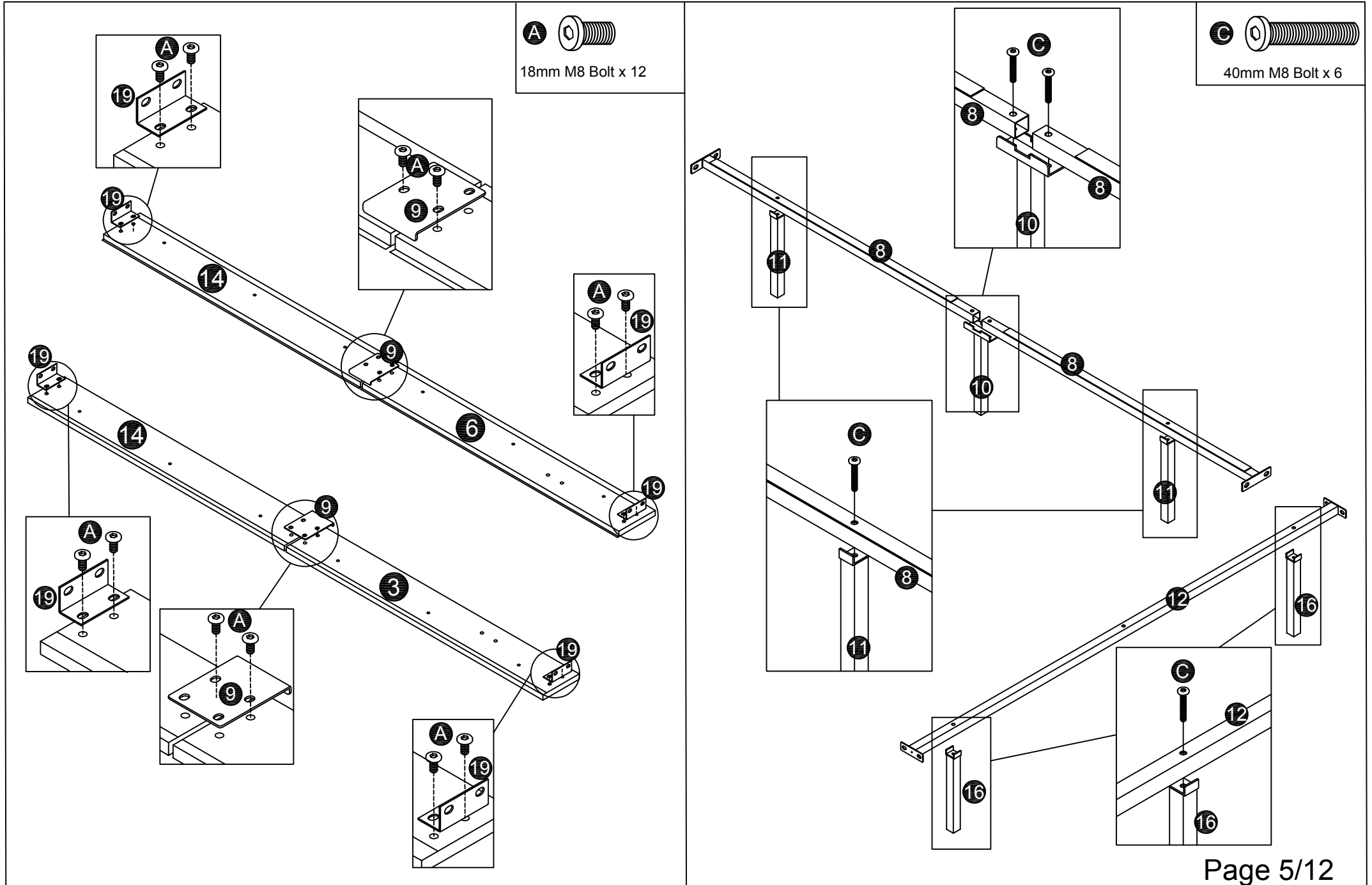


20 x 1

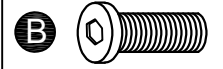
Assembly Instruction



Assembly Instruction



Assembly Instruction



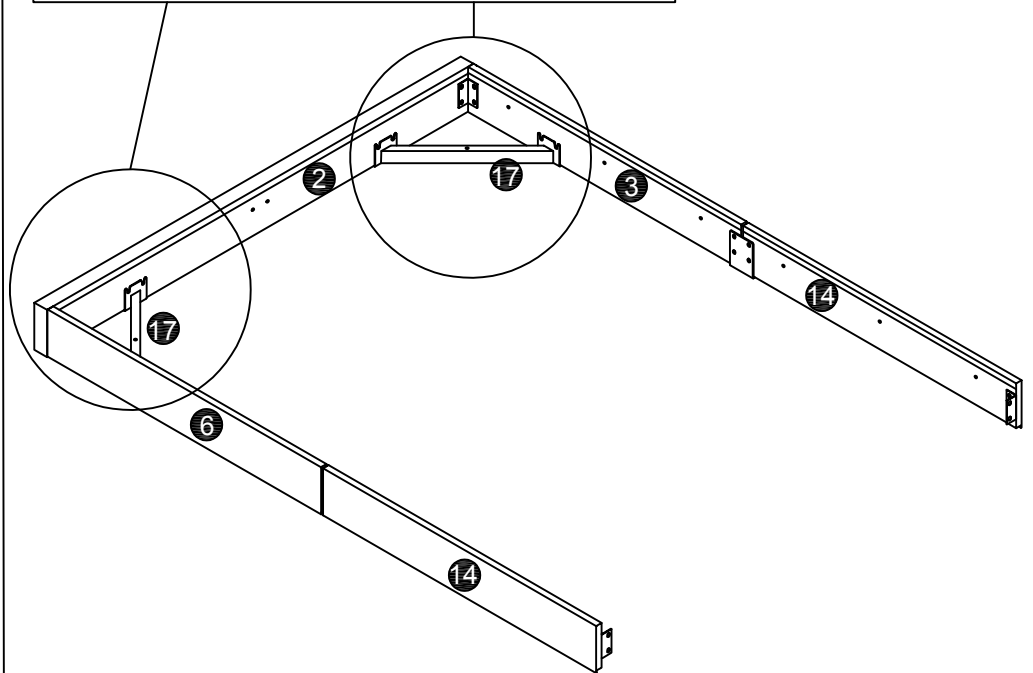
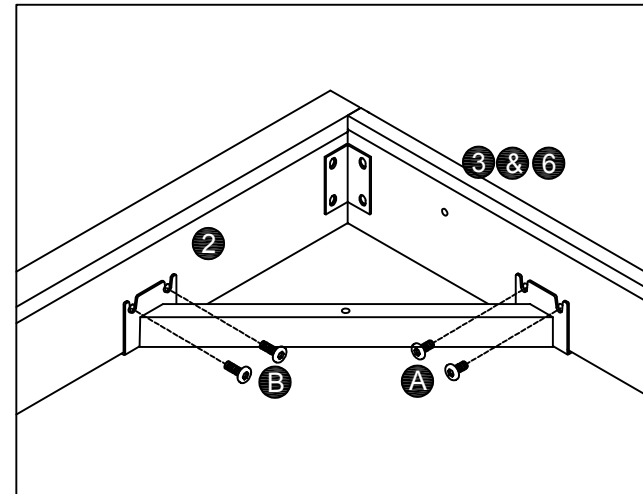
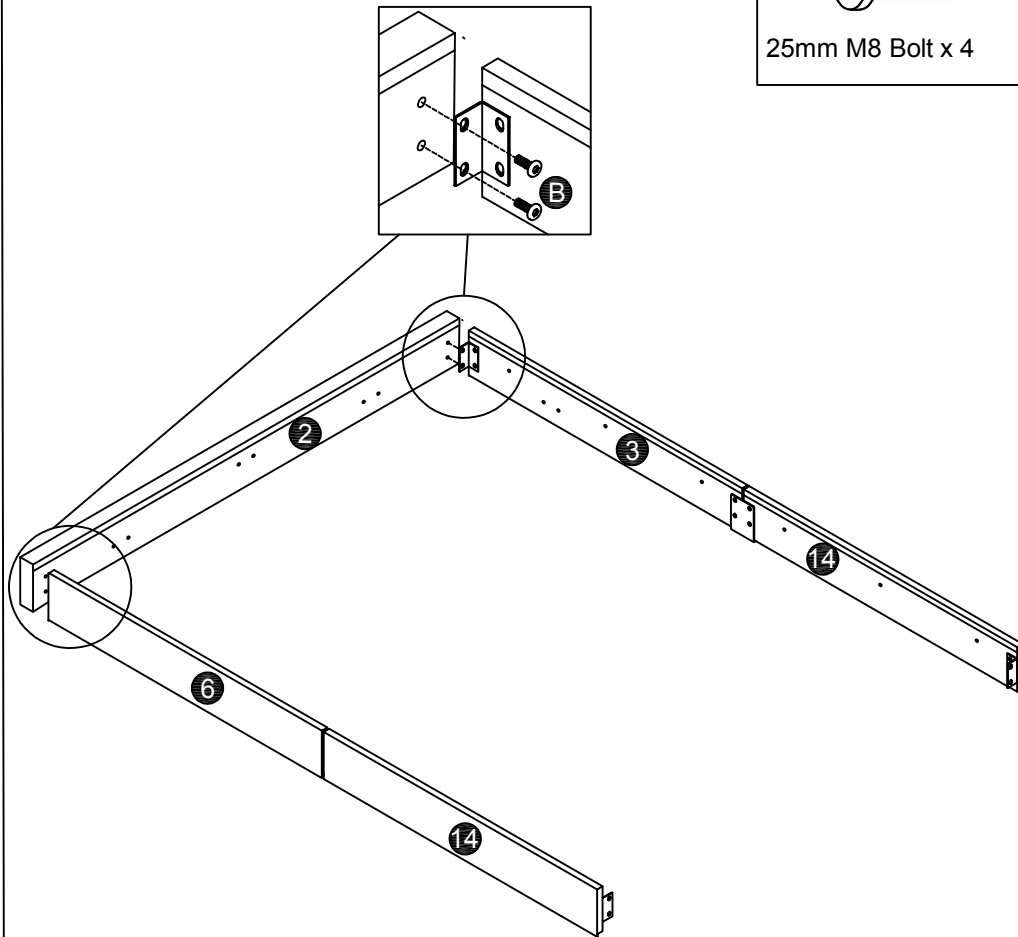
25mm M8 Bolt x 4



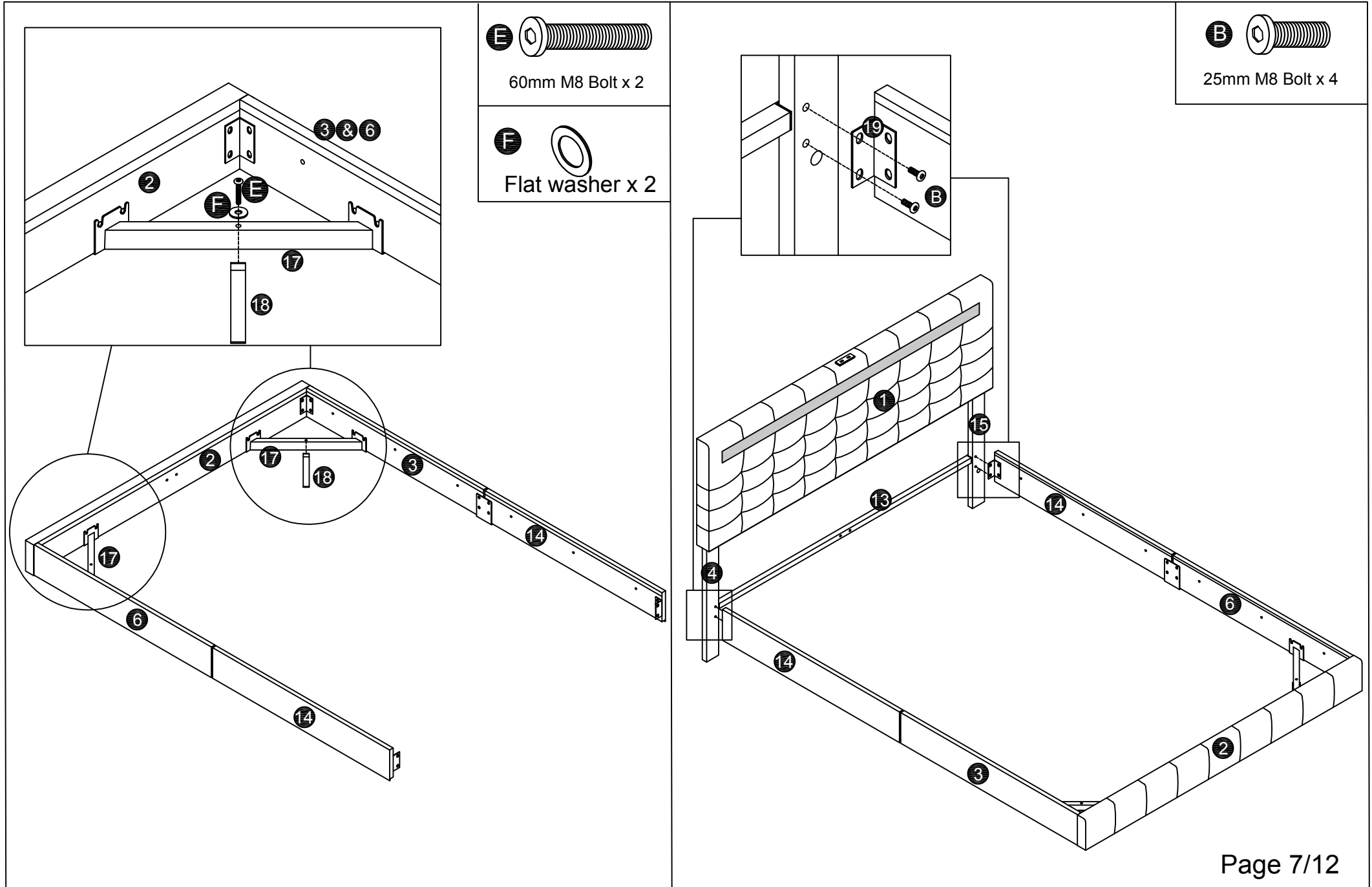
18mm M8 Bolt x 4



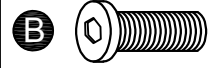
25mm M8 Bolt x 4



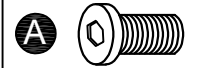
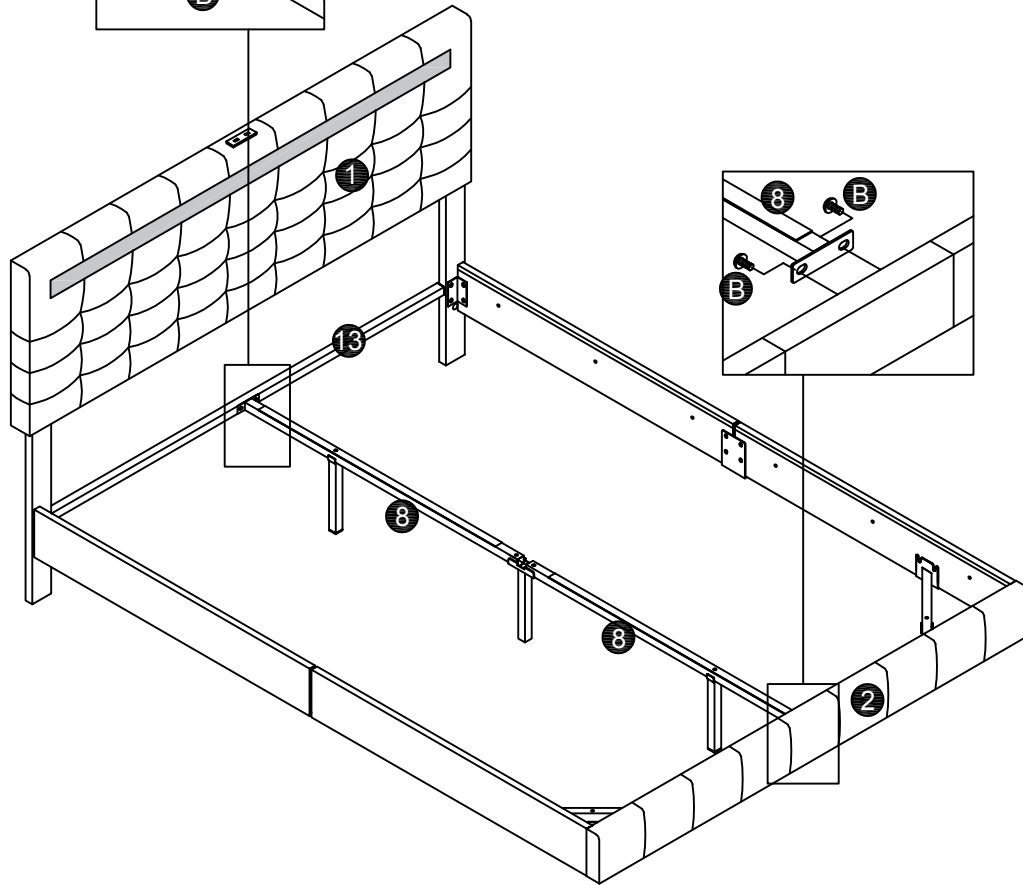
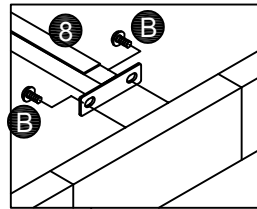
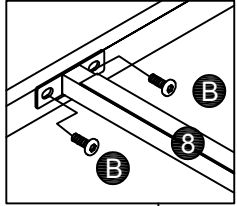
Assembly Instruction



Assembly Instruction



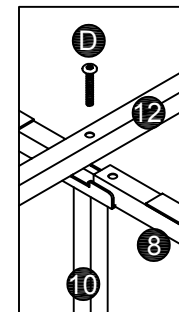
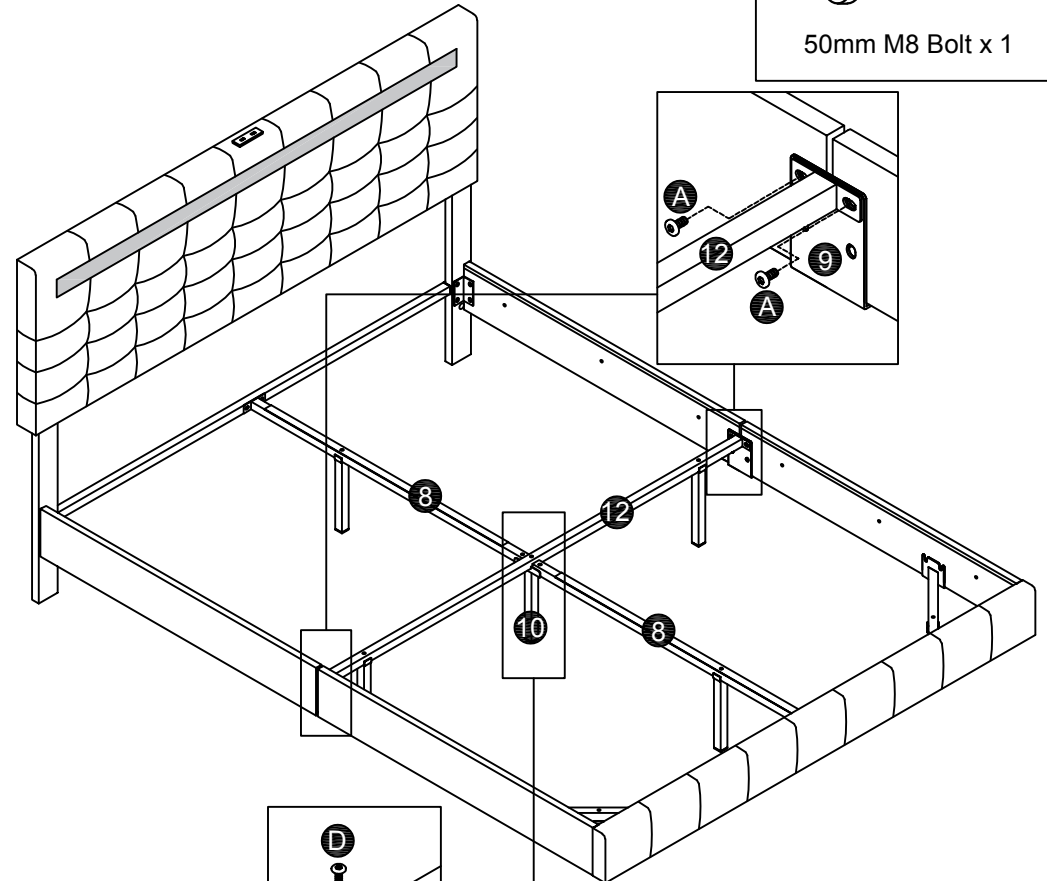
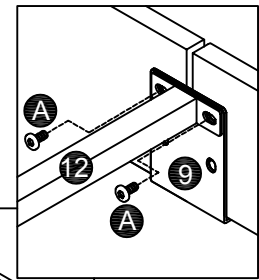
25mm M8 Bolt x 4



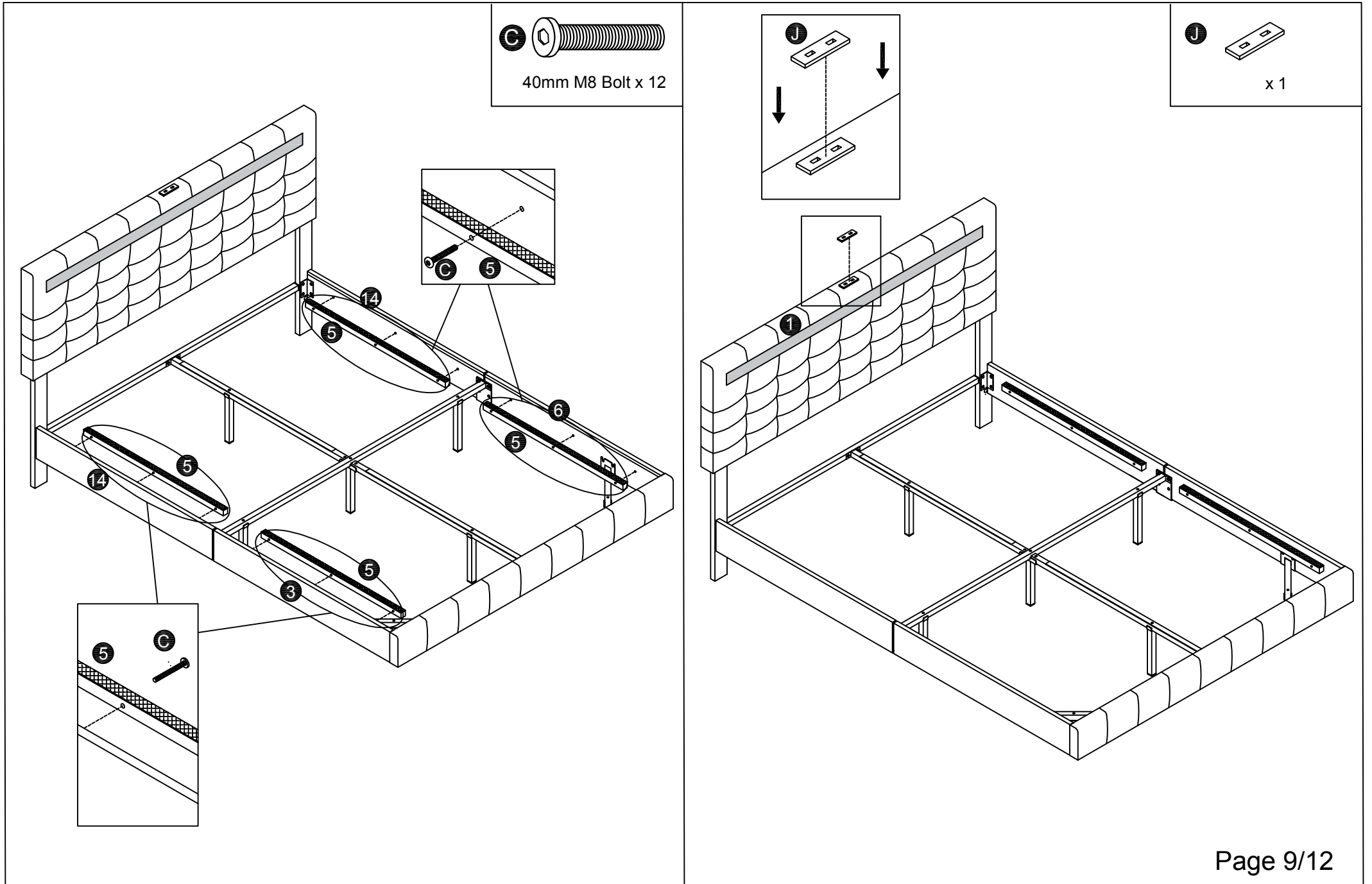
18mm M8 Bolt x 4



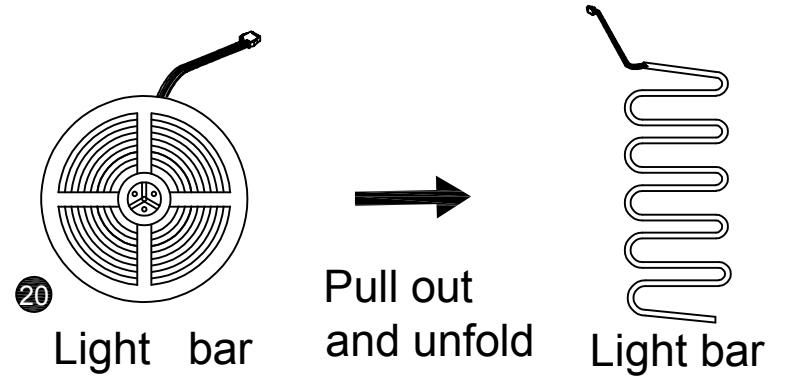
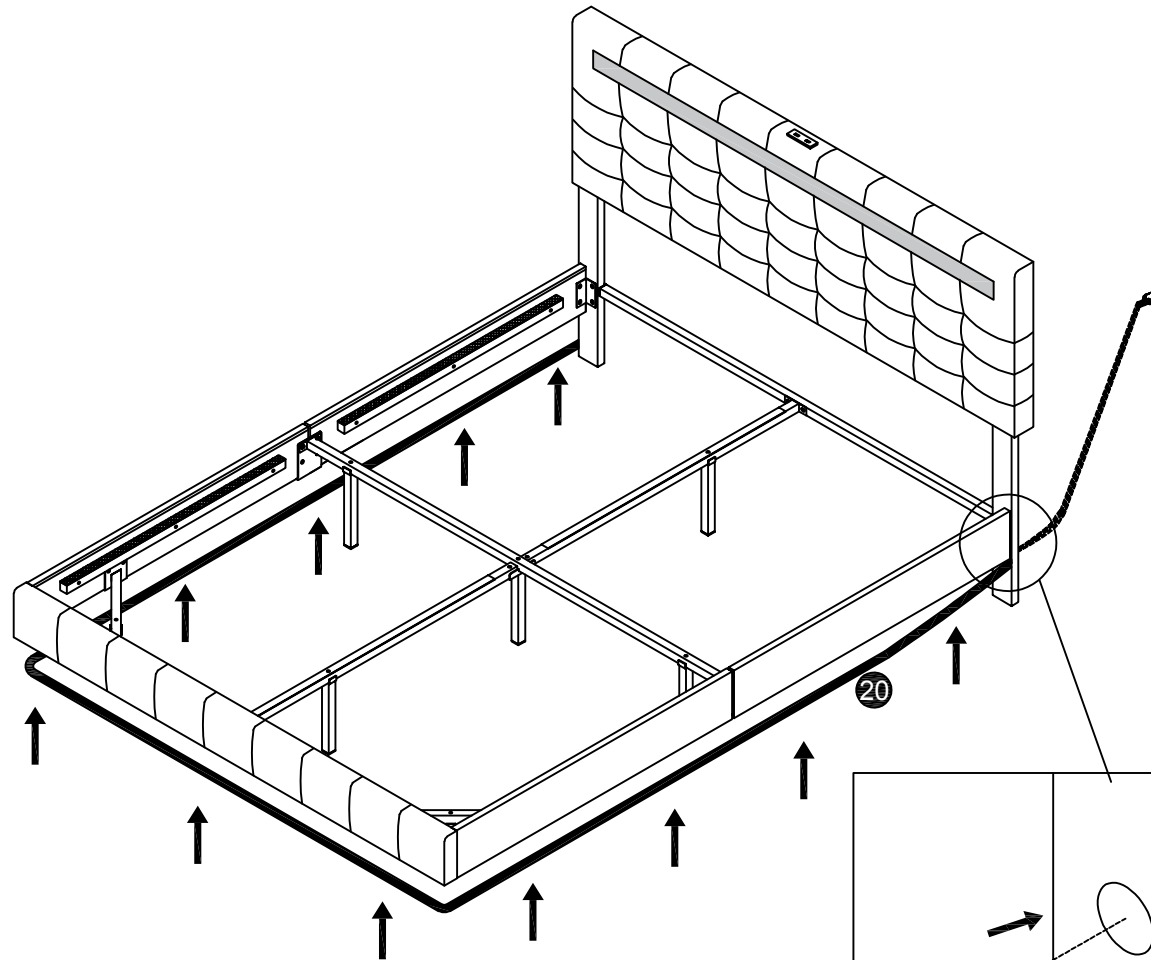
50mm M8 Bolt x 1



Assembly Instruction



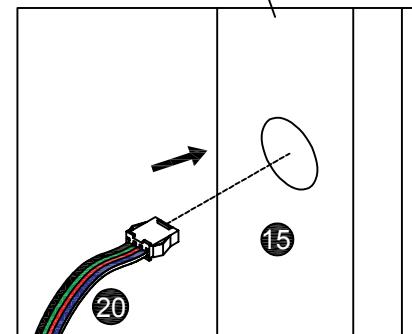
Assembly Instruction



1. One side of the light bar is the luminous surface, and the other side is the velcro tape A.

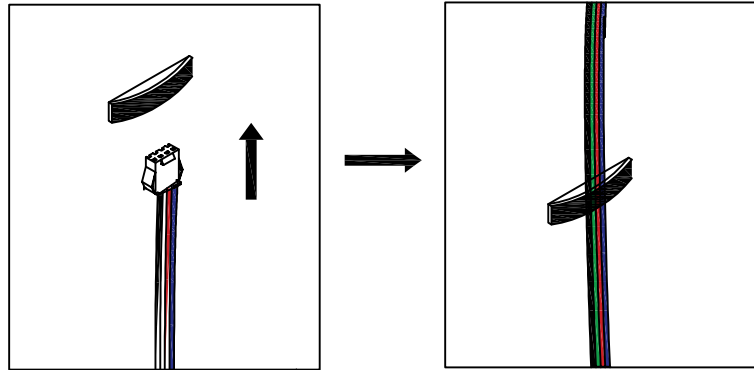
2. There are corresponding velcro tape B under the bed side and under the bed tail, which can be firmly bonded

Please fit the light belt to the bottom of the bed side

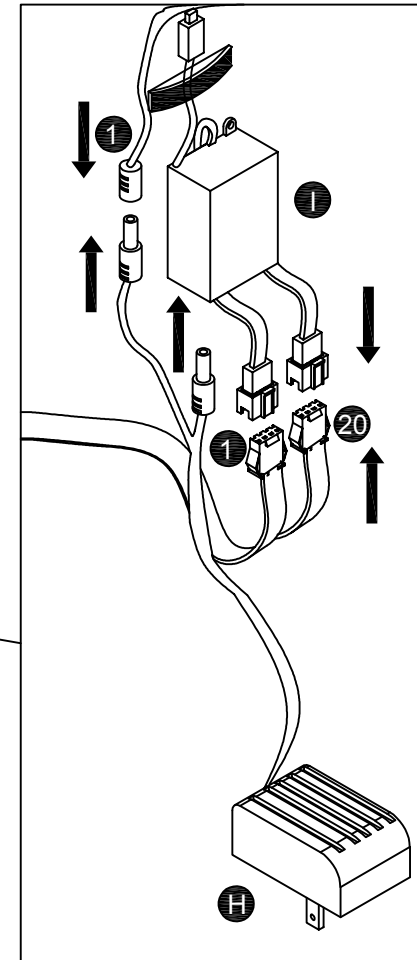
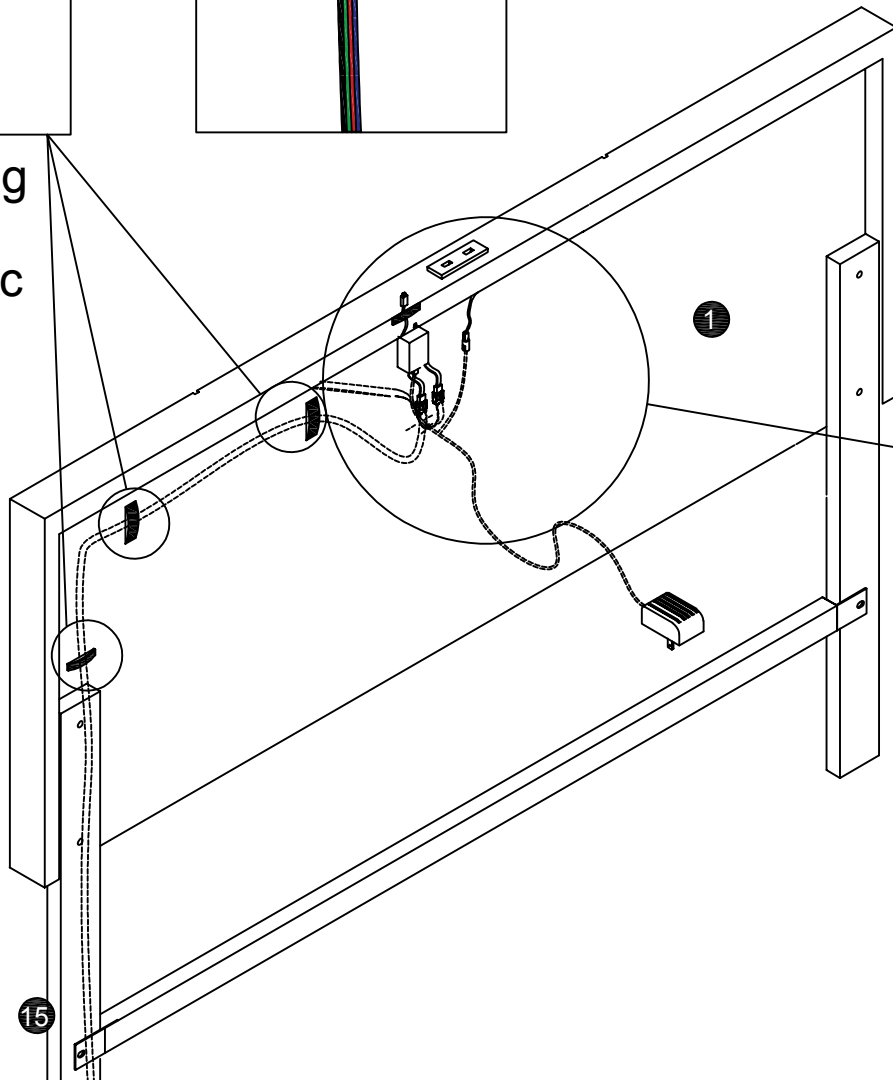


come through the hole

Assembly Instruction



Please string the thread to the elastic band



Please attach the infrared receiver to the elastic bag

Assembly Instruction

