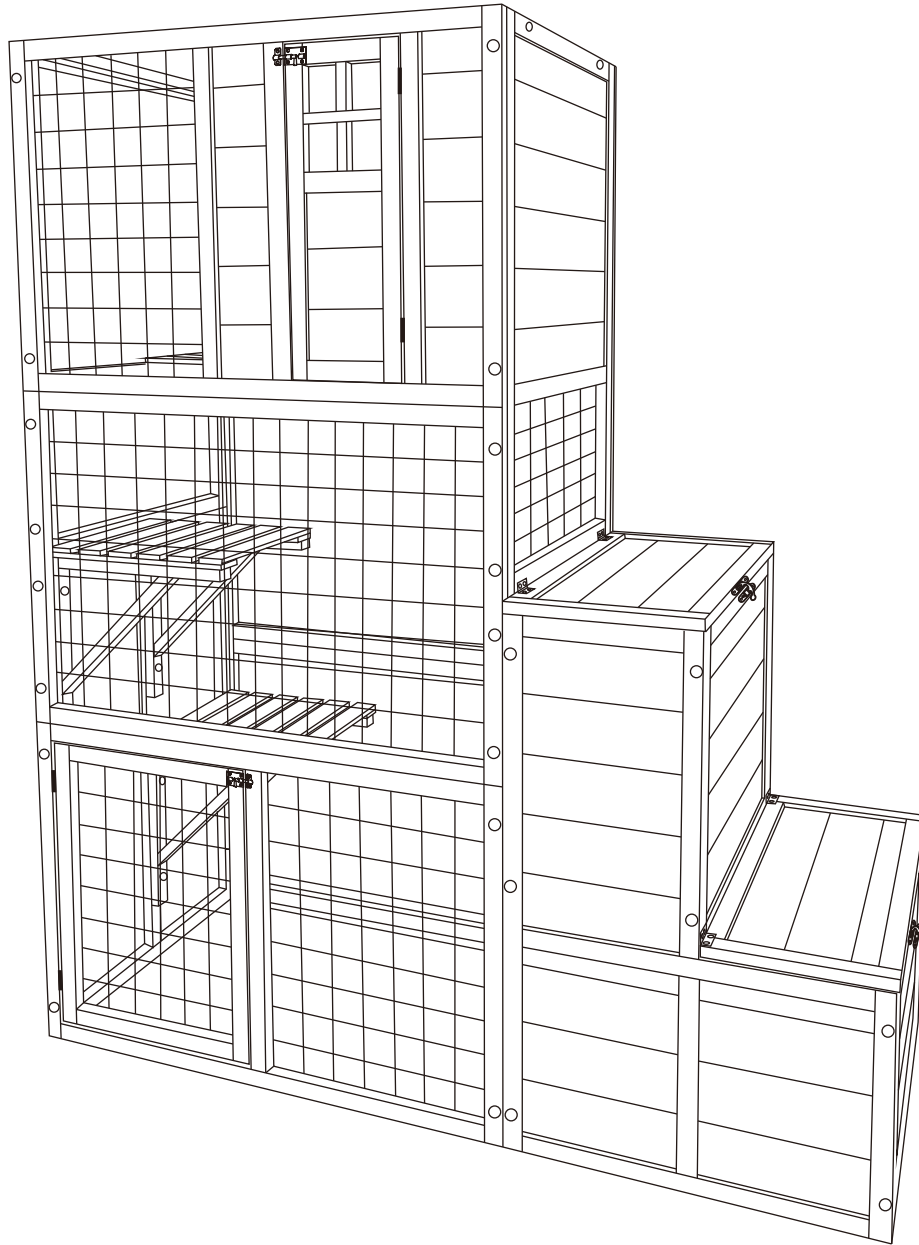


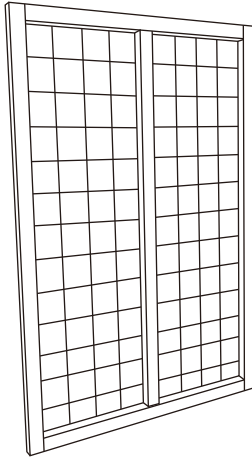
INSTRUCTION MANUAL



Please read the Manual carefully before operation. If the parts were missed or damaged, please contact us. We will reply and solve the problem for you in 24 hours.

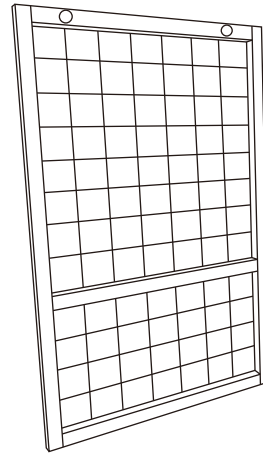
BOARD IDENTIFICATION

A



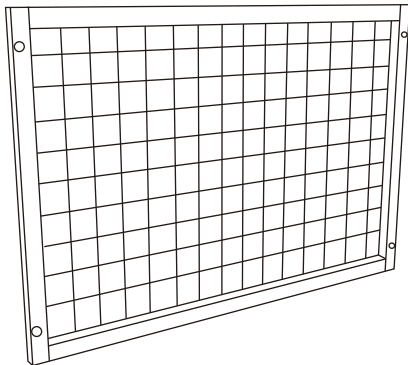
1 PC

B



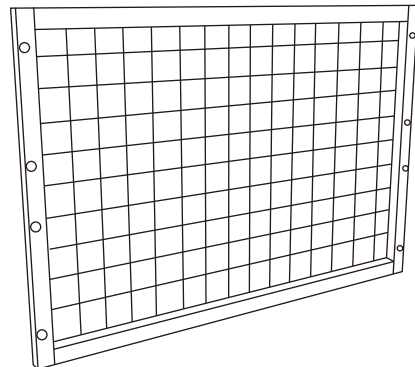
1 PC

C



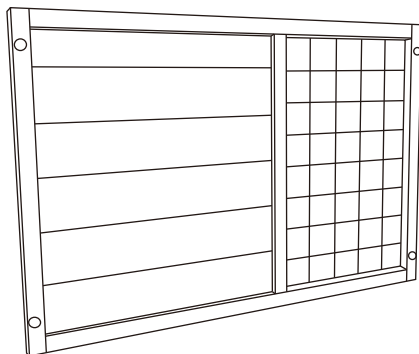
1 PC

D



2 PCS

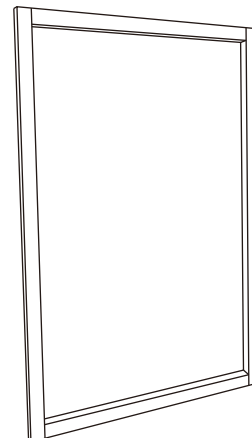
E



L35.43xW23.62 inch

1 PC

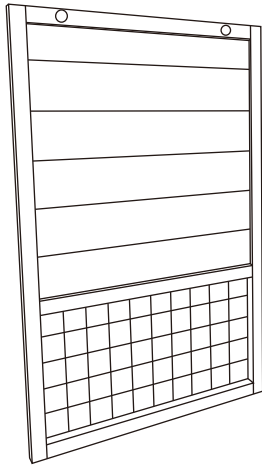
F



1 PC

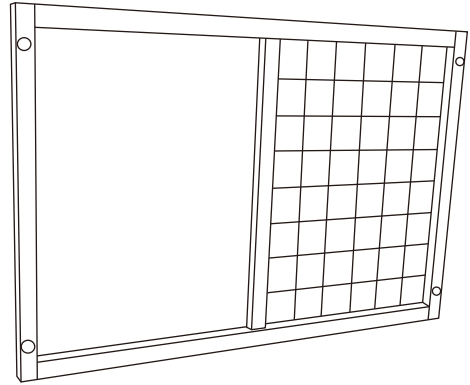
BOARD IDENTIFICATION

G



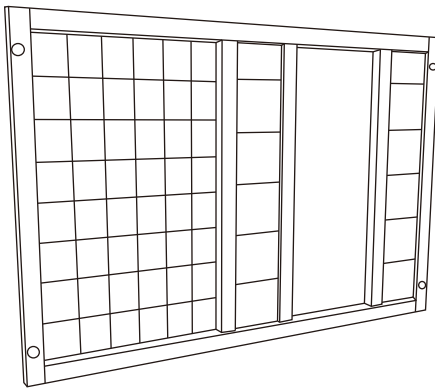
1 PC

H



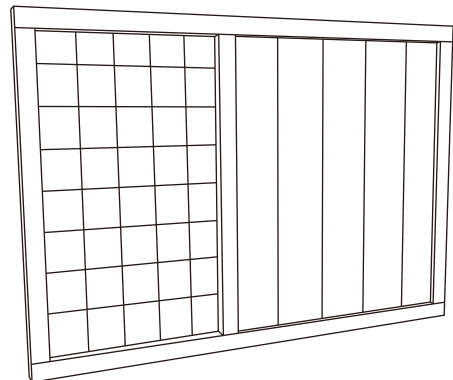
1 PC

I



1 PC

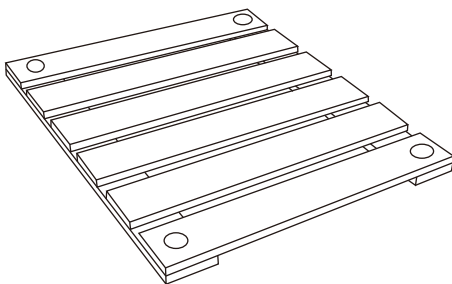
J



L33.86xW23.50 inch

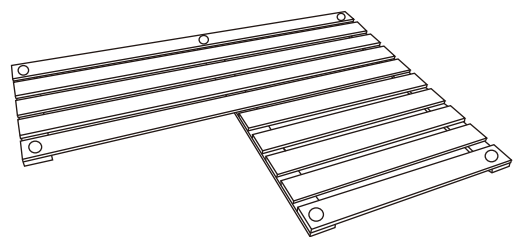
1 PC

K



2 PCS

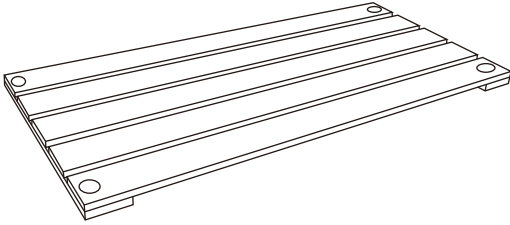
L



1 PC

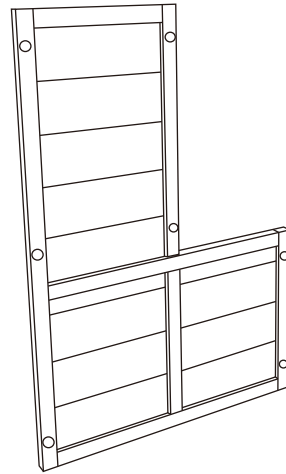
BOARD IDENTIFICATION

M



1 PC

N



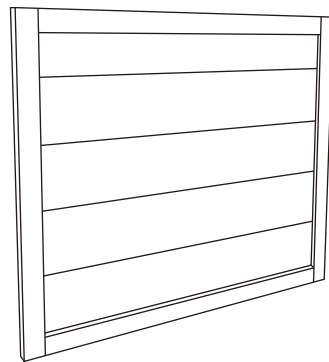
1 PC

O



1 PC

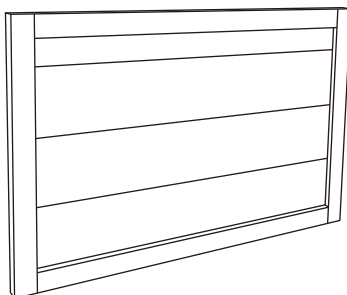
P



L23.62xW19.69 inch

1 PC

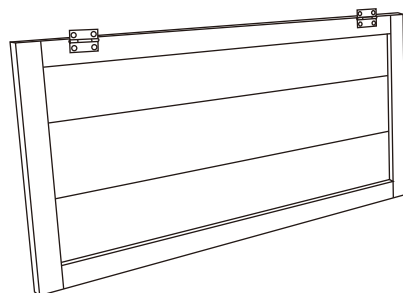
Q



L23.62xW14.96 inch

1 PC

R

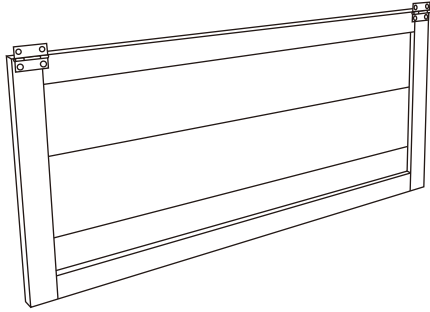


L25xW12.40 inch

1 PC

BOARD IDENTIFICATION

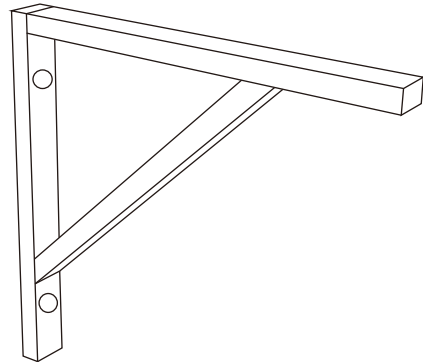
S



L25xW11.22 inch

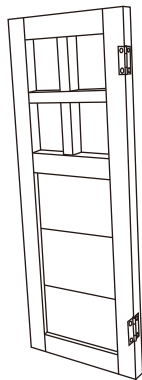
1 PC

T



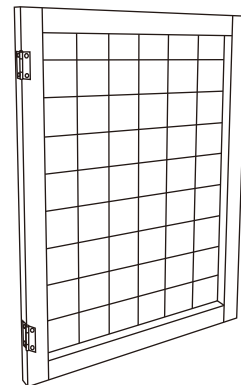
4 PCS

U



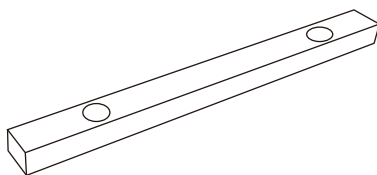
1 PC

V



1 PC

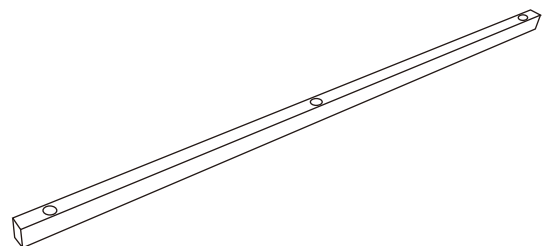
W



L: 10.63 inch

5 PCS

X

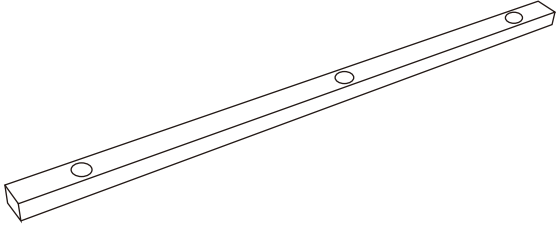


L: 33.86 inch

2 PCS

BOARD IDENTIFICATION

Y

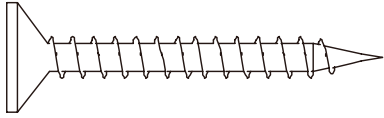


L: 23.43 inch

1 PC

PART LIST

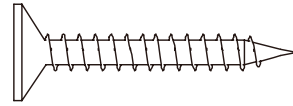
S1



M3x30mm

64 PCS

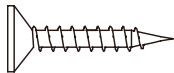
S2



M3x25mm

31 PCS

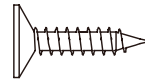
S3



M2x12mm

32 PCS

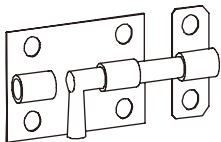
S4



M2.5x10mm

16 PCS

S5



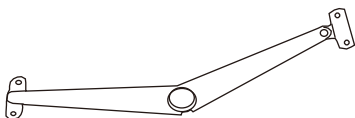
2 PCS

S6



2 PCS

S7



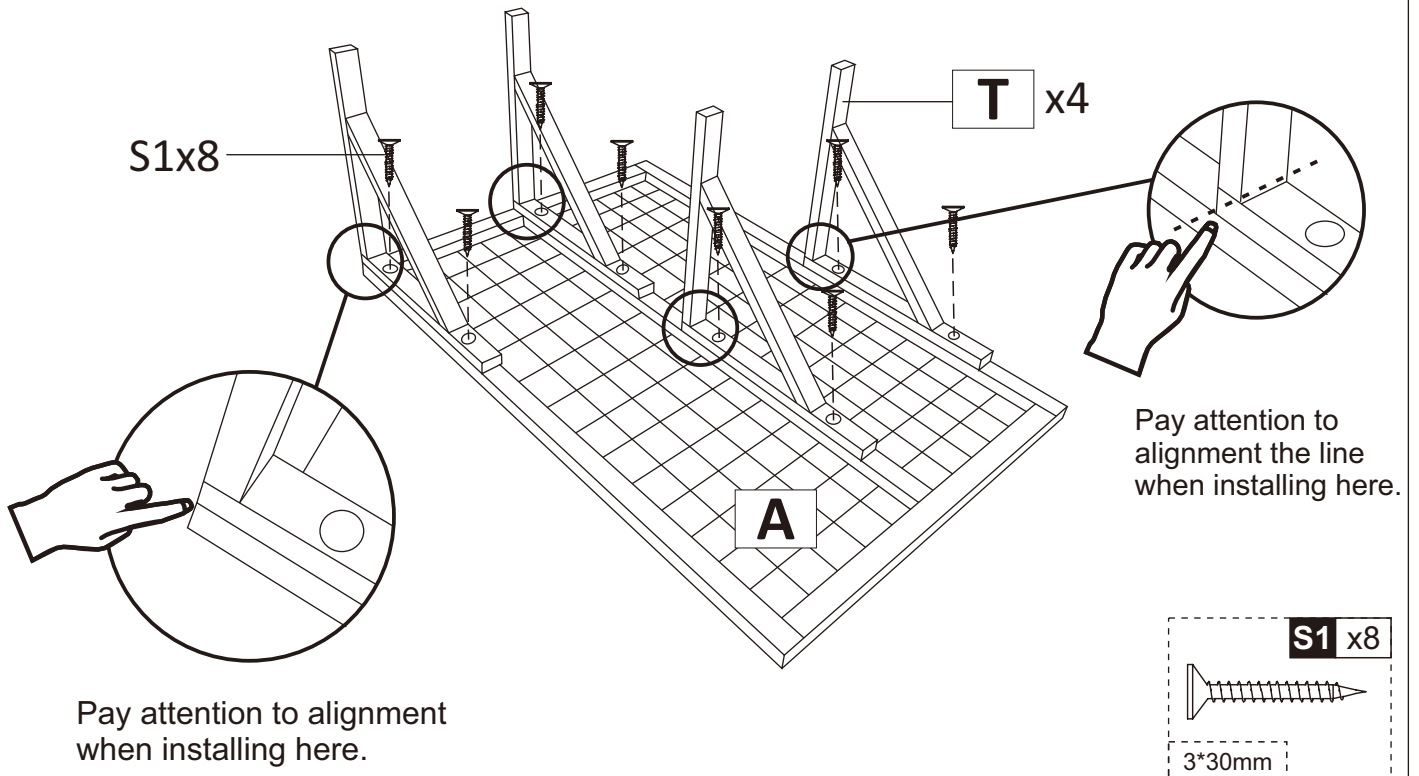
2 PCS

S8

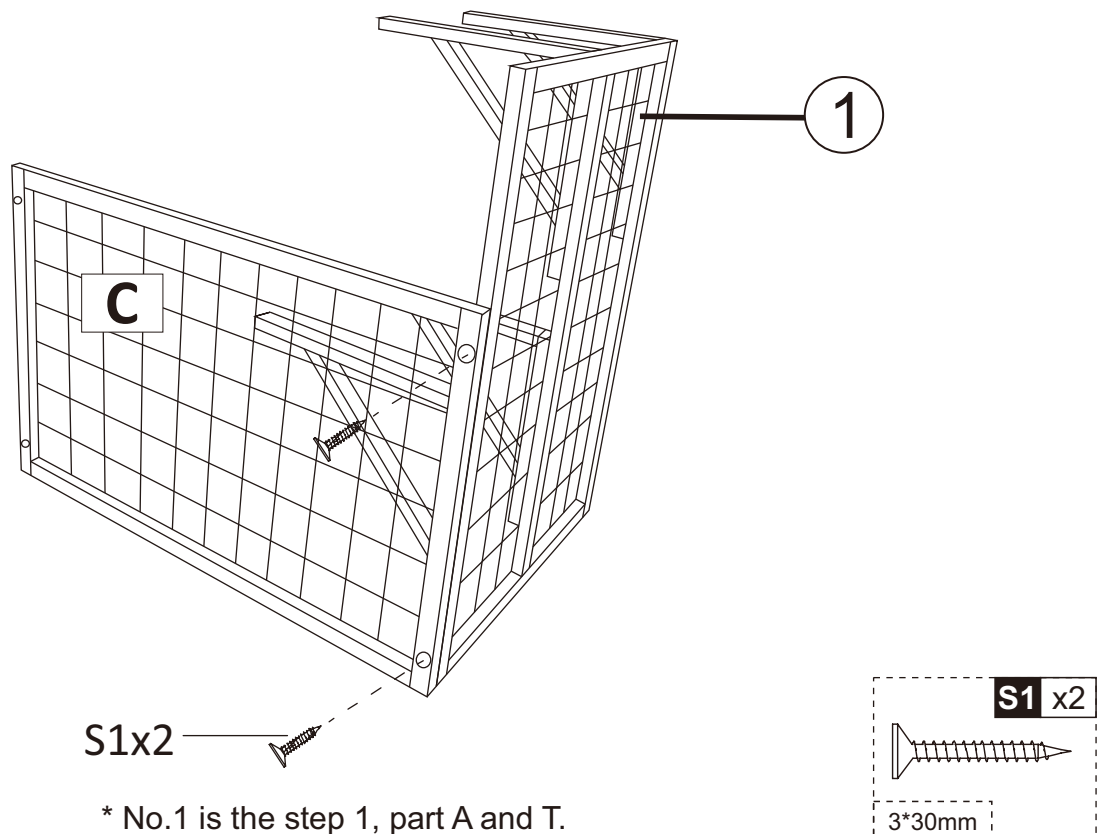


2 PCS

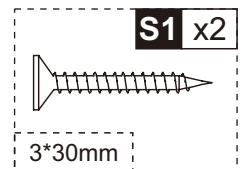
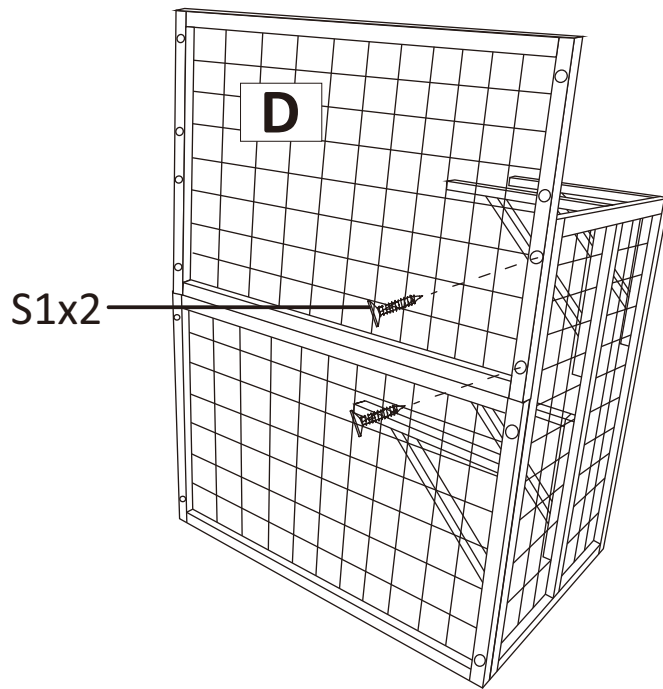
STEP 1



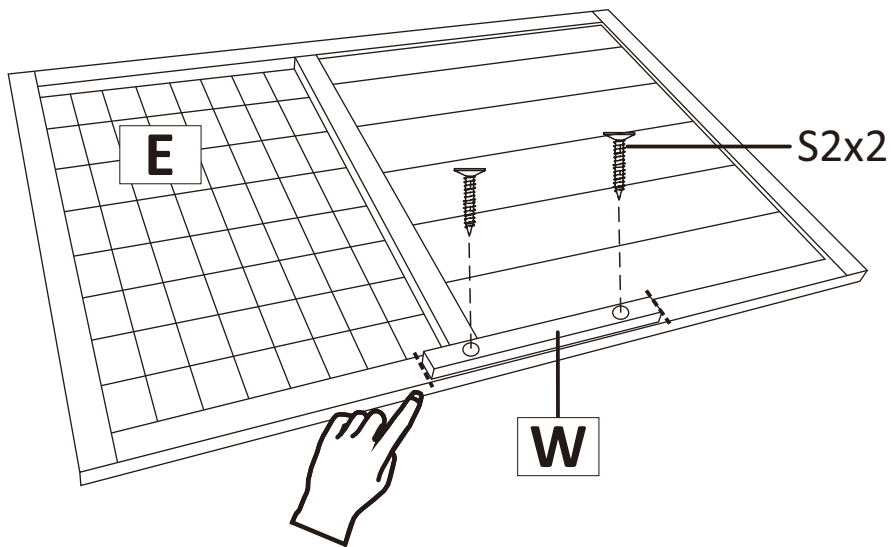
STEP 2



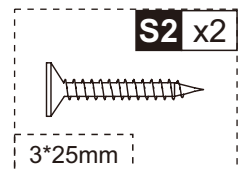
STEP 3



STEP 4

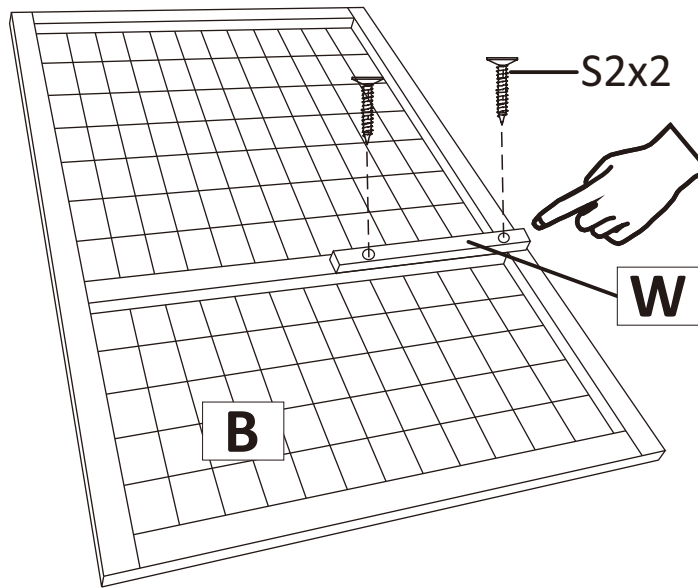


Pay attention to alignment
the line when installing here.

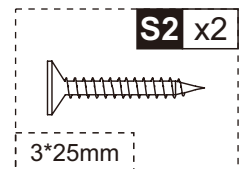


S2 and part W needs to be installed on the back side of part E.

STEP 5

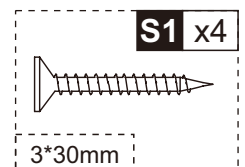
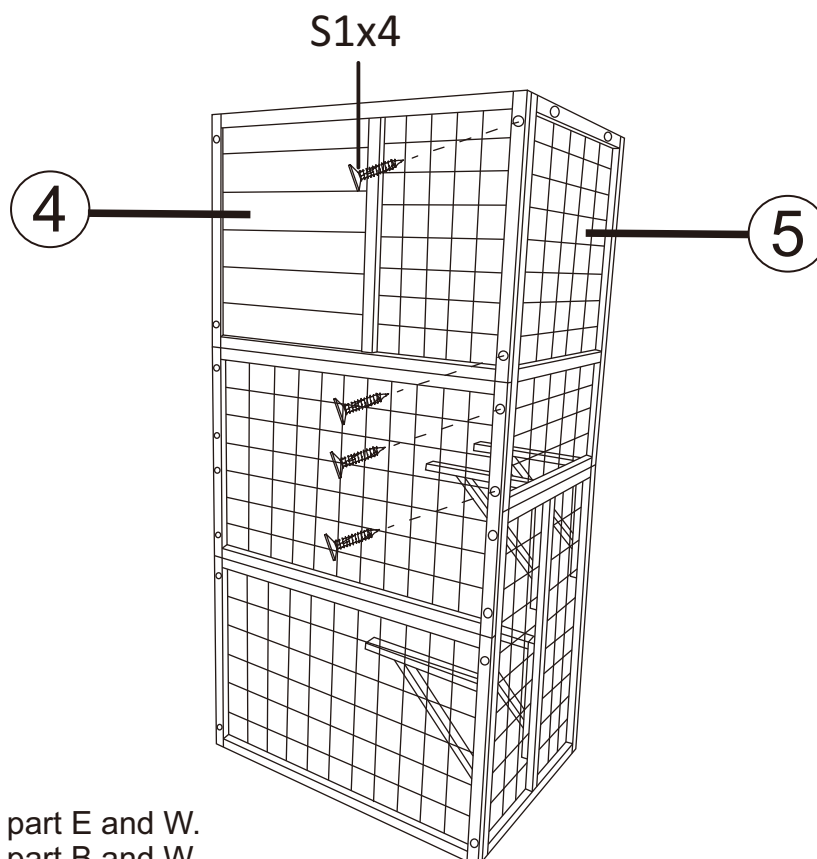


Pay attention to alignment when installing here.



S2 and part W needs to be installed on the back side of part B.

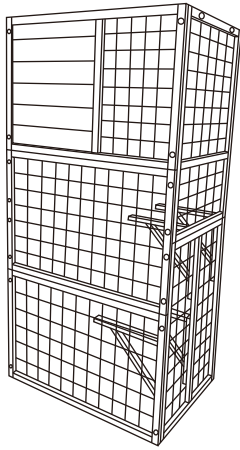
STEP 6



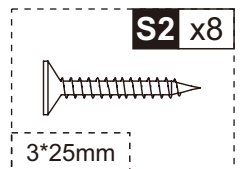
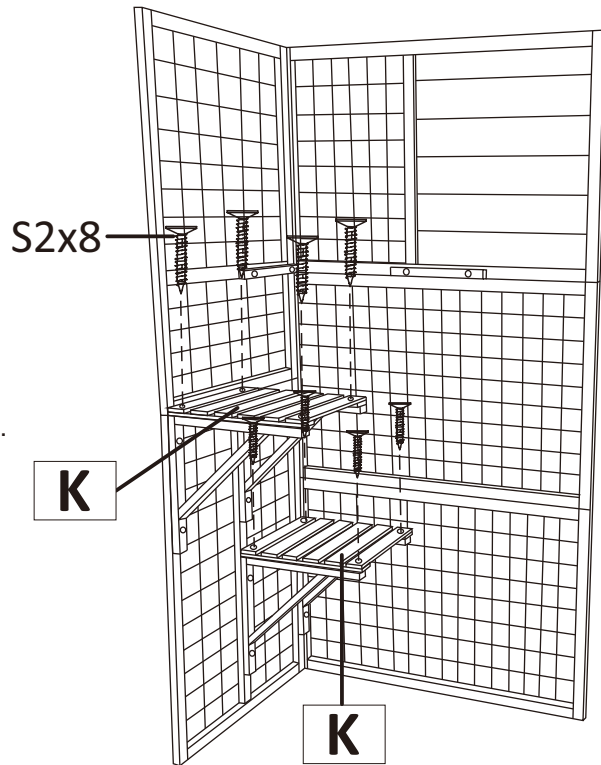
* No.4 is the step 4, part E and W.

* No.5 is the step 5, part B and W.

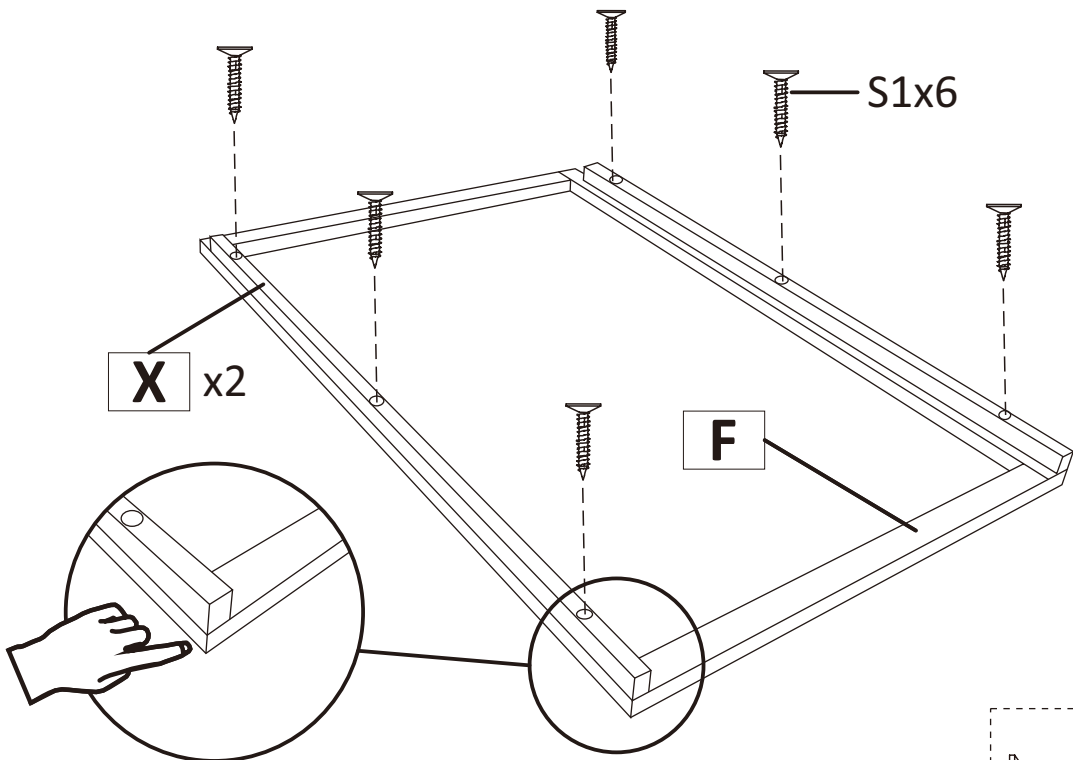
STEP 7



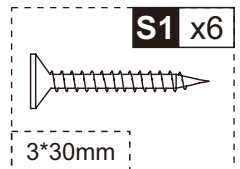
Turn to front side.



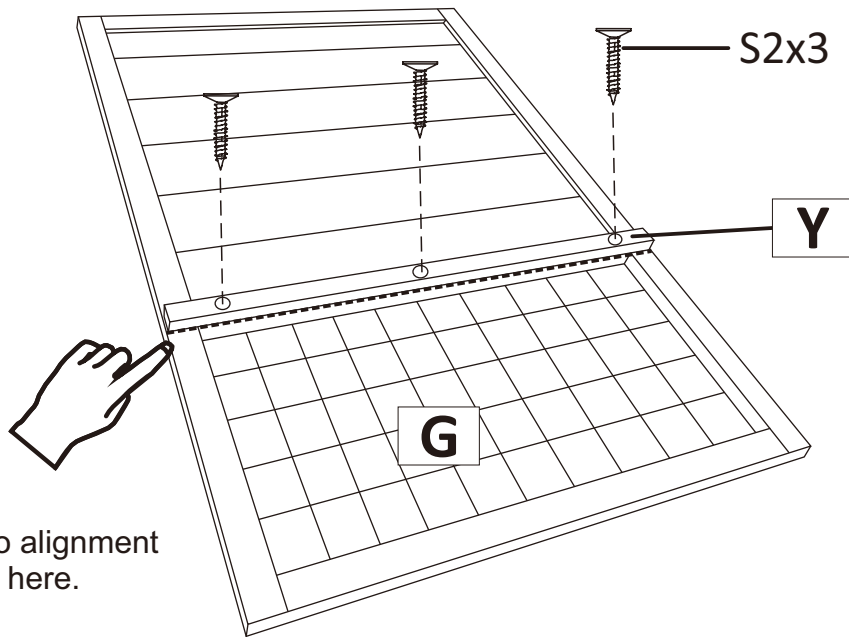
STEP 8



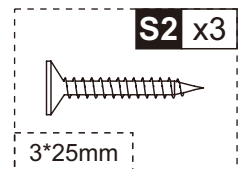
Pay attention to alignment when installing here.



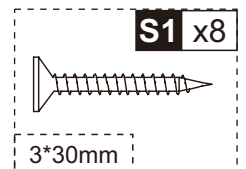
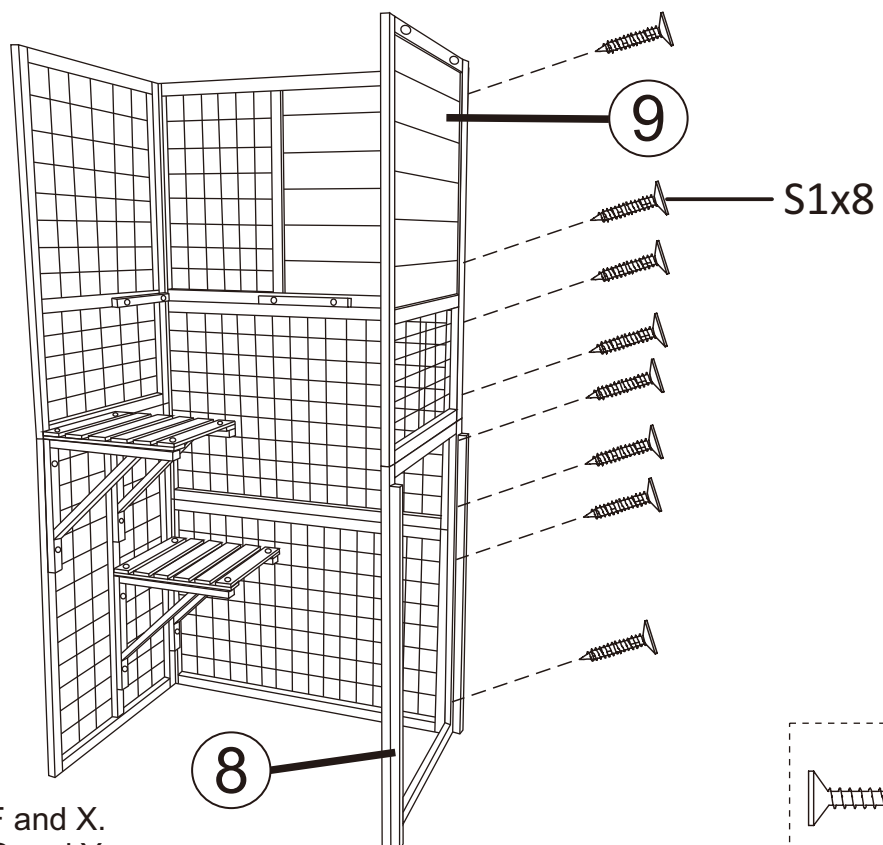
STEP 9



Pay attention to alignment when installing here.

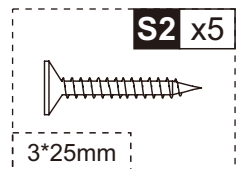
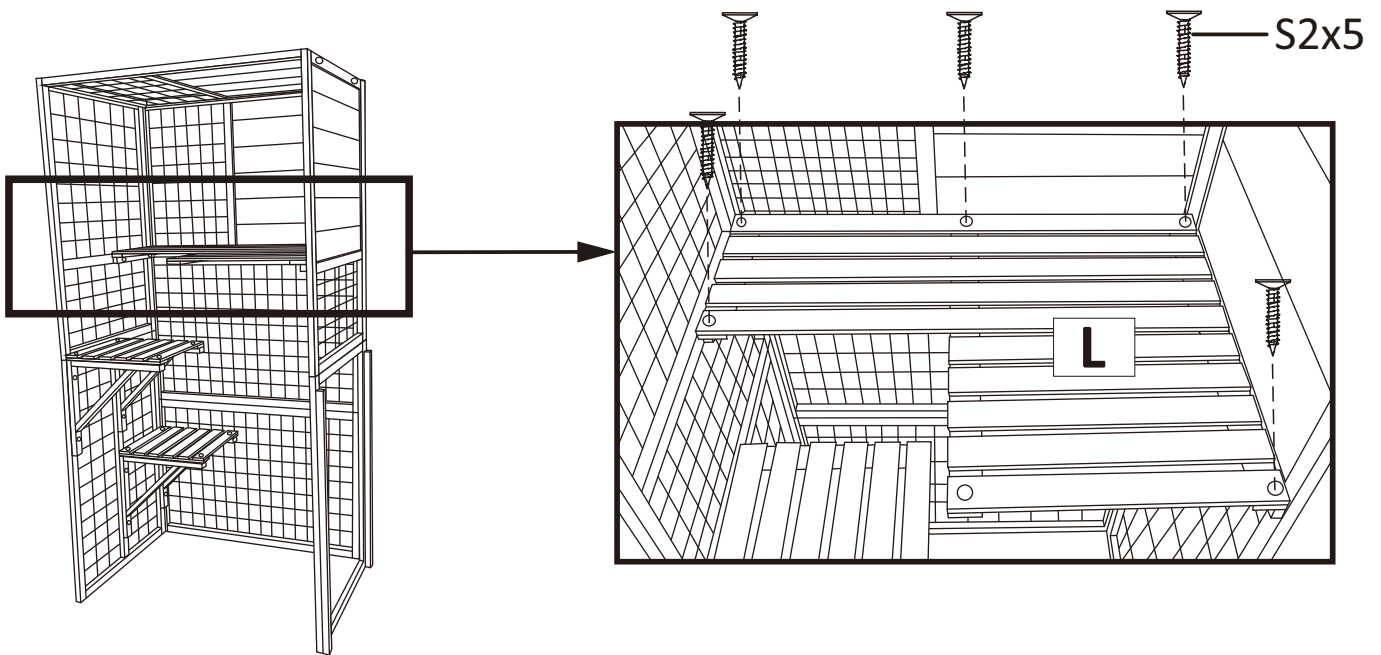


STEP 10

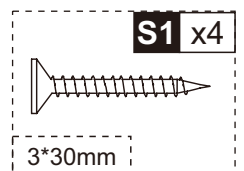
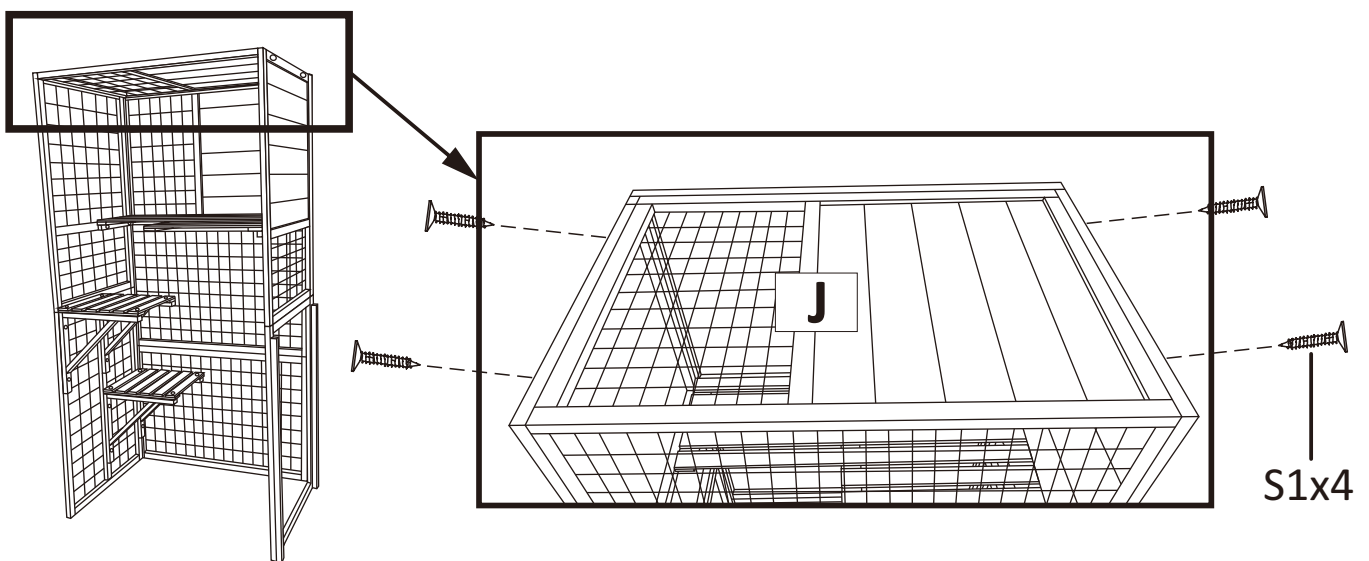


- * No.8 is the step 8, part F and X.
- * No.9 is the step 9, part G and Y.

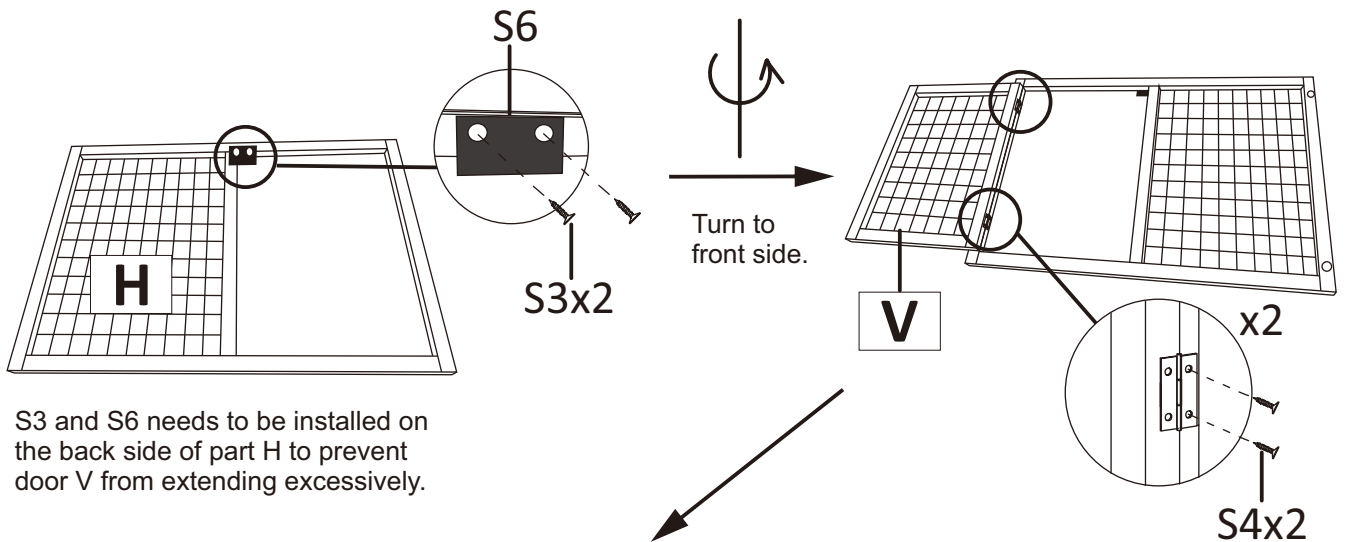
STEP 11



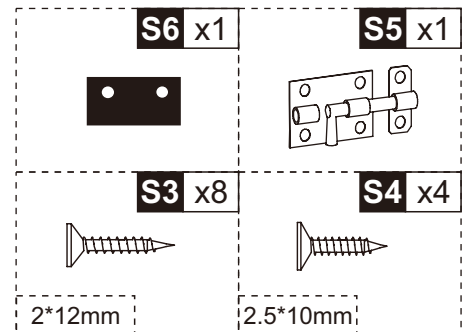
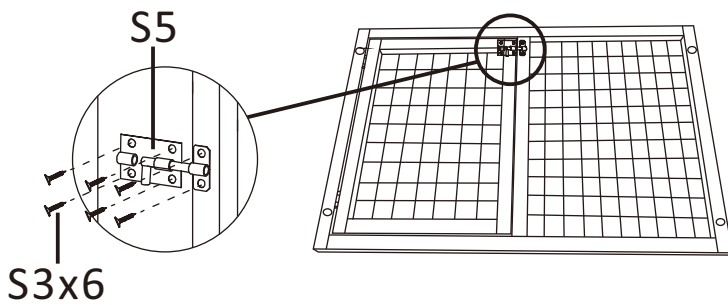
STEP 12



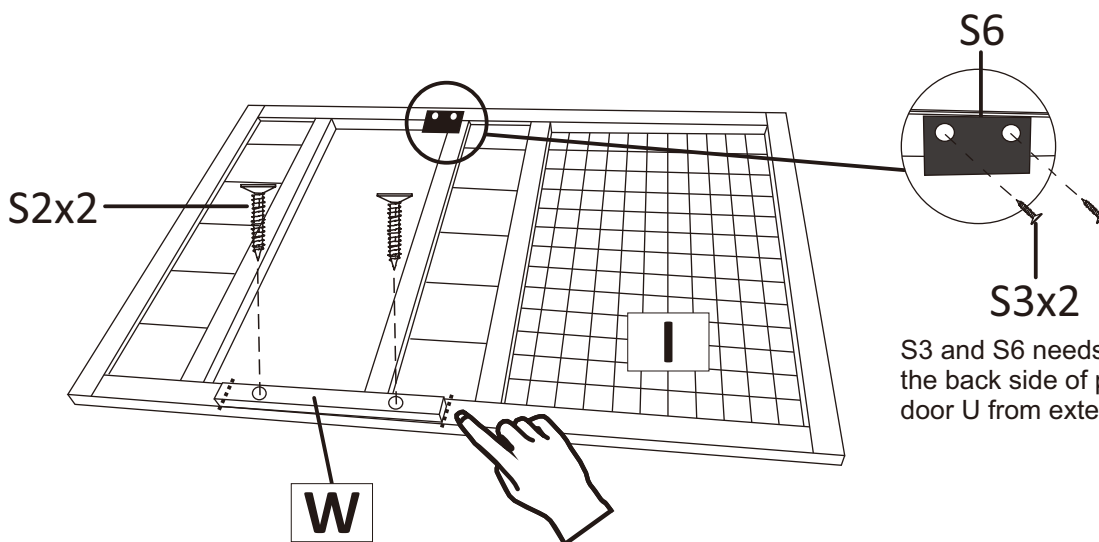
STEP 13



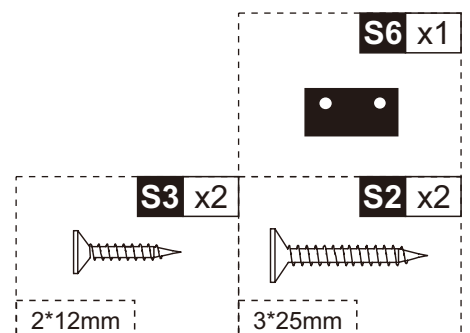
S3 and S6 needs to be installed on the back side of part H to prevent door V from extending excessively.



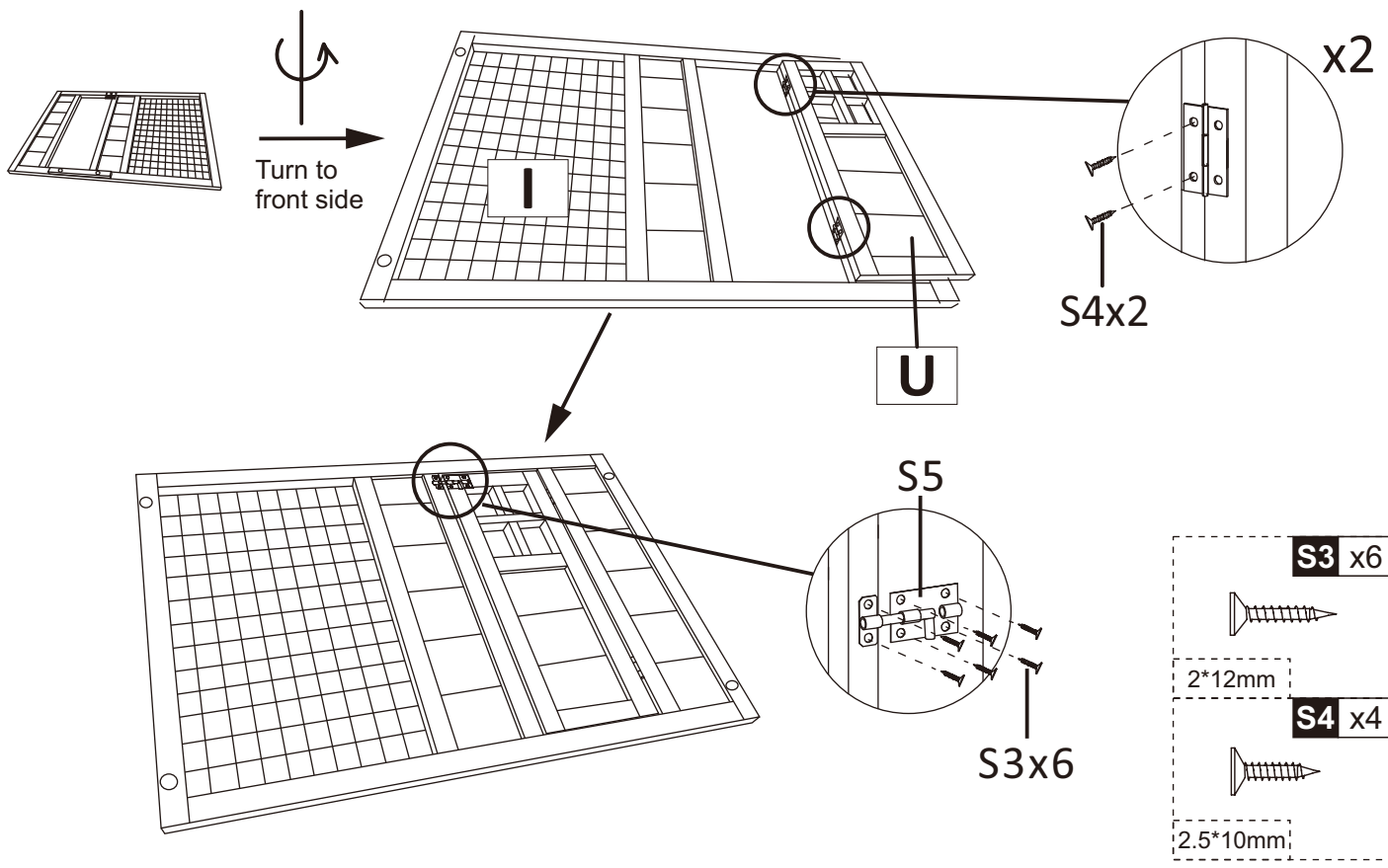
STEP 14



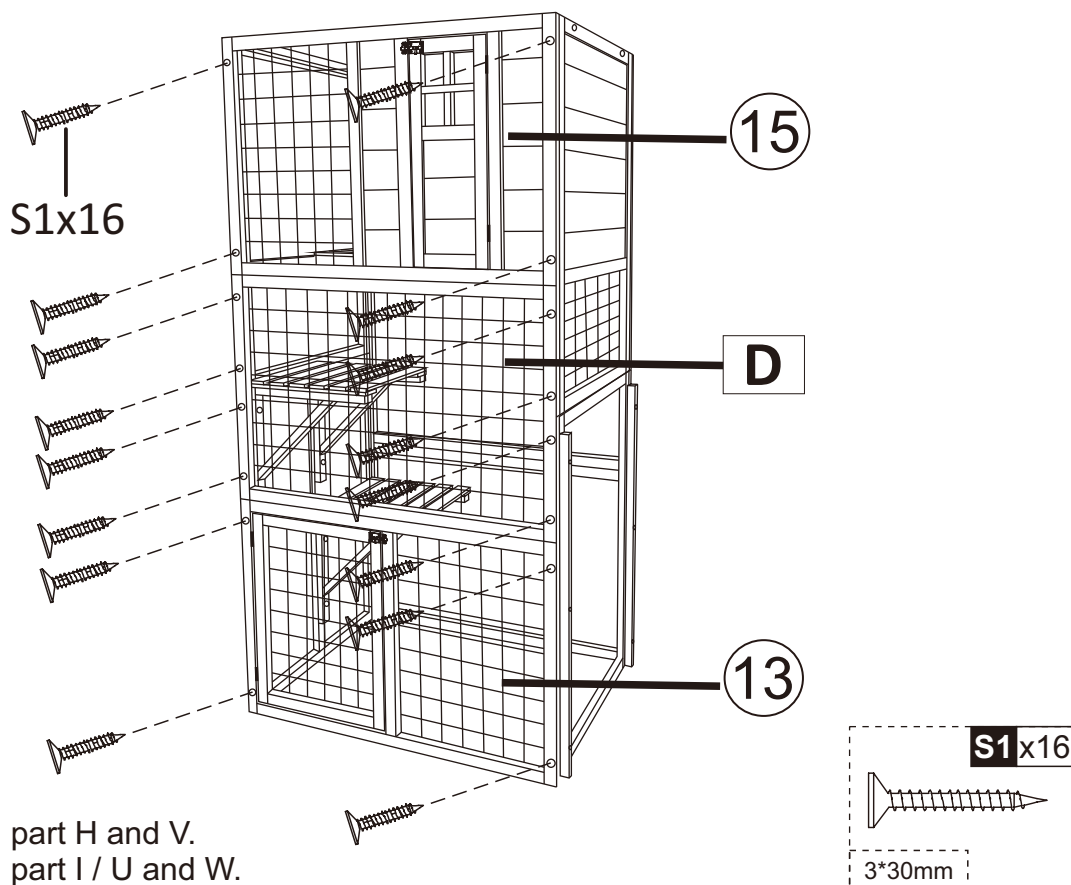
Pay attention to alignment the line when installing here.



STEP 15

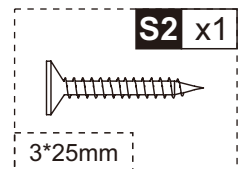
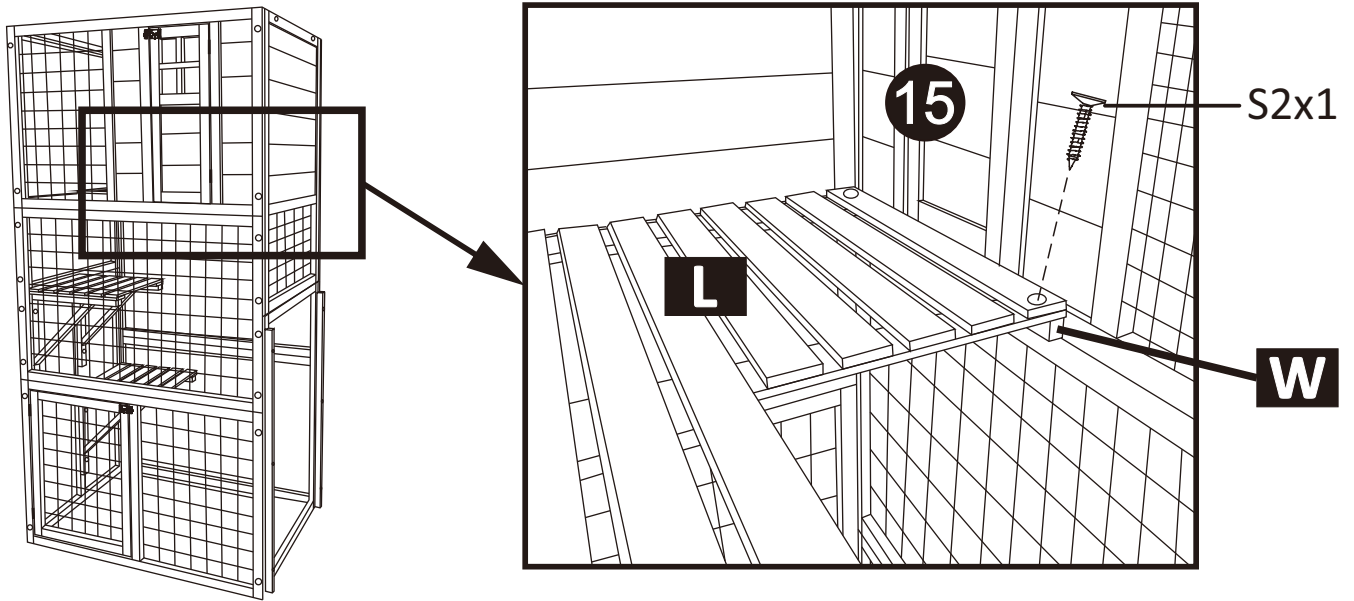


STEP 16

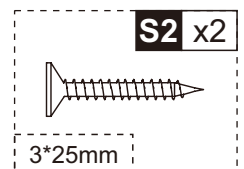
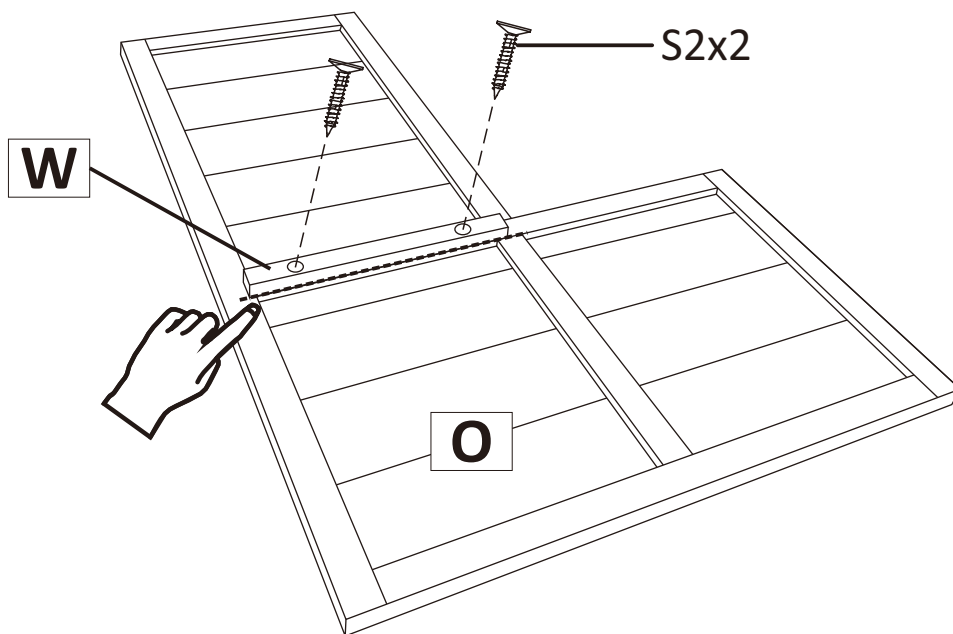


- * No.13 is the step 13, part H and V.
- * No.15 is the step 15, part I / U and W.

STEP 17

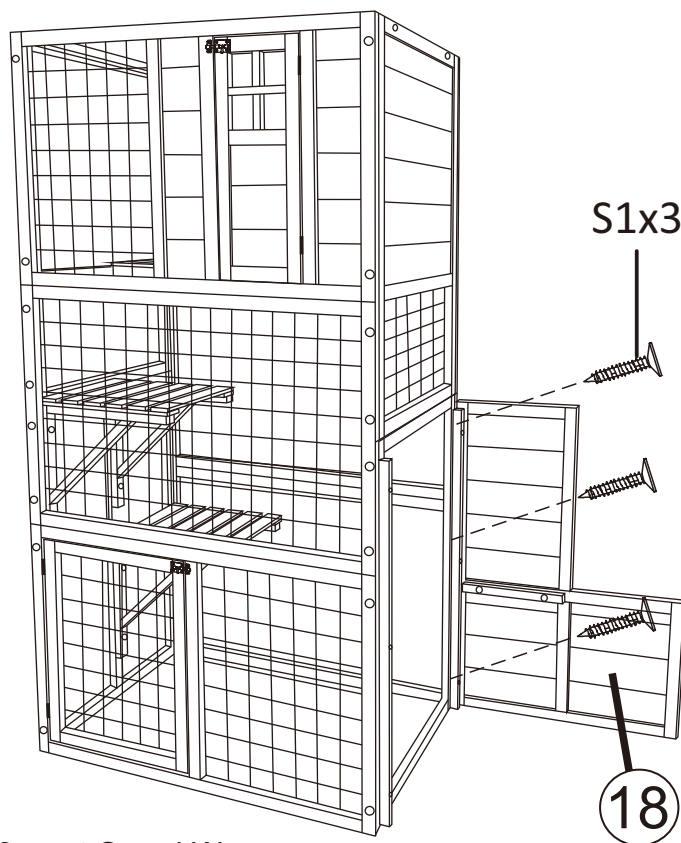


STEP 18



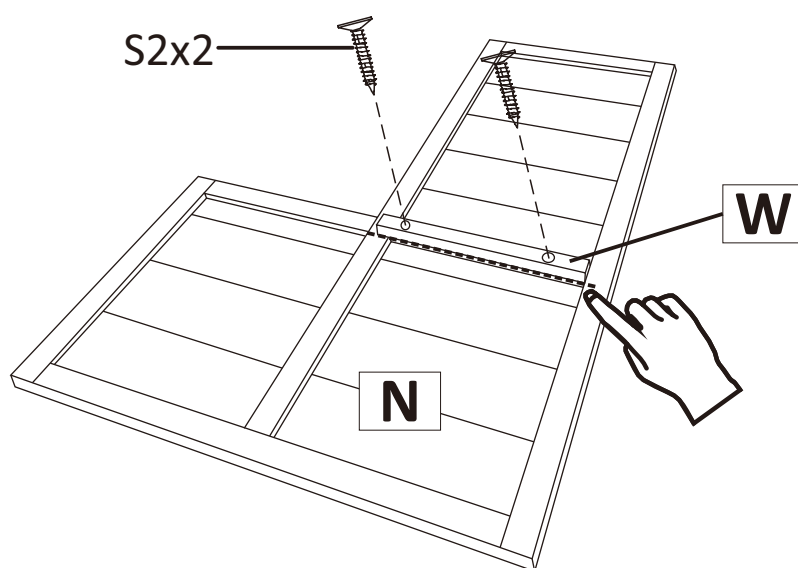
- * Pay attention to alignment when installing here.
- * S2 and part W needs to be installed on the back side of part O.

STEP 19



* No.18 is the step 18, part O and W.

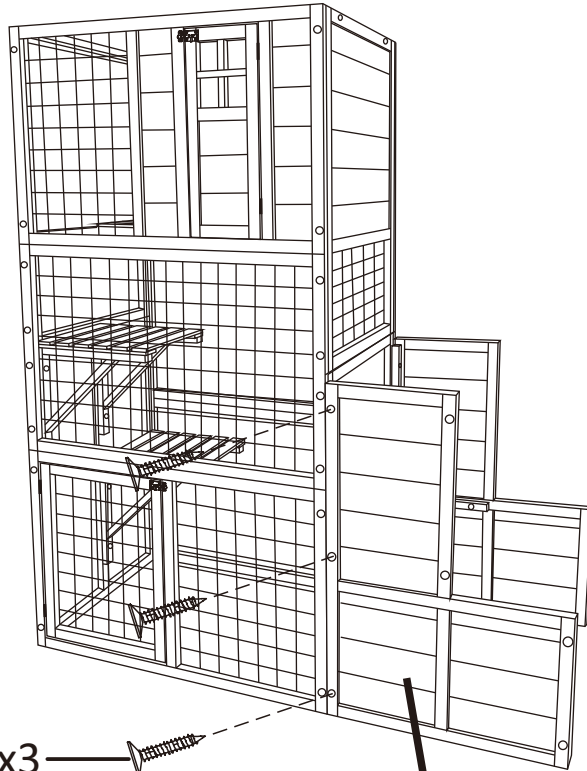
STEP 20



* Pay attention to alignment when installing here.

* S2 and part W needs to be installed on the back side of part N.

STEP 21



S1x3

20

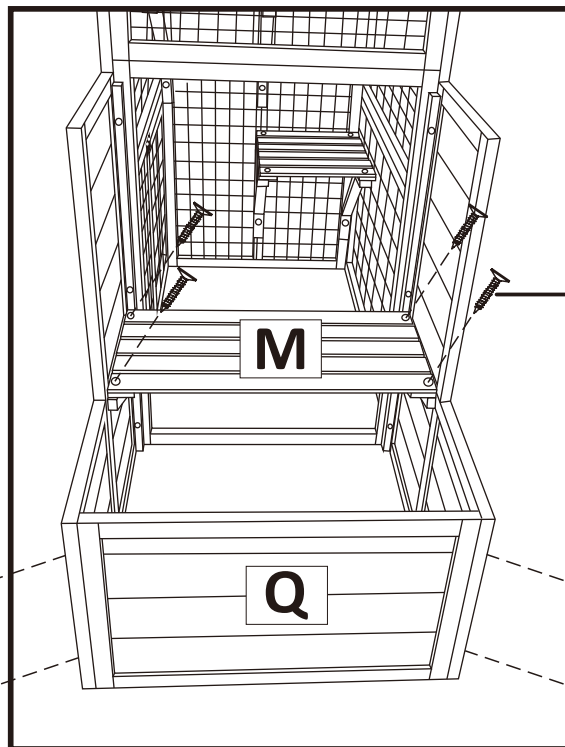
* No.20 is the step 20, part N and W.

S1 x3



3*30mm

STEP 22

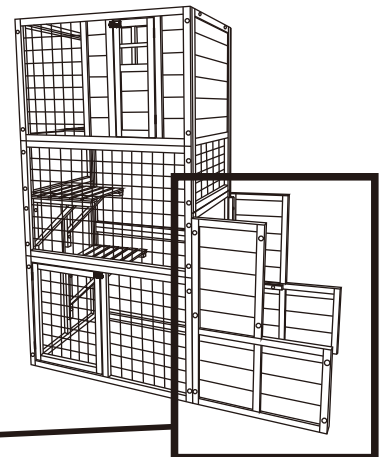


S2x4

M

Q

S1x4



S2 x4



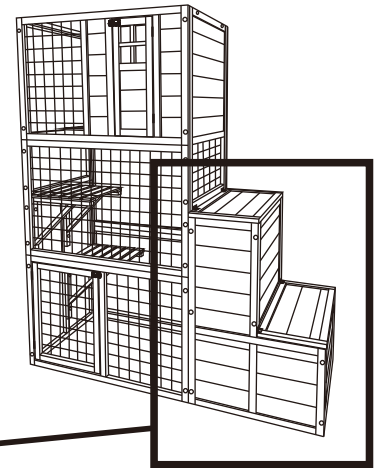
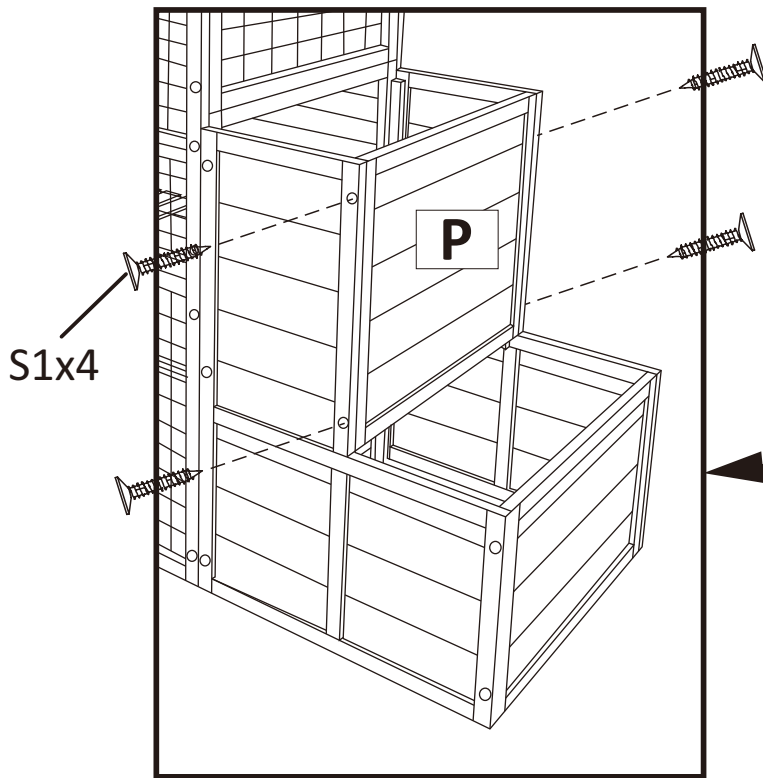
3*25mm

S1 x4



3*30mm

STEP 23

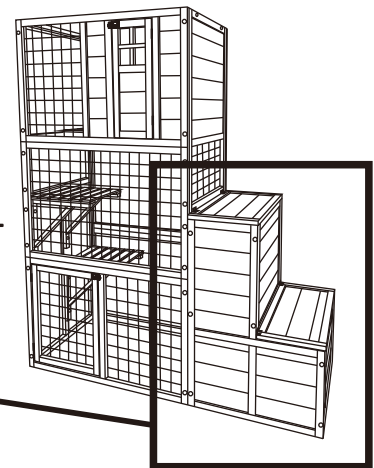
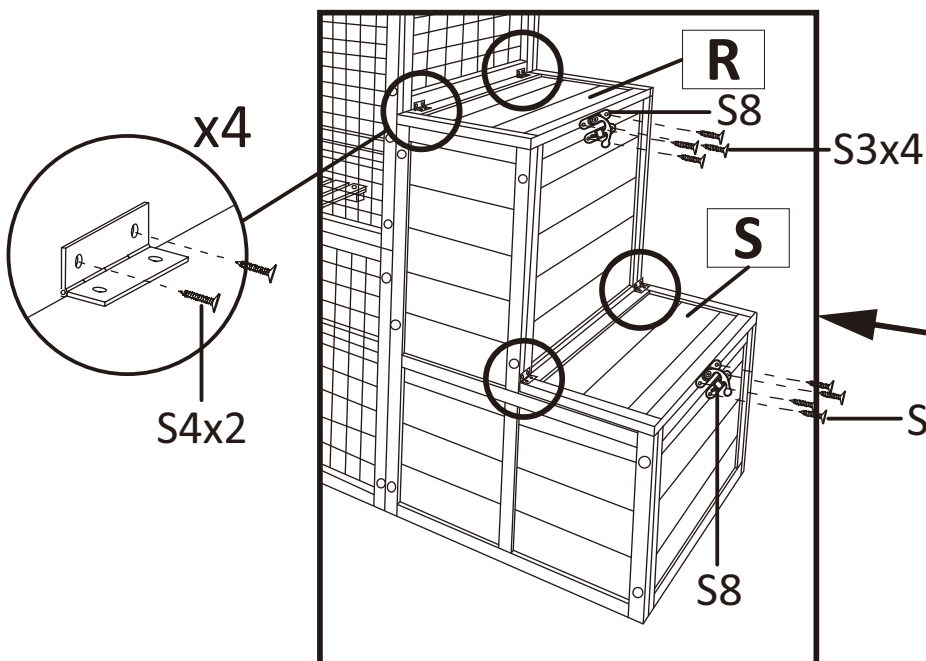


S1 x4



3*30mm

STEP 24



S8 x2



S3 x8



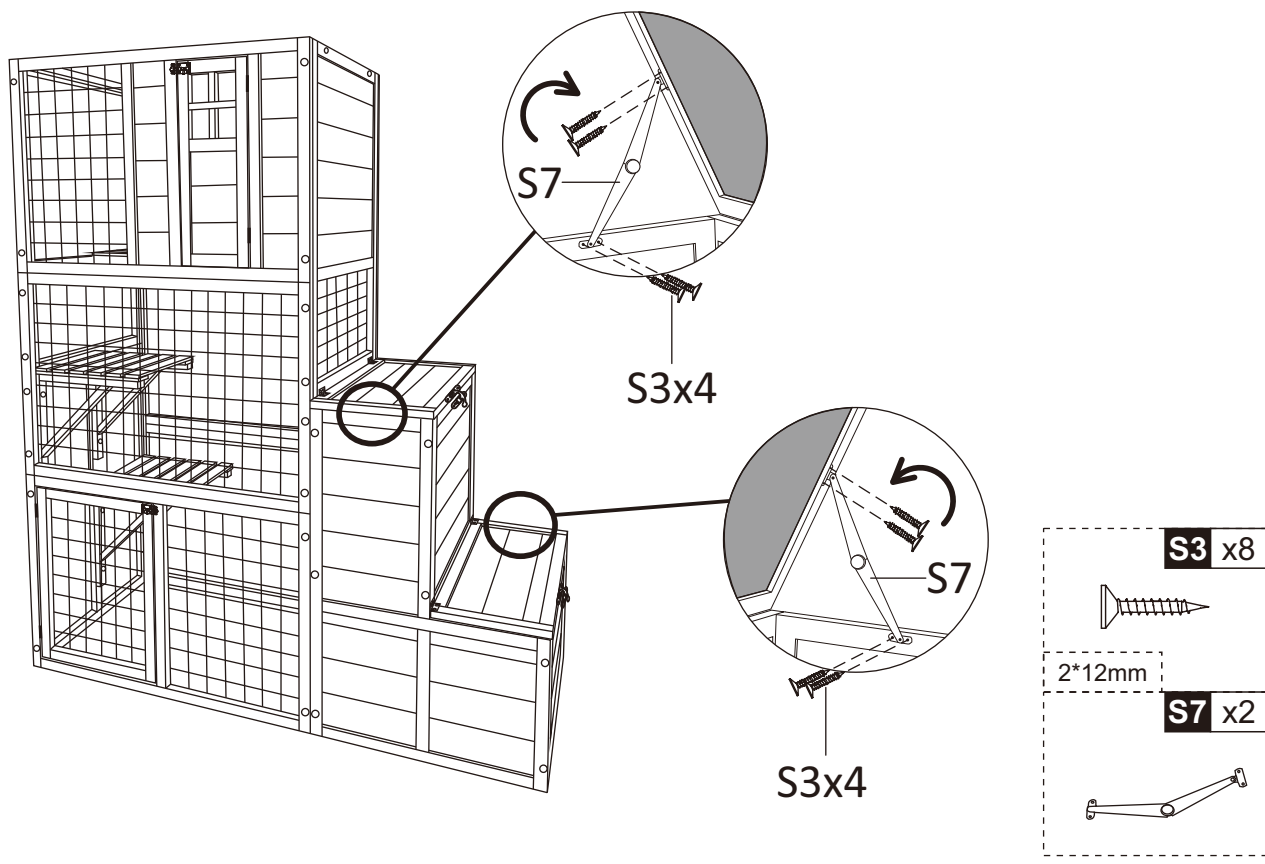
2*12mm

S4 x8



2.5*10mm

STEP 25



DONE

