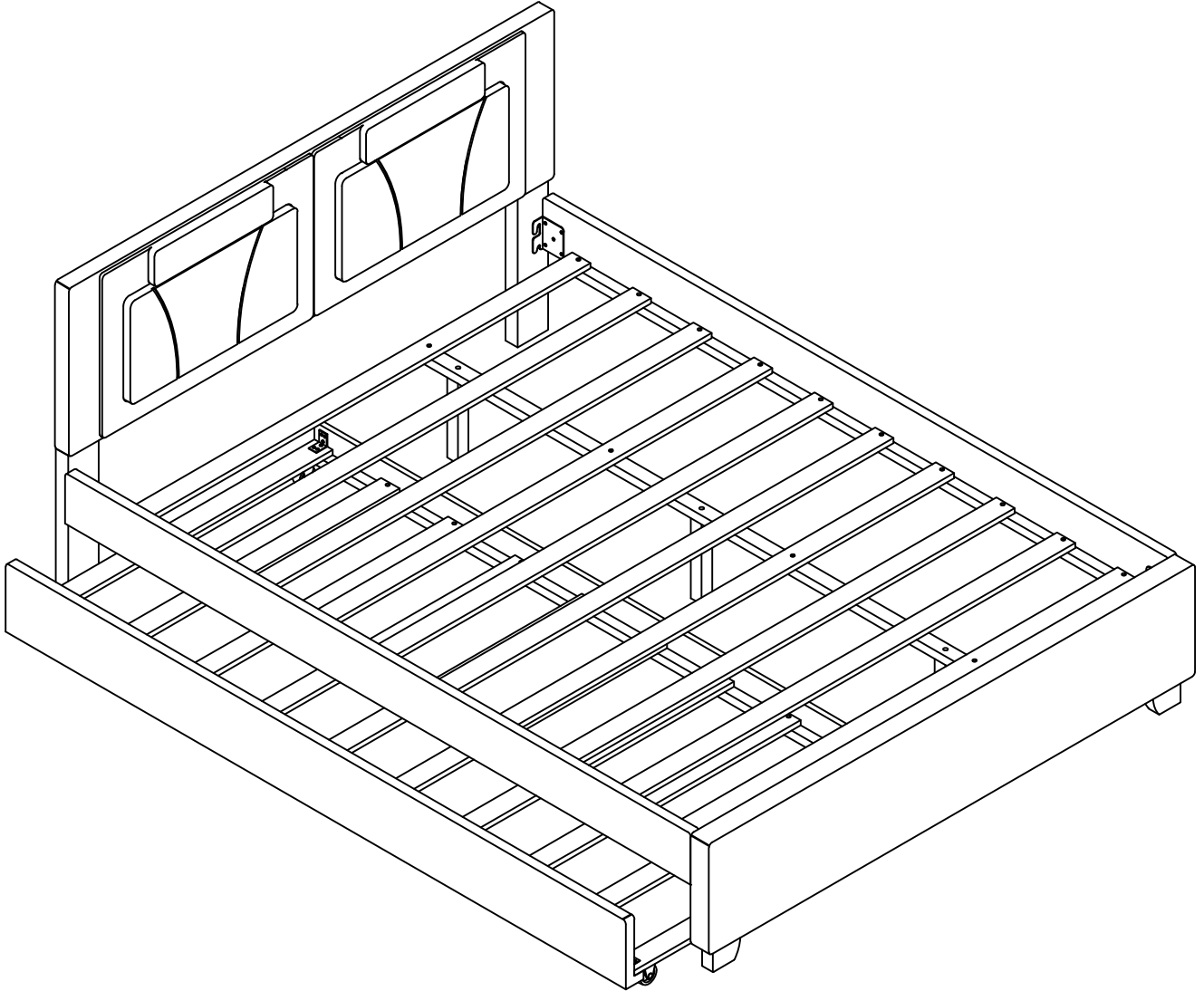


ASSEMBLY INSTRUCTIONS

WF 319025/WF 319026



IMPORTANT NOTE

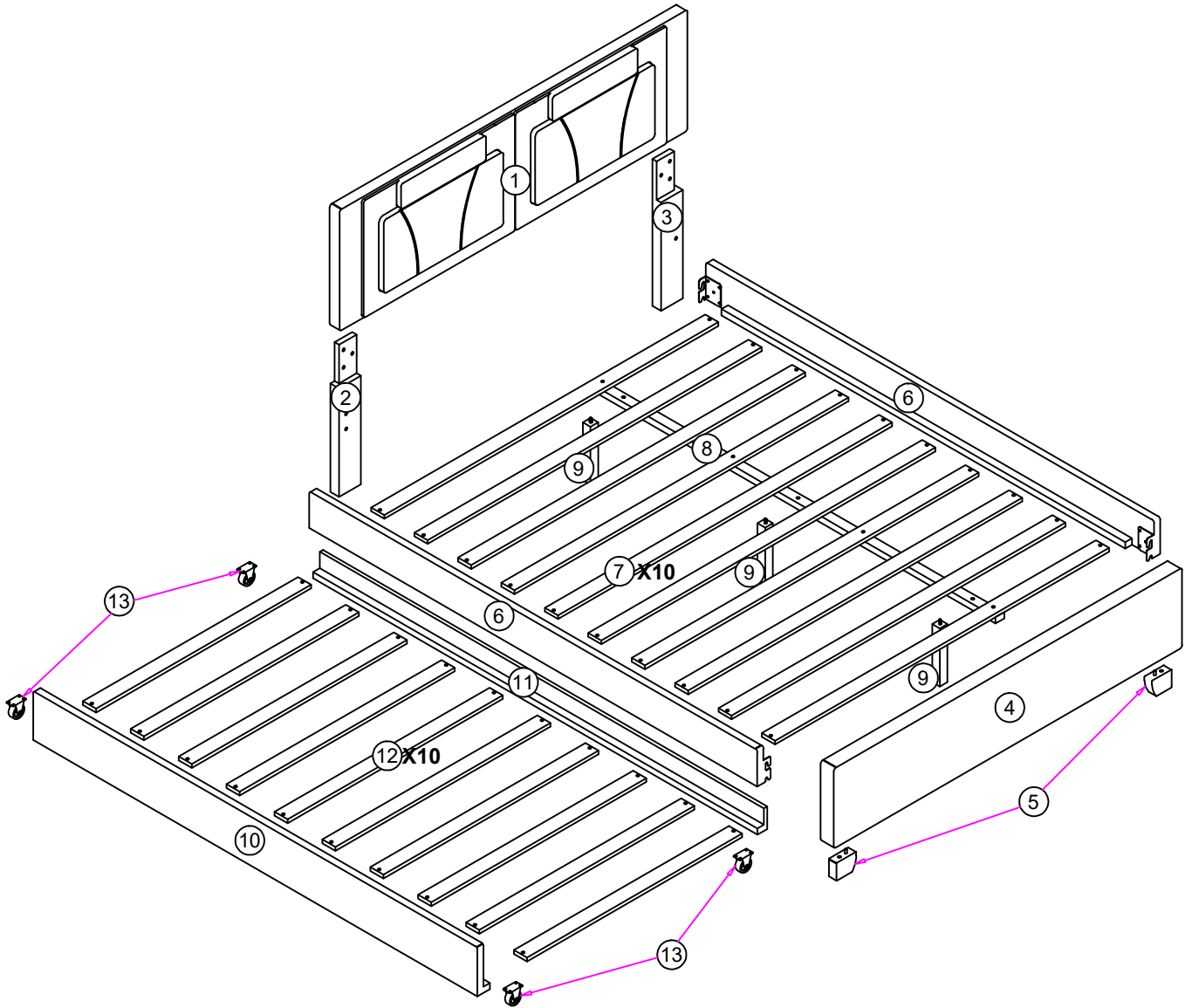
****PLACE ALL PARTS ON A CLEAN AND SMOOTH SURFACE SUCH AS A RUG OR CARPET TO AVOID THE PARTS FROM BEING SCRATCHED**

**** BEFORE YOU BEGIN , KINDY FOLLOW THE ASSEMBLY INSTRUCTIONS STEP BY STEP**

****DO NOT TIGHTEN ALL SCREWS AND BOLTS UNTIL THE BED IS FULLY SET-UP**

ASSEMBLY INSTRUCTIONS

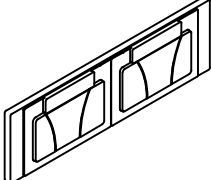


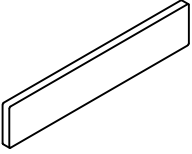

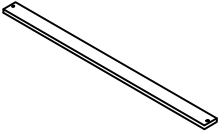

WF 319025/WF 319026



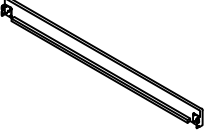
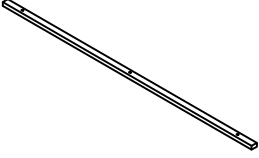

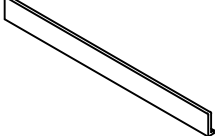
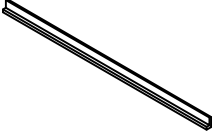
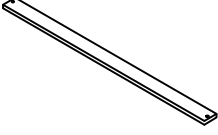
ASSEMBLY INSTRUCTION

WF 319025/WF 319026

PART LIST IN: WF 319025

<p>1</p>  <p>Headboard Panel (1 pc)</p>	<p>2</p>  <p>Left Headboard Leg (1 pc)</p>	<p>3</p>  <p>Right Headboard Leg (1 pc)</p>
<p>4</p>  <p>Footboard Panel (1 pc)</p>	<p>5</p>  <p>Legs (2 pcs)</p>	<p>7</p>  <p>Roll Slat (10 pcs) 1530*60*15</p>
<p>13</p>  <p>Wheels (4 pcs) 59x42x66mm</p>		









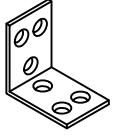
PART LIST IN: WF319026

<p>6</p>  <p>Side Rail (2pcs)</p>	<p>8</p>  <p>Center Rail (1pc)</p>	<p>9</p>  <p>Support leg (3pcs)</p>
<p>10</p>  <p>Trundle Front Panel (1pc)</p>	<p>11</p>  <p>Trundle Back Panel (1pc)</p>	<p>12</p>  <p>Roll Slat (10 pcs) 985*60*15</p>

ASSEMBLY INSTRUCTION

WF 319025/WF319026

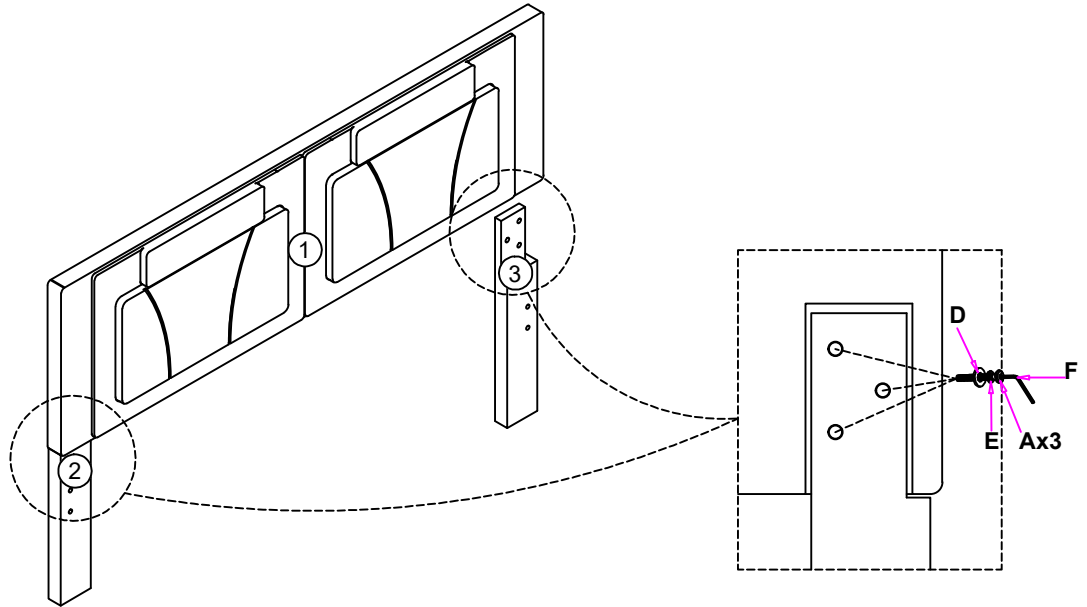
HARDWARE LIST IN WF 319025





<p>A</p>  <p>Long Bolt (6pcs) (5/16 "X38mm)</p>	<p>B</p>  <p>Short Bolt (8pcs) (5/16 "X25mm)</p>	<p>C</p>  <p>Long Bolt (2pcs) (5/16 "X50mm)</p>
<p>D</p>  <p>Flat Washer (16pcs)</p>	<p>E</p>  <p>Spring Washer (16pcs)</p>	<p>F</p>  <p>Allen Wrench (1pc) (M4x79mmx32mm)</p>
<p>G</p>  <p>Flat Head Screw (40 pcs) (m4x15mm)</p>	<p>H</p>  <p>Flat Head Screw (44pcs) (m4x30mm)</p>	<p>I</p>  <p>L Bracket (4 pcs) (38mmx38mmx25mmx2mm)</p>

ASSEMBLY INSTRUCTIONS

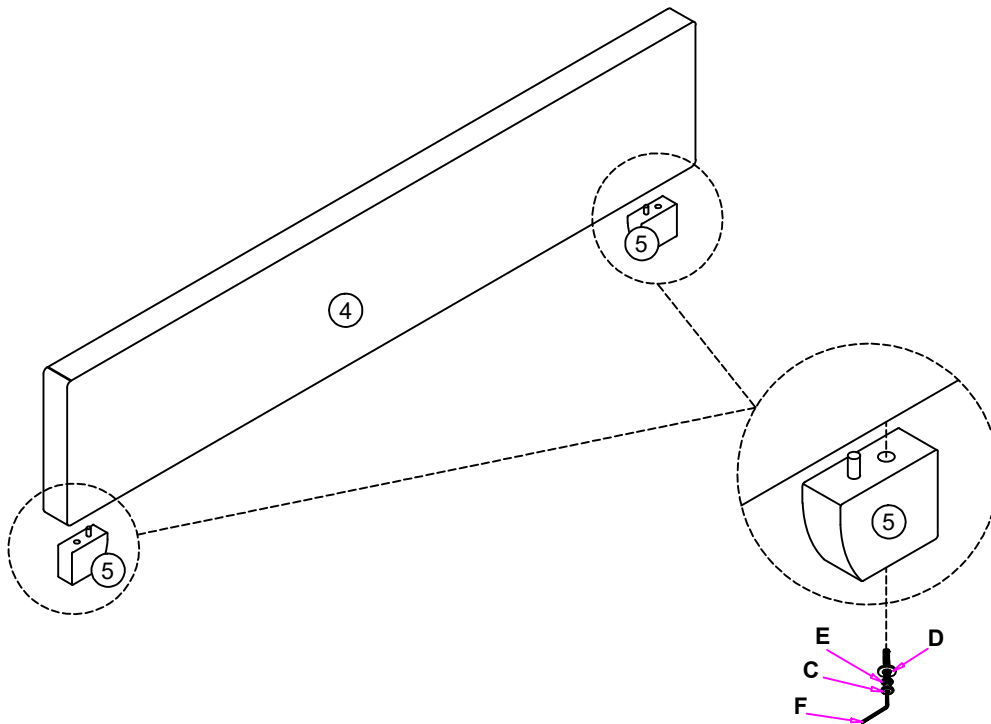
STEP 1





WF 319025/WF319026



A	Bolt (5/16 "X38mm)		6pcs	E	Spring Washer		6pcs
F	Allen Wrench (M4x75mm x32mm)		1pc	D	Flat Washer		6pcs

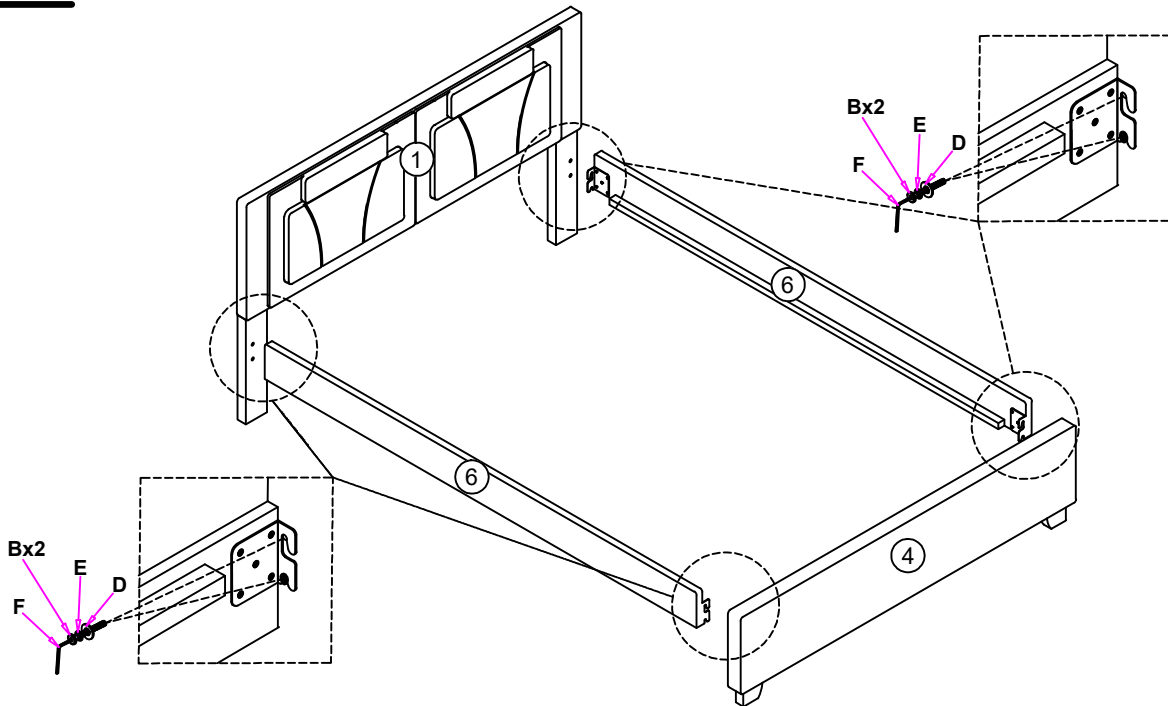
STEP 2







C	Bolt (5/16 "X50mm)		2pcs	D	Flat Washer		2pcs
F	Allen Wrench (M4x75mm x32mm)		1pc	E	Spring Washer		2pcs

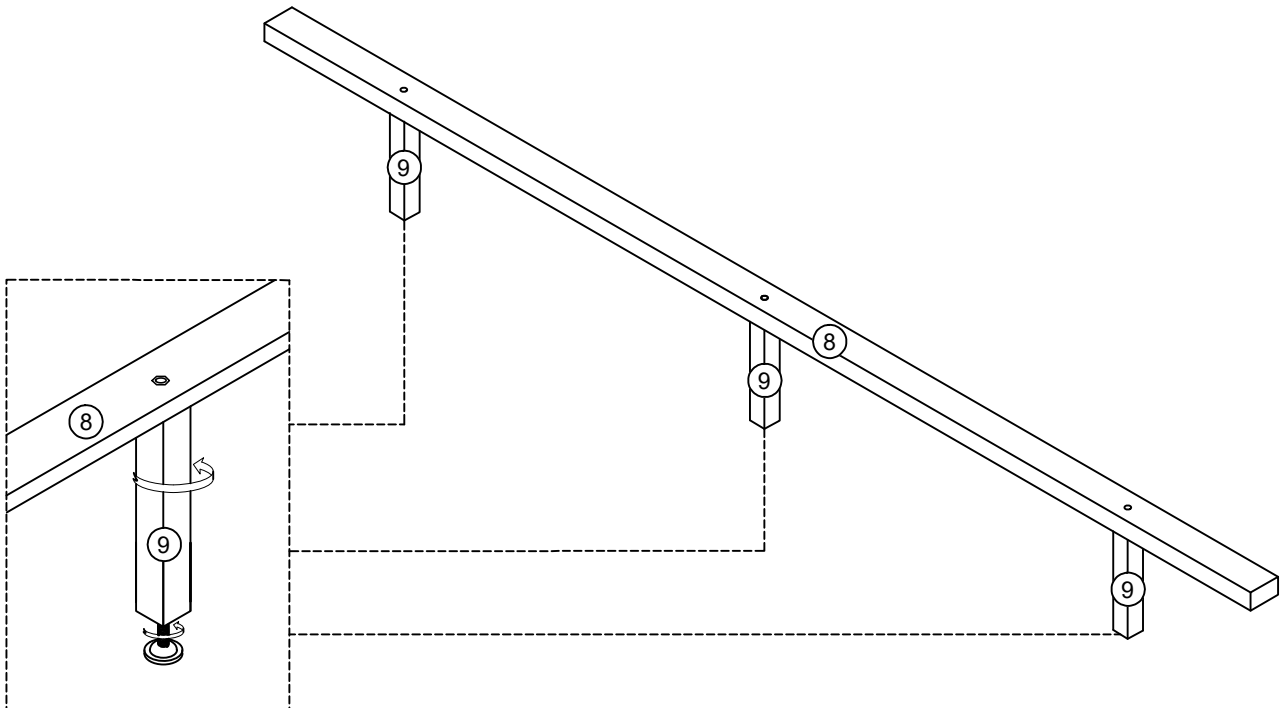
ASSEMBLY INSTRUCTIONS

STEP 3



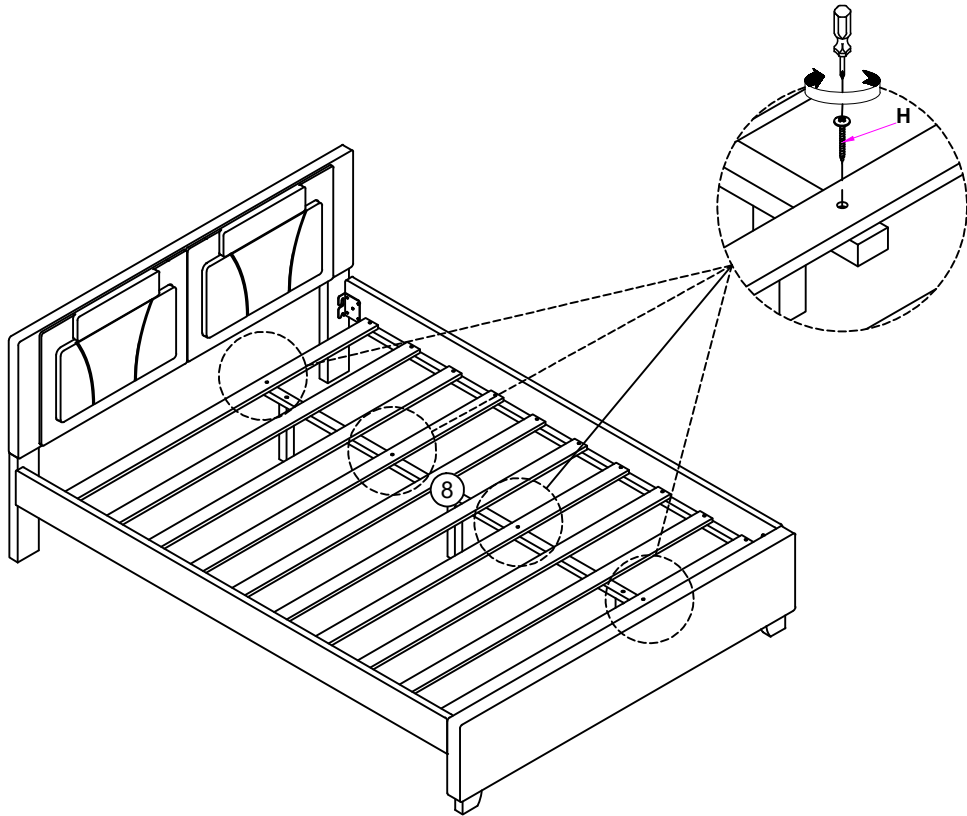
B	Bolt (5/16" X 25mm)		8pcs	D	Flat Washer		8pcs
F	Allen Wrench (M4x75mm x32mm)		1pc	E	Spring Washer		8pcs

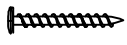
STEP 4



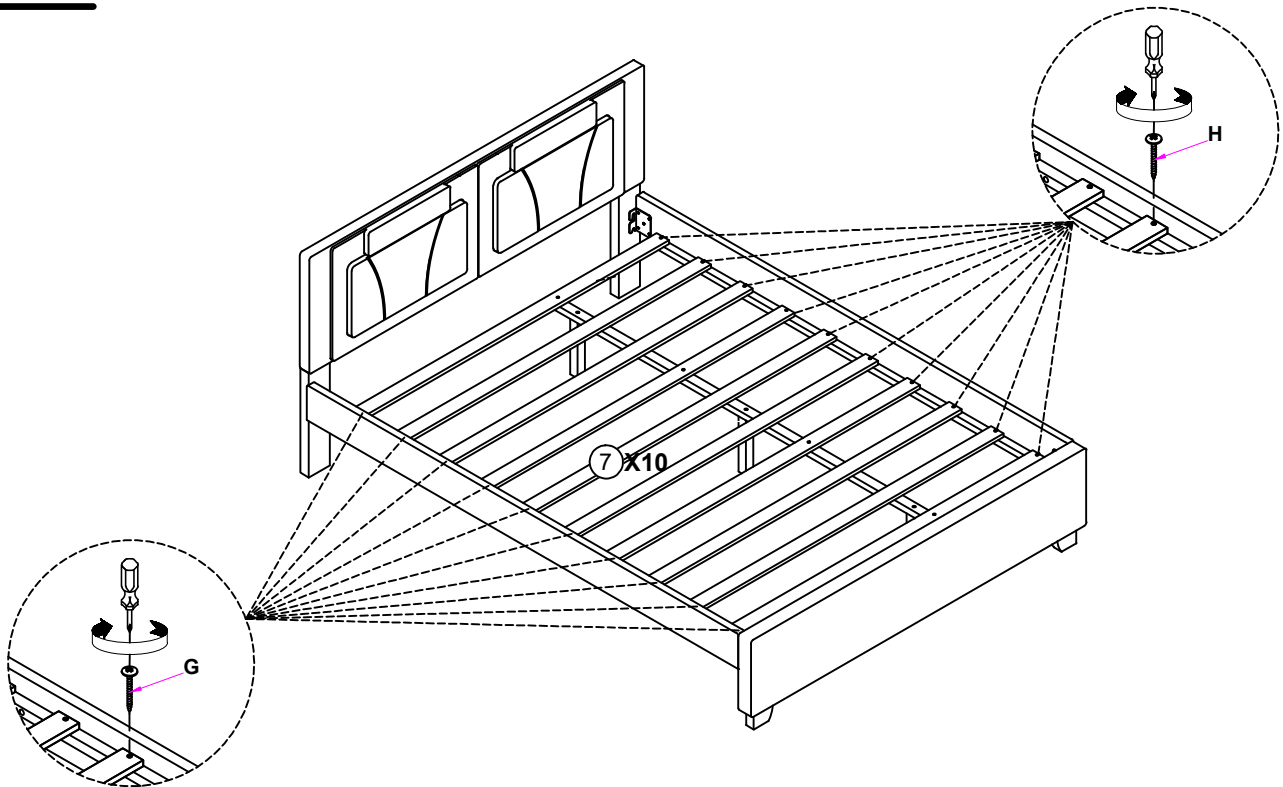
ASSEMBLY INSTRUCTIONS

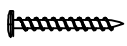
STEP 5



H	Flat Head Screw (m4x30mm)		4pcs
---	------------------------------	---	------

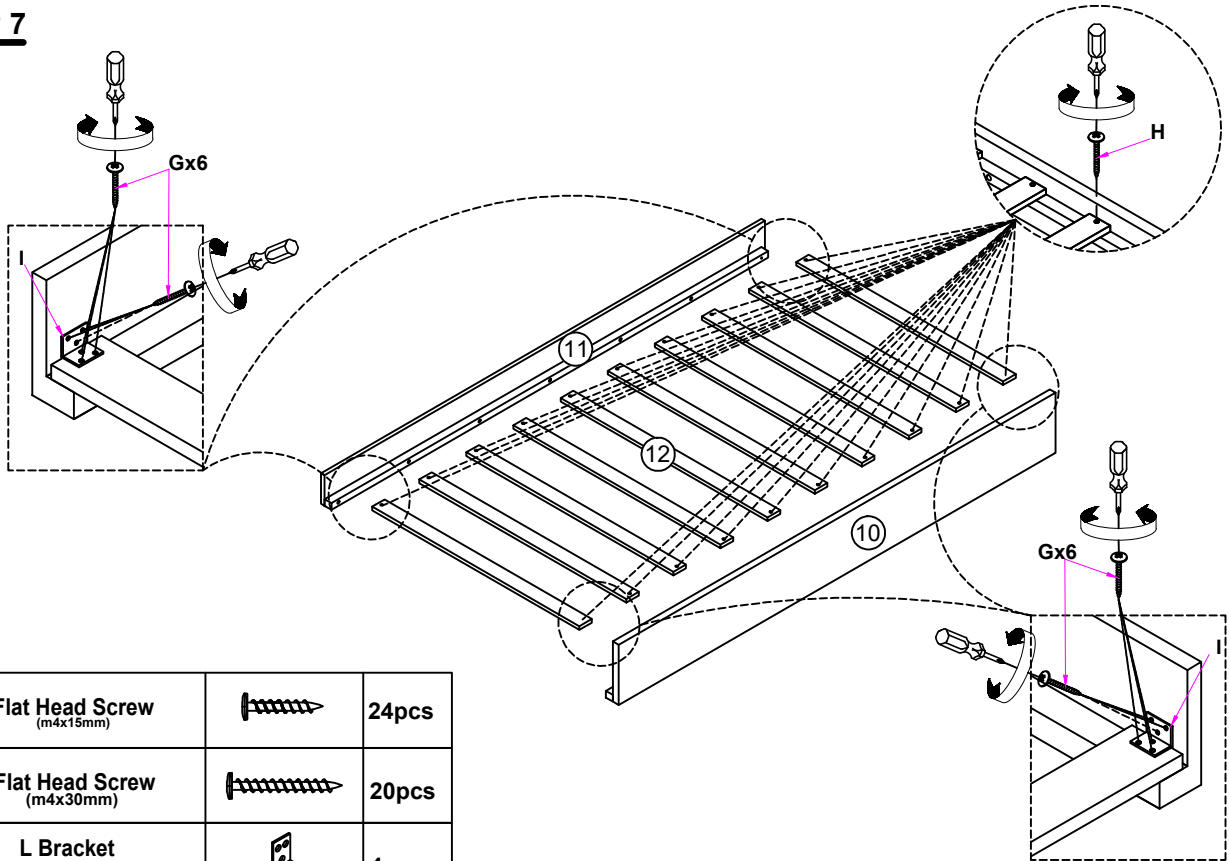
STEP 6

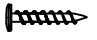
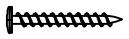



H	Flat Head Screw (m4x30mm)		20pcs
---	------------------------------	---	-------

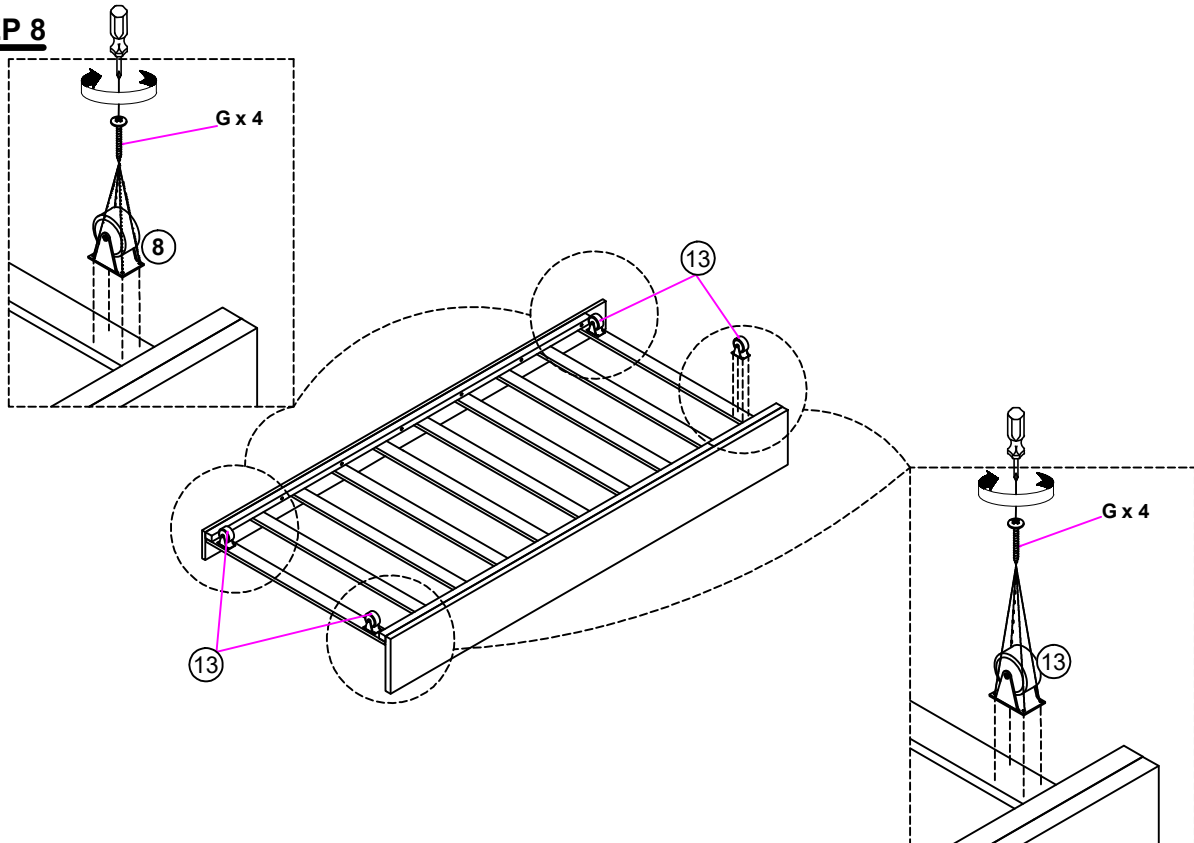
ASSEMBLY INSTRUCTIONS

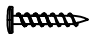
STEP 7



G	Flat Head Screw (m4x15mm)		24pcs
H	Flat Head Screw (m4x30mm)		20pcs
I	L Bracket (38mmx38mmx25mmx2mm)		4pcs

STEP 8



G	Flat Head Screw (m4x15mm)		16pcs
---	------------------------------	---	-------

ASSEMBLY INSTRUCTIONS

STEP 9
COMPLETE

