

INSTALLATION INSTRUCTION

LED Wall Sconce

E-WS-092518&E-WS-092524

E-WS-092530&E-WS-092536

East Grove

• H O M E •

CAUTION: To prevent electrical shock, ensure electricity has been turned off at the circuit breaker before beginning.

- Read all instructions before installing.
- System is intended for installation by a licensed electrician in accordance with the National Electrical Code (NEC) and local regulations.
- When handling the fixture, do not apply pressure to the LEDs. Hold the fixture by the base only.
- Retain installation instructions for future maintenance reference.

WARNING: All parts must be used as indicated in these instructions. This product is designed for use only with the supplied parts and/or accessories designated for use by EastGroveHome. Substitution of parts or accessories not designated for use with this product by EastGroveHome could result in personal injury or property damage, and will void the warranty. Contact an authorized dealer or the manufacturer if any parts are damaged or missing.

MAINTENANCE NOTE: Coastal conditions may cause mineral and residue build-up on the fixture. We recommend that customers in coastal areas clean all external surfaces of the fixture once every two weeks with a wet cloth.

MISE EN GARDE: Pour éviter tout choc électrique, assurez-vous que le disjoncteur soit mis hors tension avant de commencer.

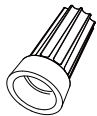
- Lisez toutes les instructions avant l'installation.
- Le système doit être installé par un électricien licencié conformément au code national de l'électricité (NEC), et également aux règlements locaux.
- Lors de la manipulation du luminaire, n'appuyez pas sur les LED. Tenez-le uniquement par la base.

ATTENTION: Toutes les pièces doivent être utilisées comme indiqué dans ces instructions. Ce produit est conçu pour être utilisé seulement avec les pièces et/ou accessoires fournis pour être utilisés avec les produits EastGroveHome. Remplacer des pièces ou accessoires non conçus pour ce produit EastGroveHome pourrait causer des dommages corporels ou matériels et pourrait également causer l'annulation de la garantie. Veuillez contacter un revendeur autorisé ou le fabricant si des pièces manquent ou sont endommagées.

NOTE D'ENTRETIEN: Les conditions côtières peut causer une accumulation de minéraux et de résidus sur le luminaire. Nous recommandons aux clients qui résident dans les zones côtières de nettoyer toutes les surfaces externes du luminaire une fois toutes les deux semaines avec un chiffon humide.

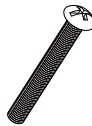
HARDWARE

A



Wire Connector
Qty: 3pcs+1 Extra

B



Junction Box Screws
Qty: 2pcs

C



Mounting Screw
Qty: 1 Extra

D



Assembly Screw
Qty: 1 Extra

Fig.1

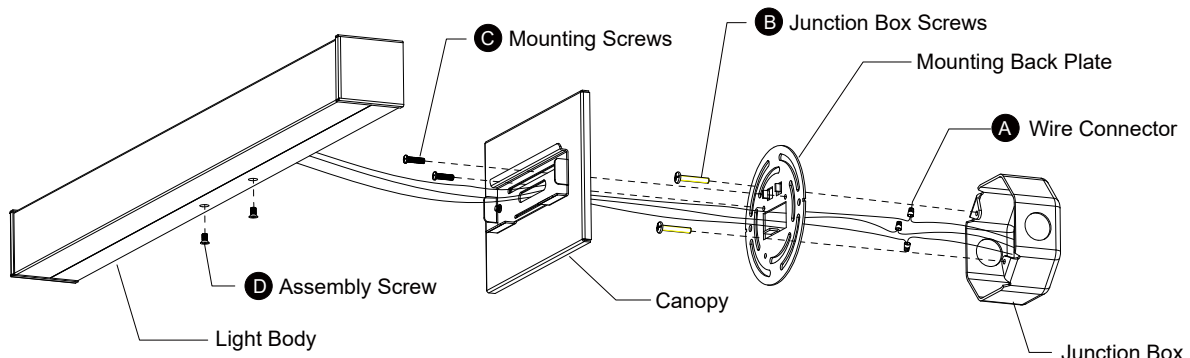


Fig.2 Wiring

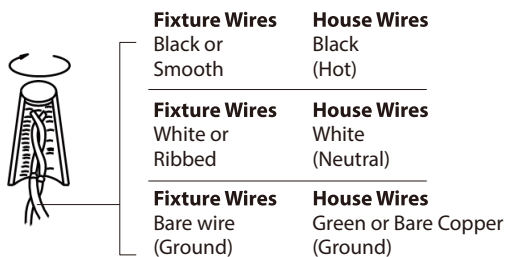
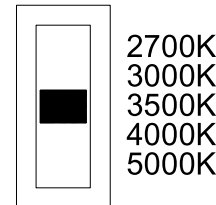


Fig.3 5CCT Switch



PREPARATION

1. Shut off the power at the circuit breaker and remove existing fixture, including the crossbar.
2. Carefully unpack your new fixture and lay out all the parts on a clear area. Be careful not to lose any small parts necessary for installation.

MOUNTING THE FIXTURE (Fig. 1)

3. Secure the mounting back plate to the junction box using standard junction box screws(B) that comes with the junction box.
 - Note:** (i)using any other non-original-manufacturer provided junction box screw may result in safety issue.
 - (ii) The side of the mounting plate marked "GND" must face out.
 - (iii) When installing, pay attention to the installation direction of mounting back plate.
4. Mount the canopy against the mounting back plate and secure using the mounting screws(C).

CONNECTING THE WIRES (Fig. 2)

5. The lamp can switch between five color temperatures (2700K-3000K-3500K-4000K-5000K), (Fig.3) which can be adjusted to your preference with the switch in the light body.
6. Connect the fixture's input wires to junction box wires as shown (Fig. 2). Make sure that all wire connectors (A) are secure. If your outlet box has a green or bare copper ground wire, connect the fixture's ground wire to it. After wires are connected, tuck them carefully inside the junction box.

COMPLETING THE INSTALLATION (Fig. 1)

7. Align the slot of light body with the folded edge of canopy for installation, then secure assembly screw(D) in and tighten it.