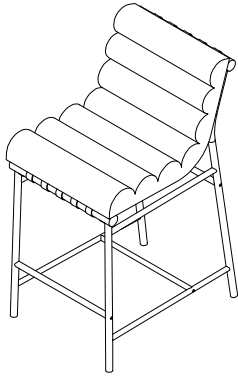
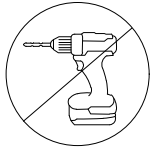


ASSEMBLY INSTRUCTIONS



+ Do Not Use Power Tools



+ Suggested Adults



NOTE: For questions about parts or assembly please email or call us.

- 1 Read instructions cover to cover.
- 2 Save all packaging until assembly is completed.

1 IMPORTANT SAFETY INFORMATION

Do not assemble the product if any of the following parts arrived damaged:

- Part 1 - Counter stool left frame
- Part 2 - Counter stool right frame
- Part 3 - Counter stool rail
- Part 4 - Counter stool rail
- Part 5 - Counter stool rail
- Part 6 - Counter stool seat

Do not assemble if any of the following Hardware parts are missing:

- Part A - Allen Key
- Part B - Bolt
- Part C - Bolt

2 IMPORTANT ASSEMBLY INFORMATION

Assembly Step If loosening persists, please make sure to tighten all the bolts periodically, or use a thread locker adhesive.

+ Parts Included

- ① Left frame x1pc

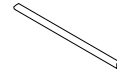


- ② Right frame x1pc



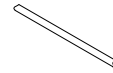
- ③ Rail x1pc

Ø19*395mm



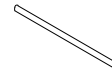
- ④ Rail x1pc

Ø19*364mm

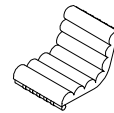


- ⑤ Rail x1pc

Ø16*390mm



- ⑥ Seat x1pc



+ Hardware Included

- A** Allen Key x1pc
4#

- B** Bolt x6pcs
M6x35

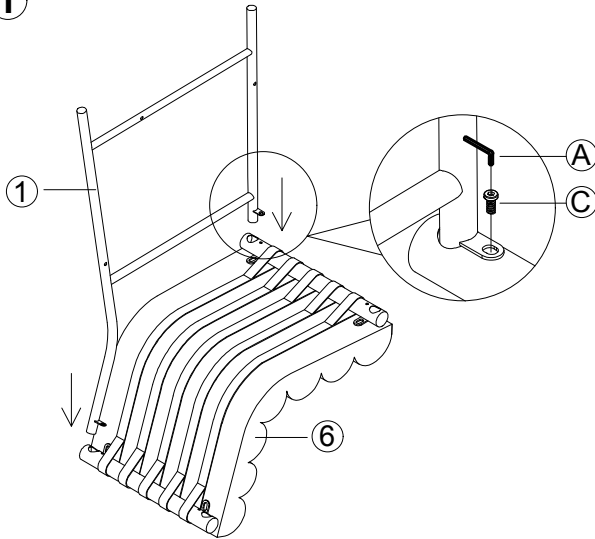


- C** Bolt x4pcs
M6x12



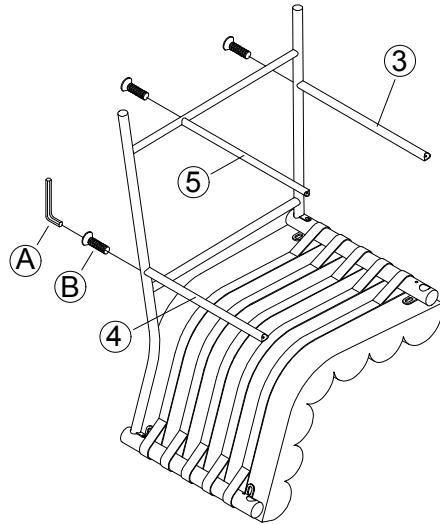
ASSEMBLY INSTRUCTIONS

①

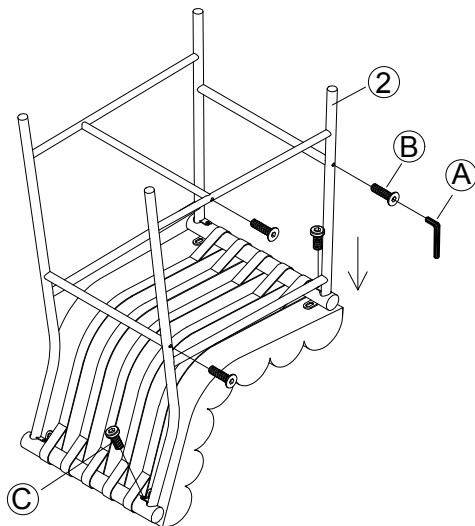


Please don't over tighten bolts until the assembly is completed.

②

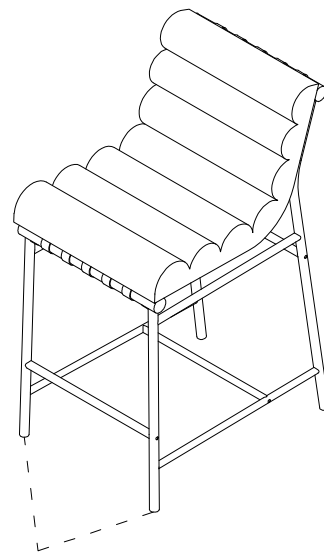


③



Assembling the rail, don't lock the bolts tightly.

④

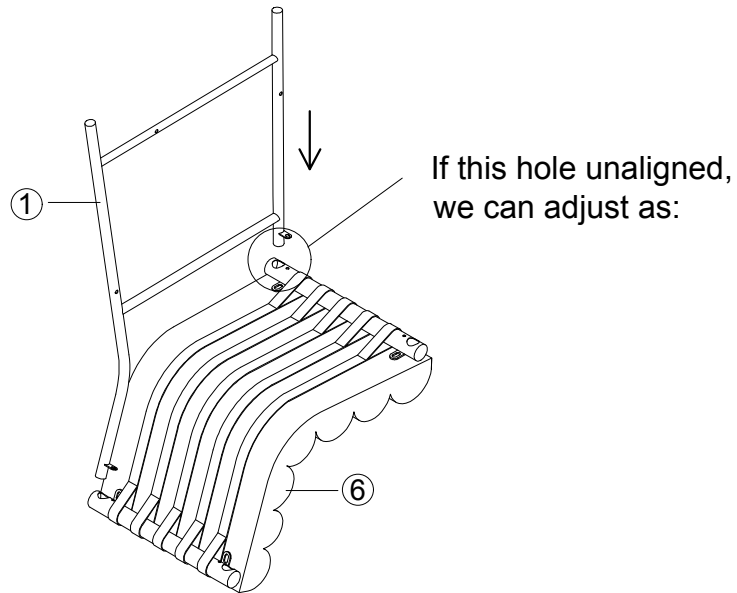


1. Tighten all the bolts.
2. Adjust if uneven.

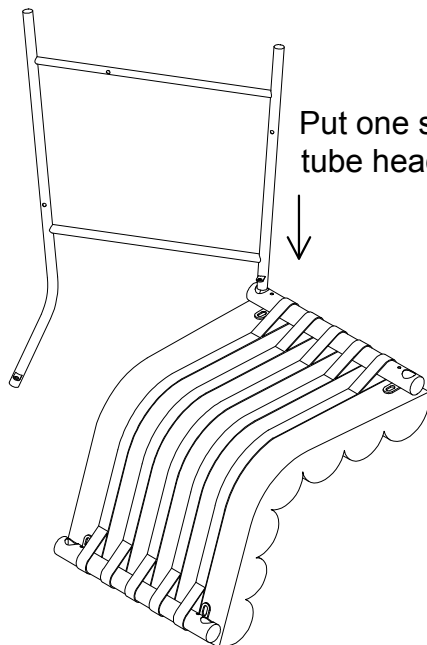
NOTE : For questions about parts or assembly please email or call us.

ASSEMBLY INSTRUCTIONS

Additional instruction

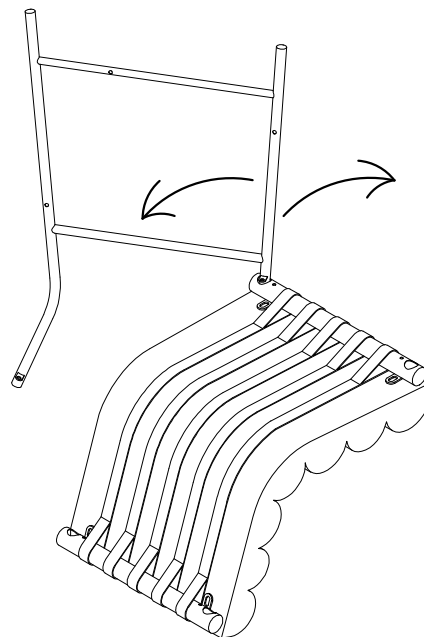


step 1



step 2

Move the side frame toward or
backward to adjust the hole position.



NOTE : For questions about parts or assembly please email or
call us.