

READ & SAVE BELOW INSTRUCTIONS

Before beginning assembly of product, make sure all parts are present. Compare parts with package contents list and hardware contents list. If any part is missing or damaged, do not attempt to assemble the product. Do not tighten any of the bolts until the chair and table are completely assembled.

This item is heavy. Use care when handling. May require two adults for safe assembly.

Water allowed to accumulate inside the frames could freeze and damage the frame tubing. Such damage is not covered under the warranty

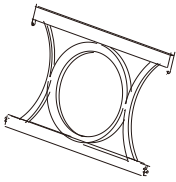

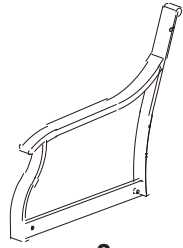
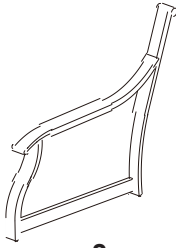
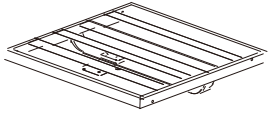
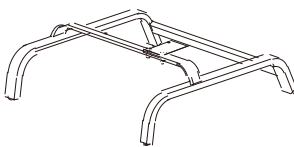
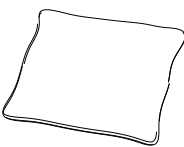
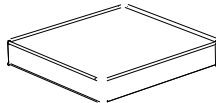
Assemble the item on a stable, non-abrasive surface such as carpeting to avoid damage.

Chair Weight capacity: 225 lbs.

CARE AND MAINTENANCE

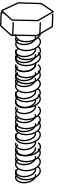

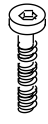


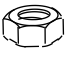






Use mild soap and warm water. Do not use abrasive materials, cleaners or bleach products.
Rinse with clean water and dry thoroughly.

PACKAGE CONTENTS

<p>A Chair backrest</p>  <p>x2</p>	<p>B Back tube</p>  <p>x2</p>	<p>C Right arm</p>  <p>x2</p>	<p>D Left arm</p>  <p>x2</p>	<p>E Chair seat</p>  <p>x2</p>
<p>F Chair base</p>  <p>x2</p>	<p>G Back cushion/</p>  <p>x2</p>	<p>H Seat cushion</p>  <p>x2</p>		

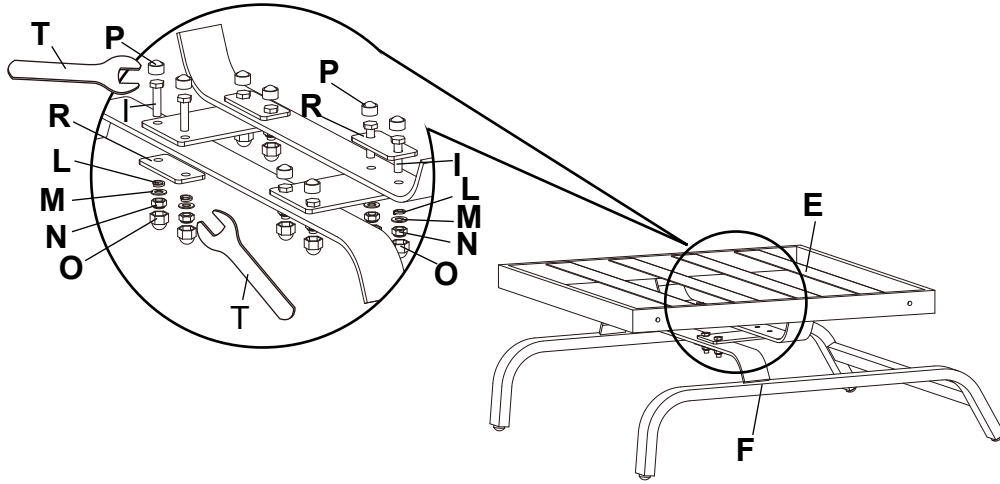
HARDWARE CONTENTS

Note : Hardware shown actual size.

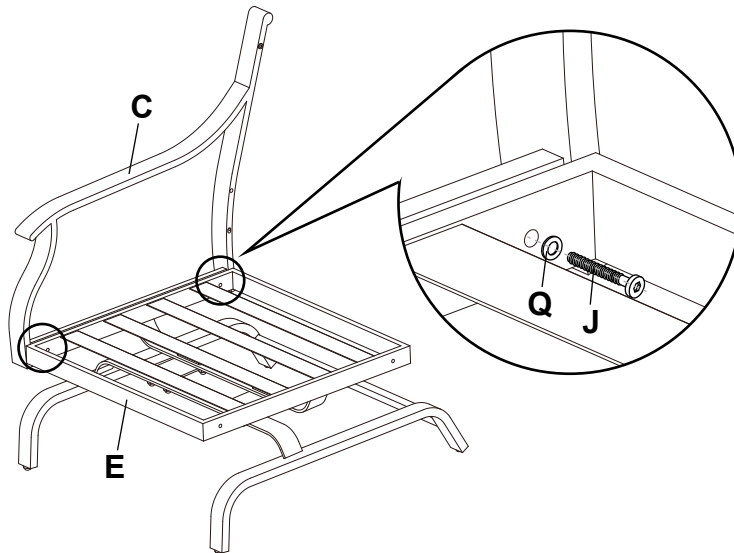
I	J	K	L	M	N	O	P	Q	R	S	T
											
M8x28 x8	M6x30 x8	M6x15 x4	x8	x8	x8	x16	x16	x12	x4	x1	x2

INSTALLATION OVERVIEW

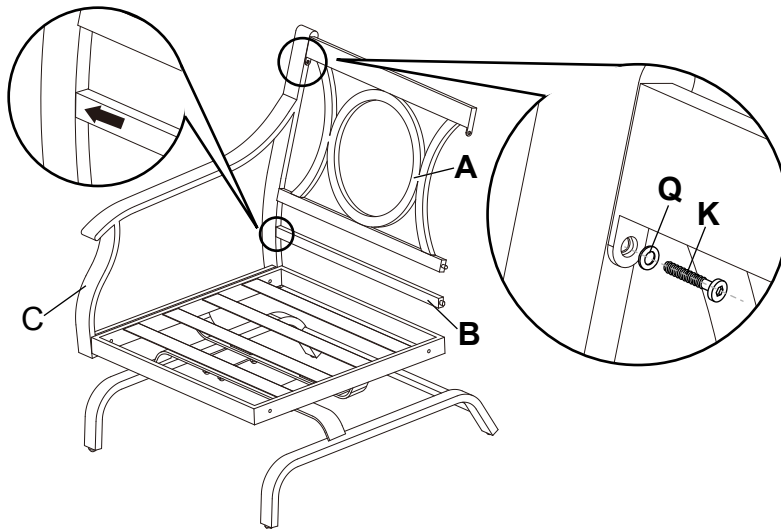
1



2

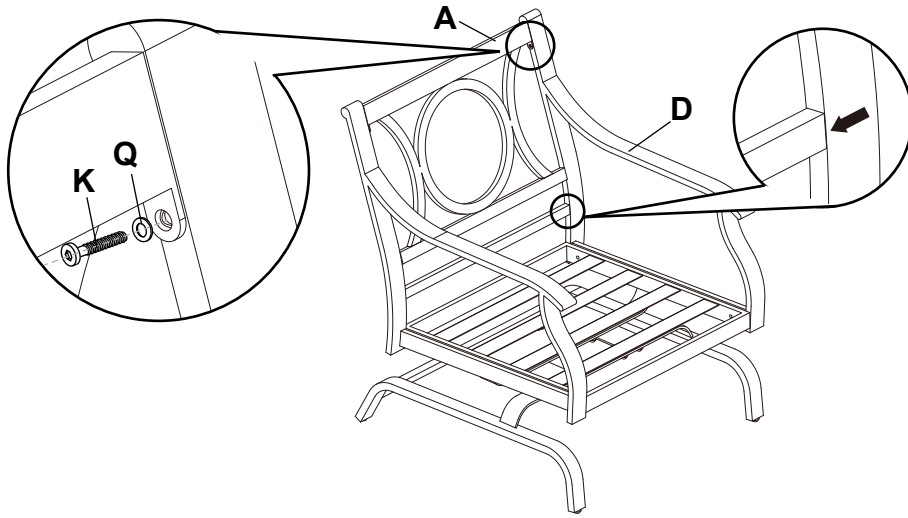


3

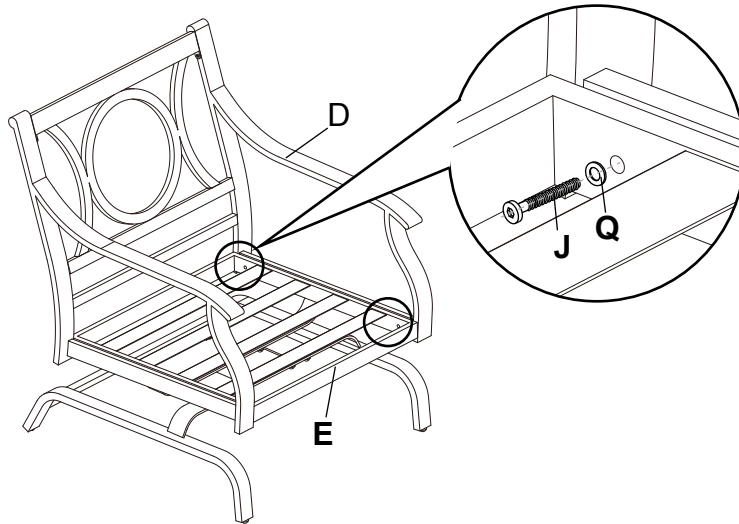


INSTALLATION OVERVIEW

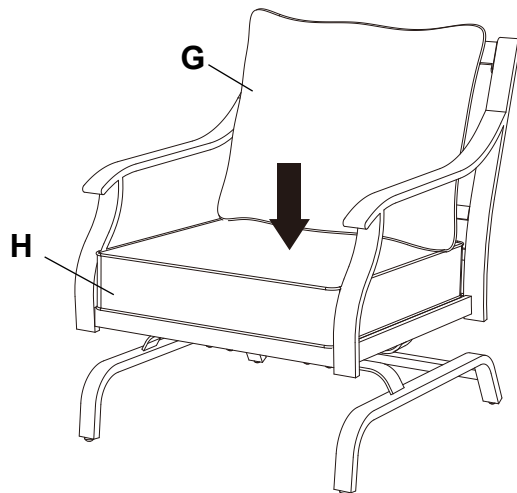
4



5

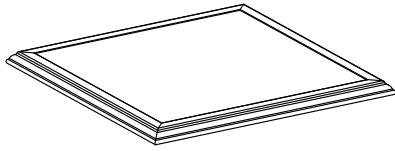


6



PACKAGE CONTENTS

A
Table top/
Plateau de table



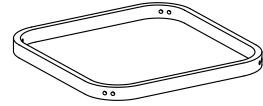
x1

B
Table leg/
Pieds de table



x4

C
Leg connector/
Connecteur de pieds



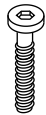
x1

HARDWARE CONTENTS/QUINCAILLERIE INCLUSE

Note : Hardware shown actual size.

Remarque : La quincaillerie est illustrée en grandeur réelle.

D



M6x15
x12

E



x12

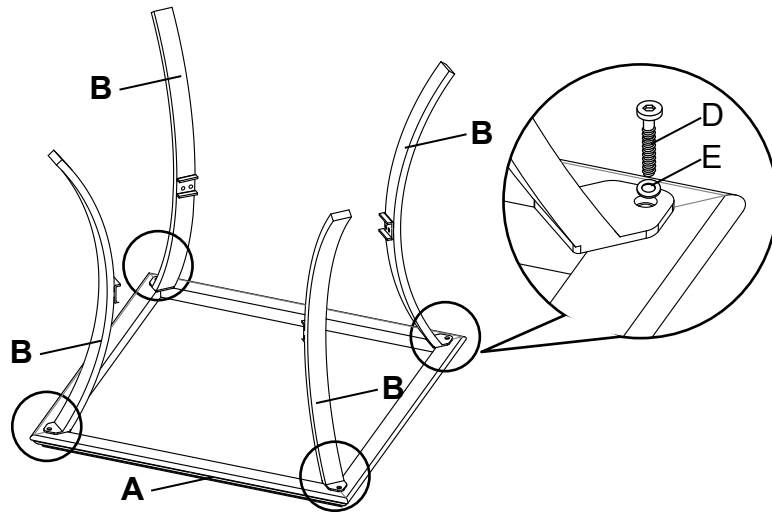
F



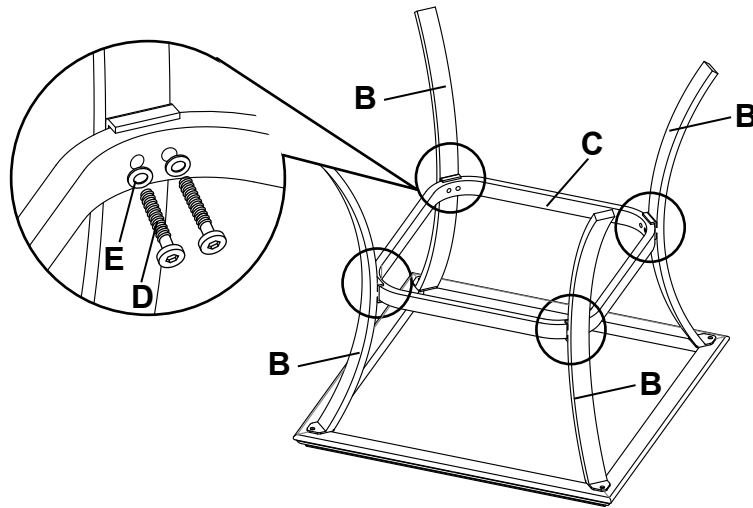
x1

INSTALLATION OVERVIEW

4



5



6

