

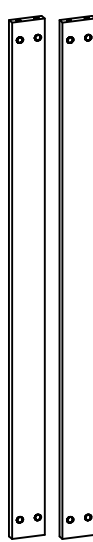
Ax2



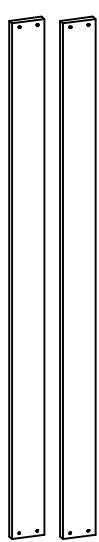
Bx2



Cx2



Dx1



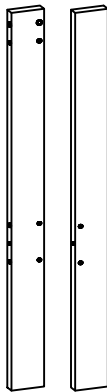
Ex13



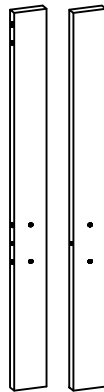
Fx2



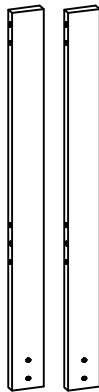
Gx2



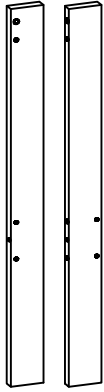
Hx1



Ix2



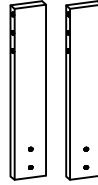
Jx1



Kx1



Lx6



Mx1



Nx16



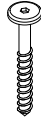
Ox88



Px8



Qx8



M6x $\frac{60}{2.4}$   
Rx12



M6x $\frac{100}{3.9}$   
Sx4



M6x $\frac{135}{5.3}$   
Tx2



Ux16



Vx4



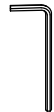
Wx4



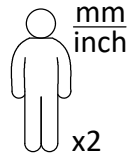
Xx4

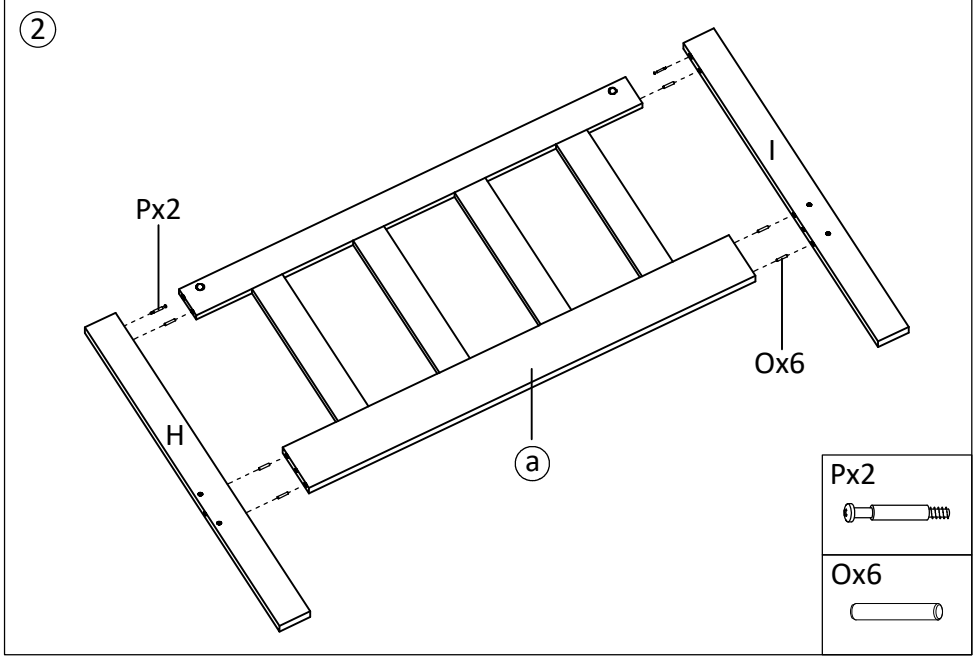
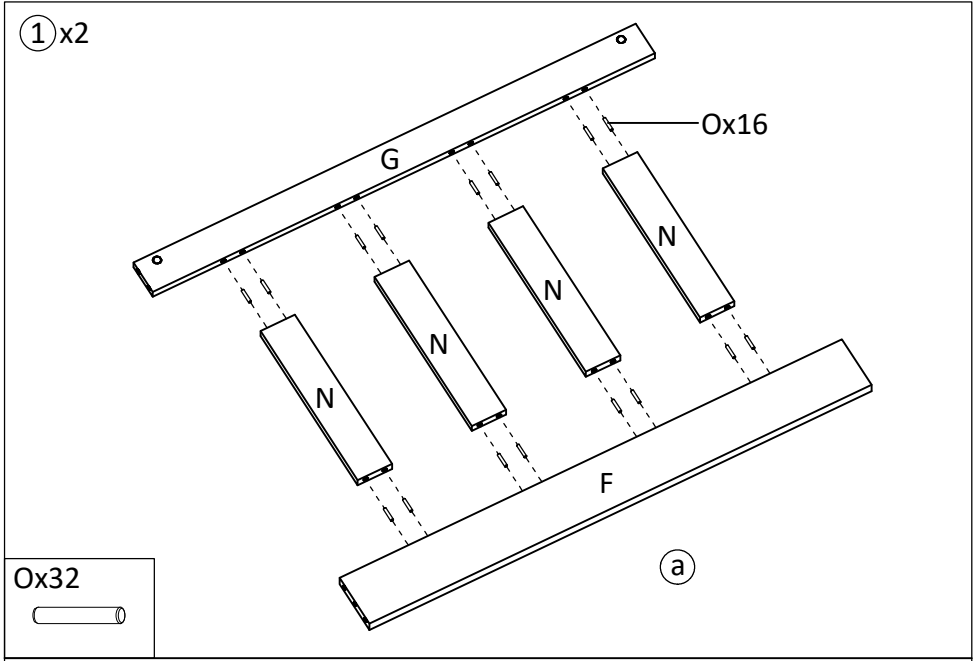


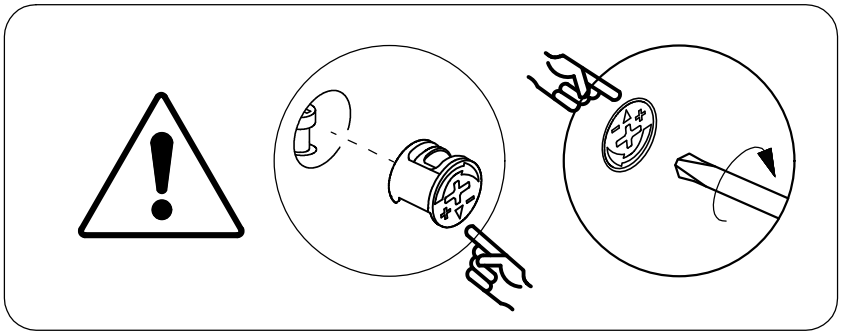
M3.5x $\frac{28}{1.1}$   
Yx76



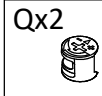
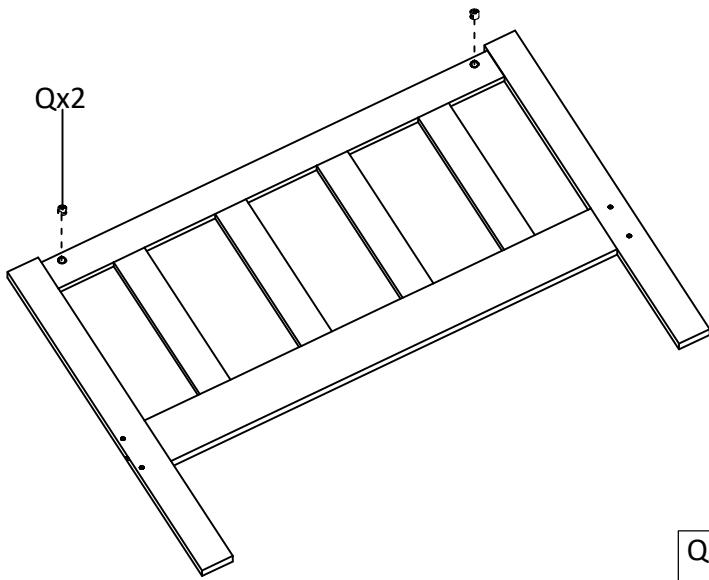
Zx1

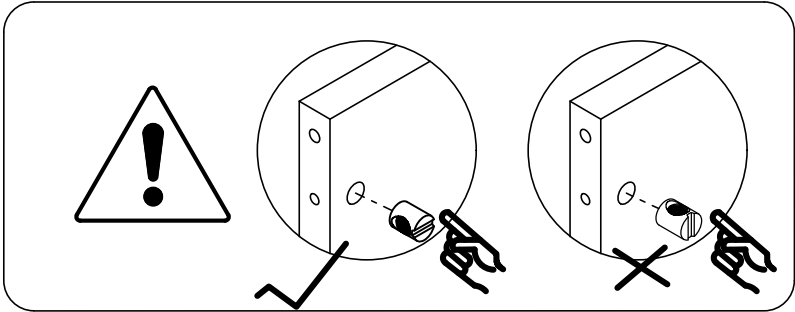




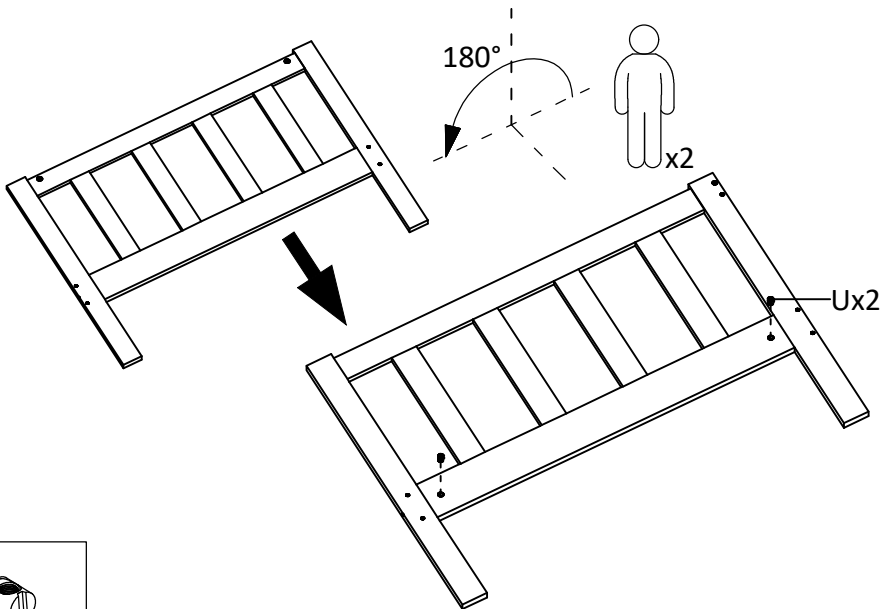


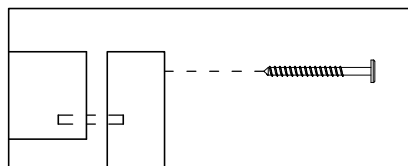
3



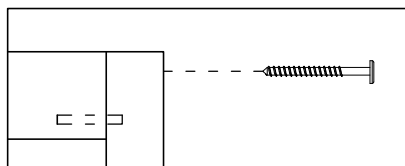


4



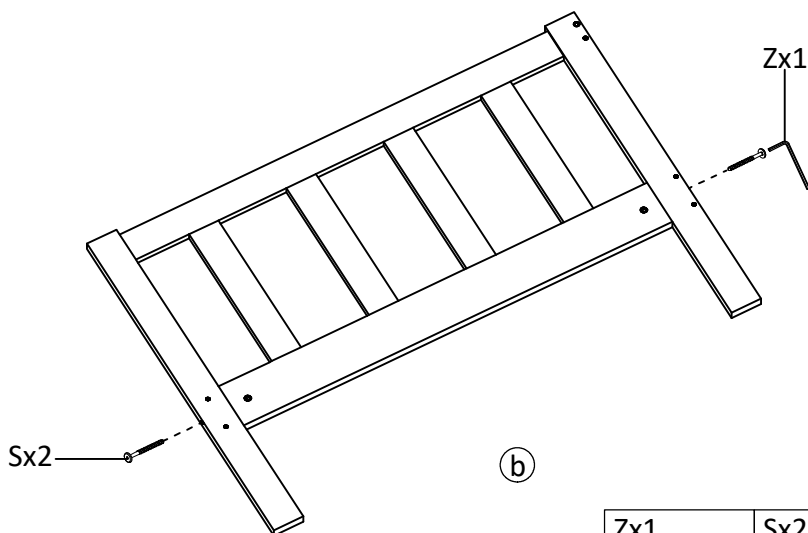


✗


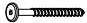


✓

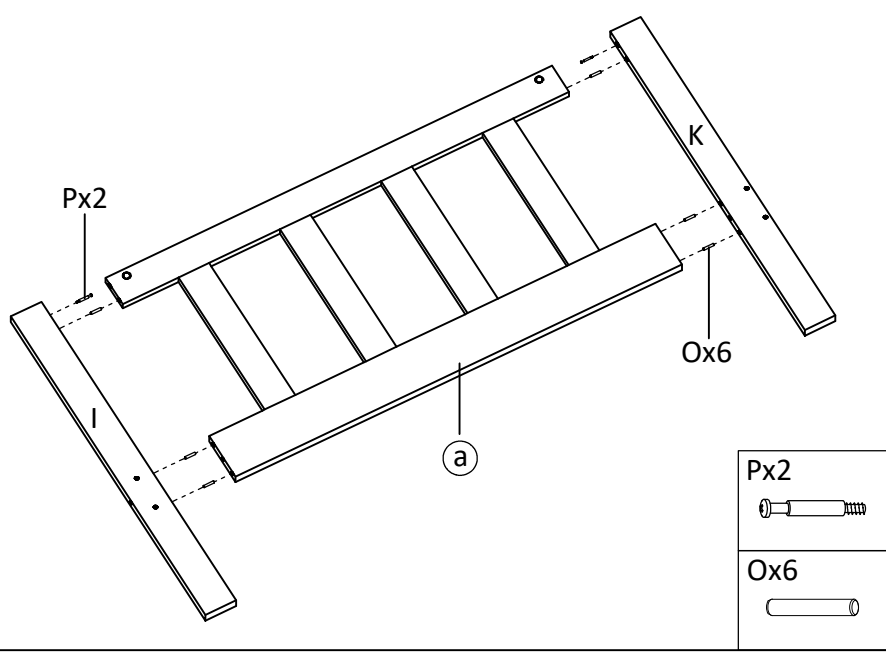
5



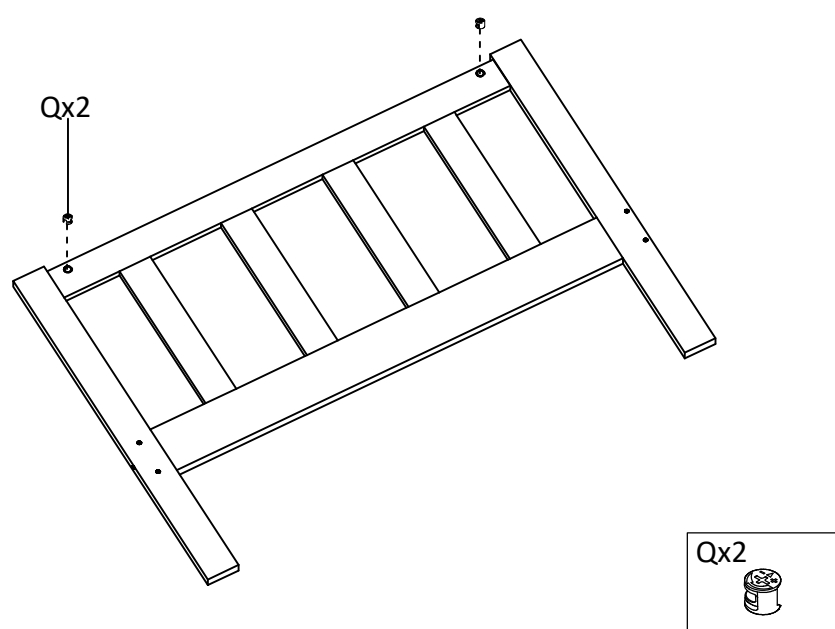
b

Zx1	Sx2
	
	M6x $\frac{100}{3.9}$

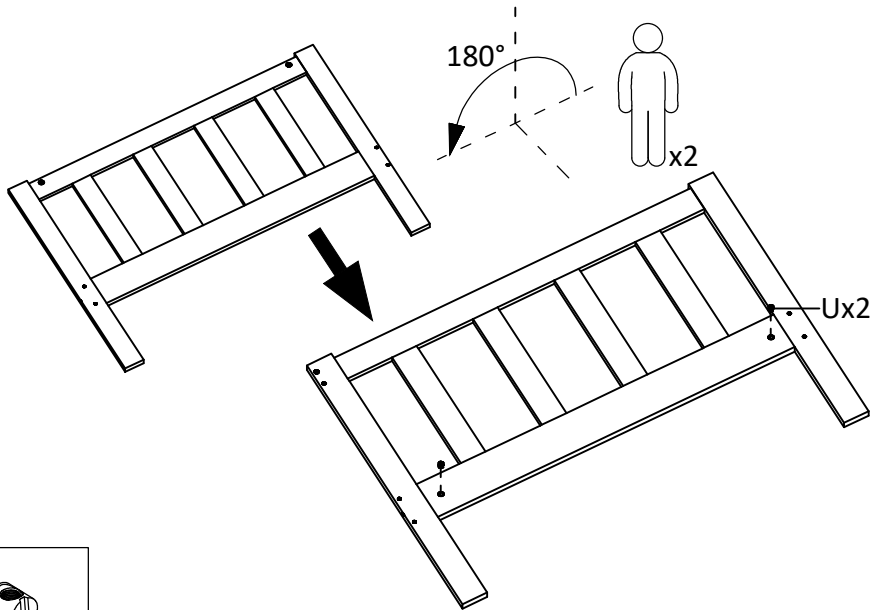
6



7



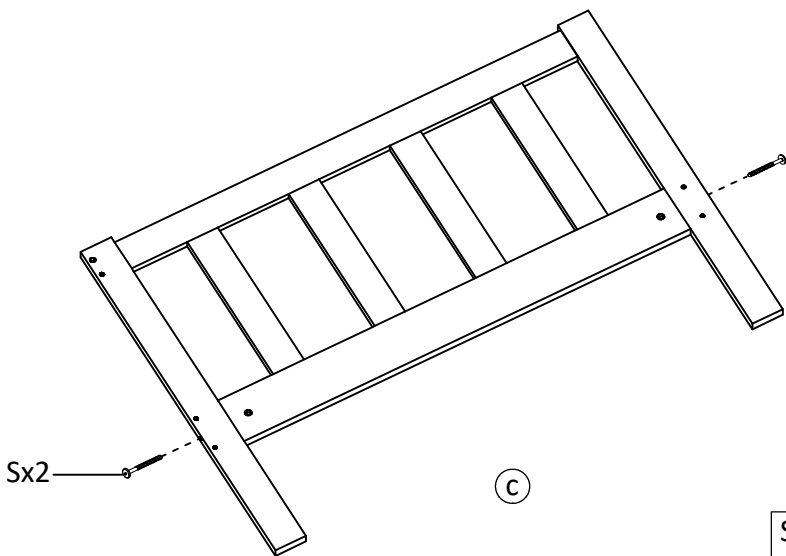
8



Ux2

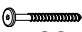


9

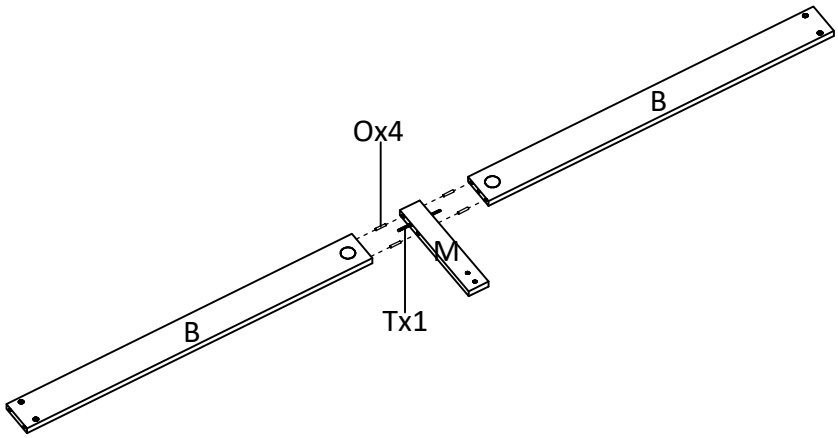


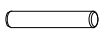
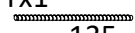
Sx2

C

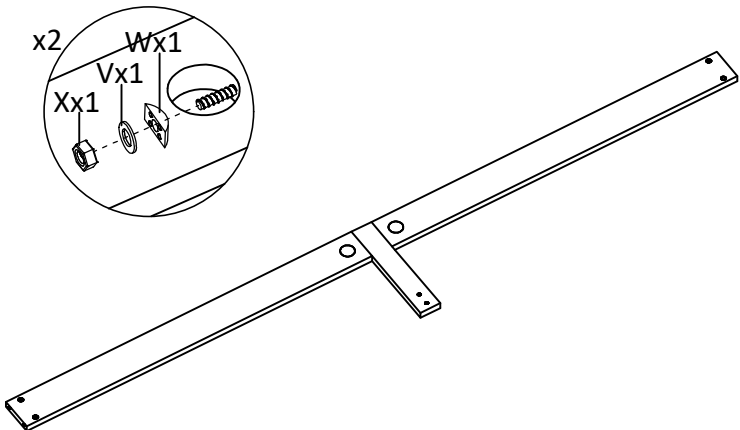
Sx2   
M6x  $\frac{100}{3.9}$




10



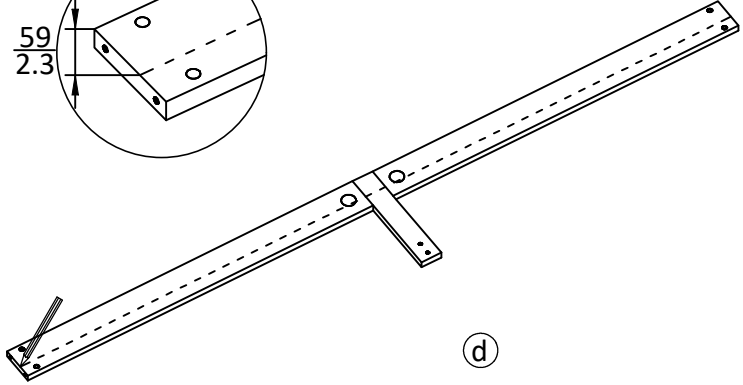
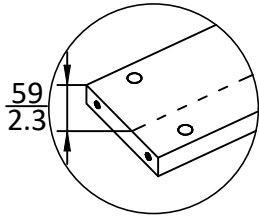
Ox4	Tx1
	
	M6x $\frac{135}{5.3}$

11



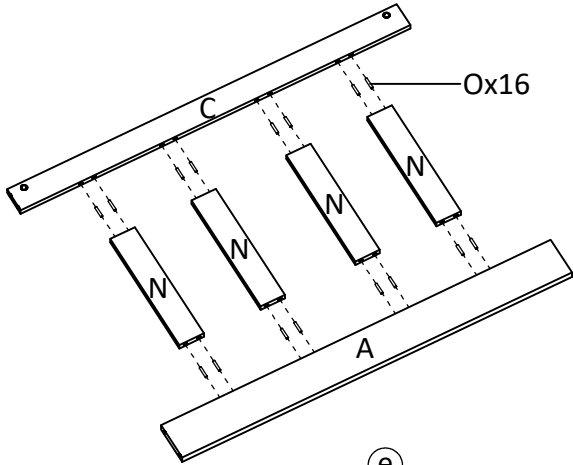
Vx2	Wx2	Xx2
		

12



d

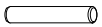
13



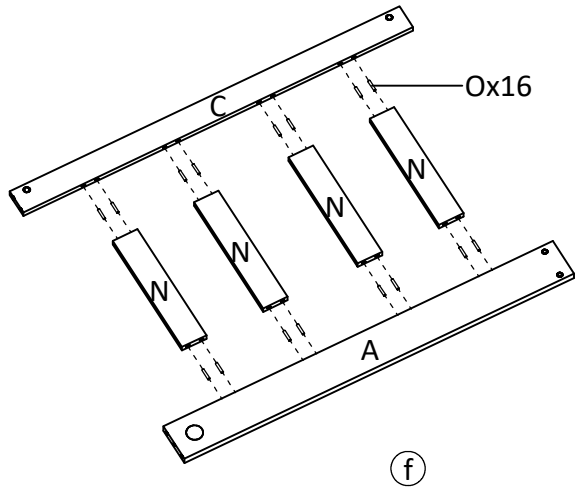
Ox16

e

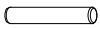
Ox16



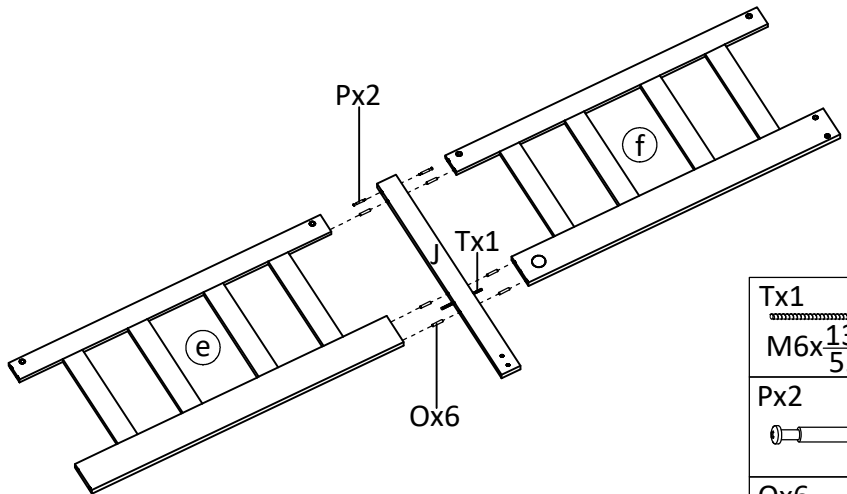
14



Ox16



15

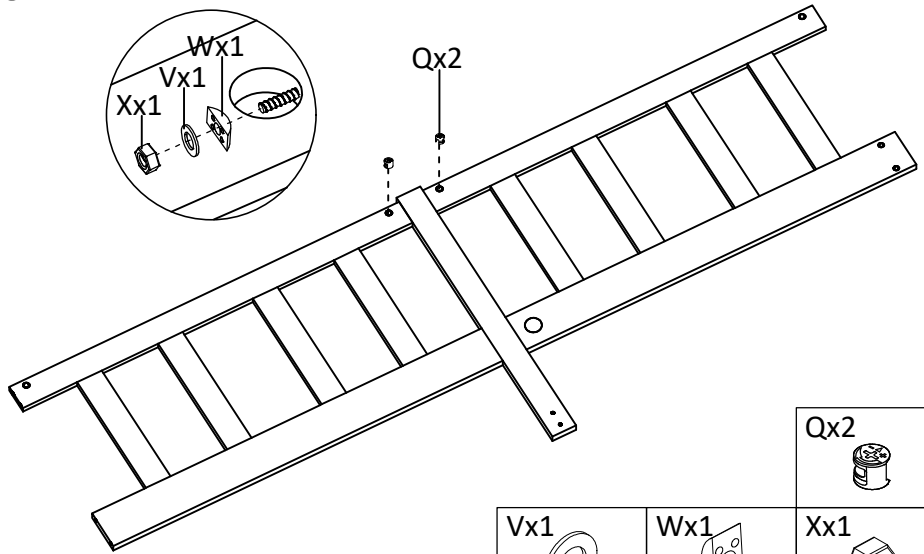


Tx1  
M6x $\frac{135}{5.3}$

Px2

Ox6

16



Qx2



Vx1



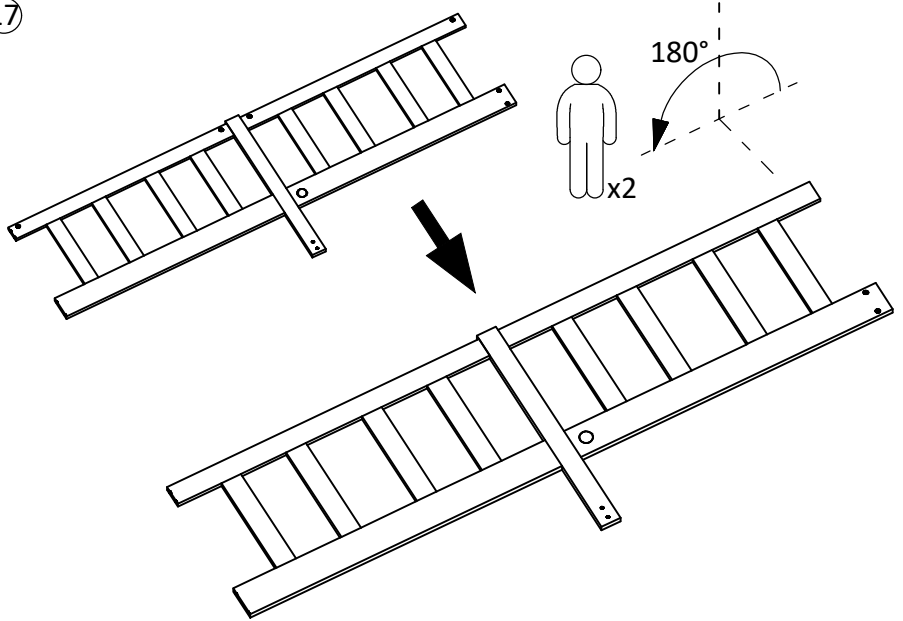
Wx1



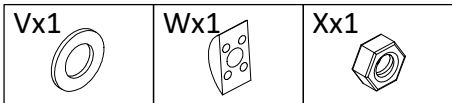
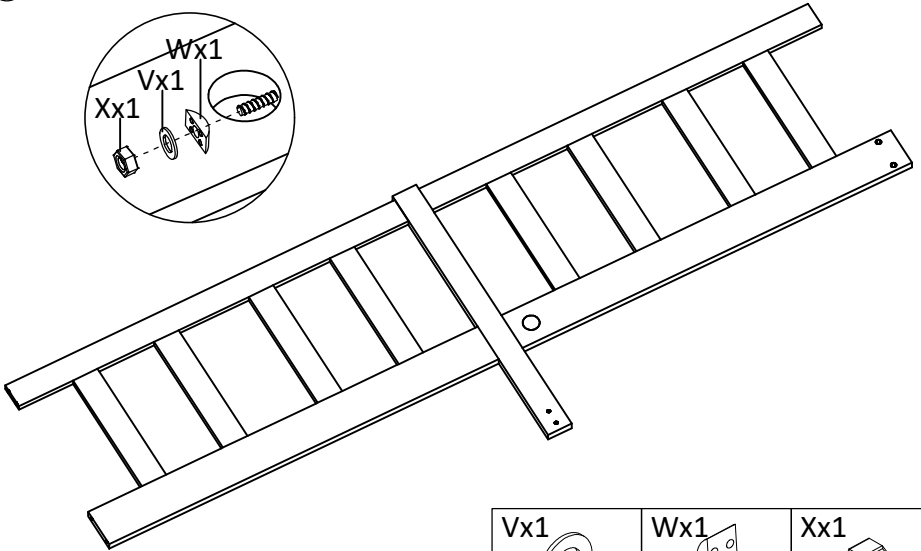
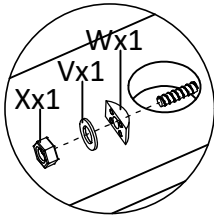
Xx1



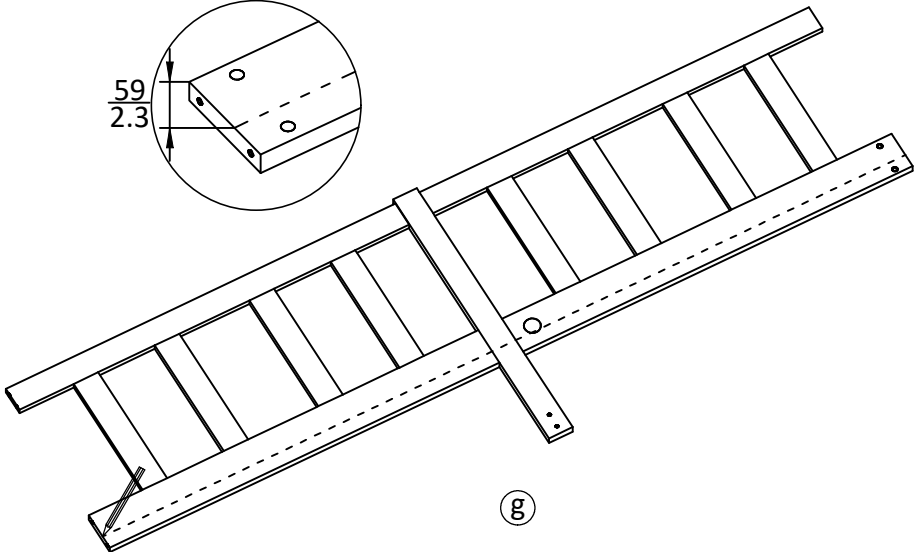
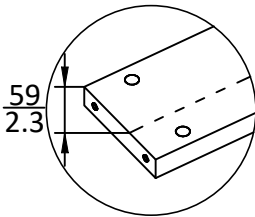
17



18

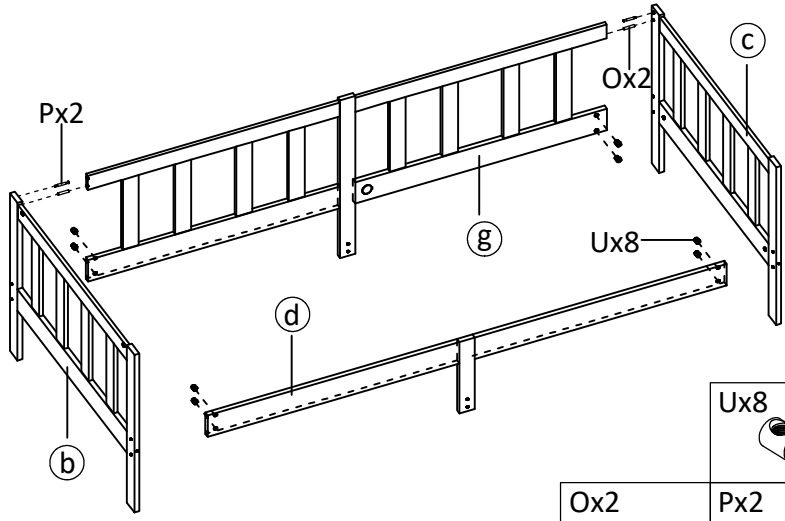



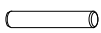
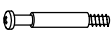
19



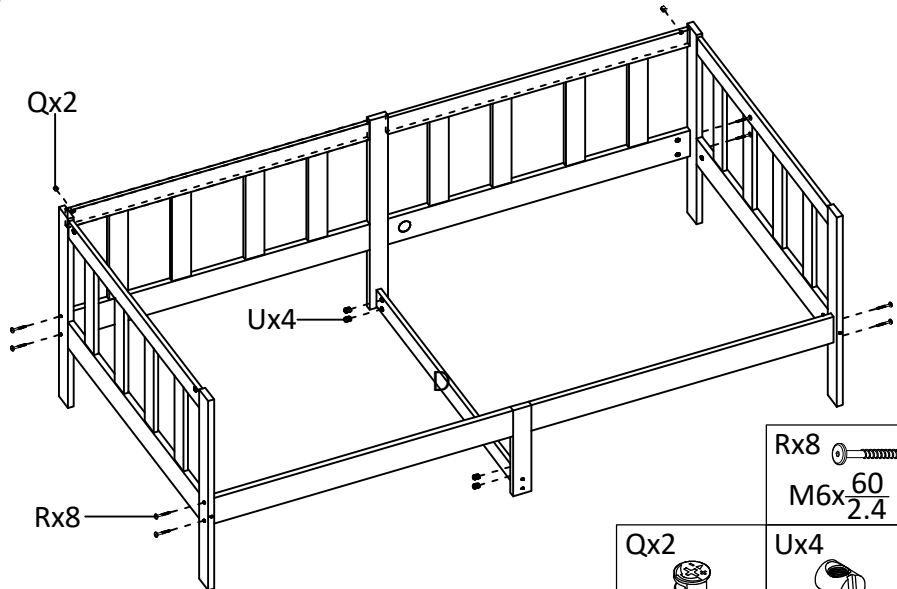
8




20



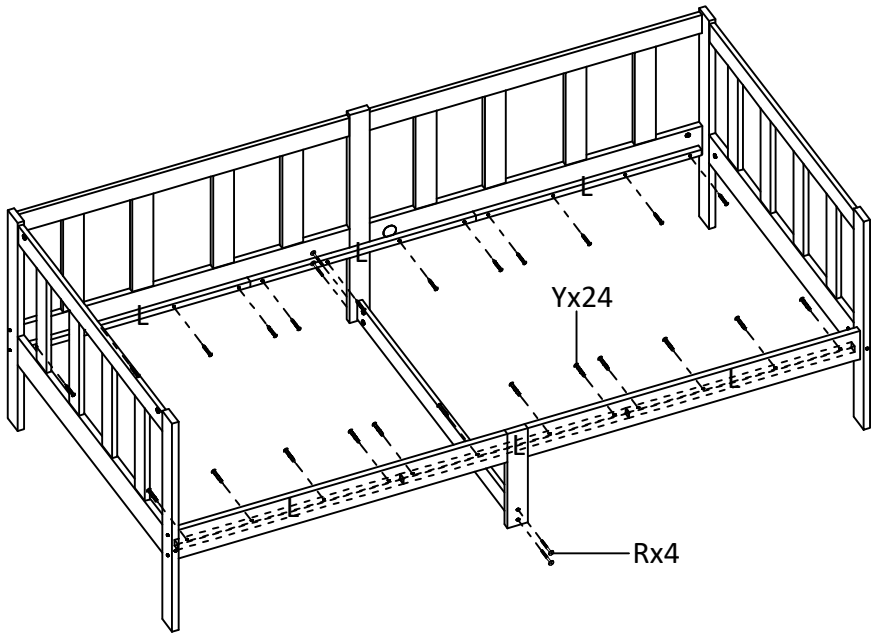
Ux8	
Ox2	
Px2	

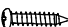
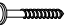
21



Rx8	
M6x $\frac{60}{2.4}$	
Qx2	
Ux4	

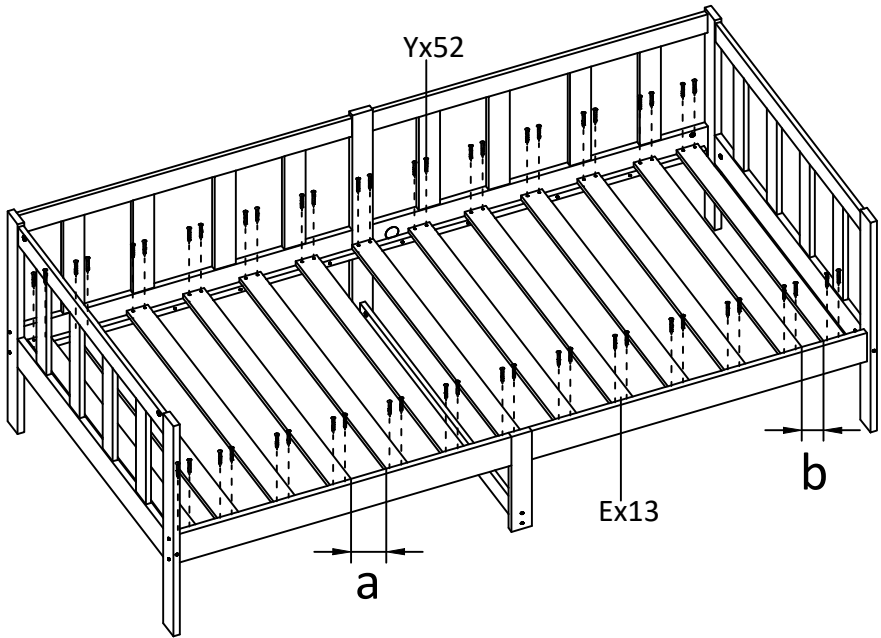
22




Yx24	
	28
	M3.5x1.1
Rx4	
	60
	M6x2.4

ZAL00209	$a = \frac{105}{4.1}$	ZAL09109	$a = \frac{97}{3.8}$
ZAL00209	$b = \frac{75}{3.0}$	ZAL09109	$b = \frac{60}{2.4}$

23



Yx52   
 28  
 M3.5x1.1

24

