



RUTLAND COUNTY
GARDEN FURNITURE

Hand-Crafted

ASSEMBLY INSTRUCTIONS

THE DOUBLE PREMIUM PERGOLA

Before you commence the assembly process we recommend that you read these instructions thoroughly beforehand to familiarise yourself with the assembly process and to also check that you have the correct components. If for any reason you need assistance, you can find our contact details on the final page of these instructions.

We highly recommend that any assembly is carried out on an open flat, level surface if possible with sufficient space. You will also require the assistance of at least 2 adults to complete assembly safely.

Please note: For a free-standing pergola you can remove up to 600mm from the bottom of each post prior to commencing construction.



THE RUTLAND DOUBLE PREMIUM PERGOLA




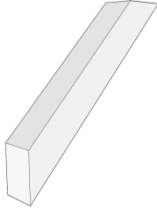
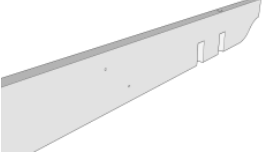

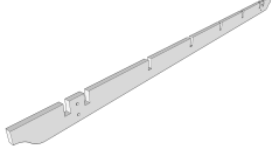
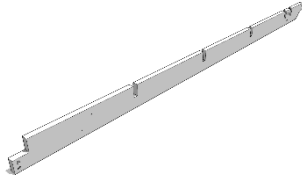
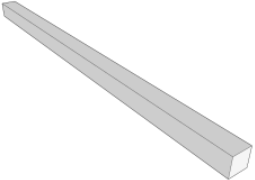
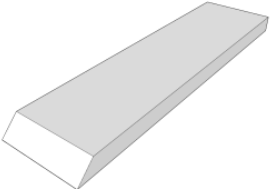
THE DOUBLE PREMIUM PERGOLA

Tools required:

10mm socket, No2 Pozidriv screwdriver (or electric driver) , step ladder or platform.

Components

The components listed below are those required to build a Double Premium pergola of 3.6M in size or larger. For the 2.4M and 3M version there are only 3 rafters, 28 x 120mm coachscrews and the braces are 500mm in length.

75mm woodscrews	120mm coachscrews	70mm coachscrews	650mm Braces
			
4 x Pre-drilled end Rafters	Rafters	Runners – one piece – Scuplted ends	Runners – Split – Notch end
			
Posts	Cladding panels		
			

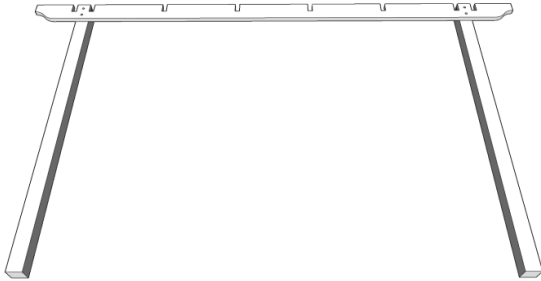
The assembly steps that follow are divided into 2 sections. The first section (Page 3) covers the assembly of a **one piece runner** pergola, the second section (Page 8) a **split runner pergola**.

6 post pergolas 4.2 and 4.8M in length are **one piece runner**. All pergolas 5.4M in length and above are **split runner**.

THE DOUBLE PREMIUM PERGOLA

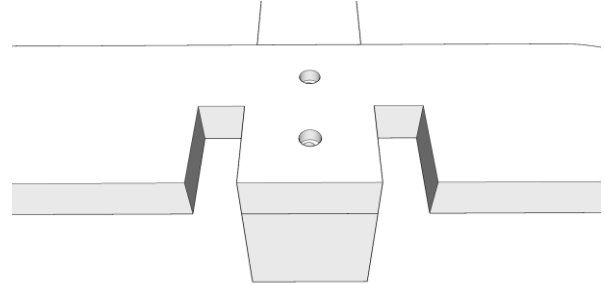
ONE PIECE RUNNER VERSION

Step 1



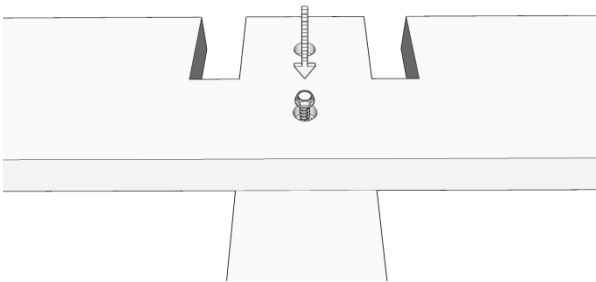
Begin by placing two of the posts on a flat surface as shown and then placing one of the runners, countersinks uppermost, on top of the posts with the outer notches over the post.

Step 2



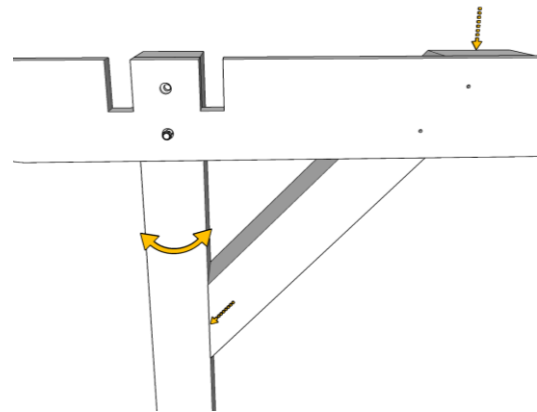
At this point ensure that the post is aligned between the notches, flush with the top edge of the runner and perpendicular to it.

Step 3



Now insert a 70mm coachscrew into one of the holes in the runner and drive it into the post using a socket and ratchet or driver until almost fully home.

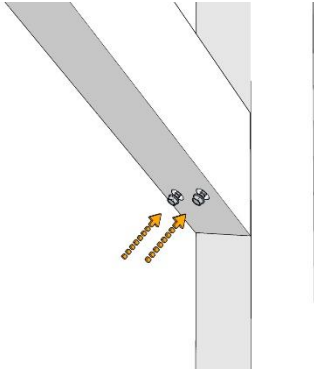
Step 4



Position one of the braces against the side of the post as shown with the bolt countersink adjacent to the post. Check that the top edge of the brace is flush with the top edge of the runner and that the lower face is flat against the post. If necessary alter the position of the post to achieve this by pivoting it on the bolt inserted in the previous step.

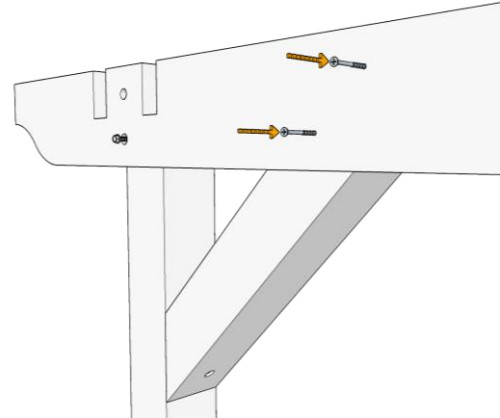
THE DOUBLE PREMIUM PERGOLA

Step 5



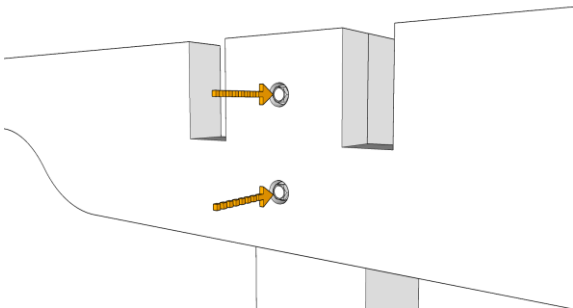
Once the brace is in position insert 2 x 70mm coachscrews and fix to the post by driving them fully home with the socket.

Step 6



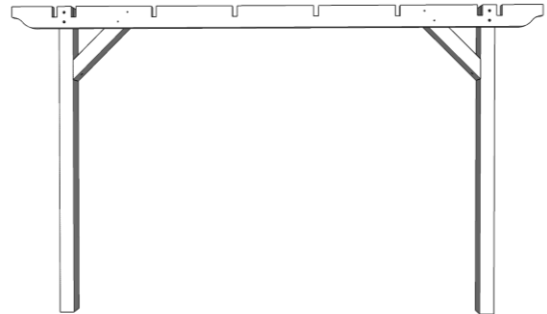
Now secure the other end of the brace to the runner with 2 x green woodscrews.

Step 7



Insert a second 70mm coachscrew into the hole in the runner and drive both coachscrews fully home. Repeat the previous steps and attach the second post to the runner.

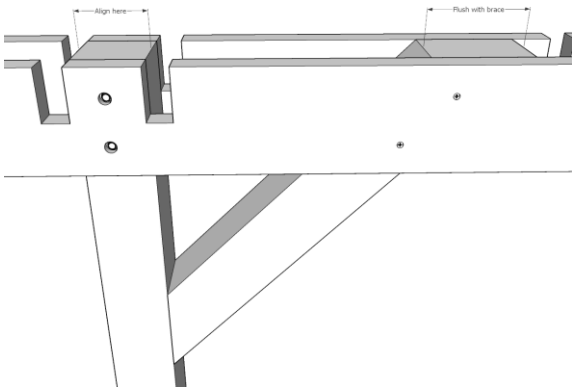
Step 8



Take the completed assembly and turn it over to commence fitment of the second runner.
IMPORTANT NOTE - on the inner face of the runner notches you will find one marked with a star - these should always be placed at the same end of the assembly.

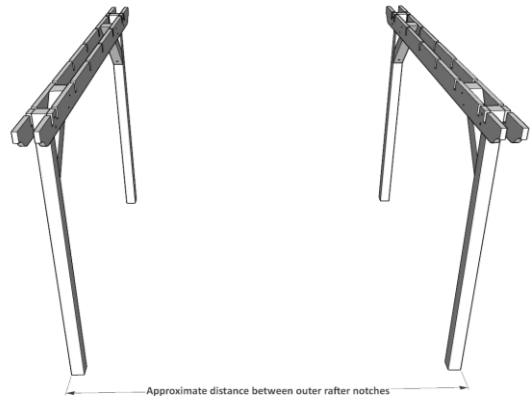
THE DOUBLE PREMIUM PERGOLA

Step 9



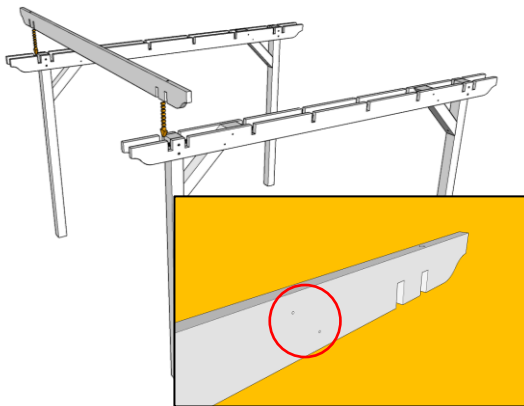
Place the next runner as you did before carefully aligning it before attaching to the post and brace as before.

Step 10



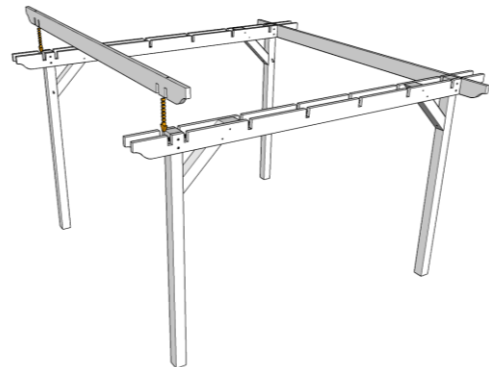
Repeat steps 1 - 9 so that you now have two frame assemblies. Arrange them both near to the pergola's intended final location, as shown above, spacing the posts apart by the approximate distance between the outer rafter notches.

Step 11



Now take one of the pre-drilled rafters and lower it onto the 2 frame assemblies so that the notches in the rafters and runners interlock and fully house.

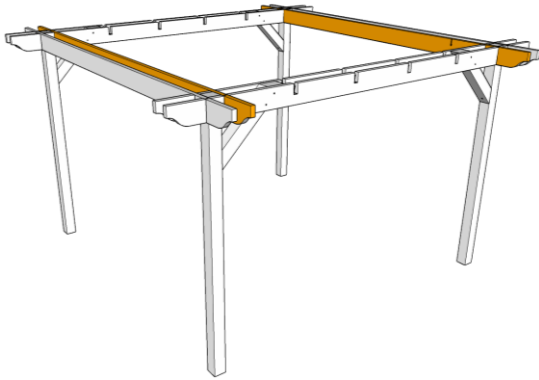
Step 12



Drop a second pre-drilled rafter into place at the other end of the assembly.

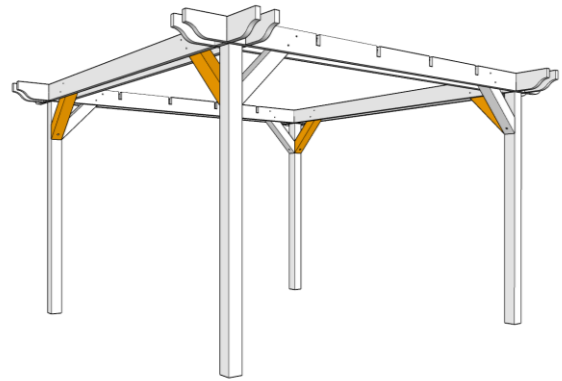
THE DOUBLE PREMIUM PERGOLA

Step 13



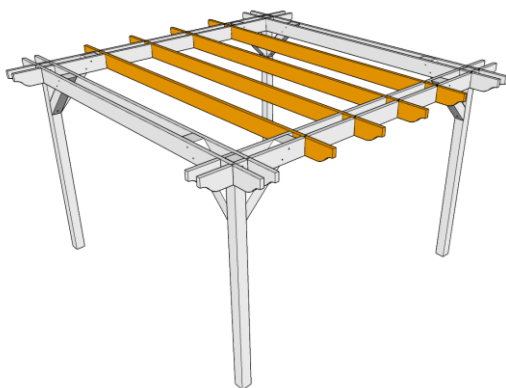
Now insert the remaining pre-drilled rafters adjacent to the rafters inserted previously.

Step 14



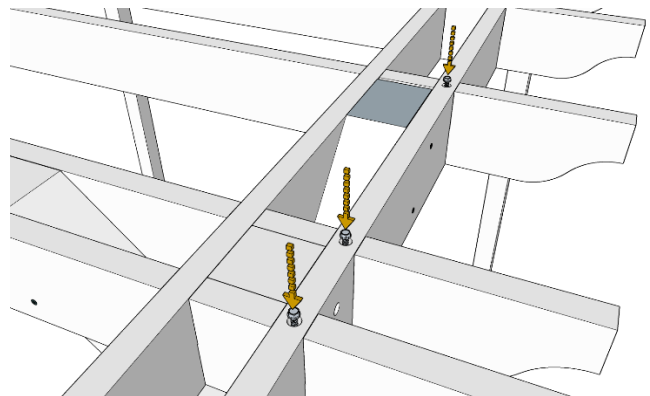
Position the remaining braces as before, flat to the post and flush with the top edge of the rafter and screw to the post using a 70mm coachscrew, before attaching the top to the rafters with 4 x green woodscrews per brace.

Step 15



Now insert any remaining rafters dropping them into the notches as before.

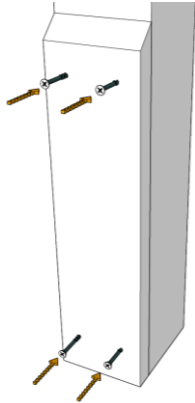
Step 16



Now screw down all of the rafters with a 120mm coachscrew driven into each end of the rafter.

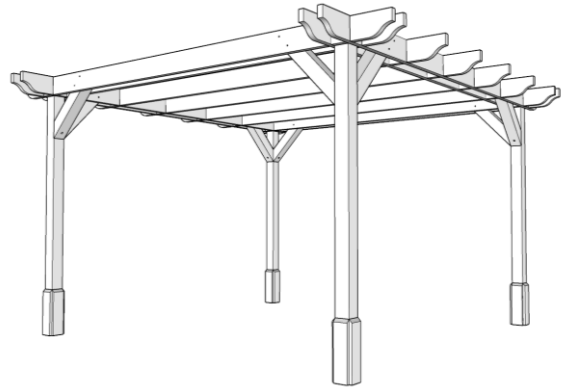
THE DOUBLE PREMIUM PERGOLA

Step 17



To attach cladding panels simply align as shown at the base of the post before screwing into place using 4 x green woodscrews through the pre-drilled holes per panel. Repeat for each face of the post.

Step 18

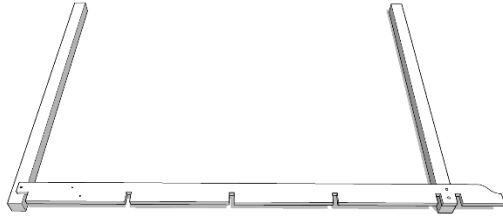


Your Rutland Premium Double pergola is now complete.

THE DOUBLE PREMIUM PERGOLA

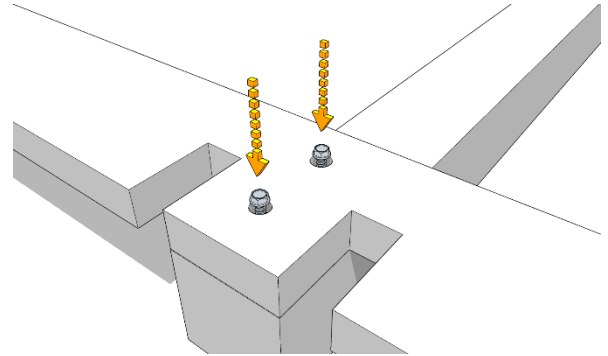
SPLIT RUNNER VERSION

Step 19



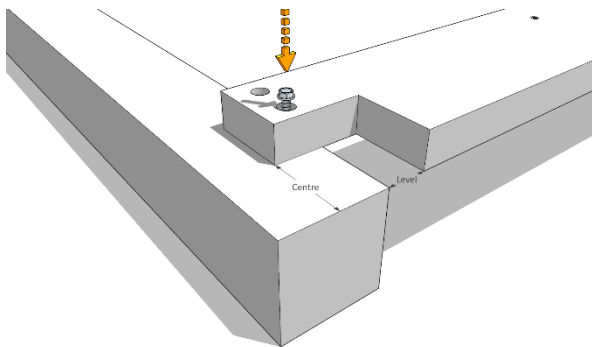
Begin by placing two of the posts on a flat surface as shown and then placing one of the runners, countersinks uppermost, on top of the posts with the outer notches over the post.

Step 20



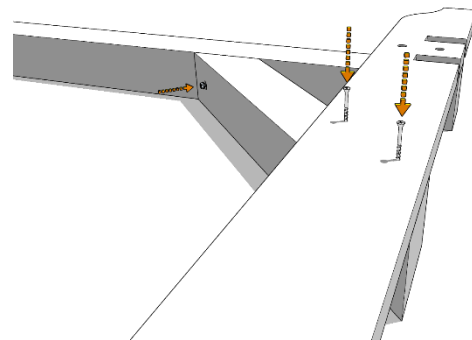
At this point ensure that the post is aligned between the notches, flush with the top edge of the runner and perpendicular to it. Drive in two 70mm coachscrews but don't fully tighten just yet.

Step 21



Position the other notched end of the runner so that the top edge is flush with the top edge of and the tip is half way across the face of the post and the runner is at 90°, perpendicular to the post before securing in place with a single 70mm coachscrew in the hole nearest to the tip of the post. Again, do not fully tighten just yet.

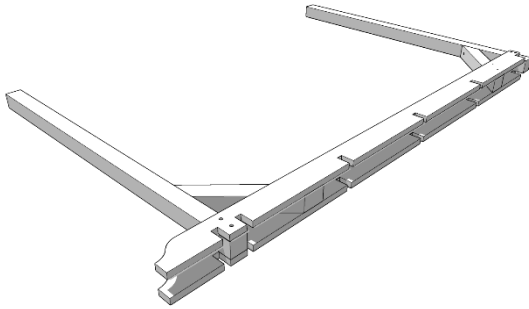
Step 22



Position one of the braces against the side of the post as shown with the bolt countersink adjacent to the post. Check that the top edge of the brace is flush with the top edge of the runner and that the lower face is flat against the post. If necessary alter the position of the post to achieve this by pivoting it on the bolt(s) inserted in the previous step(s). Secure in place with a 70mm coachscrew into the post and 2 x 75mm woodscrews into the brace through the runner.

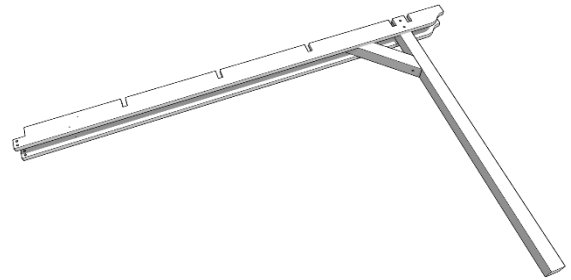
THE DOUBLE PREMIUM PERGOLA

Step 23



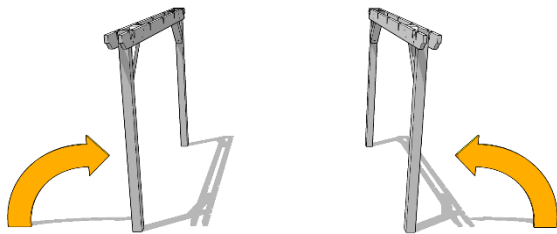
Add another brace to the other end of the “Goalpost” structure and then add the second 70mm coachscrew to the notched end. Tighten down all of the coachscrews before carefully flipping the assembly over and adding another runner, parallel to the first using 4 more 70mm coachscrews and a pair of 75mm woodscrews.

Step 24



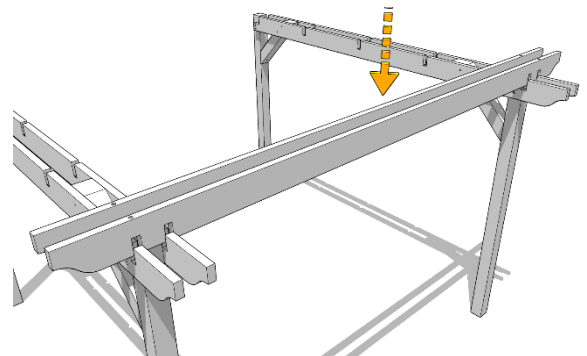
Now using the remaining runners, posts and 650mm braces, construct 2 single post, partial “Goalposts” using the same methods outlined in Steps 19-23.

Step 25



Arrange the two completed goalpost structures at the pergola's intended final location as shown above, spacing the posts apart by the approximate distance between the outer rafter notches.

Step 26

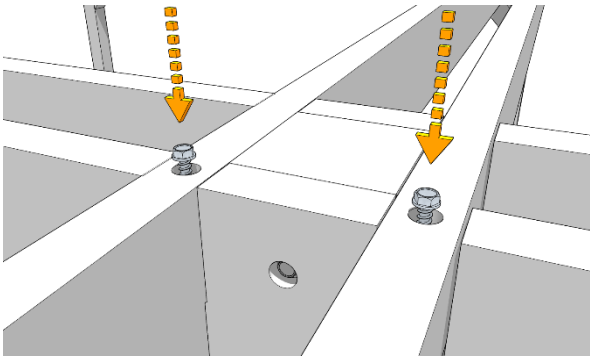


Now take a pair of the Outer pre-drilled rafters and lower them onto the 2 frame assemblies so that they butt up to either side of the post.

Tip: You may need to adjust the positioning of the frames in relation to each other to get everything square and true for this and the following stage.

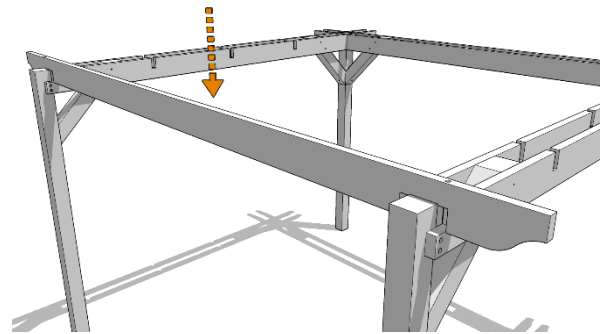
THE DOUBLE PREMIUM PERGOLA

Step 27



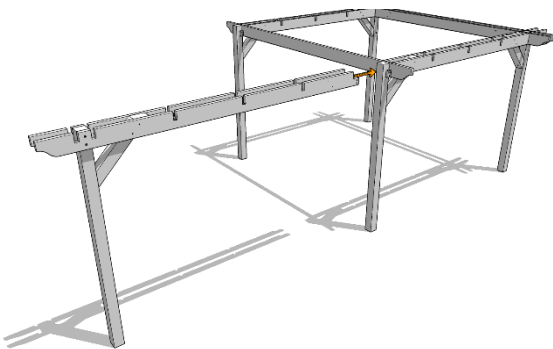
Once everything is in position, secure each end of the rafters in place with a 120mm coachscrew, driven down into the runner.

Step 28



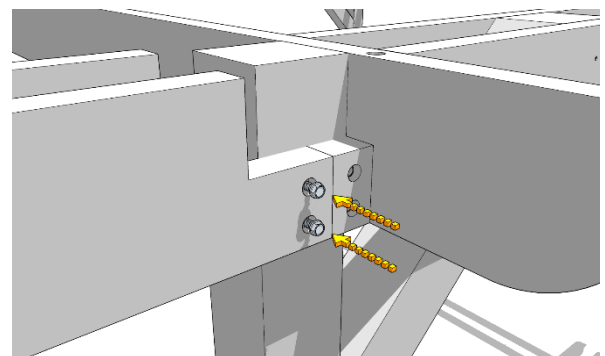
Now drop a plain rafter into place at the other end of the assembly so that it butts up against the inner face of the posts, before securing each end in place with a 120mm coachscrew.

Step 29



Add one of the partial "Goalpost" assemblies to the structure...

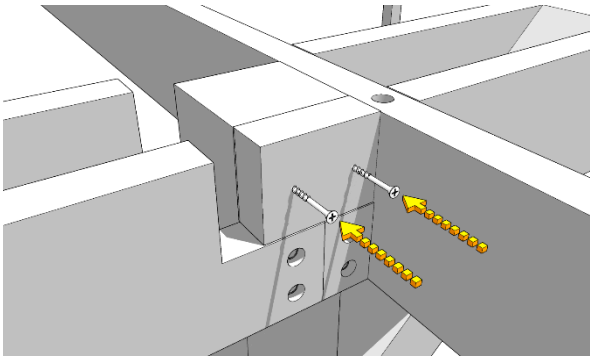
Step 30



...sliding the two runner ends so that they meet the existing runners before securing with 2 x 70mm coachscrews driven through each runner into the post.

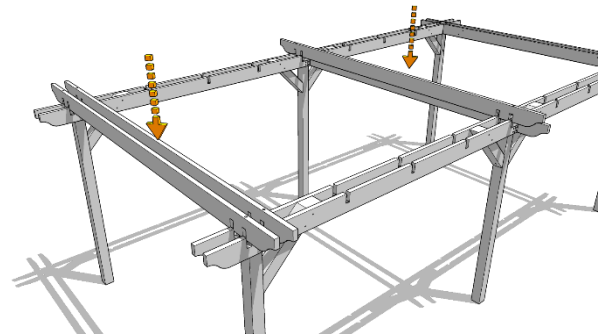
THE DOUBLE PREMIUM PERGOLA

Step 31



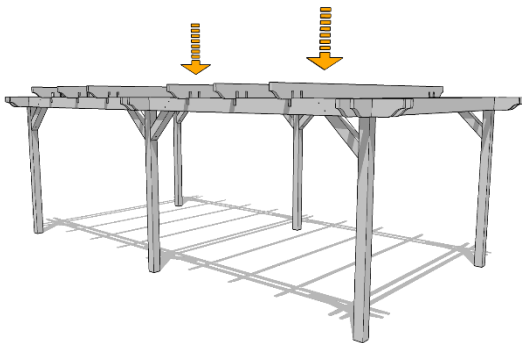
Carefully line up one of the runner blocks with the post and secure in place with 2 x 75mm woodscrews. Then add a second block to the opposite side of the post in the same manner.

Step 32



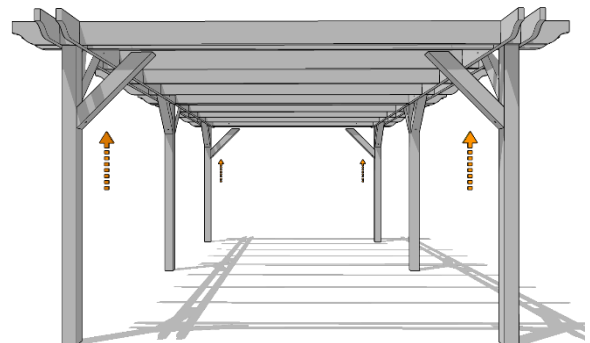
Add the second partial "Goalpost" and runner blocks to the structure, securing them in place as with 4 x 70mm coachscrews and 4 x 75mm woodscrews. Now add the remaining pair of Outer pre-drilled rafters and attaching them with 4 x 120mm coachscrews as before. Drop a plain rafter into the unfilled slot at the centre posts and secure in place with a 120mm coachscrew at each end.

Step 33



Add any remaining rafters into the unfilled slots, securing them with a 120mm coachscrew at each end.

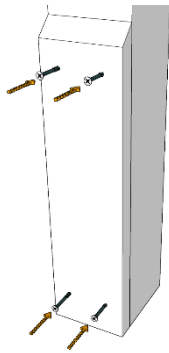
Step 34



Slide the remaining 650mm braces up between the outer rafters so that the top edge is flush with the top of the rafter and the lower face butted up against the post before securing each one in place with a 70mm coachscrew into the post and a pair of 70mm wood screws through the rafter into the brace.

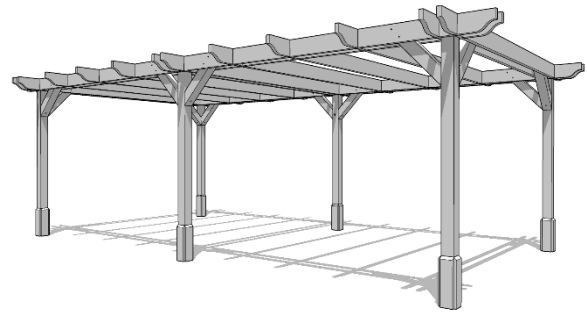
THE DOUBLE PREMIUM PERGOLA

Step 35



To attach cladding panels simply align as shown at the base of the post before screwing into place using 4 x green woodscrews through the pre-drilled holes per panel. Repeat for each face of the post.

Step 36



Your Rutland Premium Double pergola is now complete.

WE HOPE THAT YOU FOUND YOUR PRODUCT QUICK AND EASY TO ASSEMBLE BUT IF NOT AND YOU REQUIRE ANY FURTHER ASSISTANCE OR HAVE ANY QUESTIONS YOU CAN CONTACT US BY TELEPHONE ON: 01778 440803

EMAIL: INFO@RUTLANDCOUNTYGARDENFURNITURE.CO.UK

WWW.RUTLANDCOUNTYGARDENFURNITURE.CO.UK