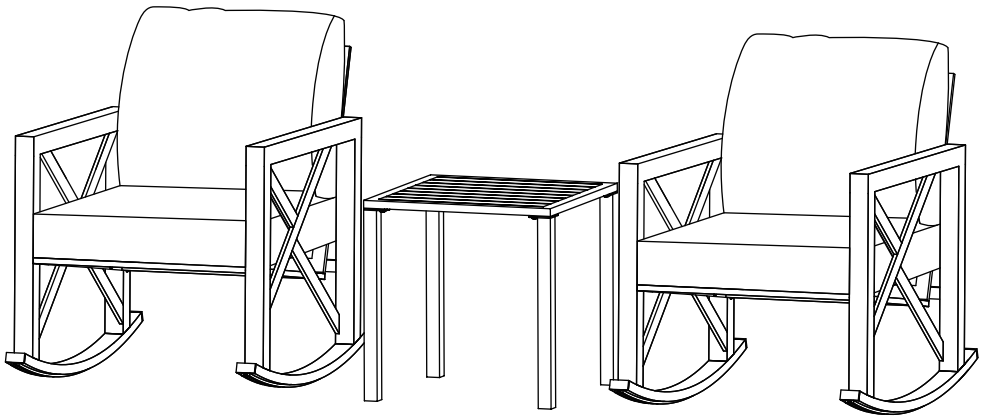


INSTRUCTION

3 PIECE ROCKING BISTRO SET



After-sales mailbox:
Patiofurnituresteam@outlook.com

NOTICE

Please keep these instructions for future reference.

Dear Customer

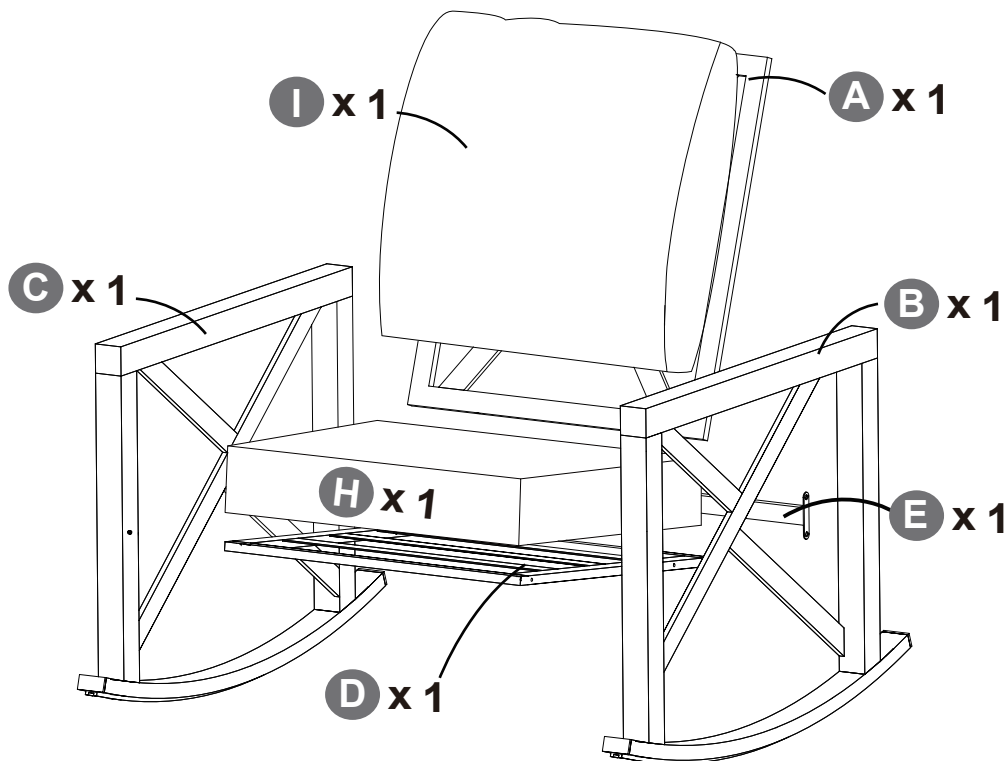
- Thank you for your purchase. When you receive the product, please make sure that all the parts are intact. Then follow the entire installation instructions to install!
- Please install under viewing the instruction, if you have some problem below, contact our customer service first.
 - A . The outer box is damaged
 - B . The product is damaged / bent / cracked while you open the box
 - C . The parts / accessories / assembly tools are missing
 - D . The instructions are not clear and can not be referred
 - E . The product has functional problems
 - F . Other aspects that you are not satisfied with



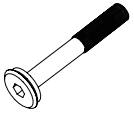

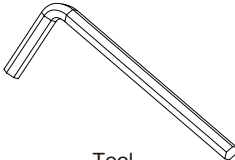
Please feel free to contact us for help. Our after-sales team service

(**Patiofurniture Serviceteam@outlook.com**) will reply within 24 hours and will do our best to resolve the problem for you.



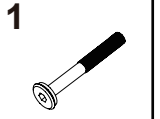
PART LIST



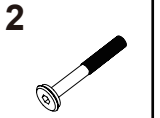
<p>1</p>  <p>M6*50MM</p> <p>x 4</p>	<p>2</p>  <p>M6*45MM</p> <p>x 2</p>	<p>3</p>  <p>M6*30MM</p> <p>x 2</p>
<p>4</p>  <p>M6*15MM</p> <p>x 4</p>	<p>5</p>  <p>Tool</p> <p>x 1</p>	

STEP

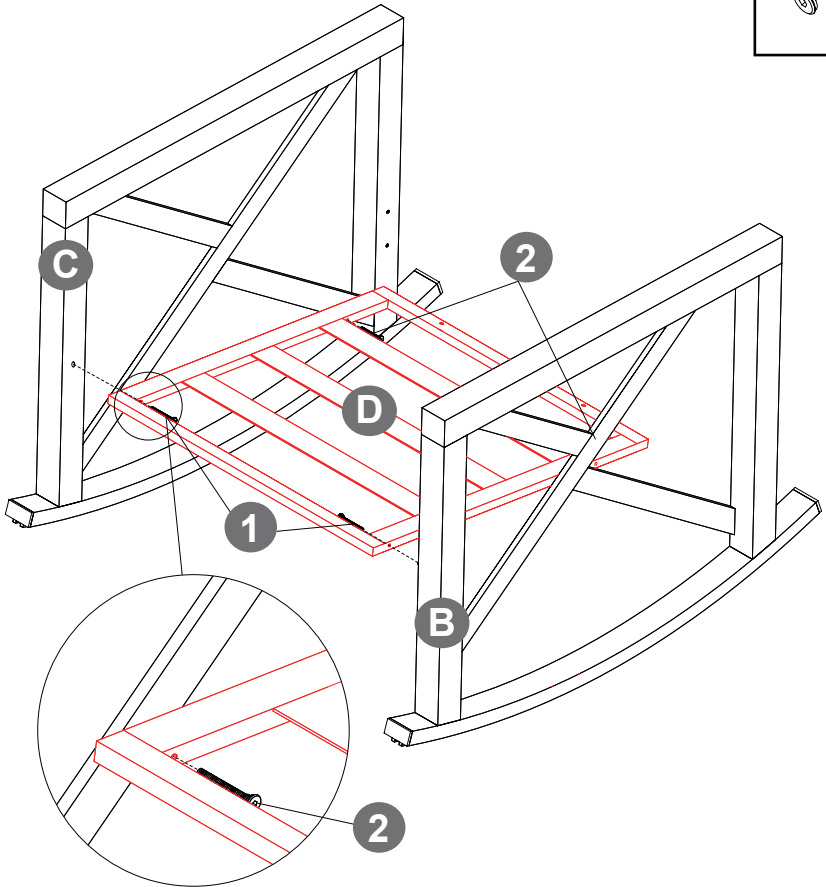
1



2PCS

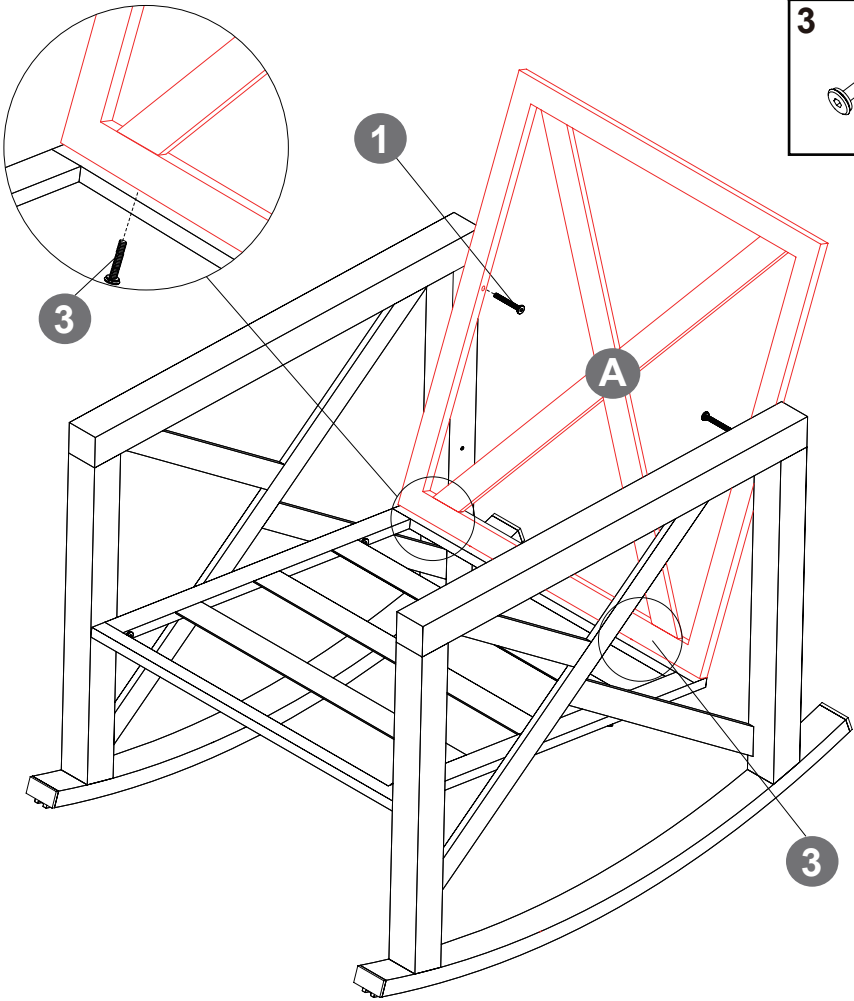




2PCS



STEP

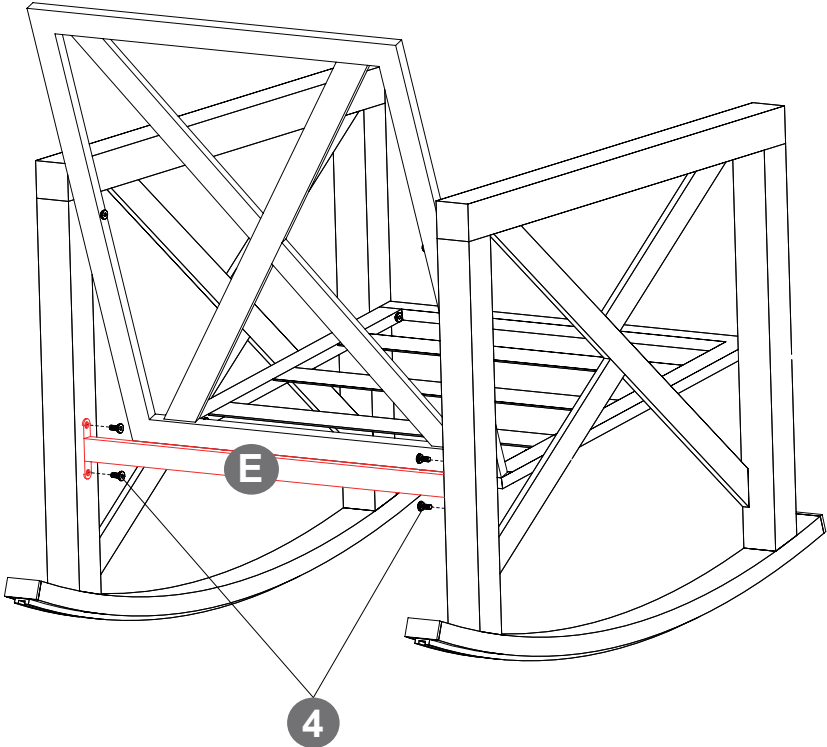
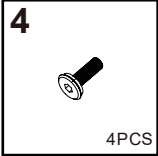
2



1		2PCS
3		2PCS

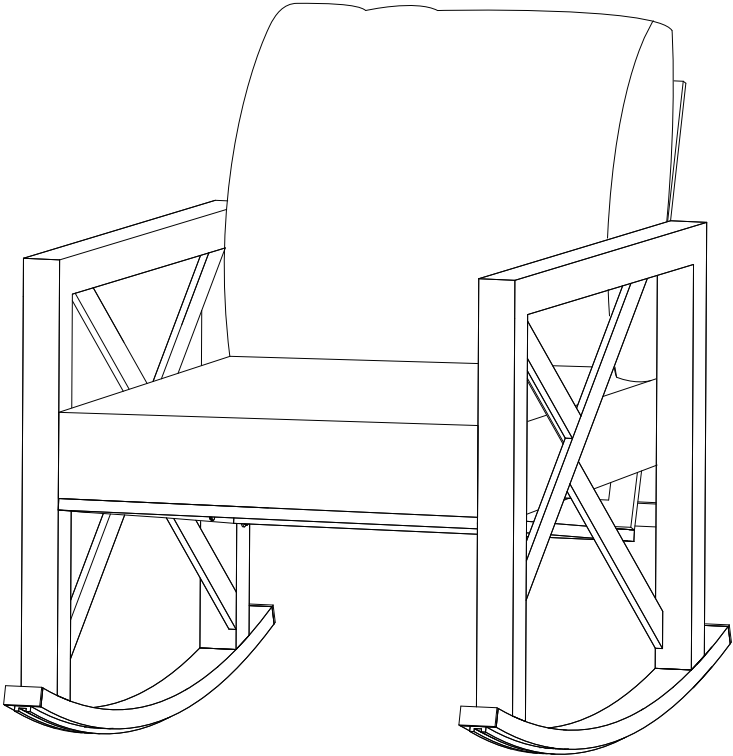
STEP

3

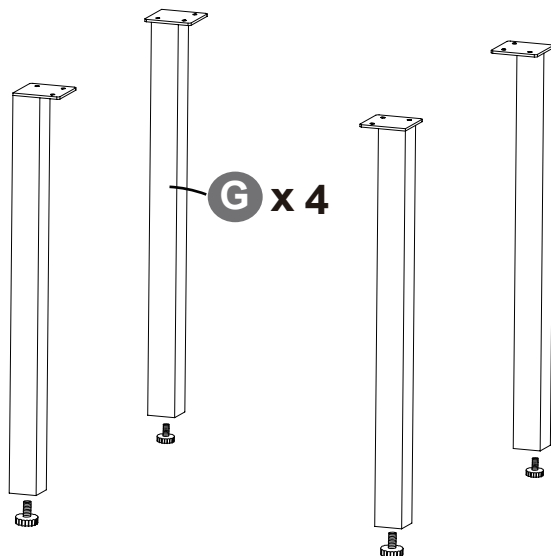
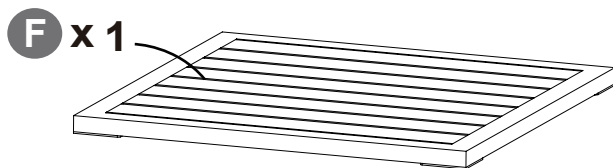


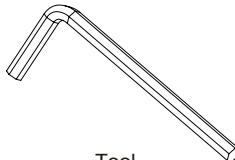


STEP

4



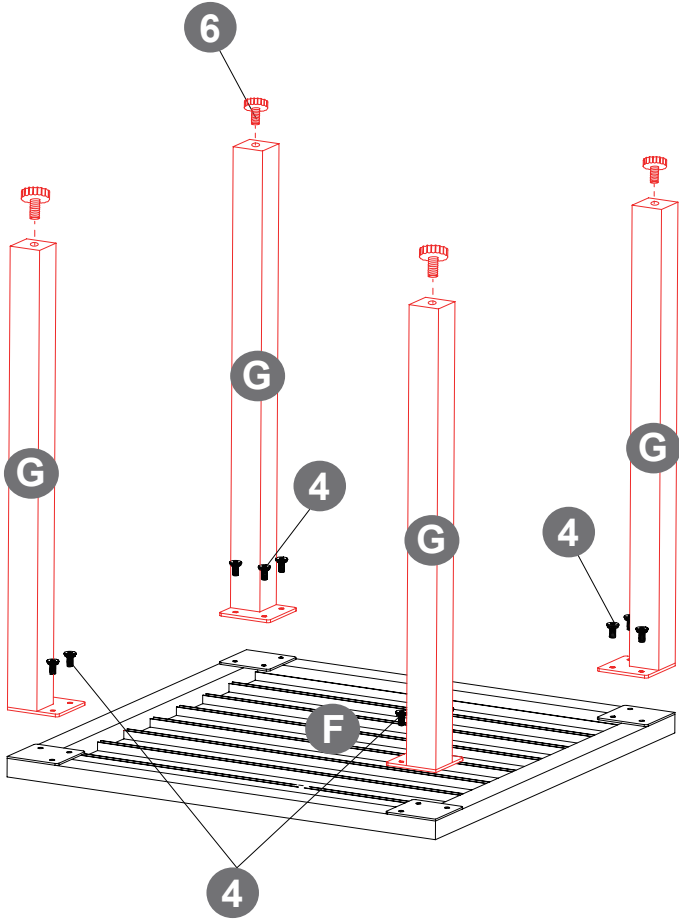
PART LIST



<p>3</p>  <p>Tool</p> <p>x 1</p>	<p>4</p>  <p>M6*15MM</p> <p>x12</p>	<p>6</p>  <p>x 4</p>
--	---	--

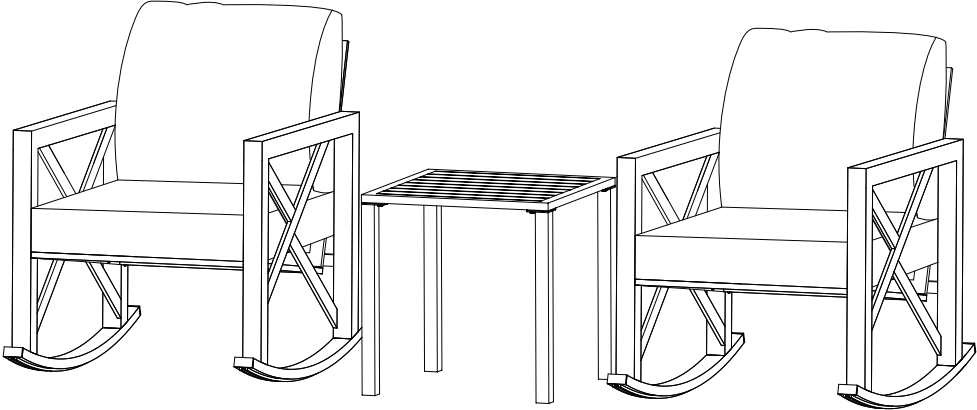
STEP

1



STEP

2



AFTER-SALE SERVICE

If you have any suggestions for our products or find that the products have quality problems, please contact us first, our after-sales team will reply you within 24 hours, and we will do our best to give you solutions until you are satisfied.

Guaranteed Customer Service

Your shopping experience is very important to us!
Feel unsatisfied? **Contact us!**

Have any questions? such as **MISSING PARTS** or **DAMAGED PRODUCTS? Contact us!**

Wanna Share how wonderful our smart promakes your home?

Share your pictures with us.

Any suggestions? **Contact us!**

We gotcha back!



Patiofurniture Serviceteam@outlook.com

