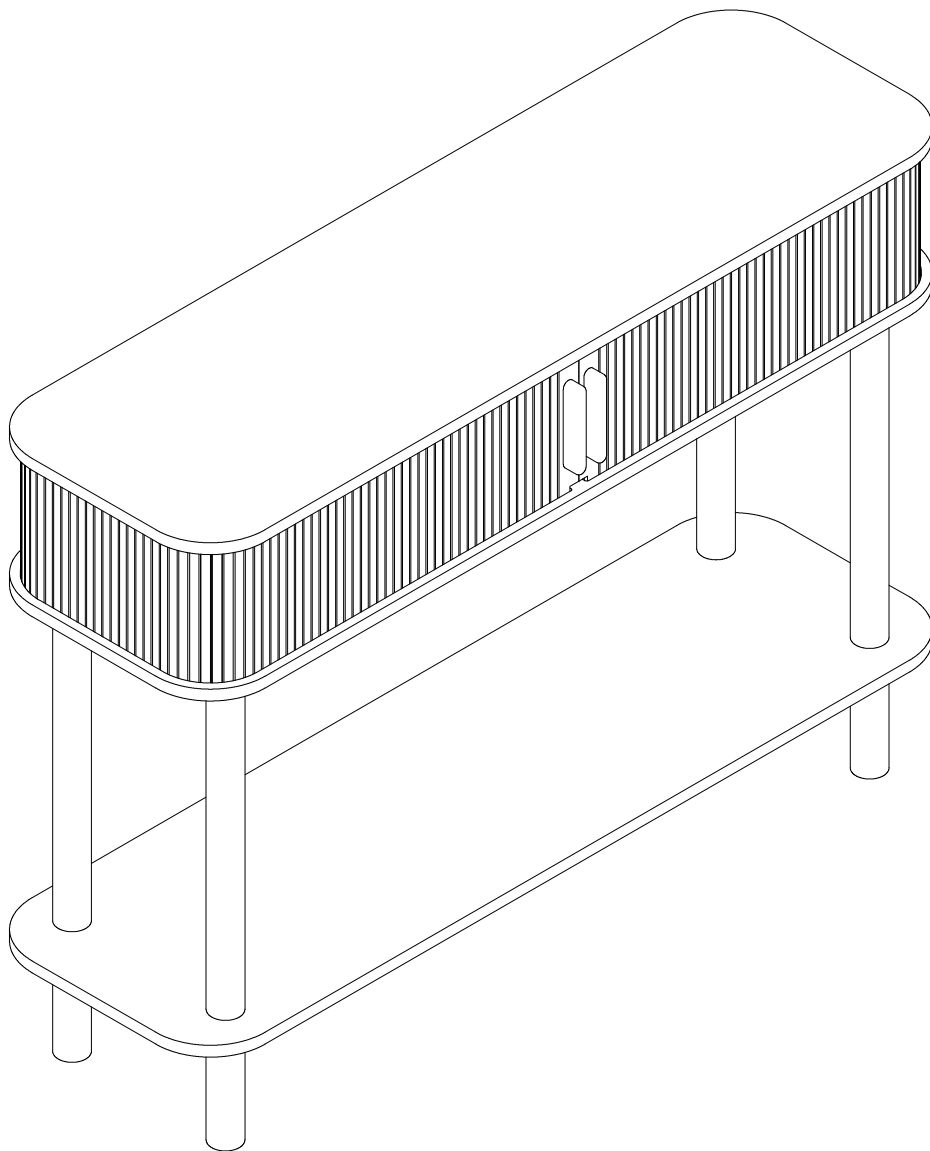

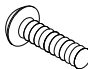
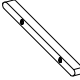

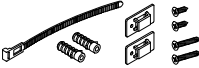


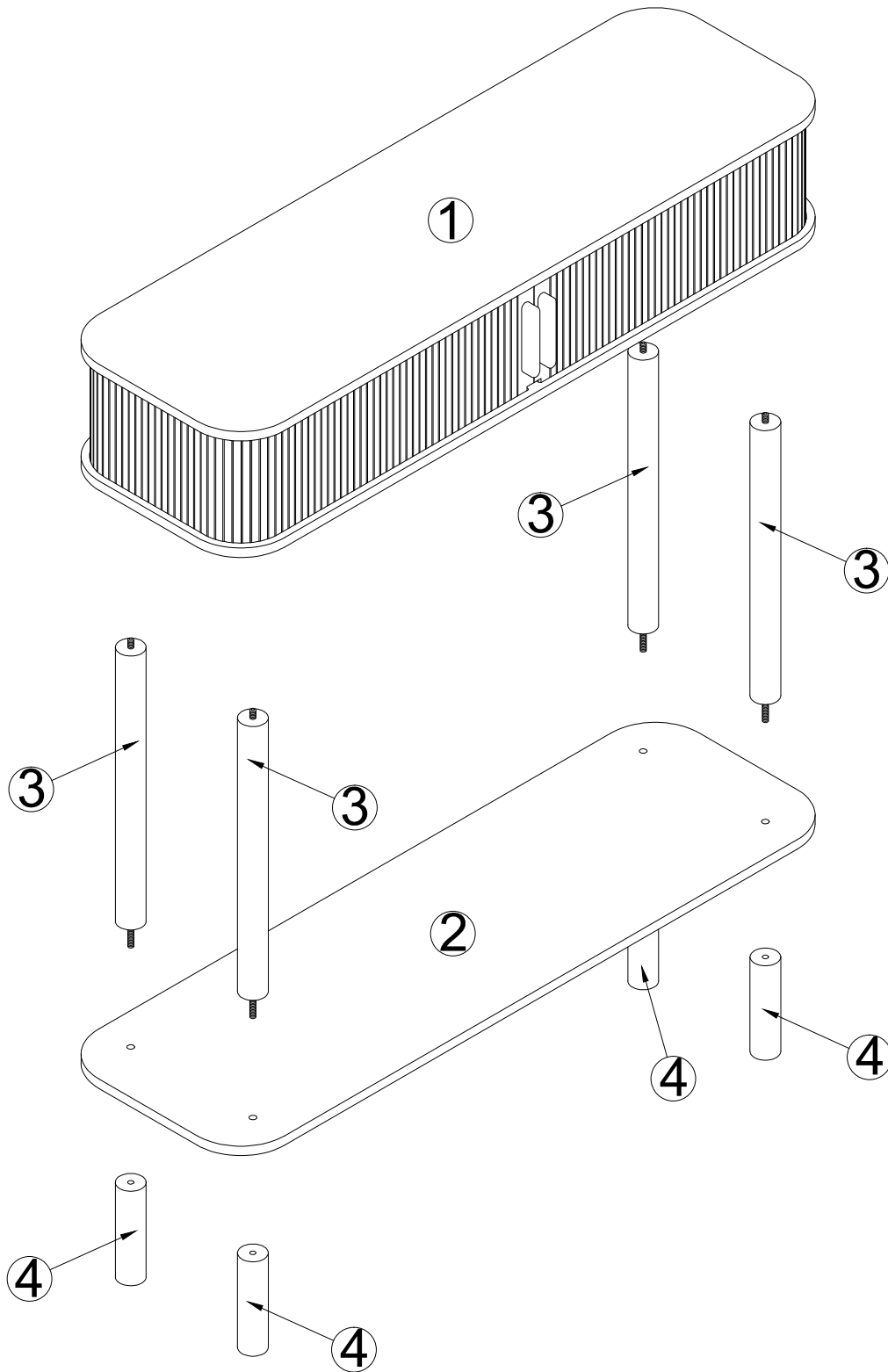
# Assembly Instructions



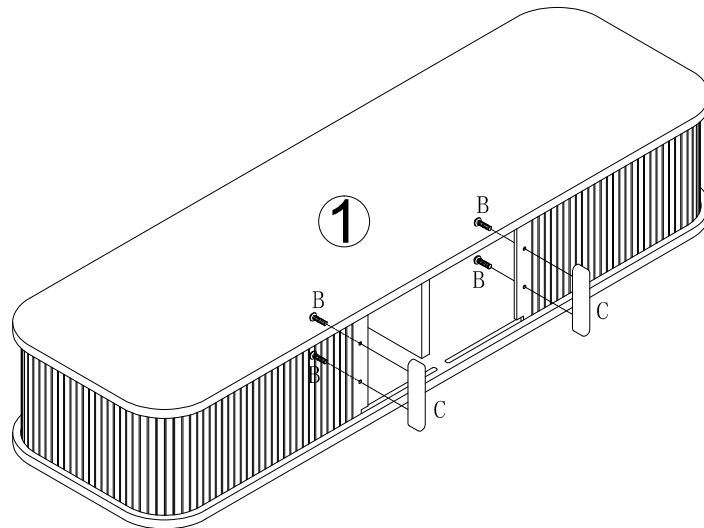
# Part List

<p>No. A Quantity:10 Pcs Sticker Ø20</p> 	<p>No. B Quantity:4 Pcs Screw M4*10mm</p> 	<p>No. C Quantity:2 Pcs Handle 110*20mm</p> 	<p>No. D Quantity:4 Pcs Foot Pad Ø20</p> 
<p>No. E Quantity:1 Sets Anti-falling Parts</p> 			

# Product structure



# STEP 1



No. B  
Quantity: 4 Pcs  
M4\*10mm

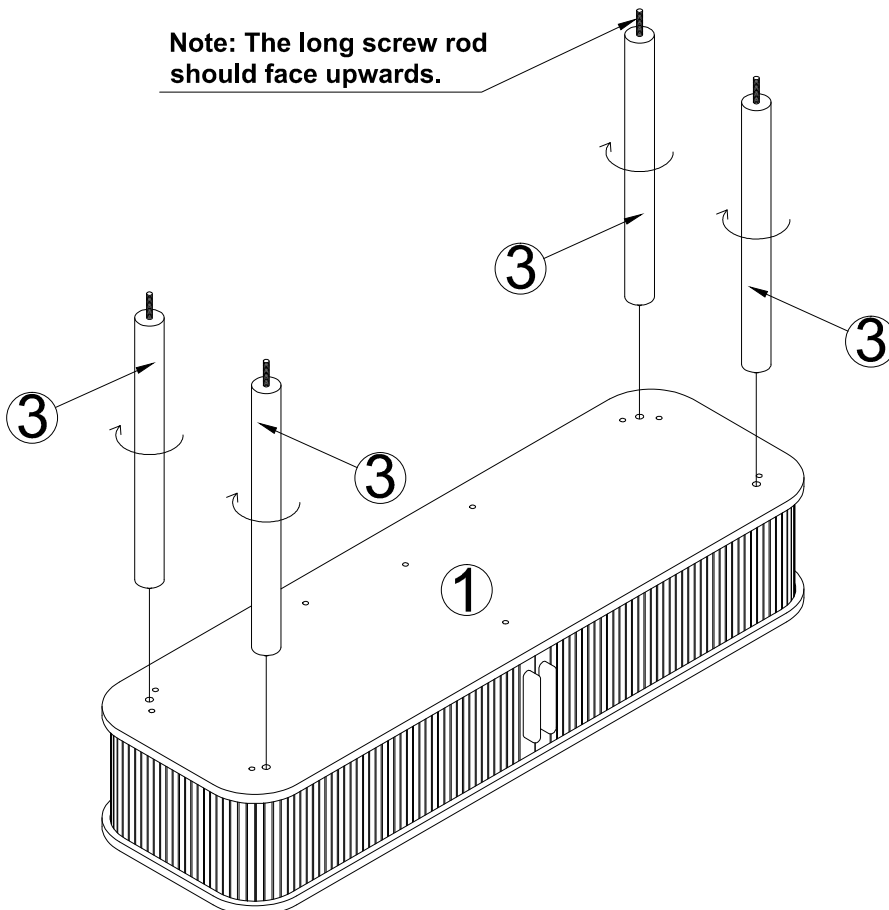


No. C  
Quantity: 2 Pcs  
110\*20mm

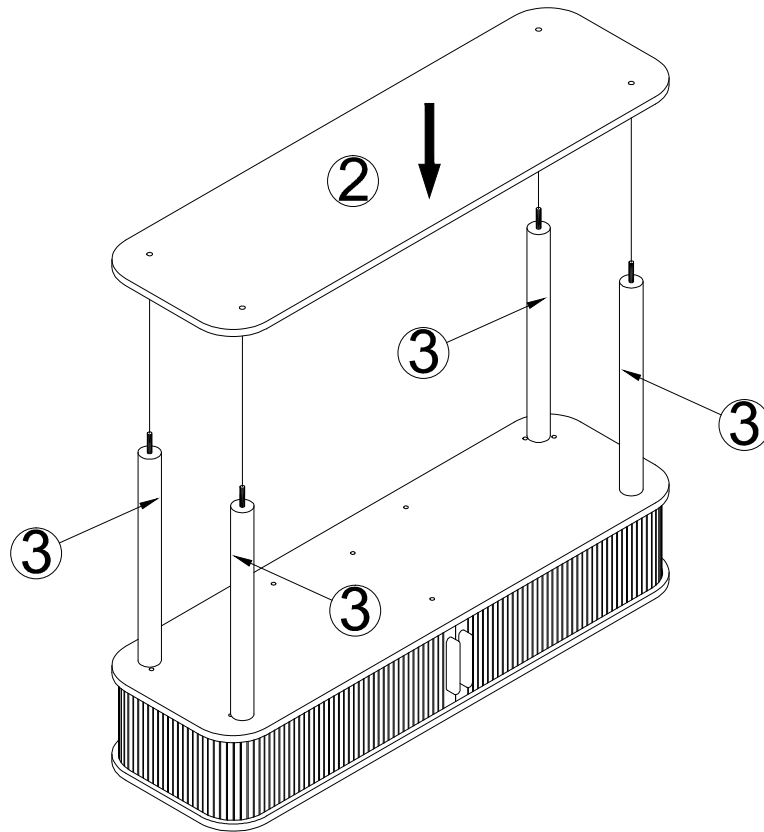


# STEP 2

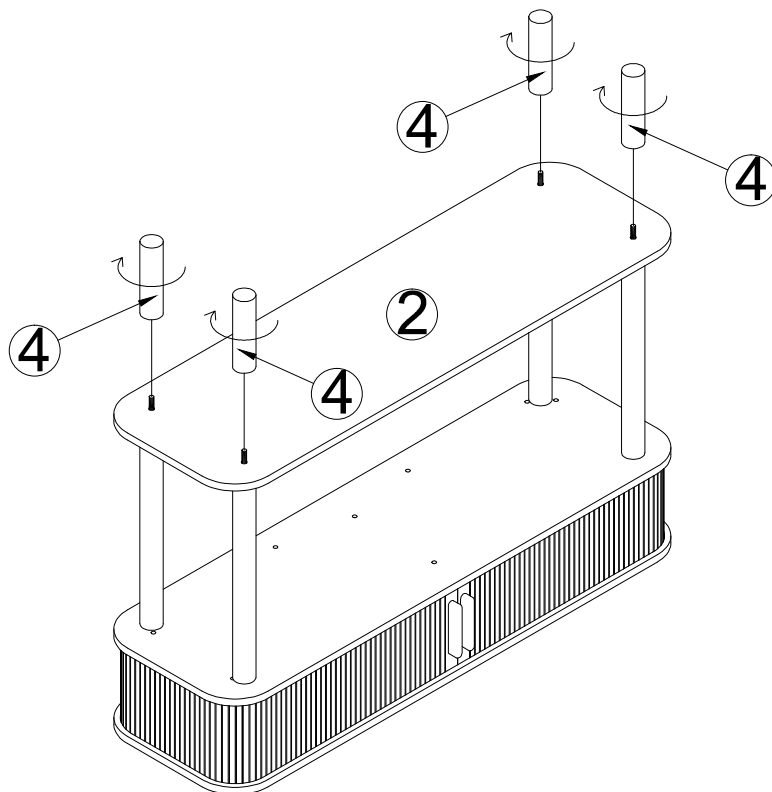
**Note: The long screw rod should face upwards.**



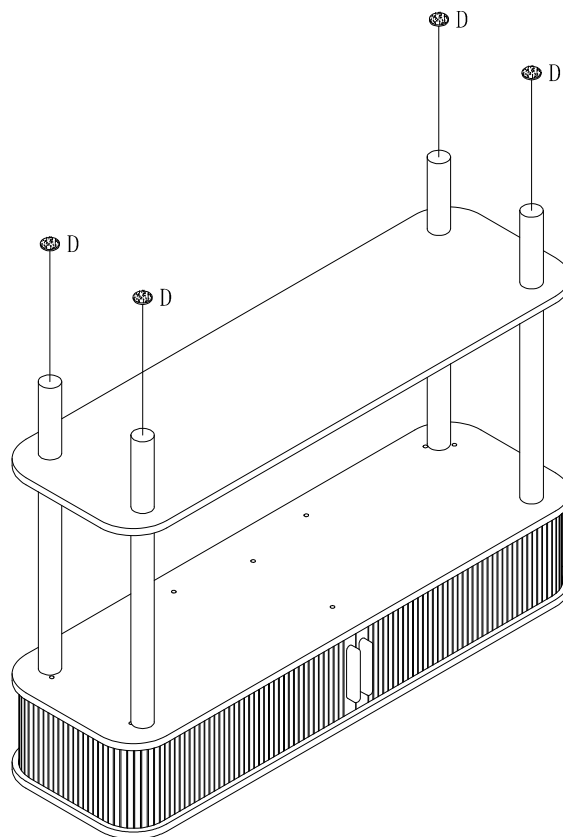
## STEP 3



## STEP 4



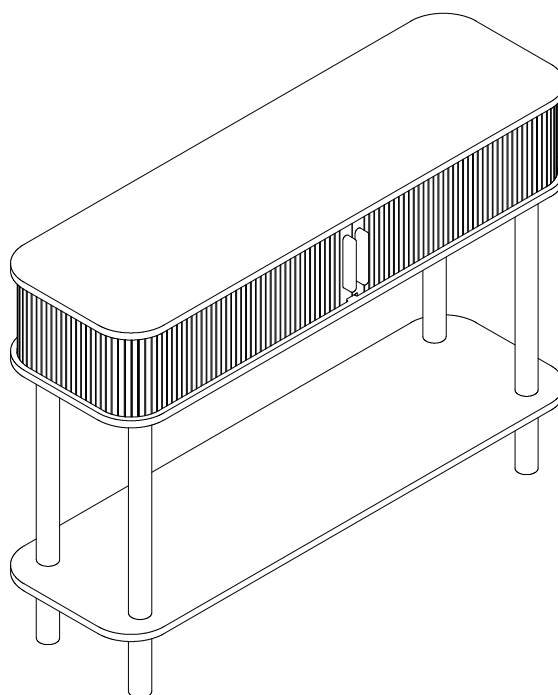
# STEP 5



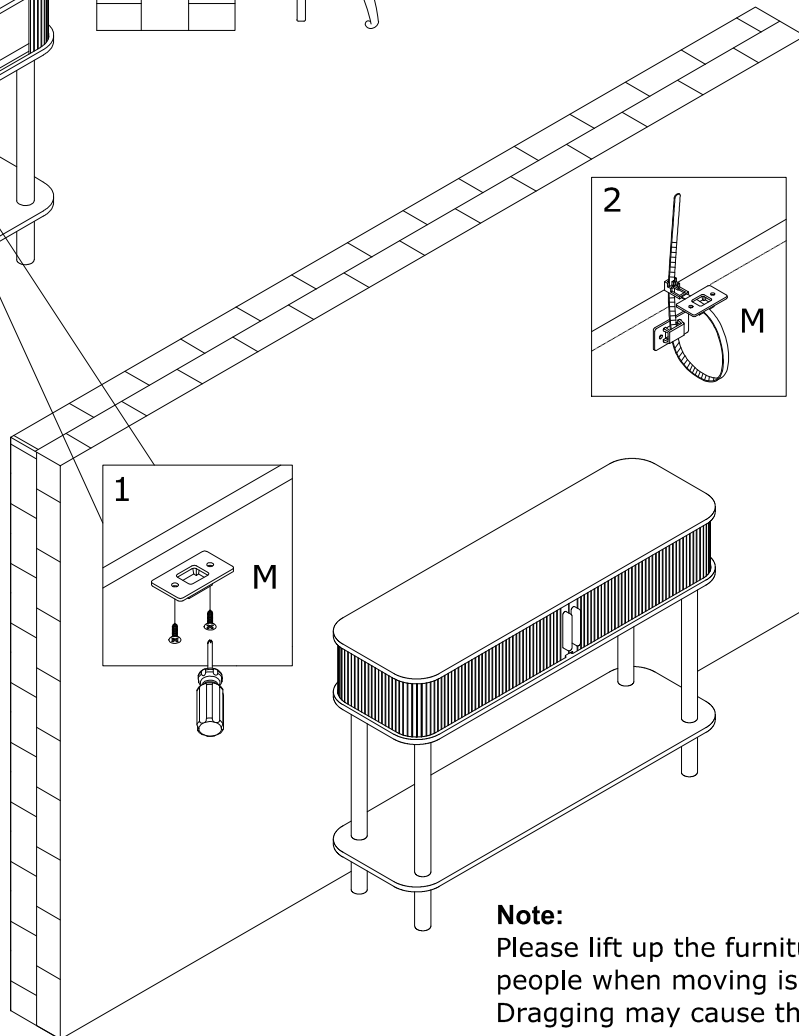
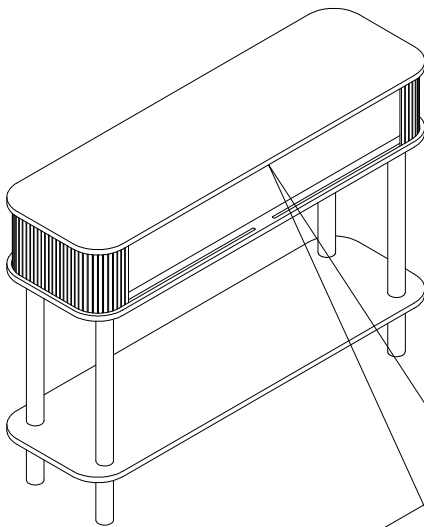
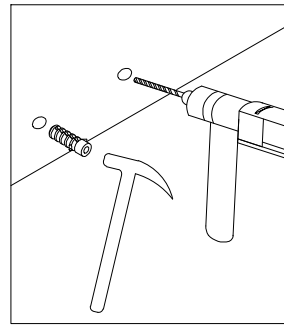
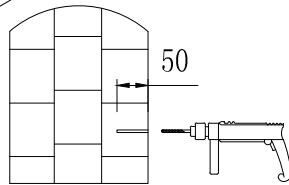
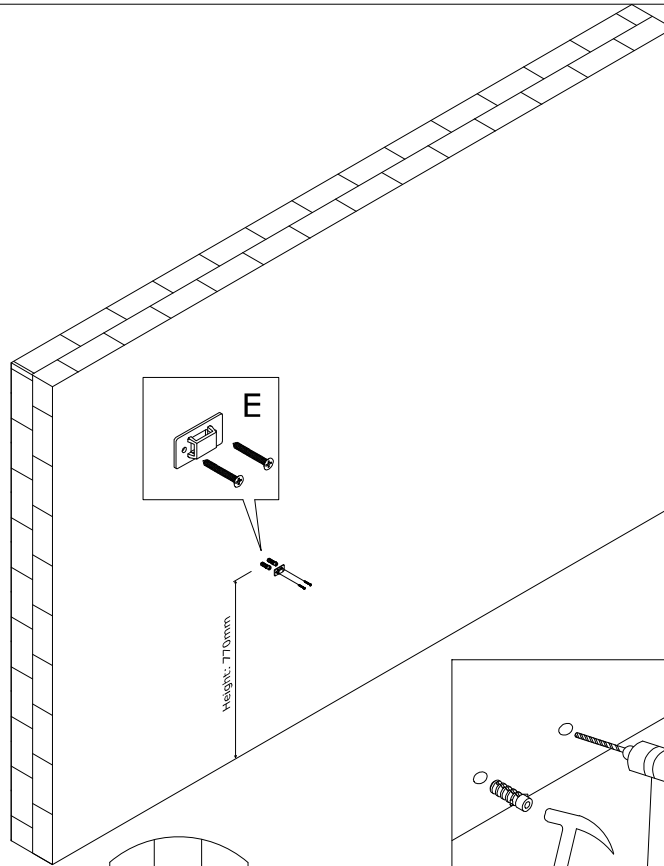
No. D  
Quantity: 4 Pcs  
Ø20



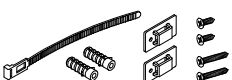
# STEP 6



# STEP 7



No. E  
Quantity: 1 Set



**Note:**  
Please lift up the furniture by two people when moving is needed.  
Dragging may cause the legs failure.