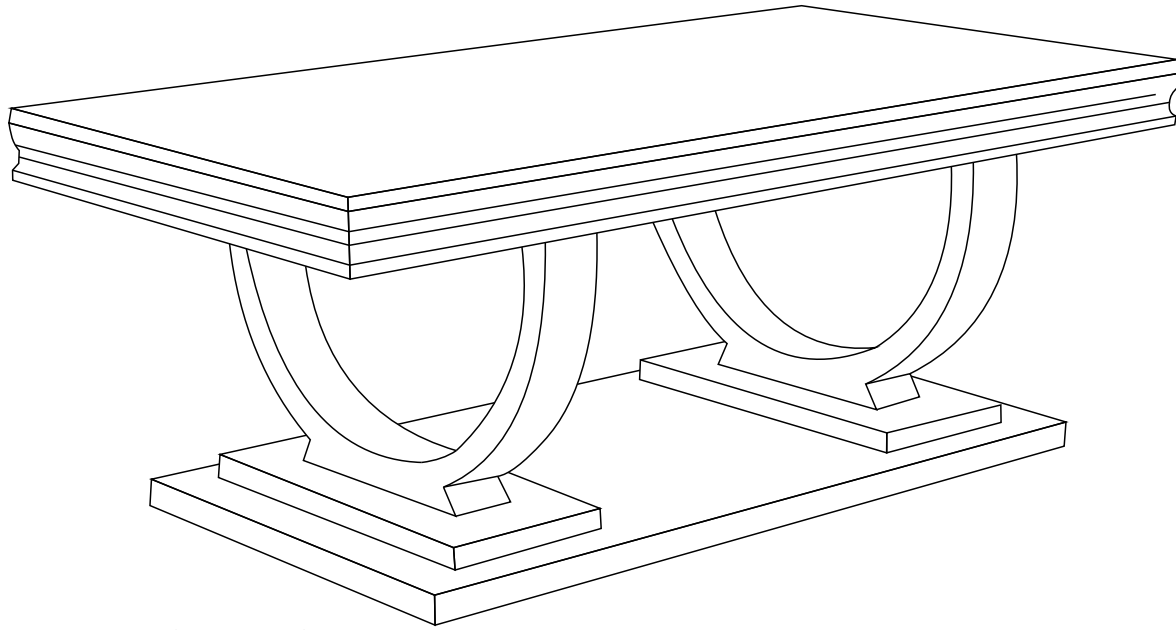










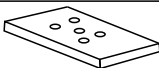

Assembly Instructions



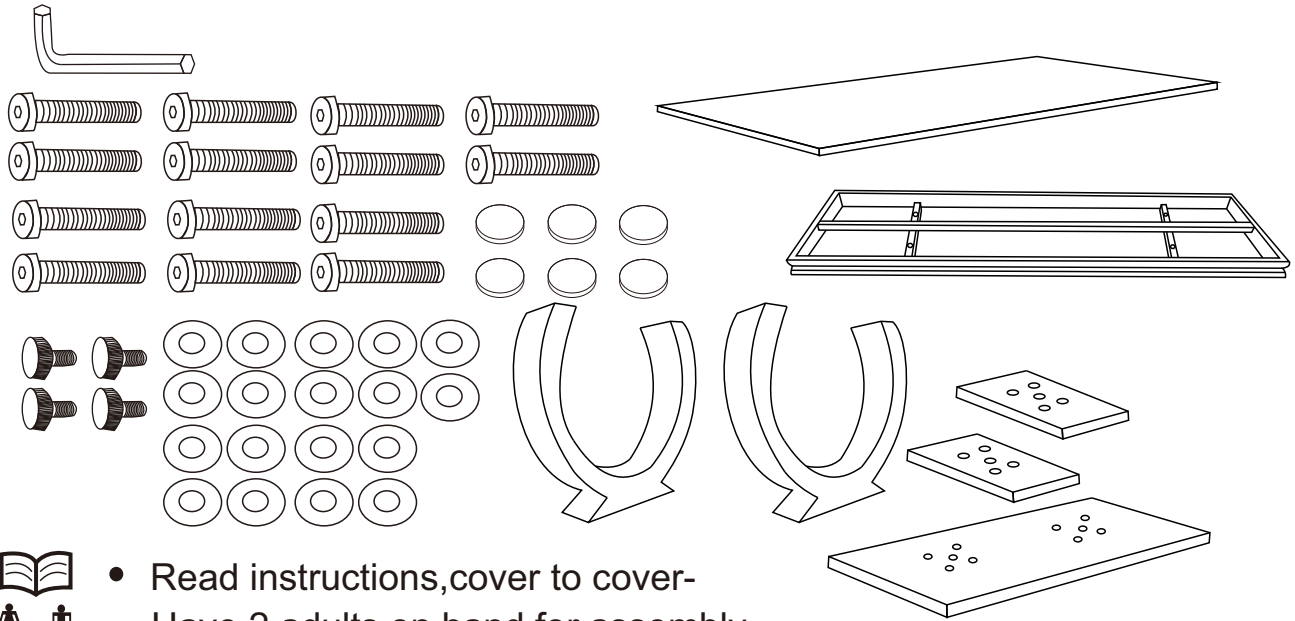
CAUTION:

Pls follow up the AI,when assemble the table leave your child away

Parts List

HARDWARE			
CODE	DESCRIPTION		QTY
A	SCREW: M8*50MM		14
B	FLAT WASHER: 8*18mm		14
C	ALLEN KEY: 8mm		1
D	ADJUSTING FOOT		4
E	Gasket		6
HARDWARE			
CODE	DESCRIPTION		QTY
1	Marble		1
2	TOP Frame		1
3	Legs		2
4	Bass Plate		2
5	Bass Plate		1

Assembly Preparation Before Beginning Assembly



• Read instructions, cover to cover-



• Have 2 adults on hand for assembly-



• Do not assemble on flooring or carpet-

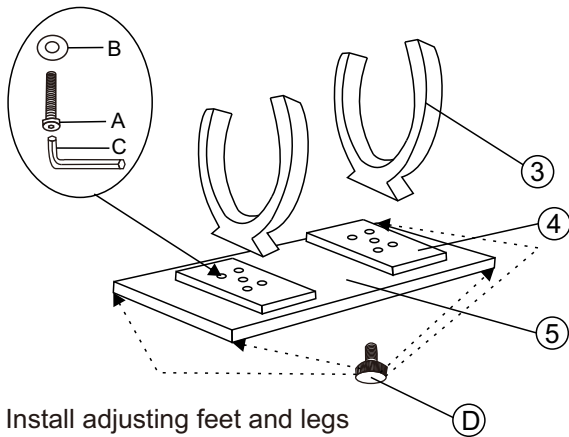
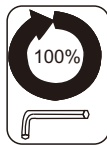


• Assemble on a clean non-marring surface (packing foam)-



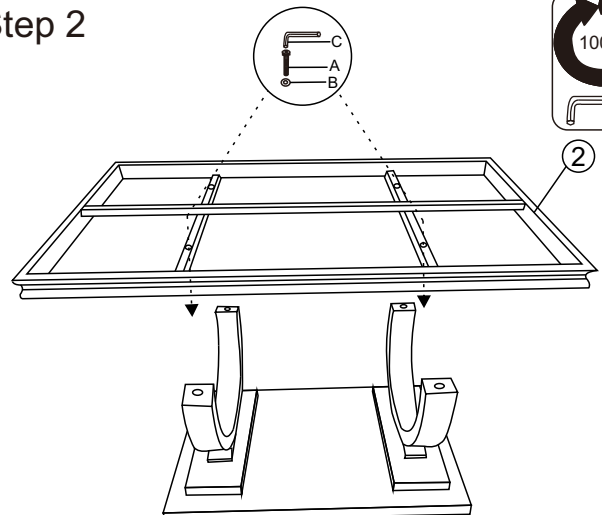
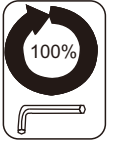
• Save all packaging until finished-

Step 1



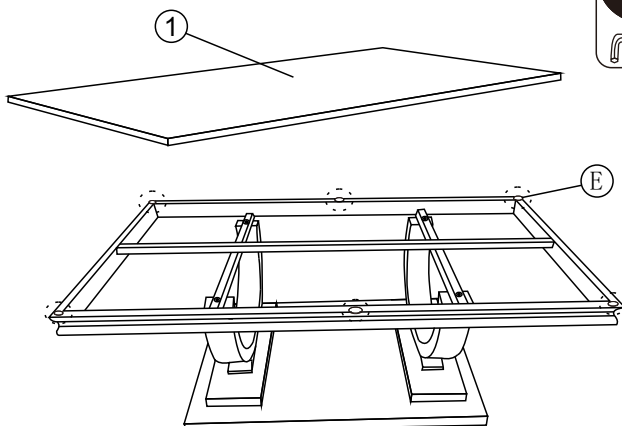
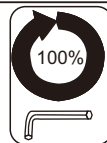
Install adjusting feet and legs

Step 2



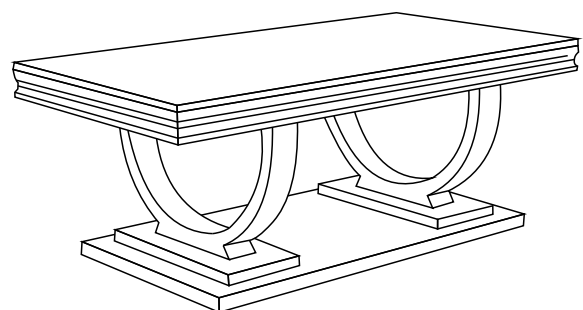
Install Top Frame

Step 3



Place the glass on the shelf where it has been installed

Step 4



To accomplish